



US00D659111S

(12) **United States Design Patent**  
**Bizzotto et al.**

(10) **Patent No.:** **US D659,111 S**

(45) **Date of Patent:** **\*\* May 8, 2012**

(54) **LIGHTING DEVICE**

(75) Inventors: **Alessandro Bizzotto**, Castelfranco Veneto (IT); **Filippo Branchetti**, Treviso (IT); **Peter Sachsenweger**, Zeitlarn (DE); **Alessandro Scordino**, Dolo (IT)

(73) Assignee: **OSRAM AG**, Munich (DE)

(\*\*) Term: **14 Years**

(21) Appl. No.: **29/356,977**

(22) Filed: **Mar. 5, 2010**

(30) **Foreign Application Priority Data**

Sep. 7, 2009 (EM) ..... 001165963

(51) **LOC (9) Cl.** ..... **13-03**

(52) **U.S. Cl.** ..... **D13/180**

(58) **Field of Classification Search** ..... D13/180;  
D26/1, 2; 257/79, 80, 81, 88, 89, 95, 98,  
257/99, 100, E33.058; 313/483, 498, 500;  
362/555, 800

See application file for complete search history.

(56) **References Cited**

U.S. PATENT DOCUMENTS

7,434,963 B2 \* 10/2008 Kaminski et al. .... 362/293  
7,578,600 B2 \* 8/2009 Czajkowski ..... 362/243

7,621,658 B2 \* 11/2009 Grotsch et al. .... 362/336  
D619,974 S \* 7/2010 Bianco et al. .... D13/180  
2003/0156416 A1 \* 8/2003 Stopa et al. .... 362/294  
2005/0111220 A1 \* 5/2005 Smith ..... 362/235  
2008/0036397 A1 \* 2/2008 Hockel et al. .... 315/294  
2009/0129073 A1 \* 5/2009 Yaw et al. .... 362/231  
2009/0296390 A1 \* 12/2009 Dubord ..... 362/240  
2009/0303715 A1 \* 12/2009 Takasago et al. .... 362/235

FOREIGN PATENT DOCUMENTS

EM 001080519-0001 1/2009

\* cited by examiner

*Primary Examiner* — Selina Sikder

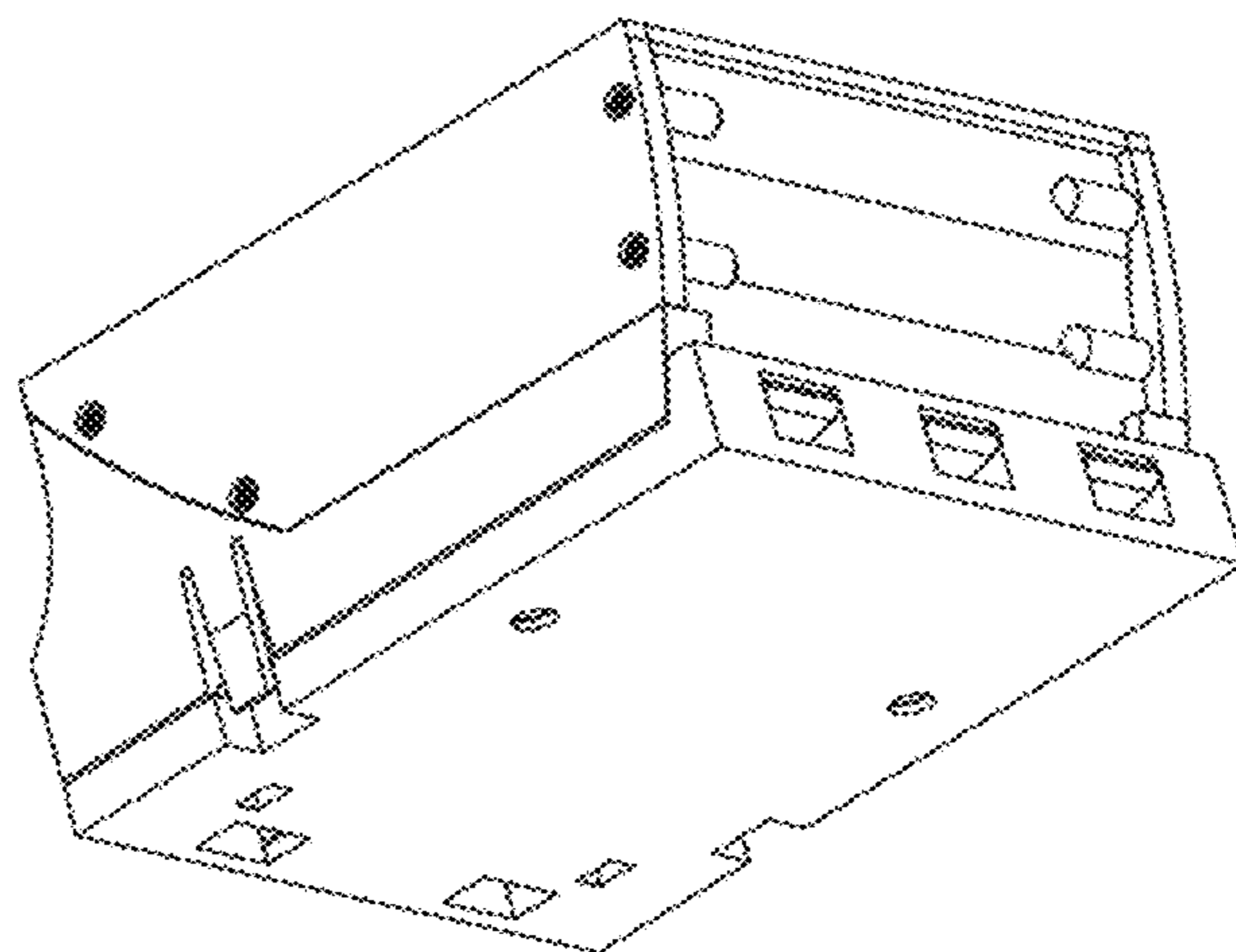
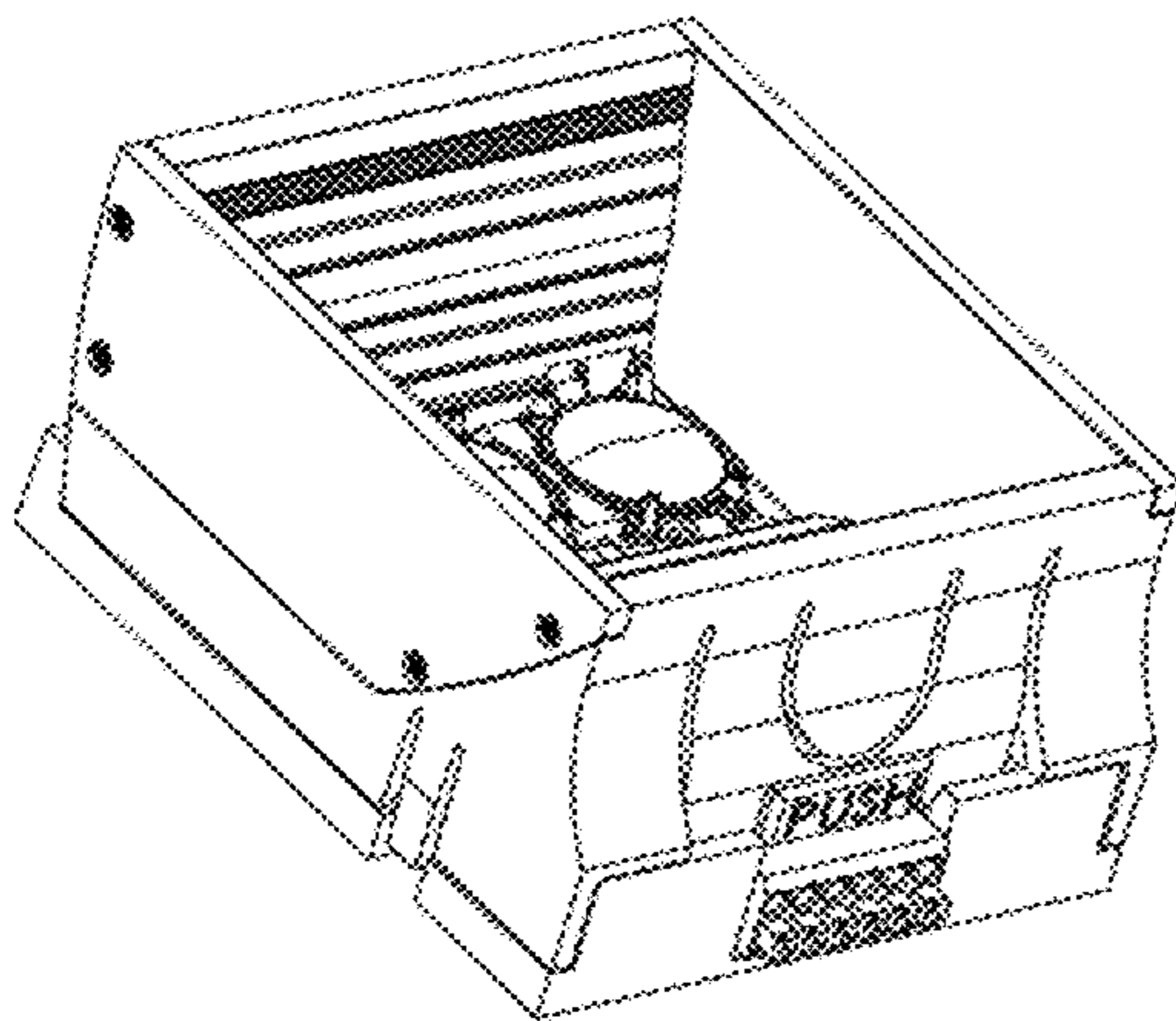
(57) **CLAIM**

The ornamental design for a lighting device, as shown and described.

**DESCRIPTION**

FIG. 1 is a front, left side and top perspective view of an embodiment of a lighting device showing the new design; FIG. 2 is a front elevational view thereof; FIG. 3 is a left side elevational view thereof; FIG. 4 is a rear side elevational view thereof; FIG. 5 is a right side elevational view thereof; FIG. 6 is a top plan view thereof; FIG. 7 is a bottom plan view thereof; and, FIG. 8 is a rear, right side and bottom perspective view of an embodiment of a lighting device showing the new design.

**1 Claim, 6 Drawing Sheets**



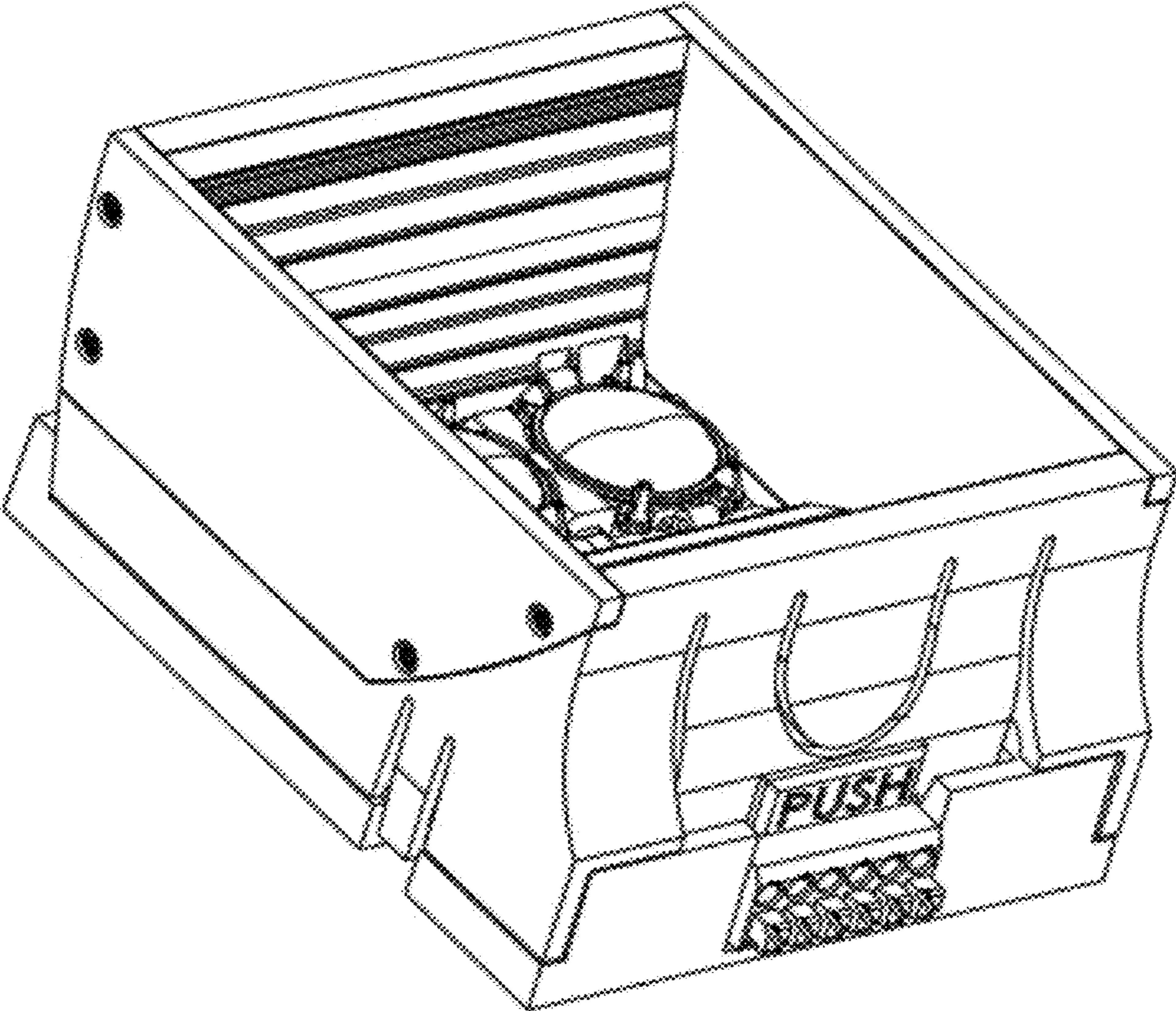


FIG. 1

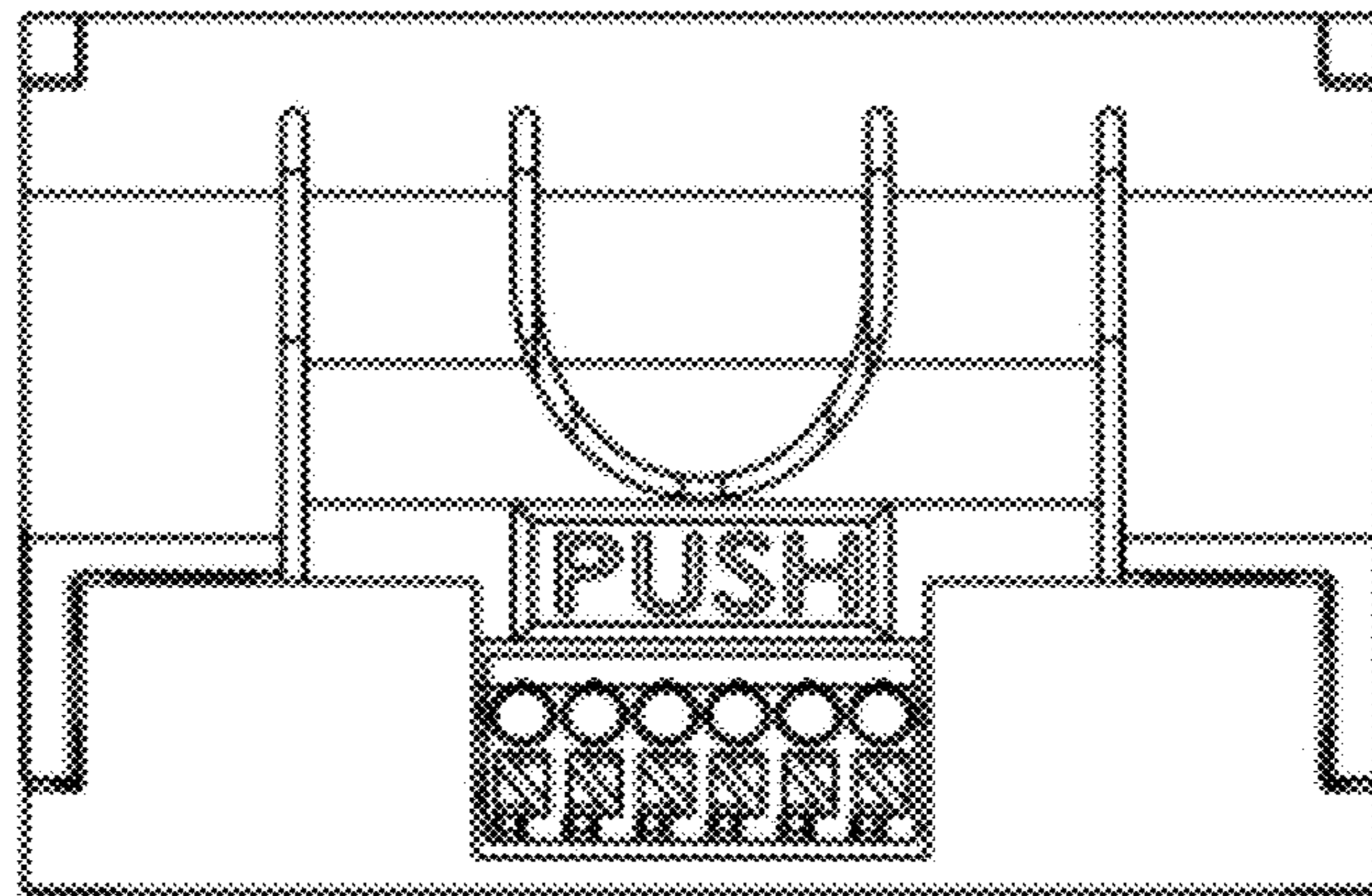


FIG. 2

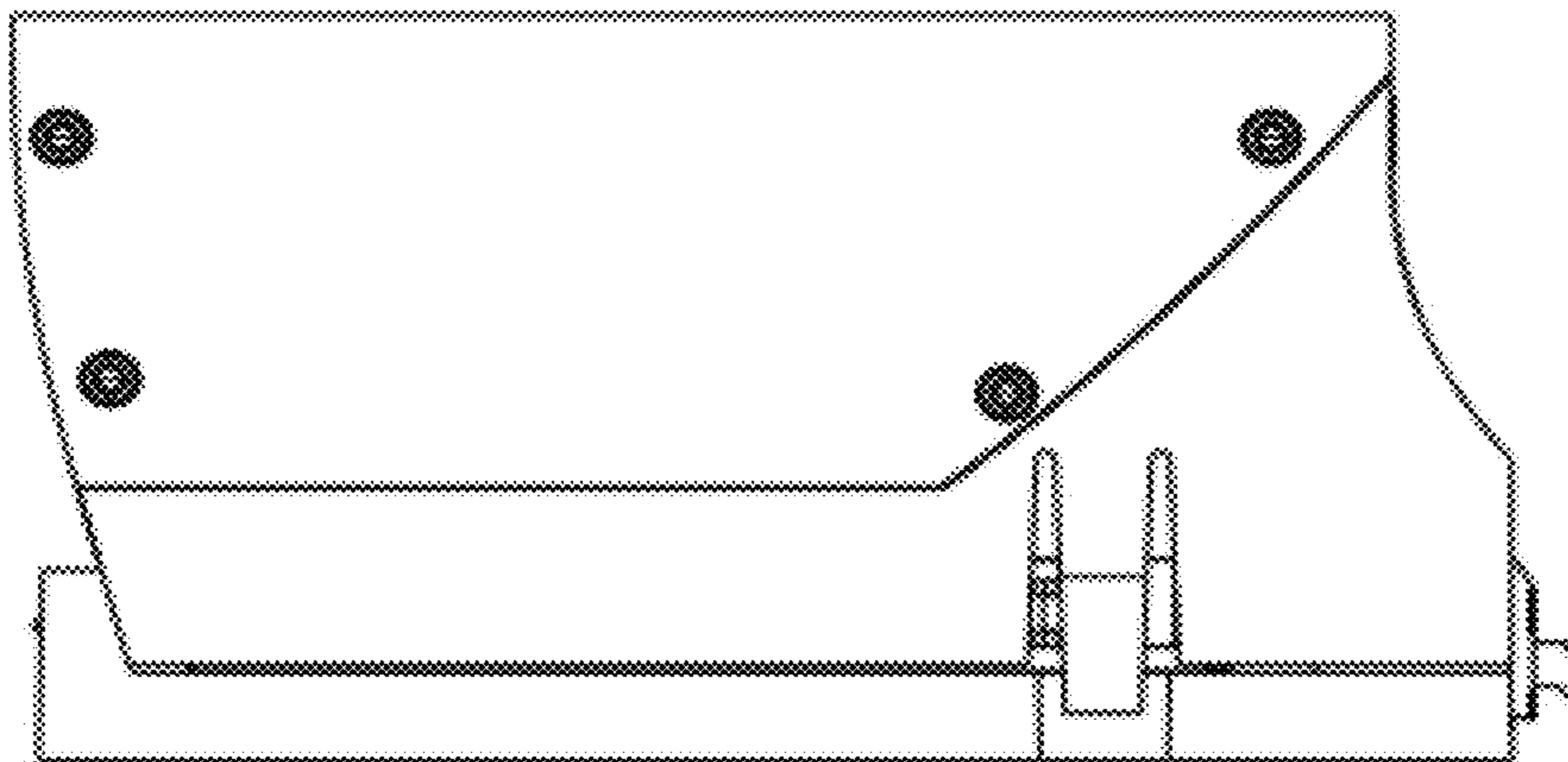


FIG. 3

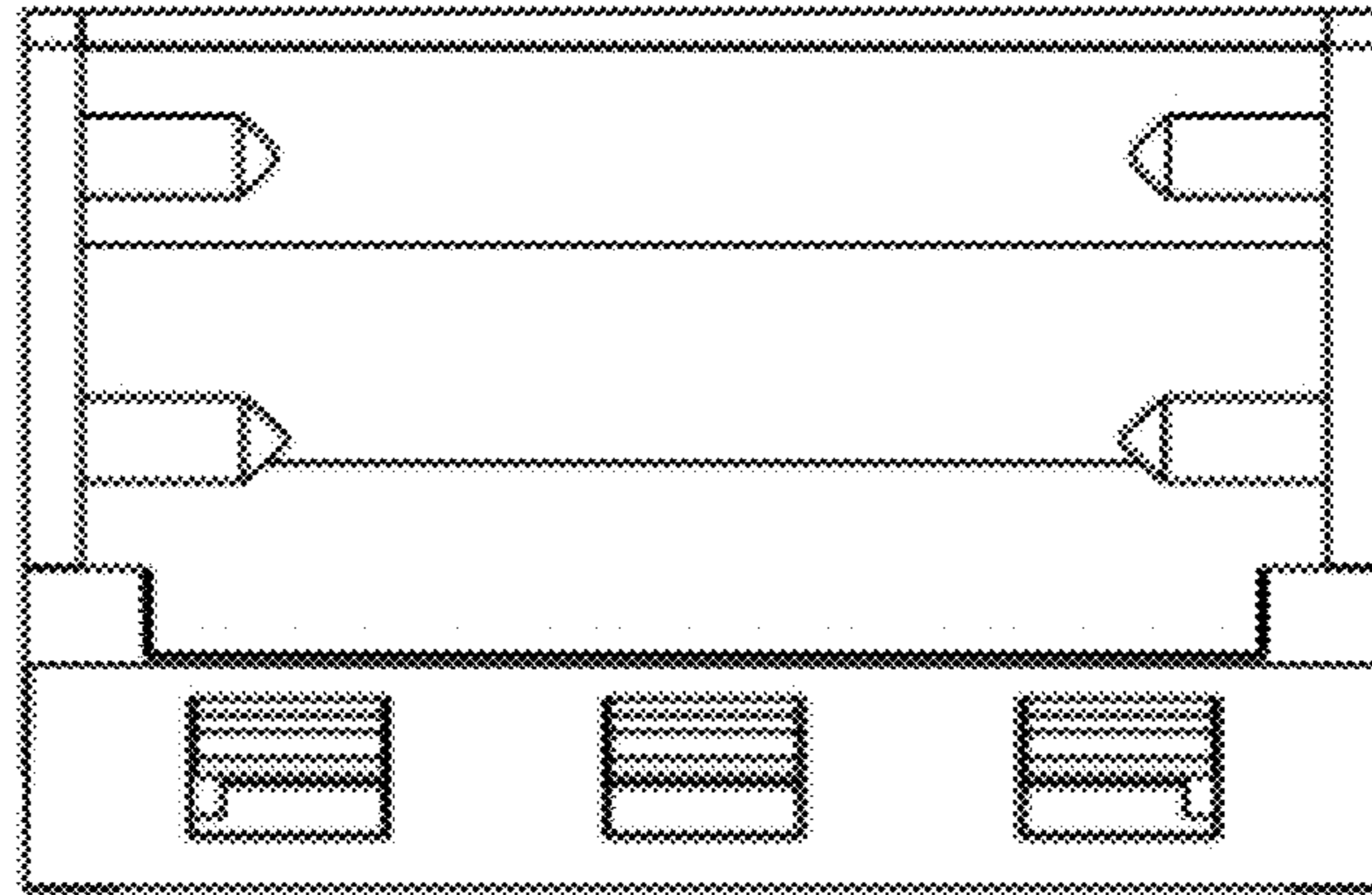


FIG. 4

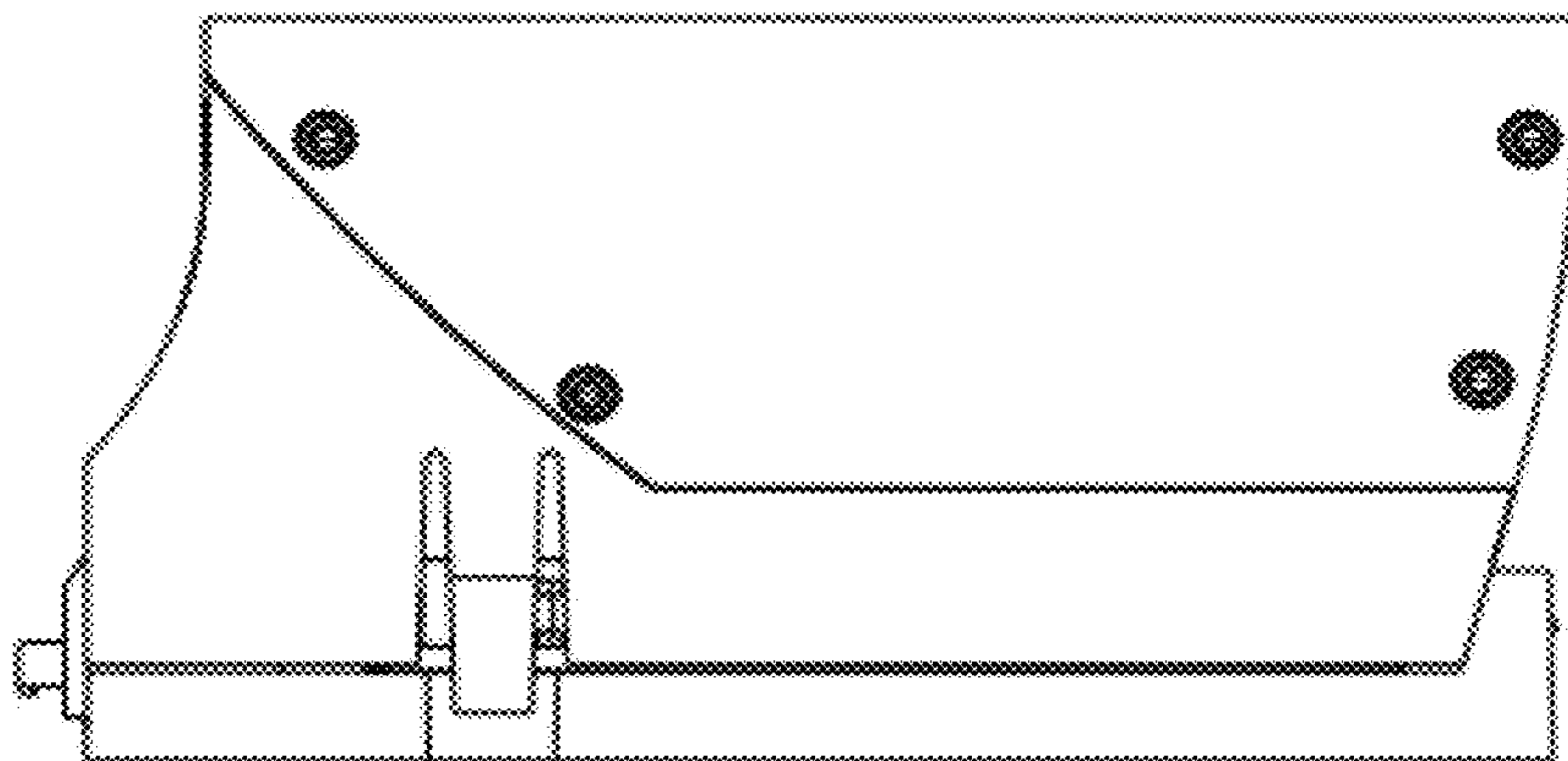


FIG. 5

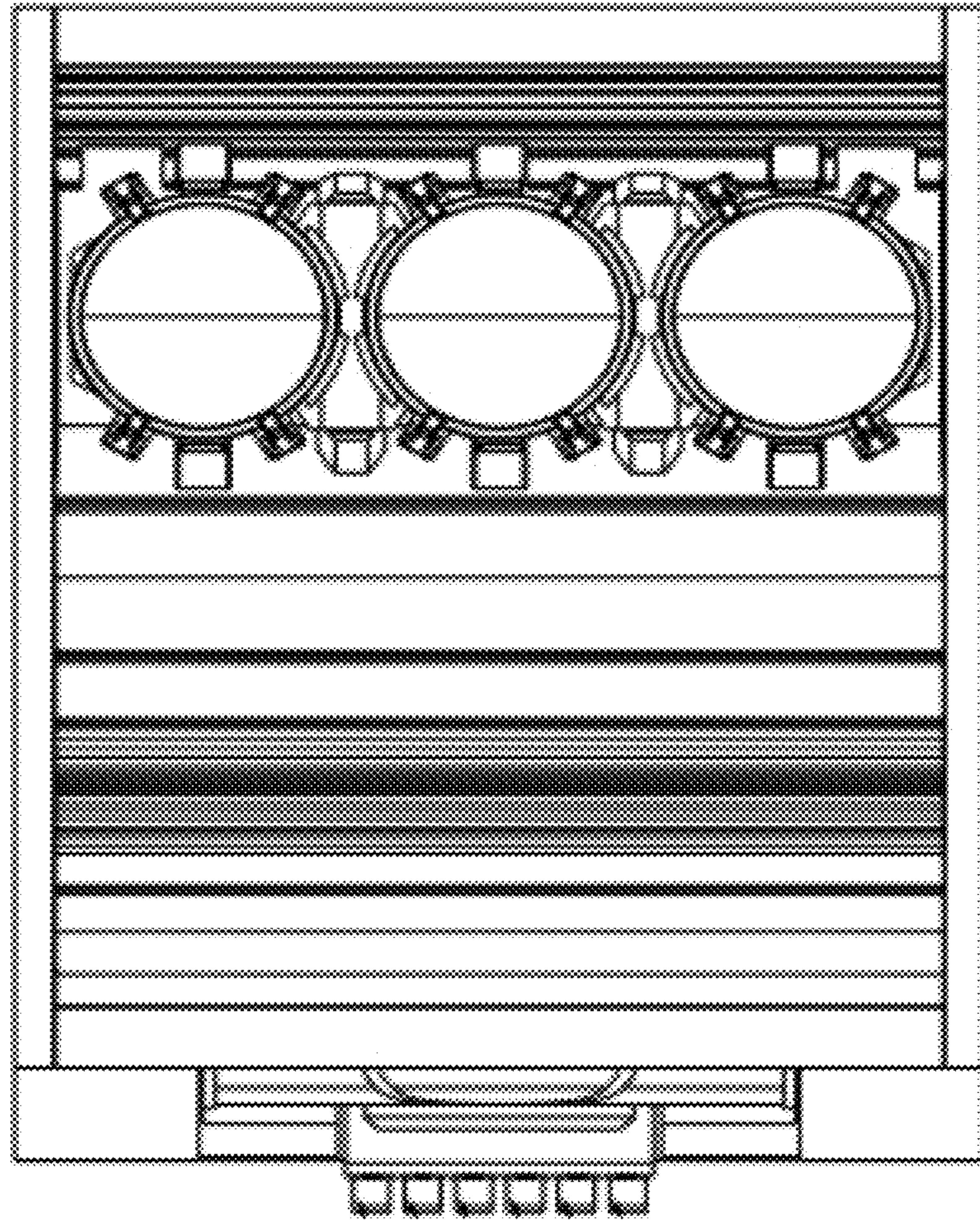


FIG. 6

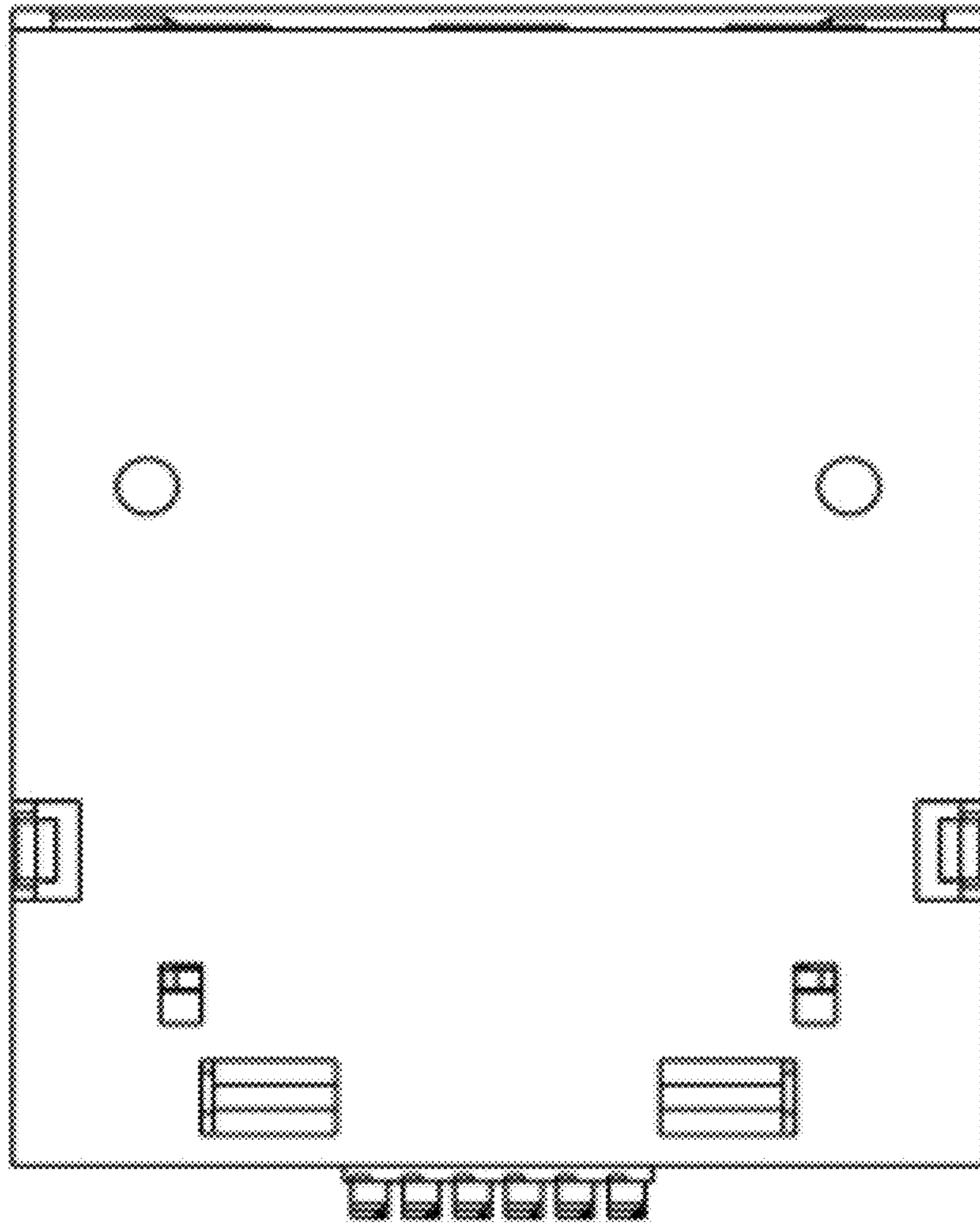


FIG. 7

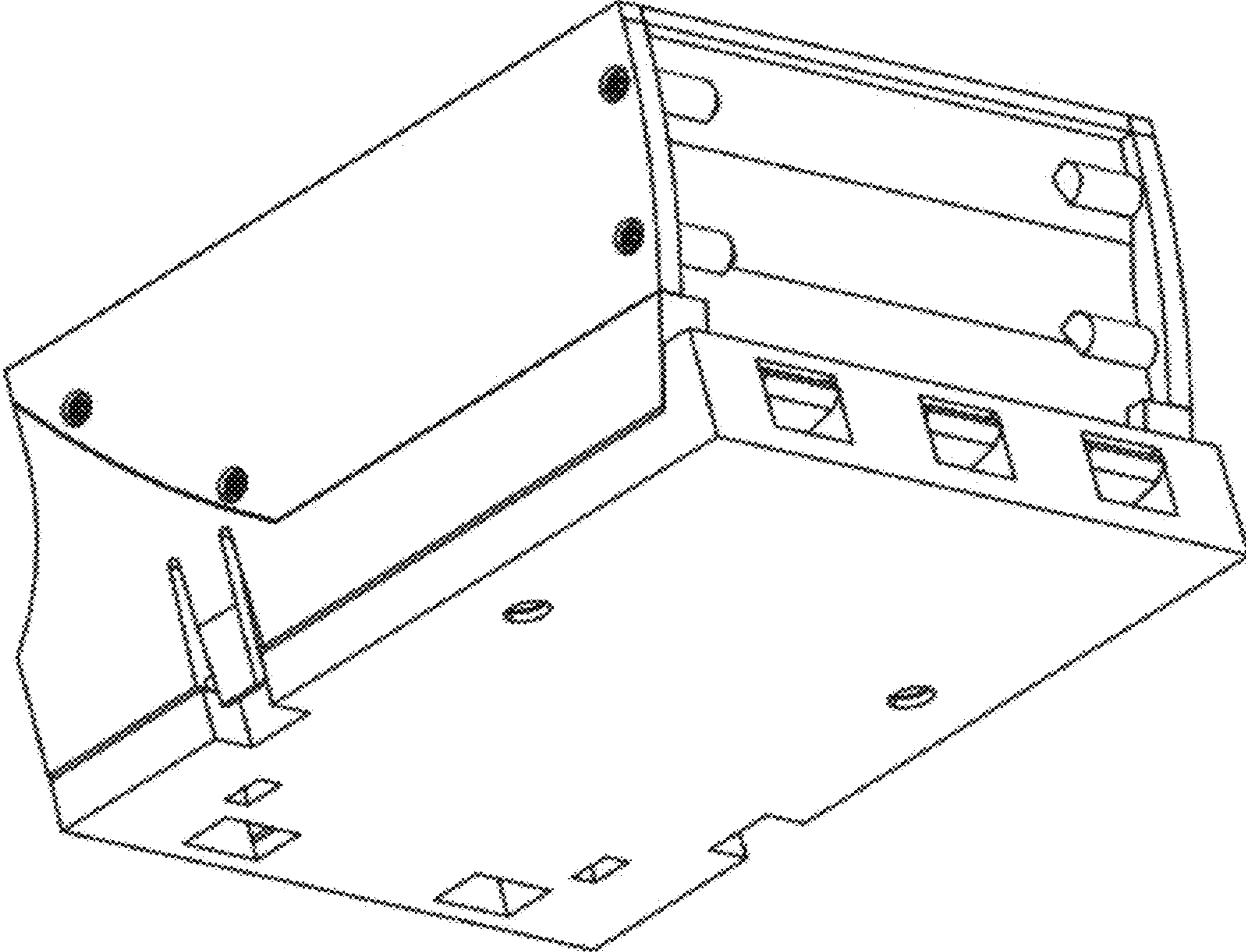


FIG. 8