



US00D659106S

(12) **United States Design Patent**
Paul

(10) **Patent No.:** **US D659,106 S**

(45) **Date of Patent:** **** May 8, 2012**

(54) **PATIENT INPUT DEVICE**

(75) Inventor: **Patrick J. Paul**, Boca Raton, FL (US)

(73) Assignee: **NovaVision, Inc.**, Boca Raton, FL (US)

(**) Term: **14 Years**

(21) Appl. No.: **29/351,090**

(22) Filed: **Nov. 30, 2009**

(51) **LOC (9) Cl.** **13-03**

(52) **U.S. Cl.** **D13/168**

(58) **Field of Classification Search** D13/168;
D10/107; D24/133, 138; 5/425, 503.1; 200/4,
200/505, 298, 302.2, 317

See application file for complete search history.

(56) **References Cited**

U.S. PATENT DOCUMENTS

1,345,443	A *	7/1920	Hood	81/436
2,420,768	A *	5/1947	Beveridge, Jr.	200/4
D214,275	S *	5/1969	Rothweiller	D13/171
D218,102	S *	7/1970	Schwartz	D13/168
3,671,691	A *	6/1972	Suzuki et al.	200/61.54
3,996,433	A *	12/1976	Suzuki et al.	200/61.27
6,093,900	A *	7/2000	Wisskirchen et al.	200/302.2

D462,440	S *	9/2002	Formanek	D24/133
D511,145	S *	11/2005	Donofrio et al.	D13/168
D566,051	S *	4/2008	Govindasamy	D13/168
D606,947	S *	12/2009	Caprio et al.	D13/168
D638,935	S *	5/2011	Gilmore et al.	D24/133
7,935,903	B2 *	5/2011	Niedzielski et al.	200/298
2006/0213756	A1 *	9/2006	Takachi	200/302.2

* cited by examiner

Primary Examiner — Selina Sikder

(74) *Attorney, Agent, or Firm* — Hunton & Williams

(57) **CLAIM**

The ornamental design for a patient input device, as shown and described.

DESCRIPTION

FIG. 1 is a perspective view of a patient input device according to my design;

FIG. 2 is a side view thereof;

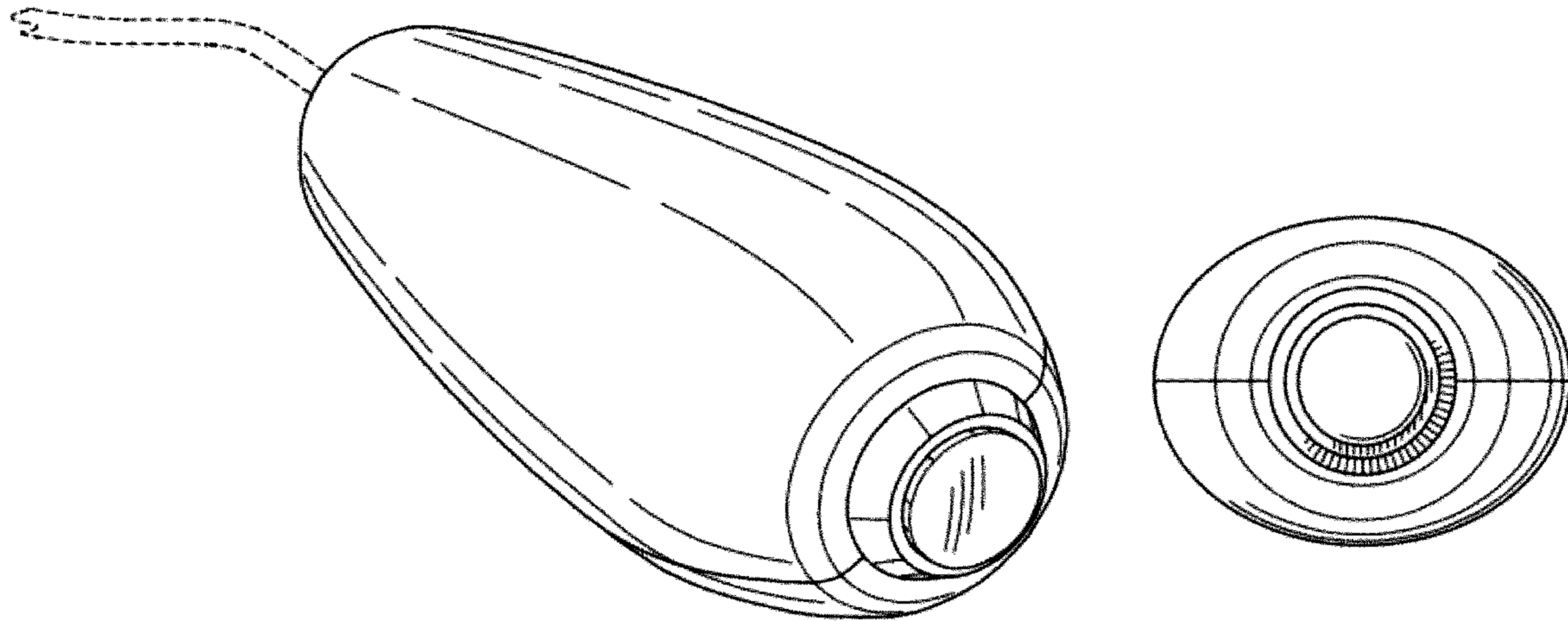
FIG. 3 is a back view thereof;

FIG. 4 is a bottom view thereof; and,

FIG. 5 is a top view thereof.

The broken line showing of the environment is for illustrative purposes only and forms no part of the claimed design.

1 Claim, 3 Drawing Sheets



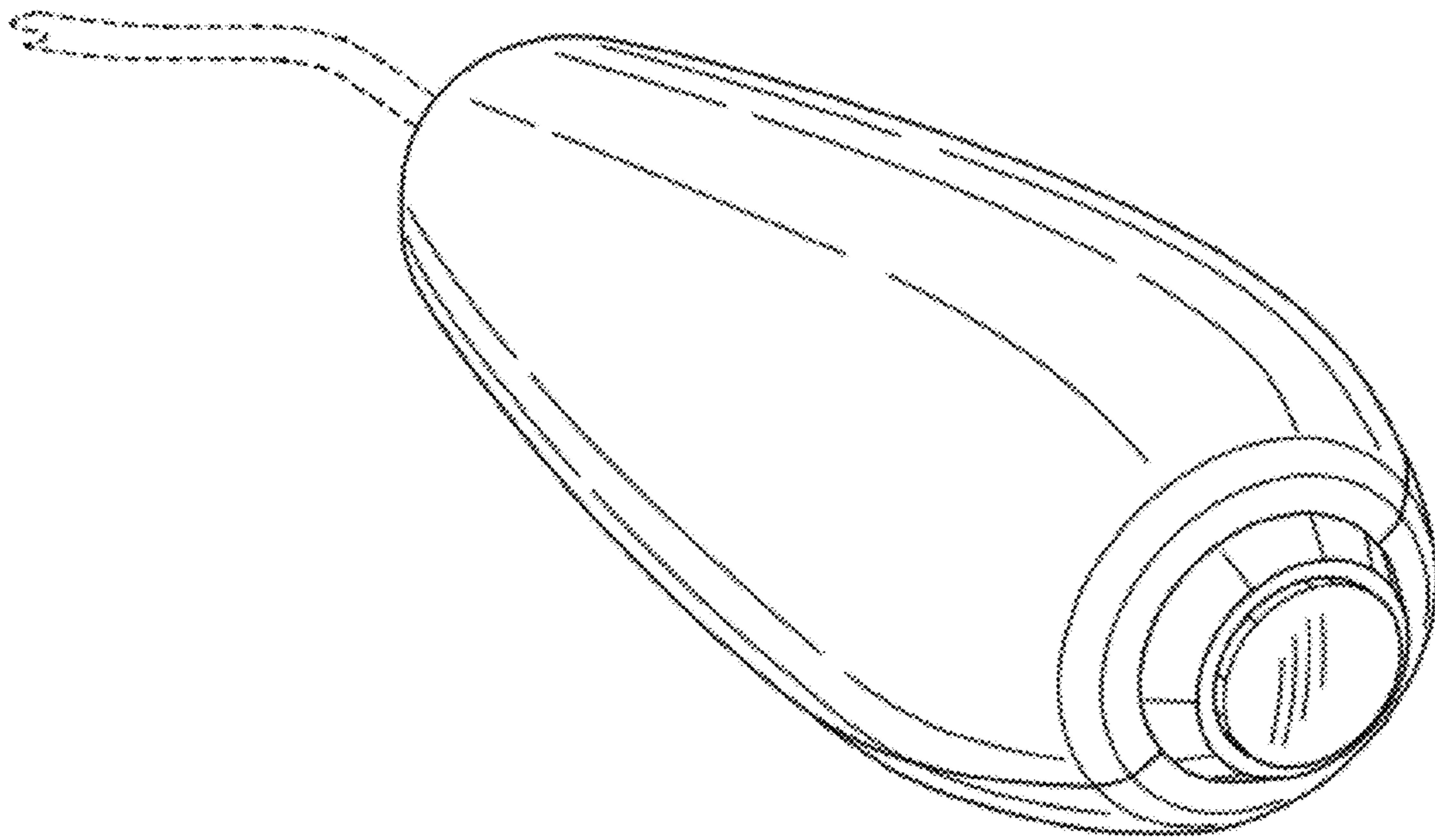


FIG. 1

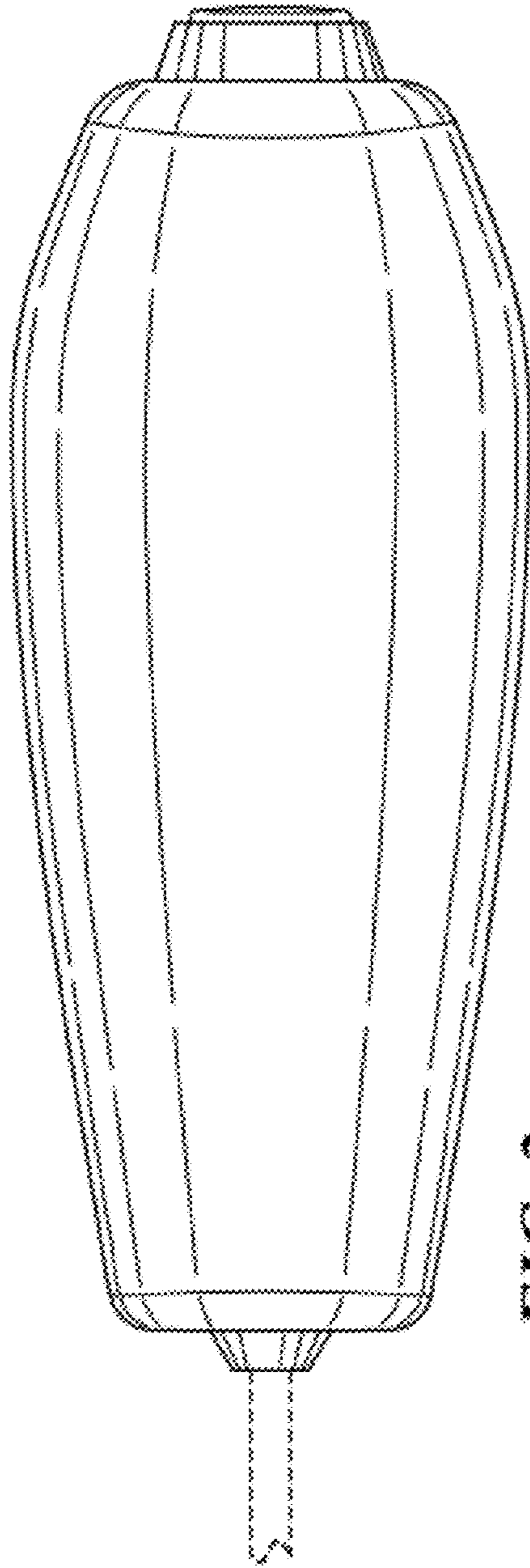


FIG. 2

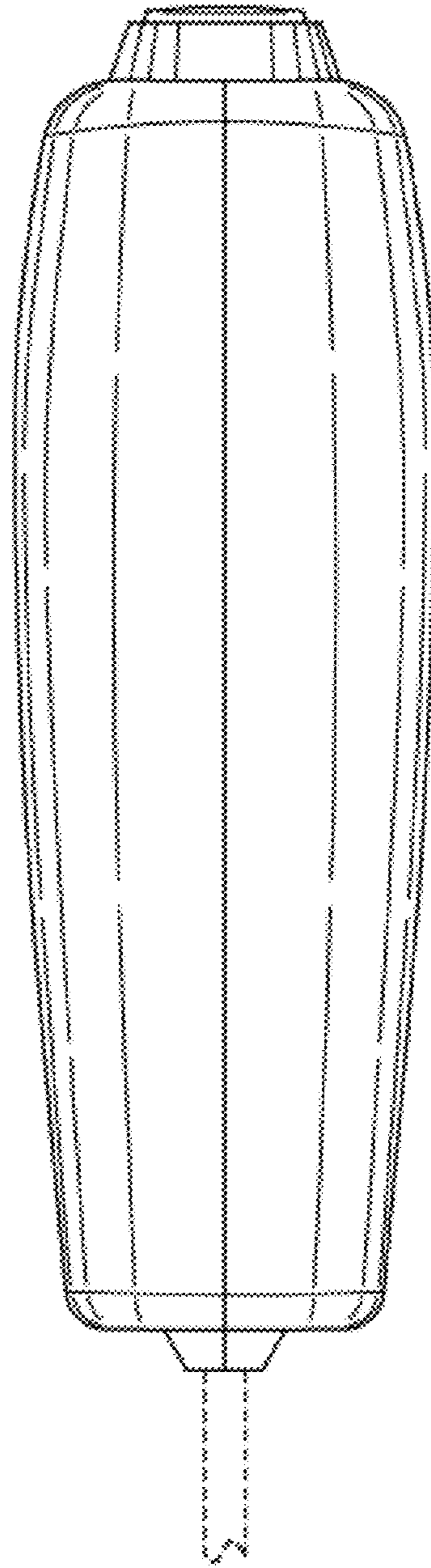


FIG. 3

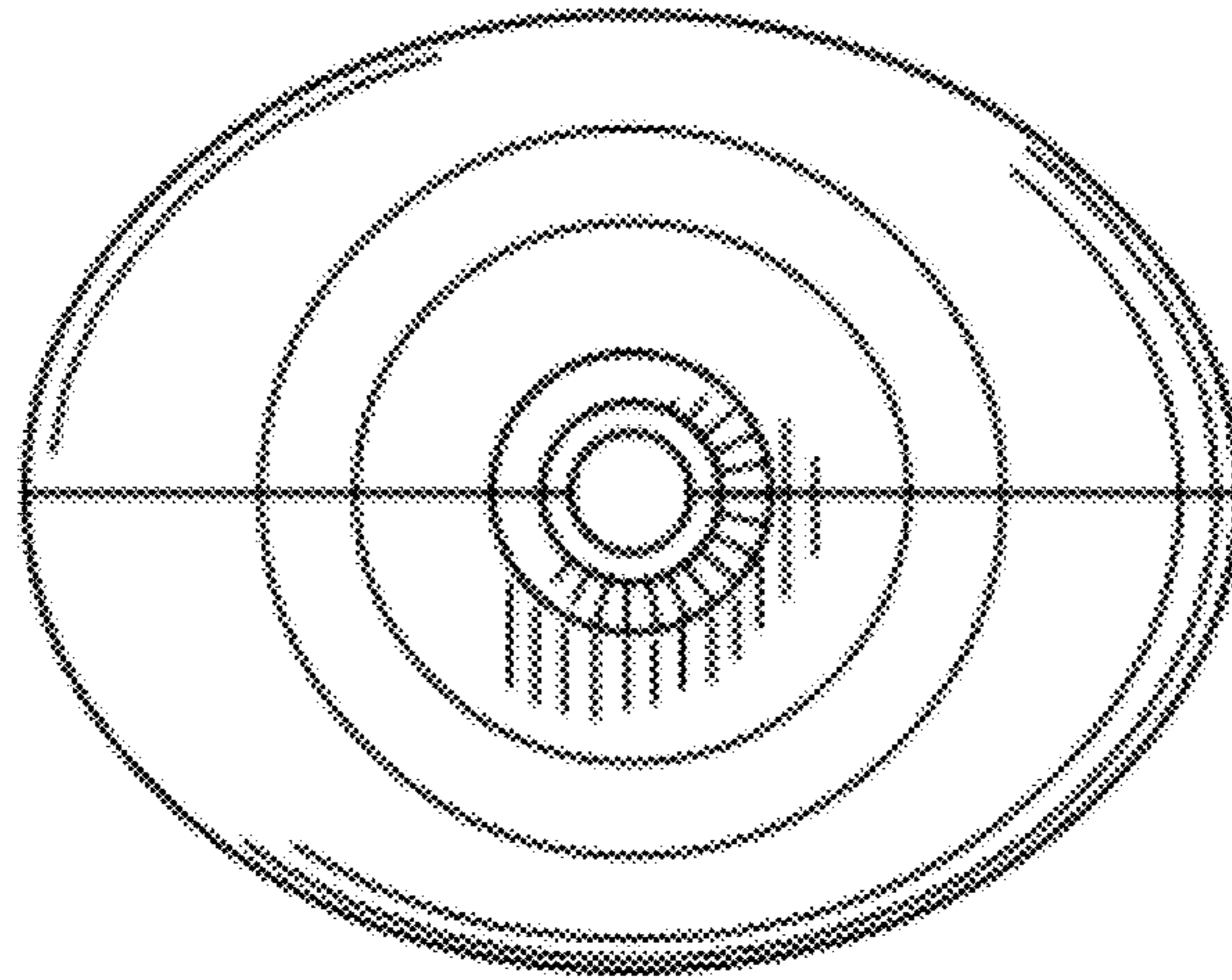


FIG. 4

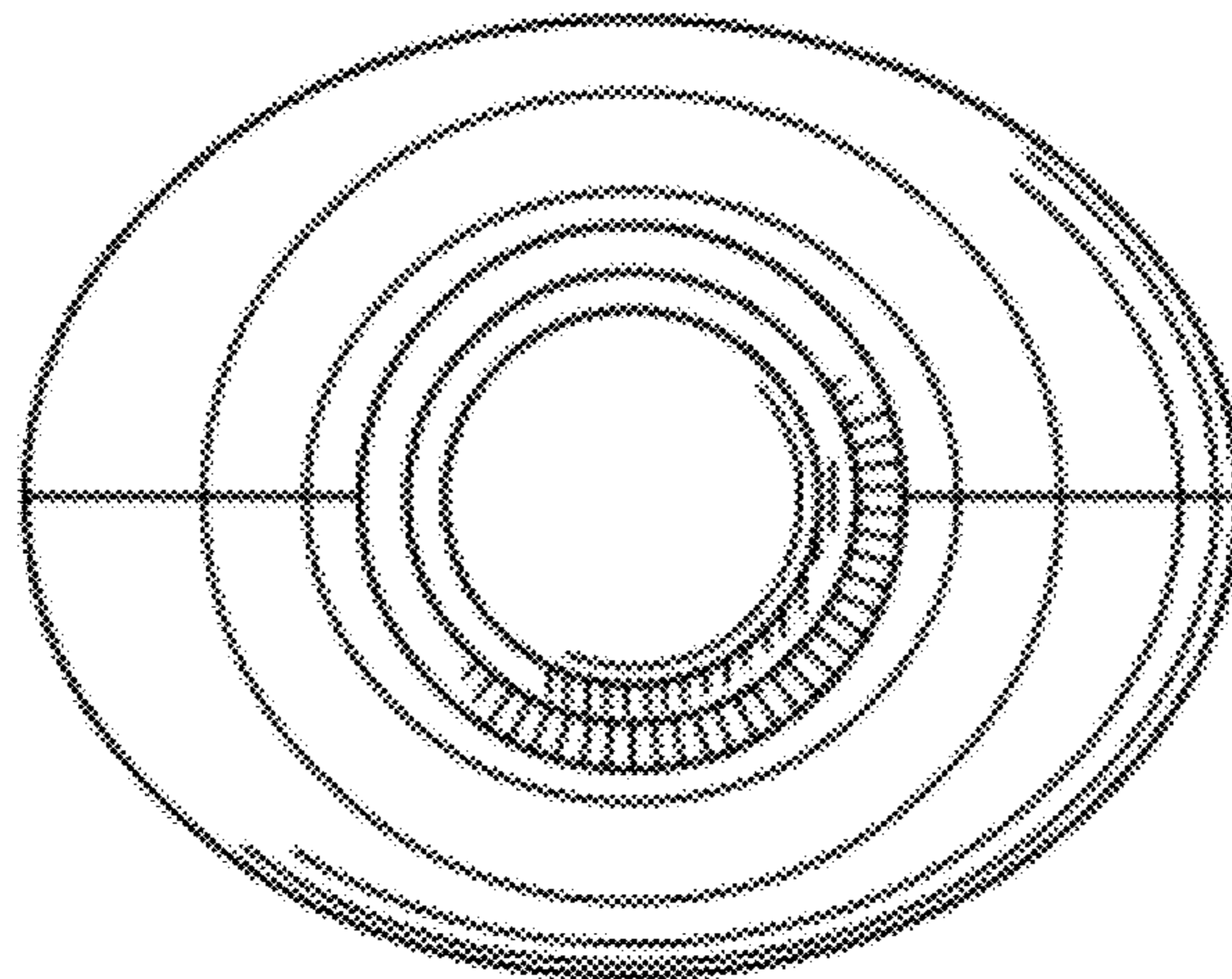


FIG. 5