



US00D659103S

(12) **United States Design Patent**
Natoli

(10) **Patent No.:** **US D659,103 S**
(45) **Date of Patent:** **** May 8, 2012**

(54) **SEALING BOOT**

(75) Inventor: **Chris Natoli**, Fulton, NY (US)

(73) Assignee: **John Mezzalingua Associates, Inc.**,
East Syracuse, NY (US)

(**) Term: **14 Years**

(21) Appl. No.: **29/403,081**

(22) Filed: **Sep. 30, 2011**

Related U.S. Application Data

(63) Continuation of application No. 29/382,972, filed on
Jan. 10, 2011, now Pat. No. Des. 646,230.

(51) **LOC (9) Cl.** **13-03**

(52) **U.S. Cl.** **D13/156**

(58) **Field of Classification Search** D13/133,
D13/154, 156, 184, 199; 439/271, 275, 277,
439/278, 279, 281, 283, 445, 447, 578, 583,
439/584, 927

See application file for complete search history.

(56) **References Cited**

U.S. PATENT DOCUMENTS

D136,190 S *	8/1943	Urell	D13/133
D328,279 S *	7/1992	Couto et al.	D13/133
D575,744 S *	8/2008	Amidon	D13/156
D646,227 S *	10/2011	Natoli	D13/156
D646,230 S *	10/2011	Natoli	D13/156
2006/0240709 A1 *	10/2006	Montena et al.	439/578

* cited by examiner

Primary Examiner — Daniel Bui

(74) *Attorney, Agent, or Firm* — Stephen R. Yoder, Esq.

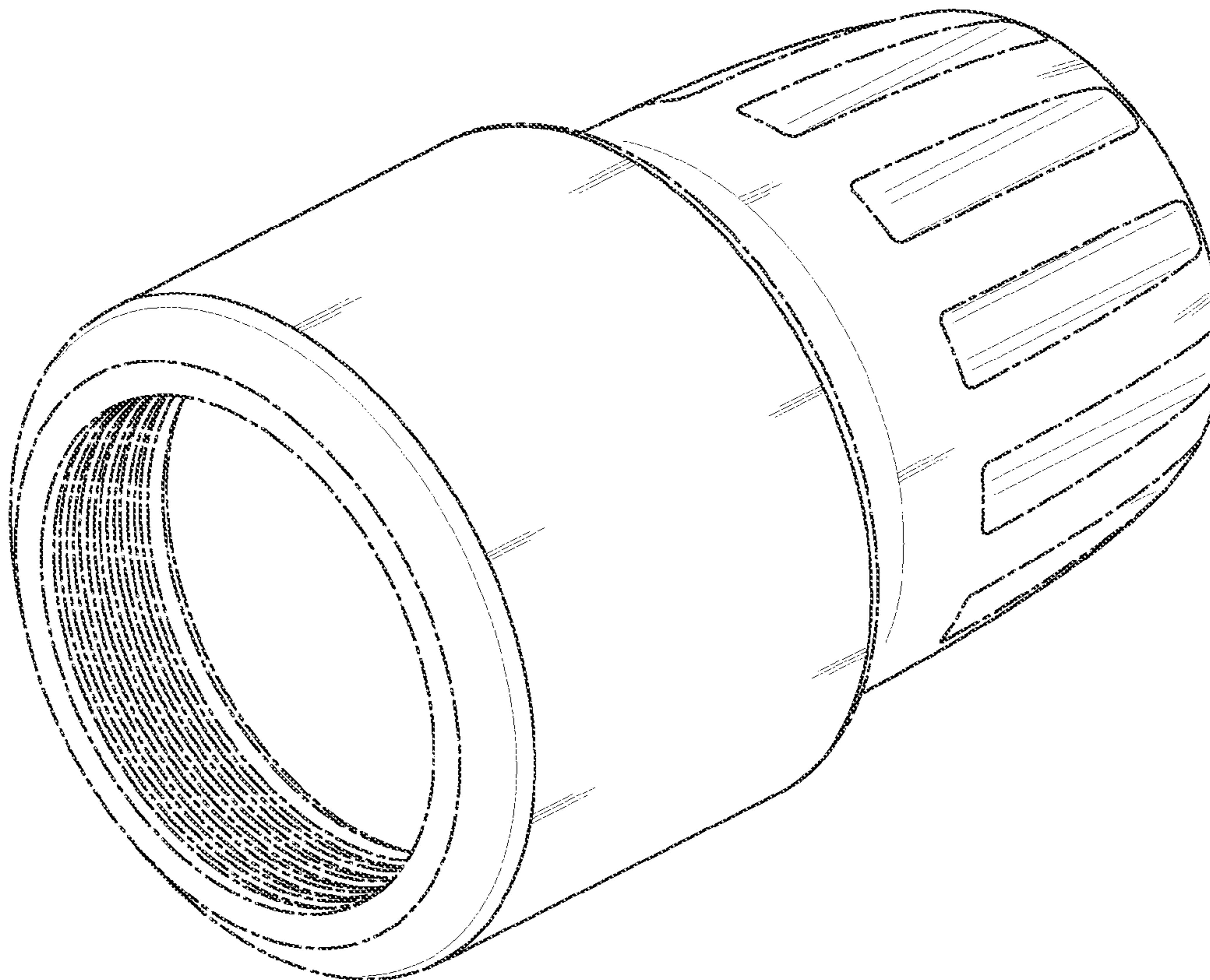
(57) **CLAIM**

The ornamental design for a sealing boot, as shown and described.

DESCRIPTION

FIG. 1 is a front perspective view of the present invention showing my design for a sealing boot;
FIG. 2 is a back perspective view thereof;
FIG. 3 is a top view thereof, the claimed portion of which is a mirror image to the bottom view, the right side view, and the left side view thereto;
FIG. 4 is a front view thereof; and,
FIG. 5 is a back view thereof.
The dash-dot line in the figure drawings is included for the purpose of illustrating environment and forms no part of the claimed design.

1 Claim, 4 Drawing Sheets



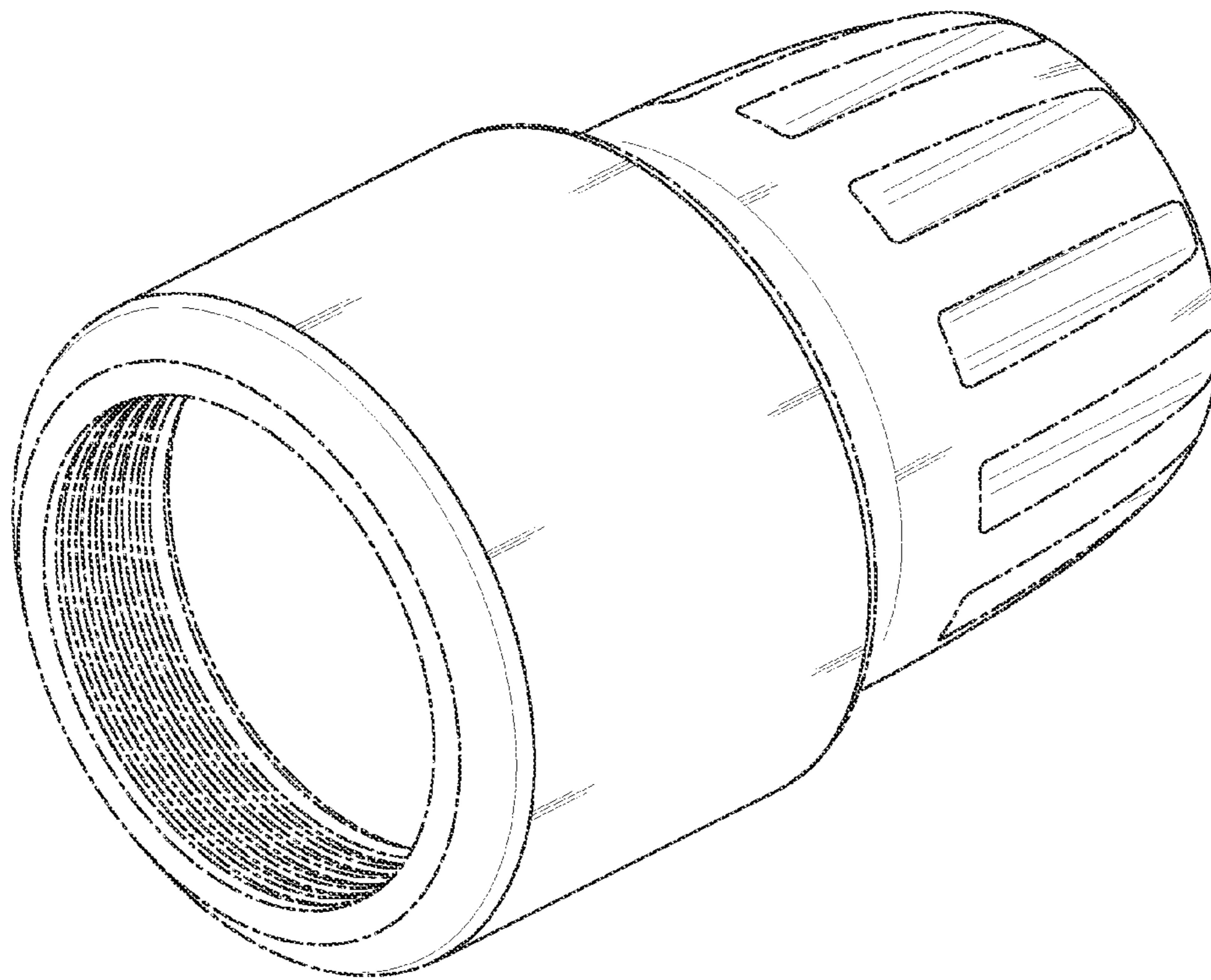


FIG. 1

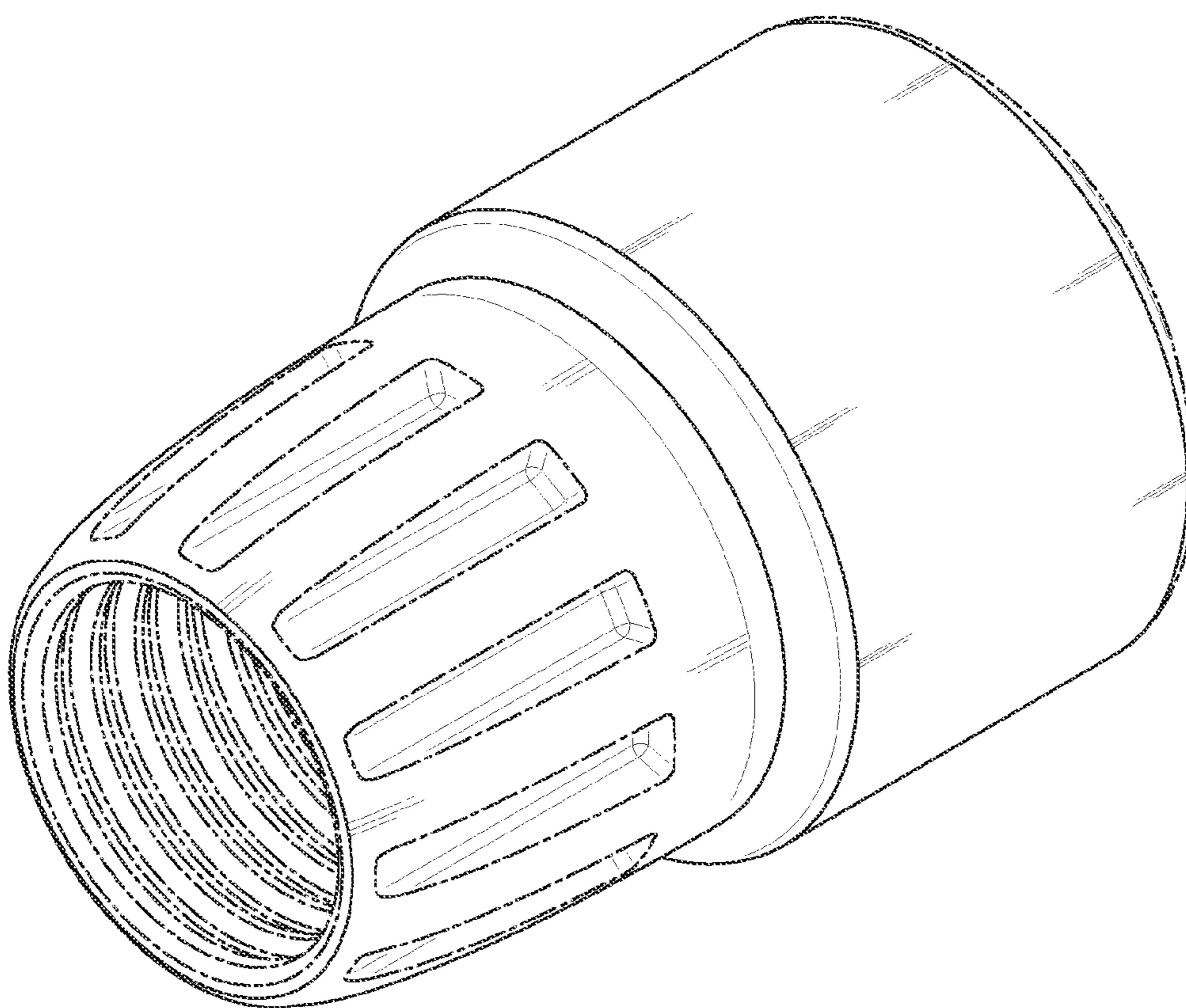


FIG. 2

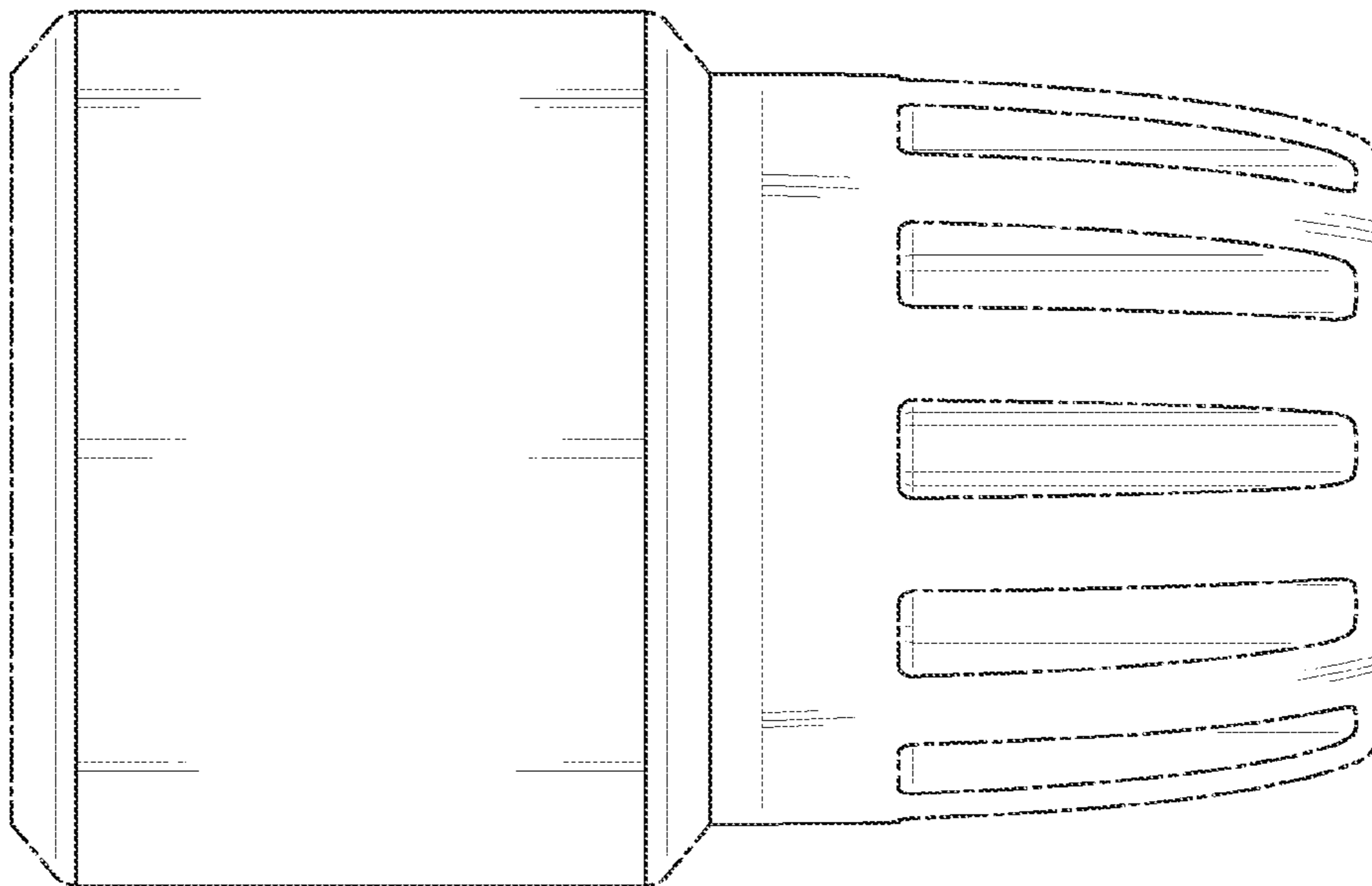


FIG. 3

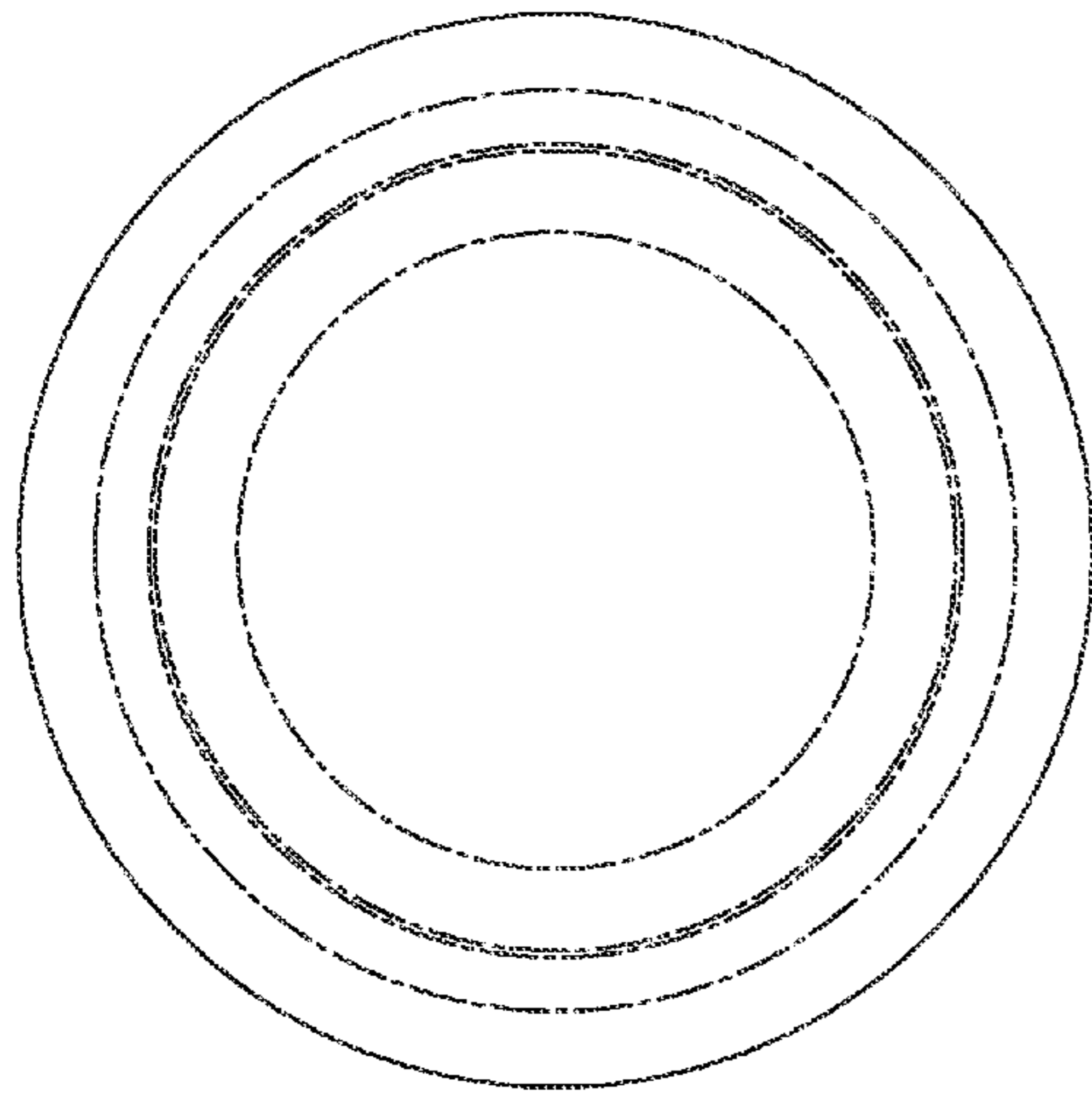


FIG. 4

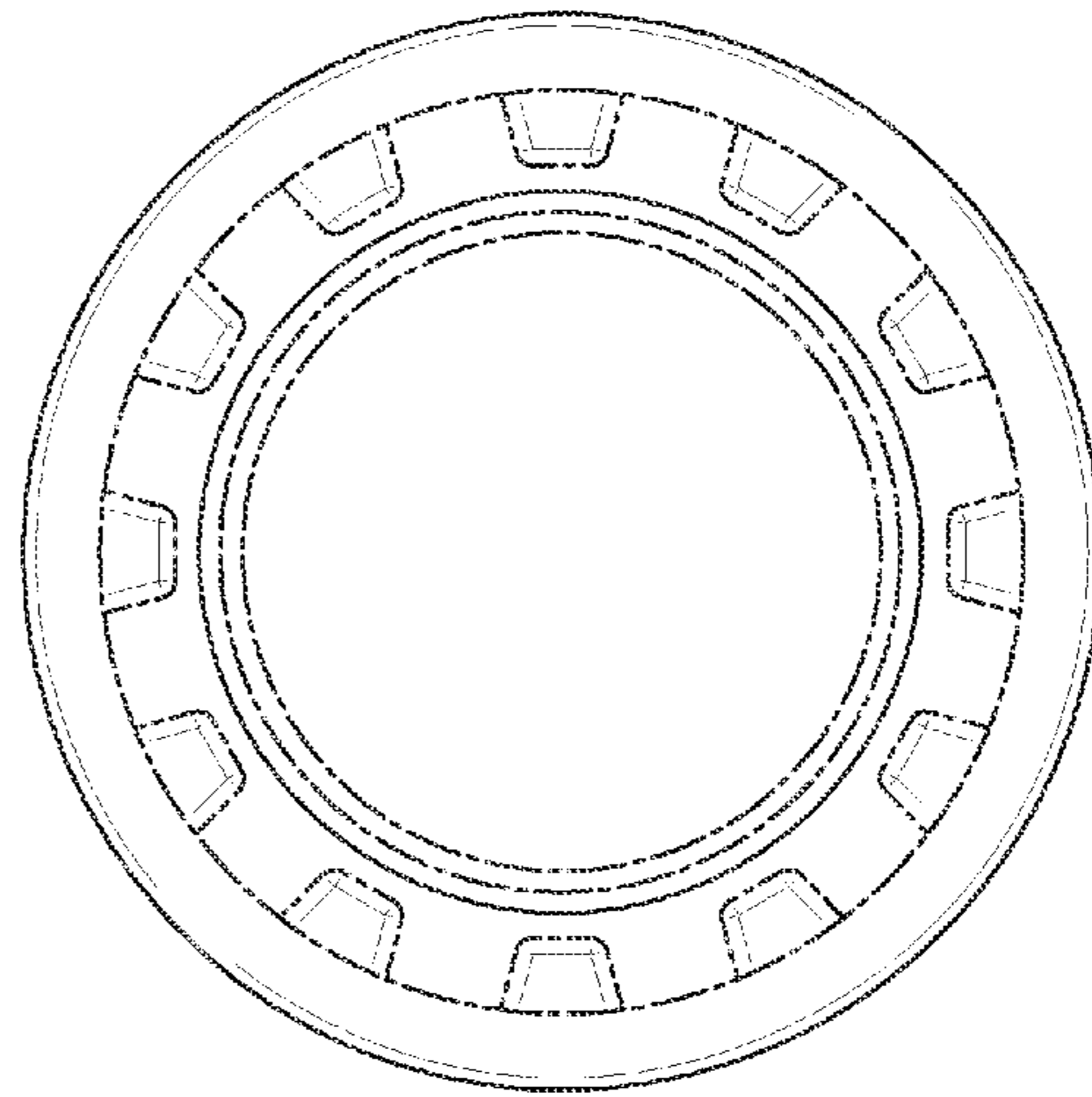


FIG. 5