



US00D659102S

(12) **United States Design Patent**  
**Natoli**

(10) **Patent No.:** **US D659,102 S**  
(45) **Date of Patent:** **\*\* May 8, 2012**

(54) **SEALING BOOT**

(75) Inventor: **Chris Natoli**, Fulton, NY (US)

(73) Assignee: **John Mezzalingua Associates, Inc.**,  
East Syracuse, NY (US)

(\*\*) Term: **14 Years**

(21) Appl. No.: **29/403,065**

(22) Filed: **Sep. 30, 2011**

D575,744 S \* 8/2008 Amidon ..... D13/156  
D646,227 S \* 10/2011 Natoli ..... D13/156  
D646,230 S \* 10/2011 Natoli ..... D13/156  
2006/0240709 A1 \* 10/2006 Montena et al. .... 439/578

\* cited by examiner

*Primary Examiner* — Daniel Bui

(74) *Attorney, Agent, or Firm* — Stephen R. Yoder, Esq.

**Related U.S. Application Data**

(63) Continuation of application No. 29/375,191, filed on  
Sep. 17, 2010, now Pat. No. Des. 646,227.

(51) **LOC (9) Cl.** ..... **13-03**

(52) **U.S. Cl.** ..... **D13/156**

(58) **Field of Classification Search** ..... D13/133,  
D13/154, 156, 184, 199; 439/271, 275, 277,  
439/278, 279, 281, 283, 445, 447, 578, 583,  
439/584, 927

See application file for complete search history.

(56) **References Cited**

**U.S. PATENT DOCUMENTS**

D136,190 S \* 8/1943 Urell ..... D13/133  
D328,279 S \* 7/1992 Couto et al. .... D13/133

(57) **CLAIM**

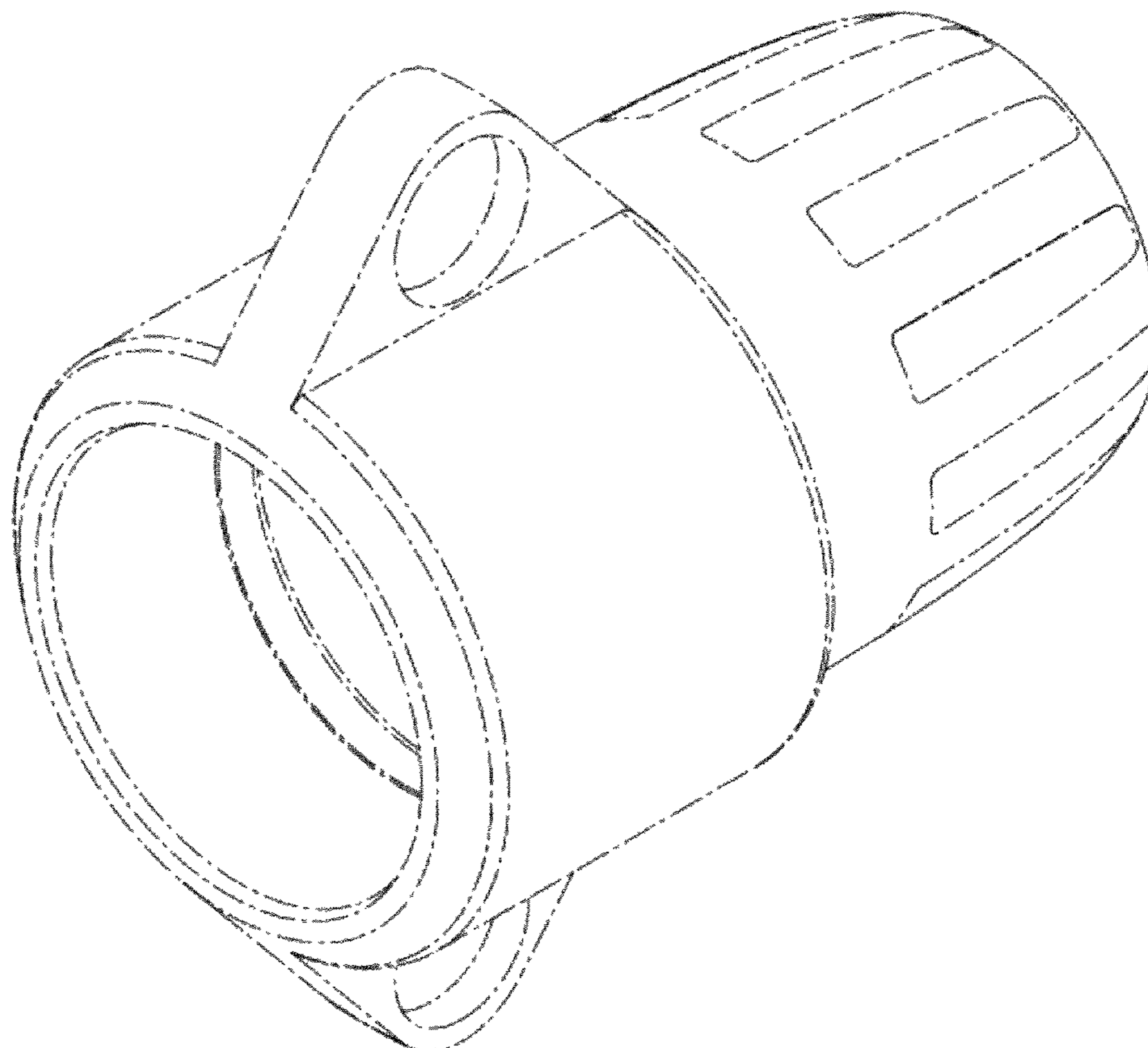
The ornamental design for a sealing boot, as shown and  
described.

**DESCRIPTION**

FIG. 1 is a front perspective view of the present invention  
showing my design for a sealing boot;  
FIG. 2 is a back perspective view thereof;  
FIG. 3 is a top view thereof, the claimed portion of which is a  
mirror image to the bottom view thereof;  
FIG. 4 is a right side view thereof, the claimed portion of  
which is a mirror image of the left side view thereof;  
FIG. 5 is a front view thereof; and,  
FIG. 6 is a back view thereof.

The dash-dot line in the figure drawings is included for the  
purpose of illustrating environment and forms no part of the  
claimed design.

**1 Claim, 5 Drawing Sheets**



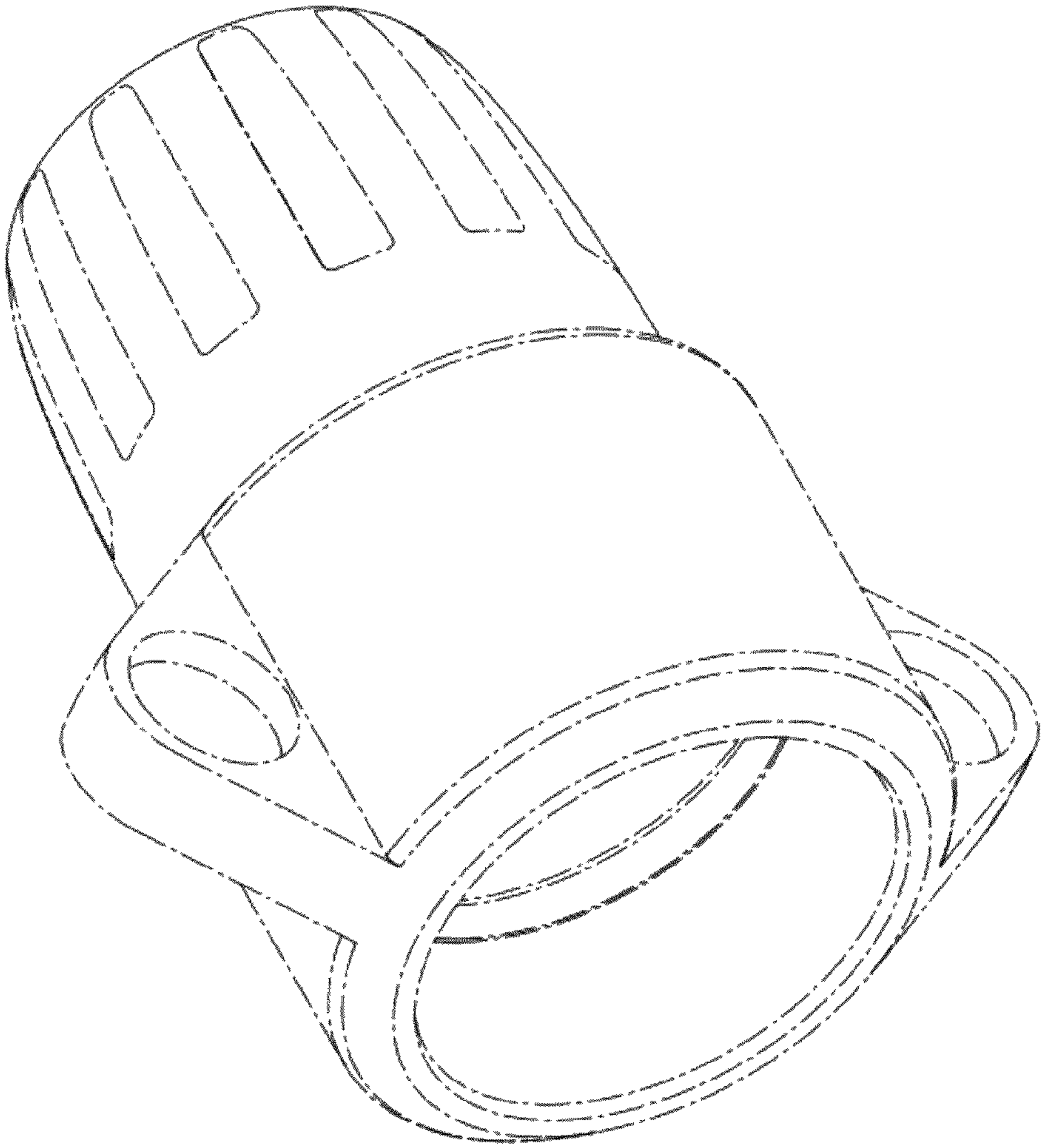


FIG. 1

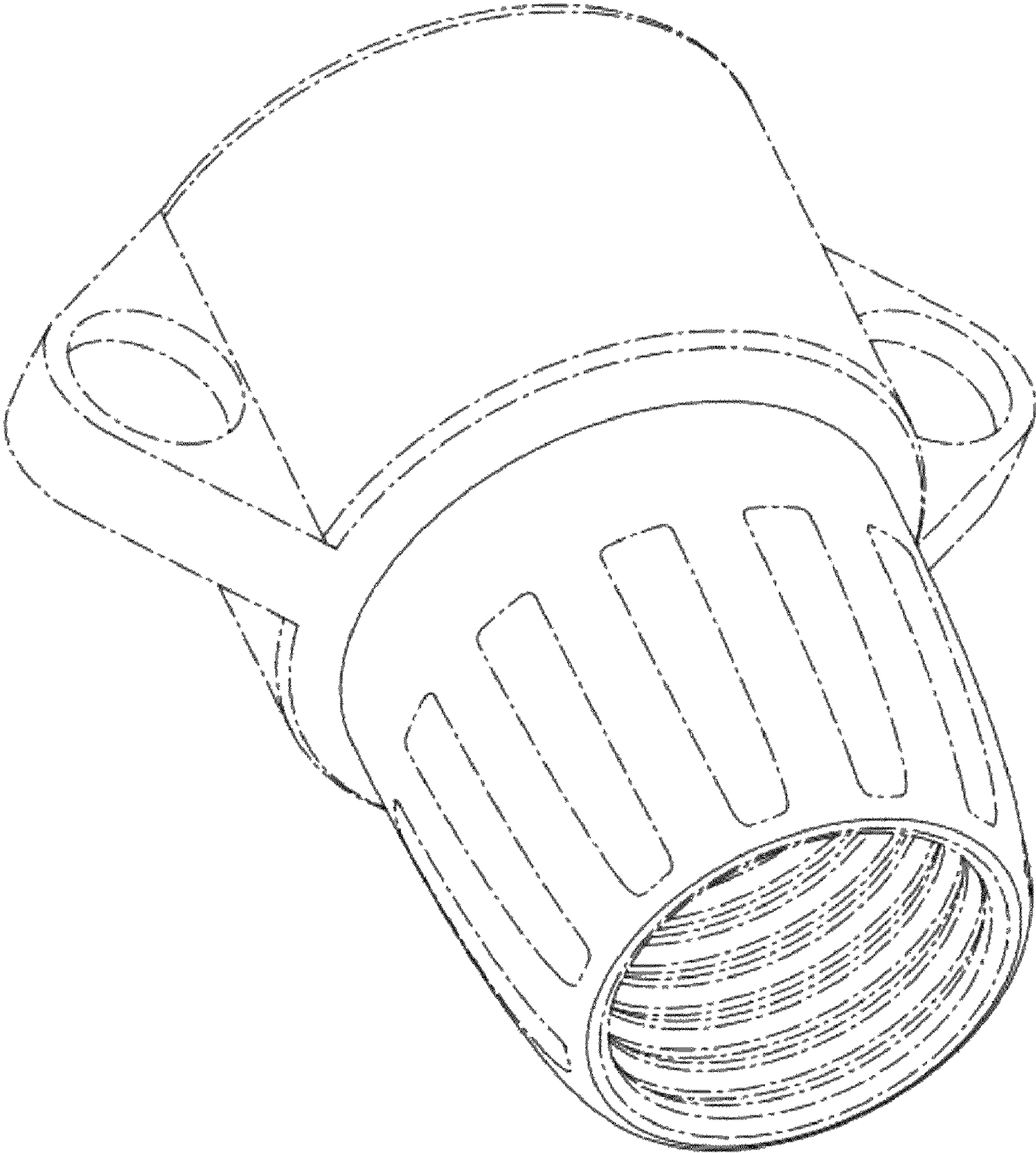


FIG. 2



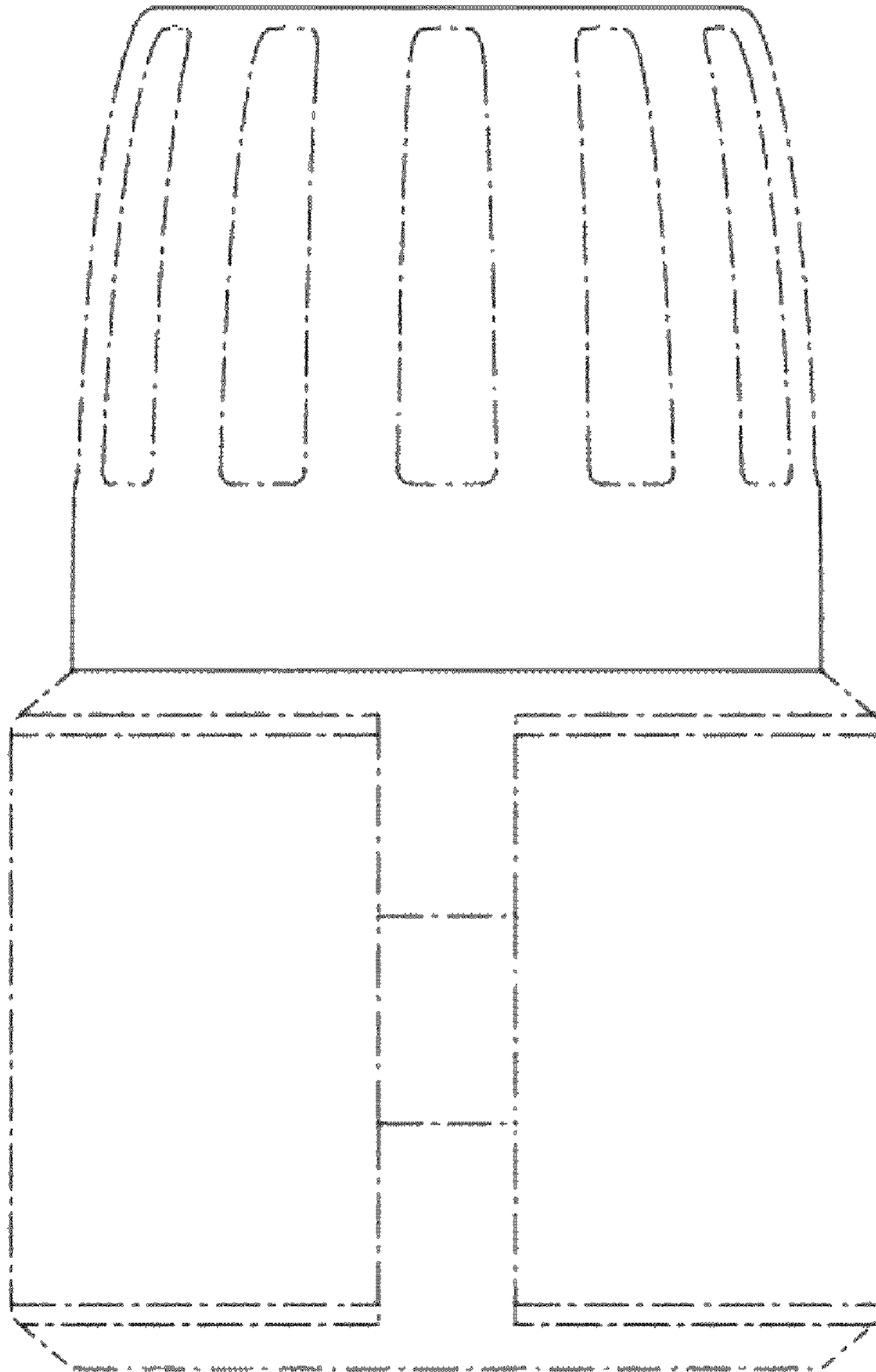


FIG. 3

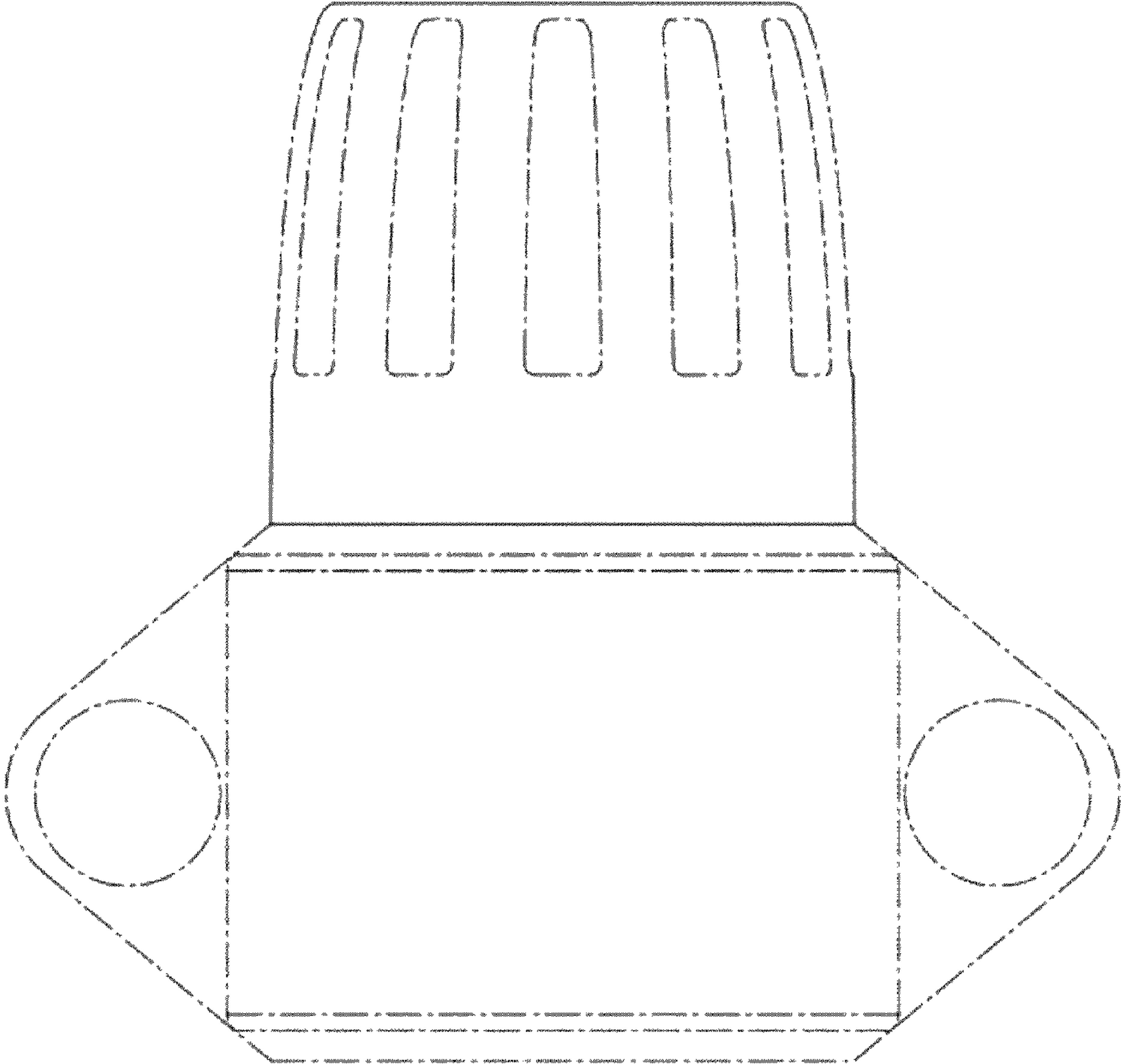


FIG. 4

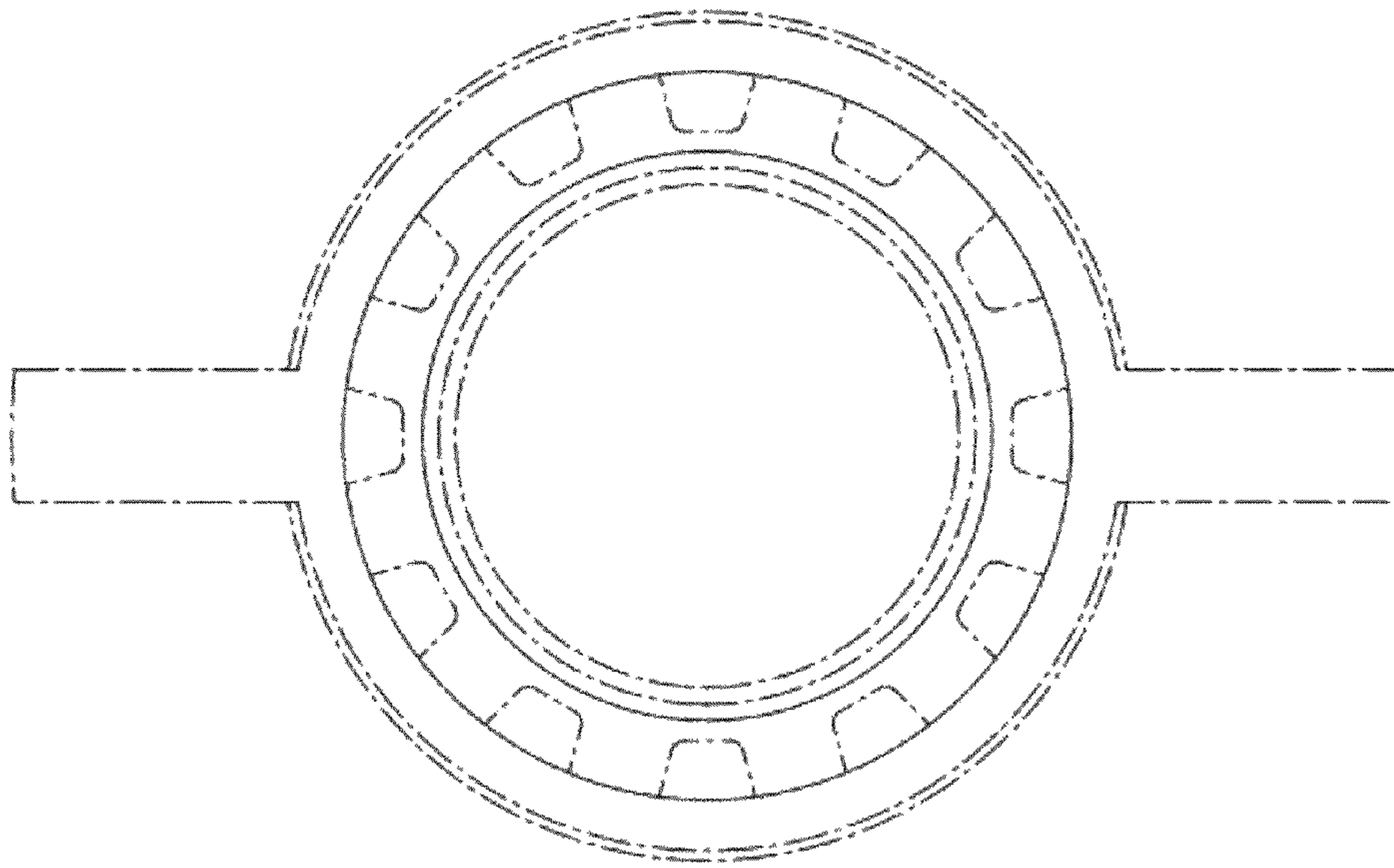


FIG. 6



FIG. 5