



US00D659101S

(12) **United States Design Patent**  
**Montena et al.**

(10) **Patent No.:** **US D659,101 S**

(45) **Date of Patent:** **\*\* May 8, 2012**

(54) **WEATHER PROOFING SYSTEM**  
(75) Inventors: **Noah Montena**, Syracuse, NY (US);  
**Chris Natoli**, Fulton, NY (US)

(73) Assignee: **John Mezzalingua Associates, Inc.**,  
East Syracuse, NY (US)

(\*\*) Term: **14 Years**

(21) Appl. No.: **29/377,393**

(22) Filed: **Oct. 20, 2010**

(51) **LOC (9) Cl.** ..... **13-03**

(52) **U.S. Cl.** ..... **D13/156**

(58) **Field of Classification Search** ..... D13/133,  
D13/154, 156, 184, 199; 439/271, 275, 277,  
439/278, 279, 281, 283, 445, 447, 578, 583,  
439/584, 927

See application file for complete search history.

(56) **References Cited**

U.S. PATENT DOCUMENTS

D206,662	S	*	1/1967	Karol	.....	D13/156
3,518,600	A	*	6/1970	Urani	.....	337/201
D331,567	S	*	12/1992	Braga et al.	.....	D13/156
D407,378	S	*	3/1999	Lee	.....	D13/156
D456,363	S	*	4/2002	Lee	.....	D13/154

D631,848	S	*	2/2011	Montena et al.	.....	D13/154
D642,988	S	*	8/2011	Montena et al.	.....	D13/156
D643,372	S	*	8/2011	Montena et al.	.....	D13/156
D646,228	S	*	10/2011	Montena et al.	.....	D13/156
2006/0240709	A1	*	10/2006	Montena et al.	.....	439/578

\* cited by examiner

*Primary Examiner* — Daniel Bui

(74) *Attorney, Agent, or Firm* — Stephen R. Yoder, Esq.

(57) **CLAIM**

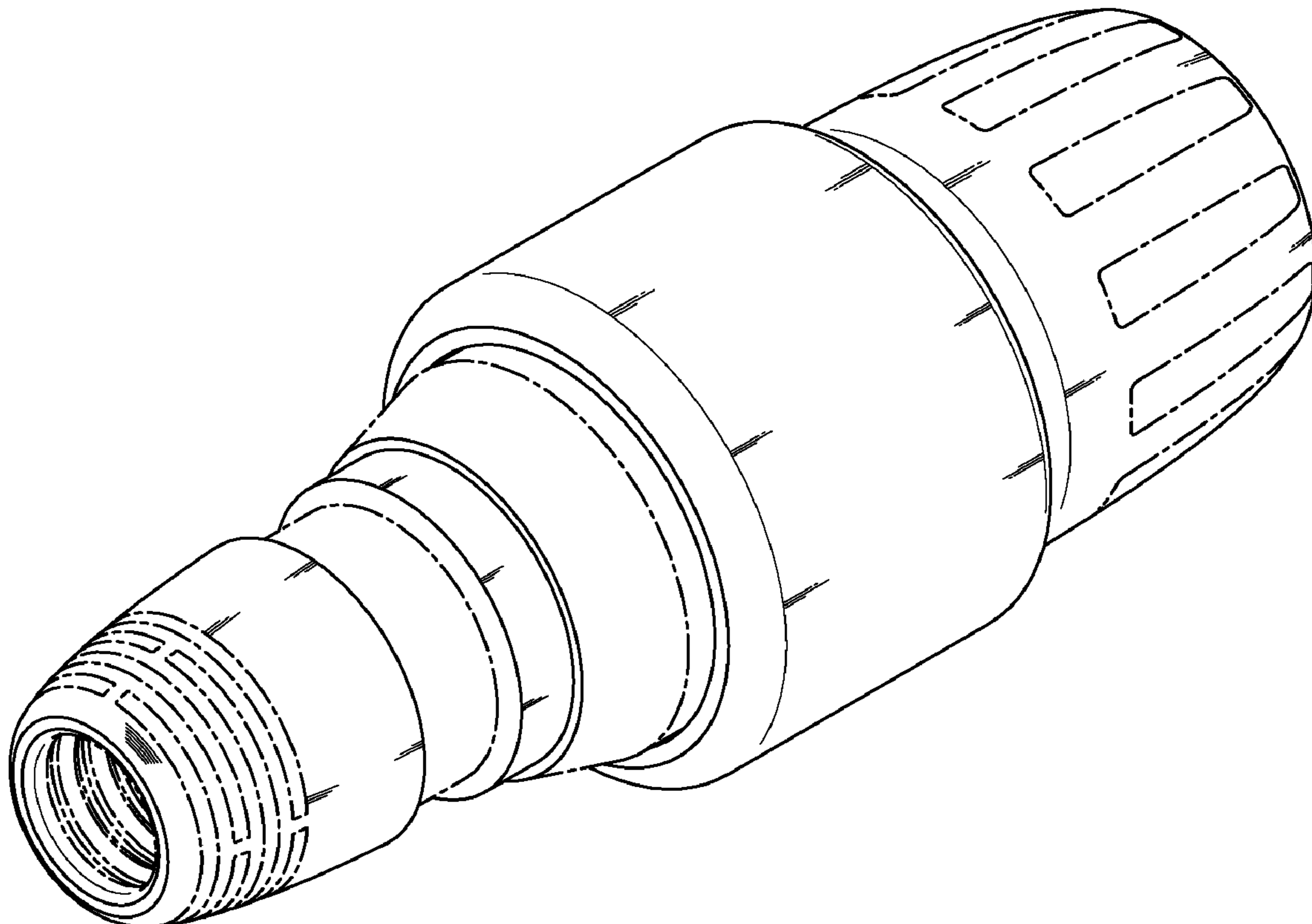
The ornamental design for a weather proofing system, as shown and described.

**DESCRIPTION**

FIG. 1 is a front perspective view of present invention showing our design for a weather proofing system; FIG. 2 is a back perspective view thereof; FIG. 3 is a top view thereof, the claimed portion of which is a mirror image to the bottom view thereof; FIG. 4 is a right side view thereof, the claimed portion of which is a mirror image of the left side view thereof; FIG. 5 is a front view thereof; and, FIG. 6 is a back view thereof.

The broken line portion of the figure drawings is included for the purpose of illustrating environment and forms no part of the claimed design.

**1 Claim, 4 Drawing Sheets**



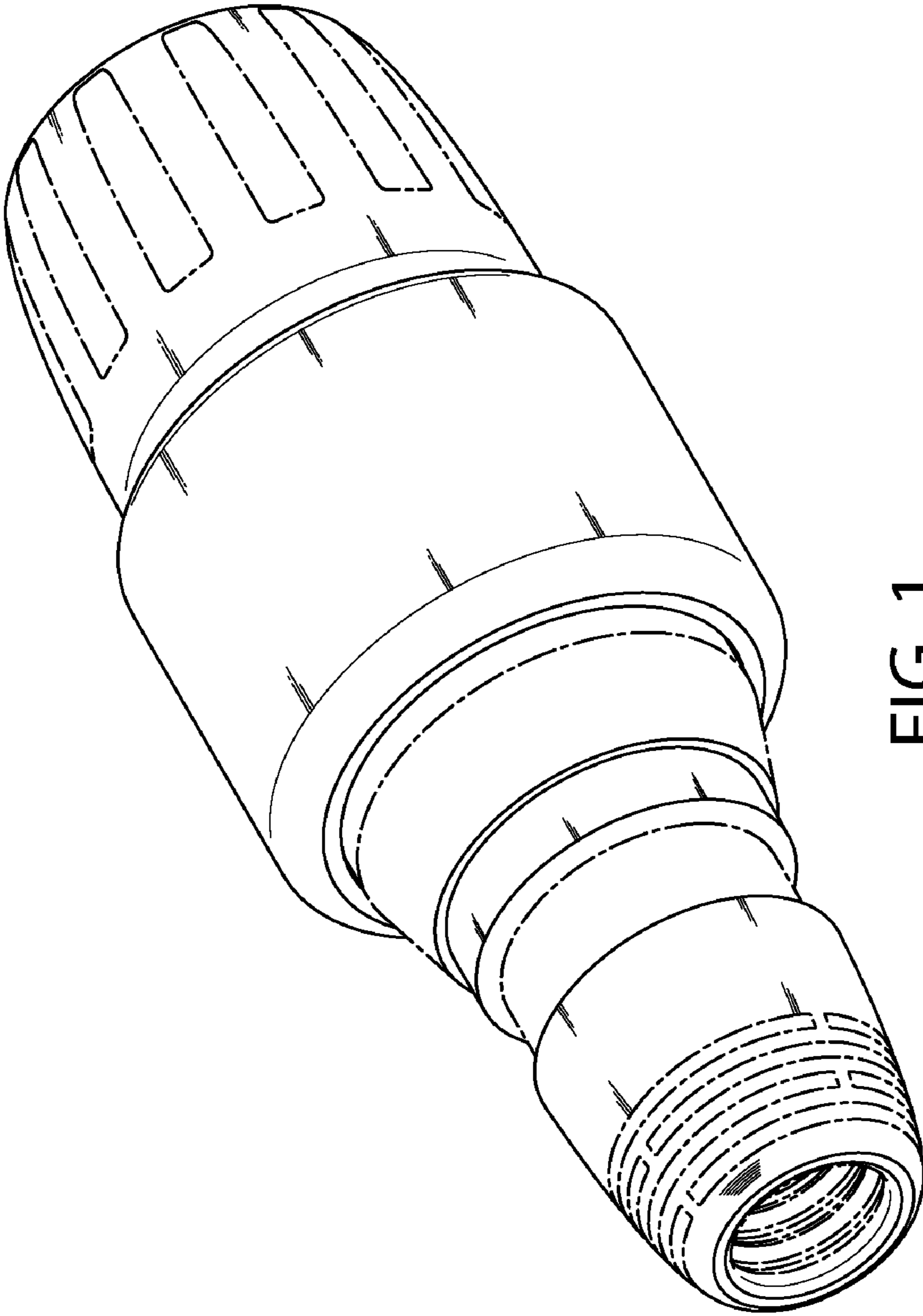


FIG. 1

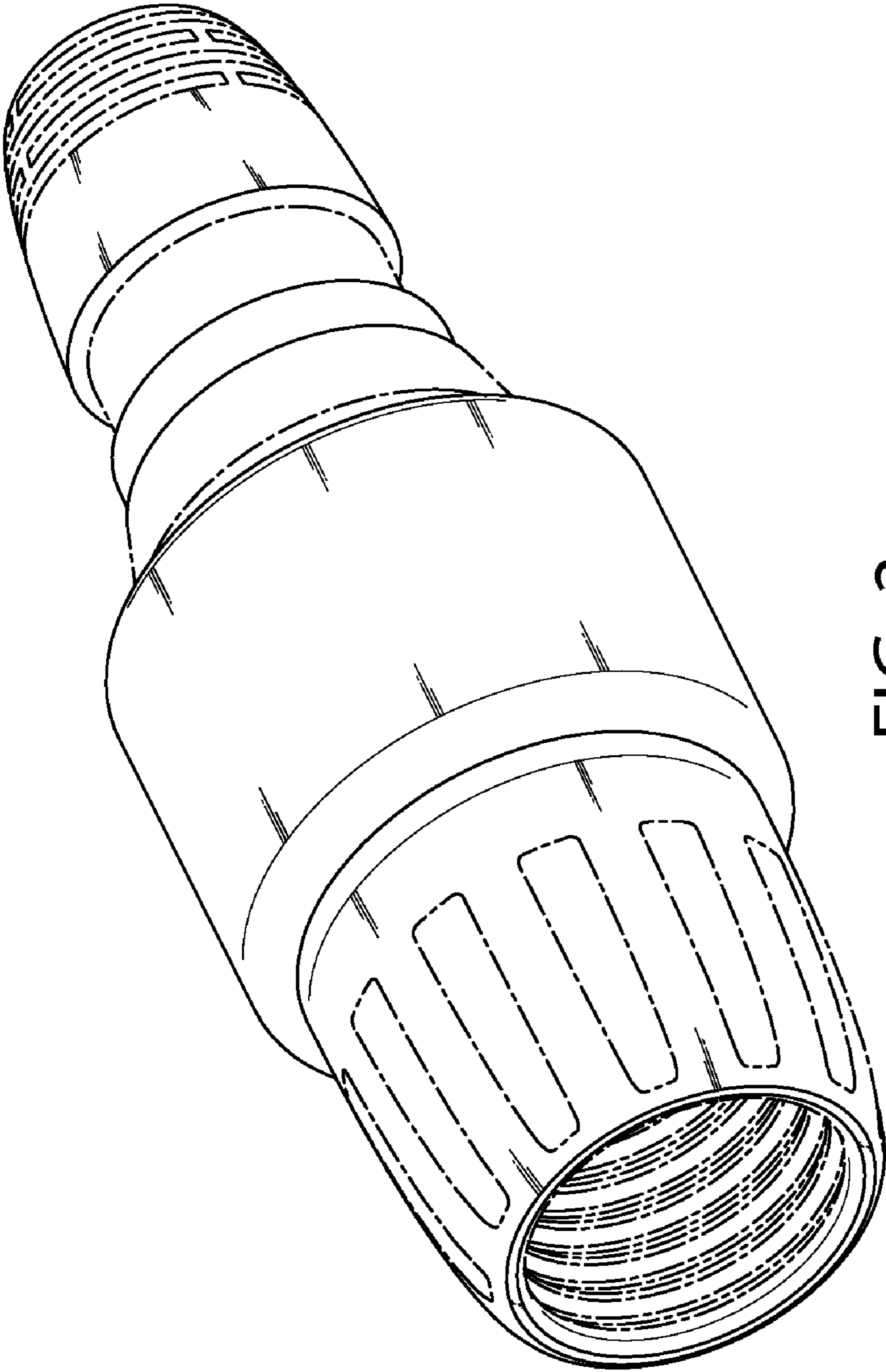


FIG. 2

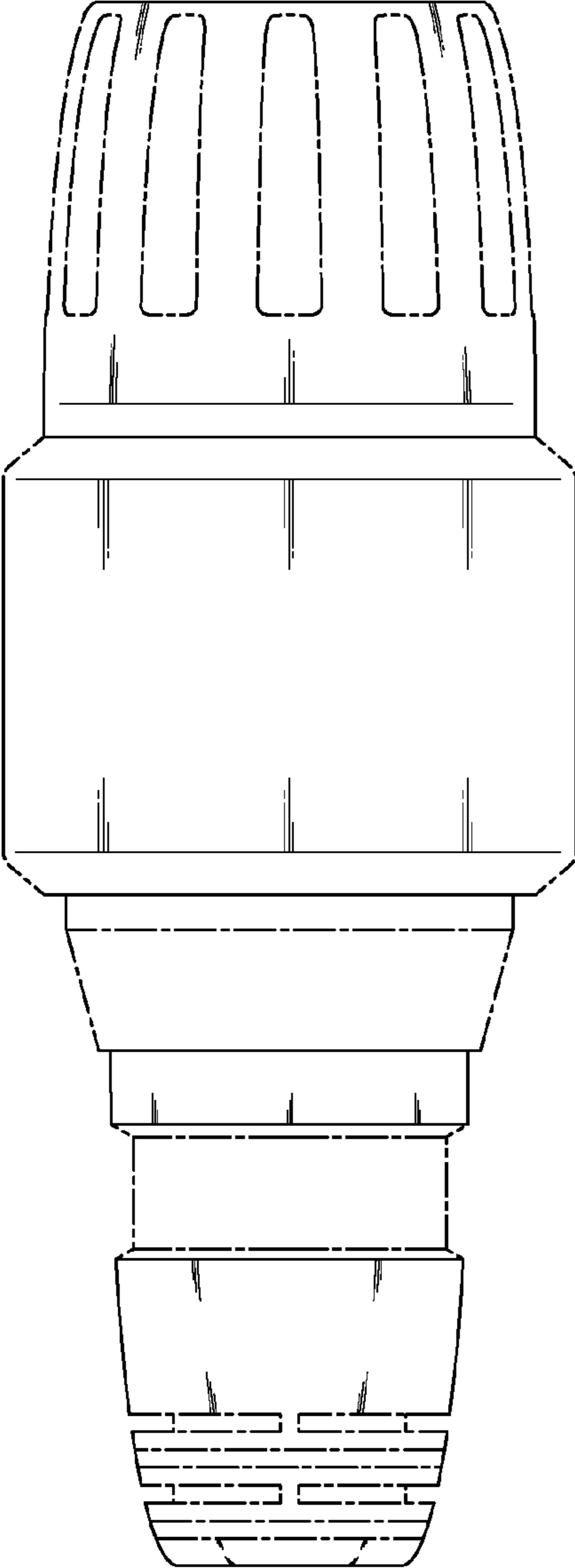


FIG. 3

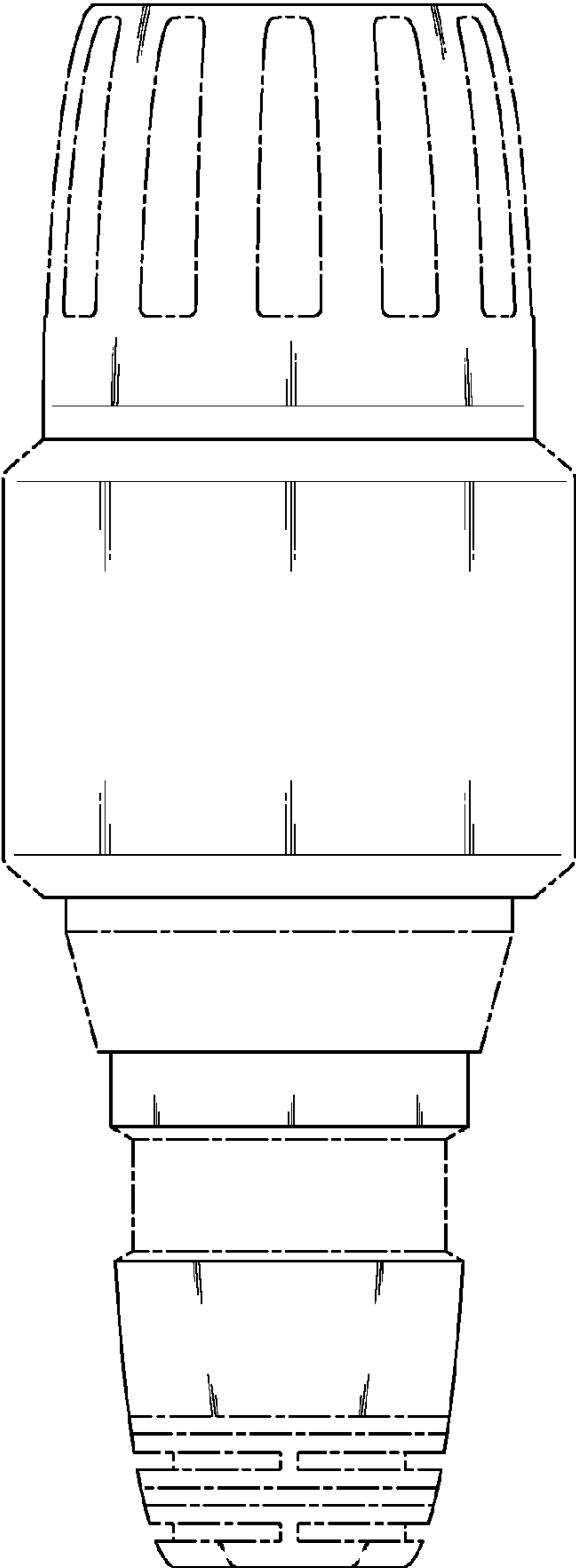


FIG. 4

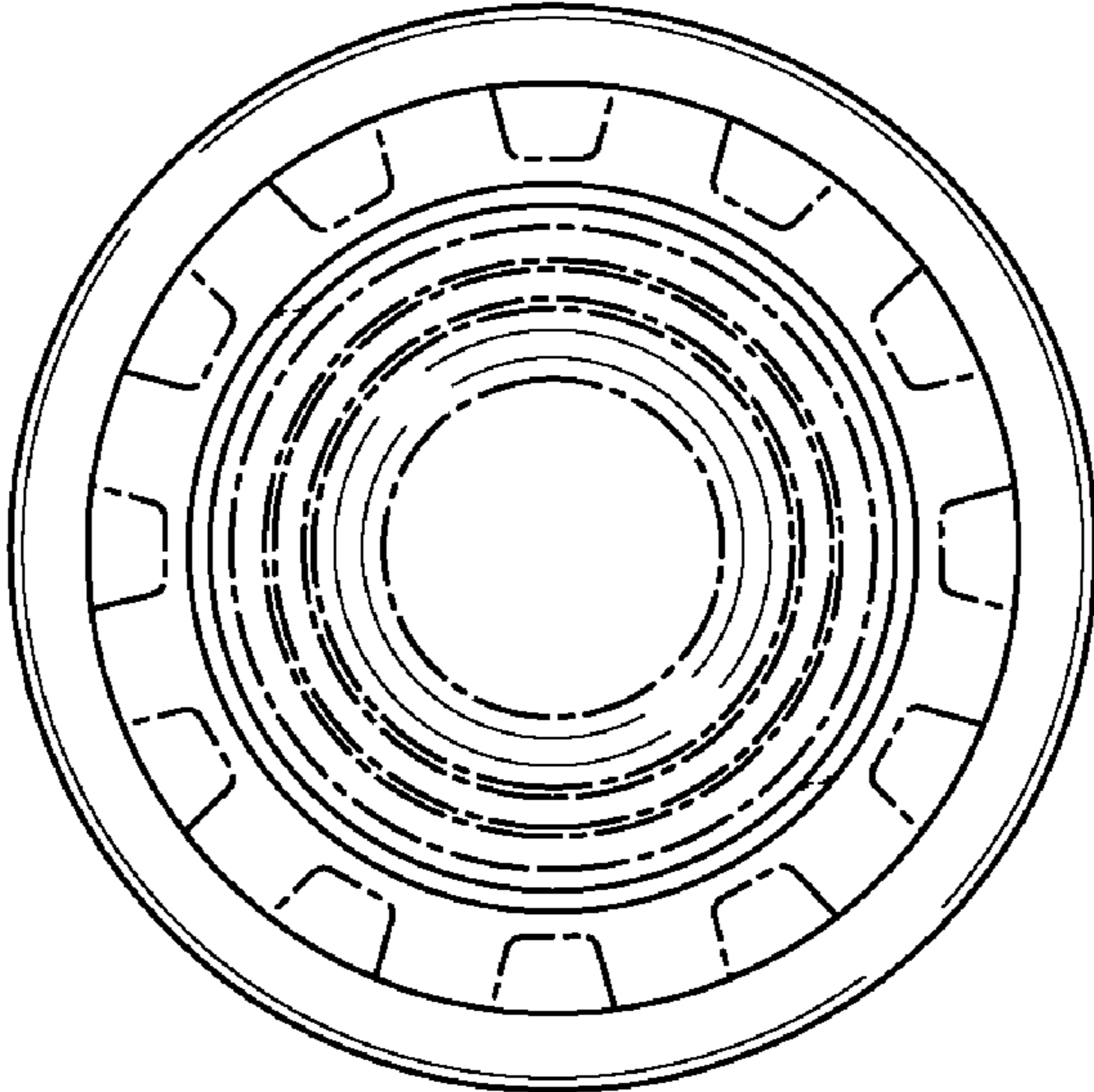


FIG. 6

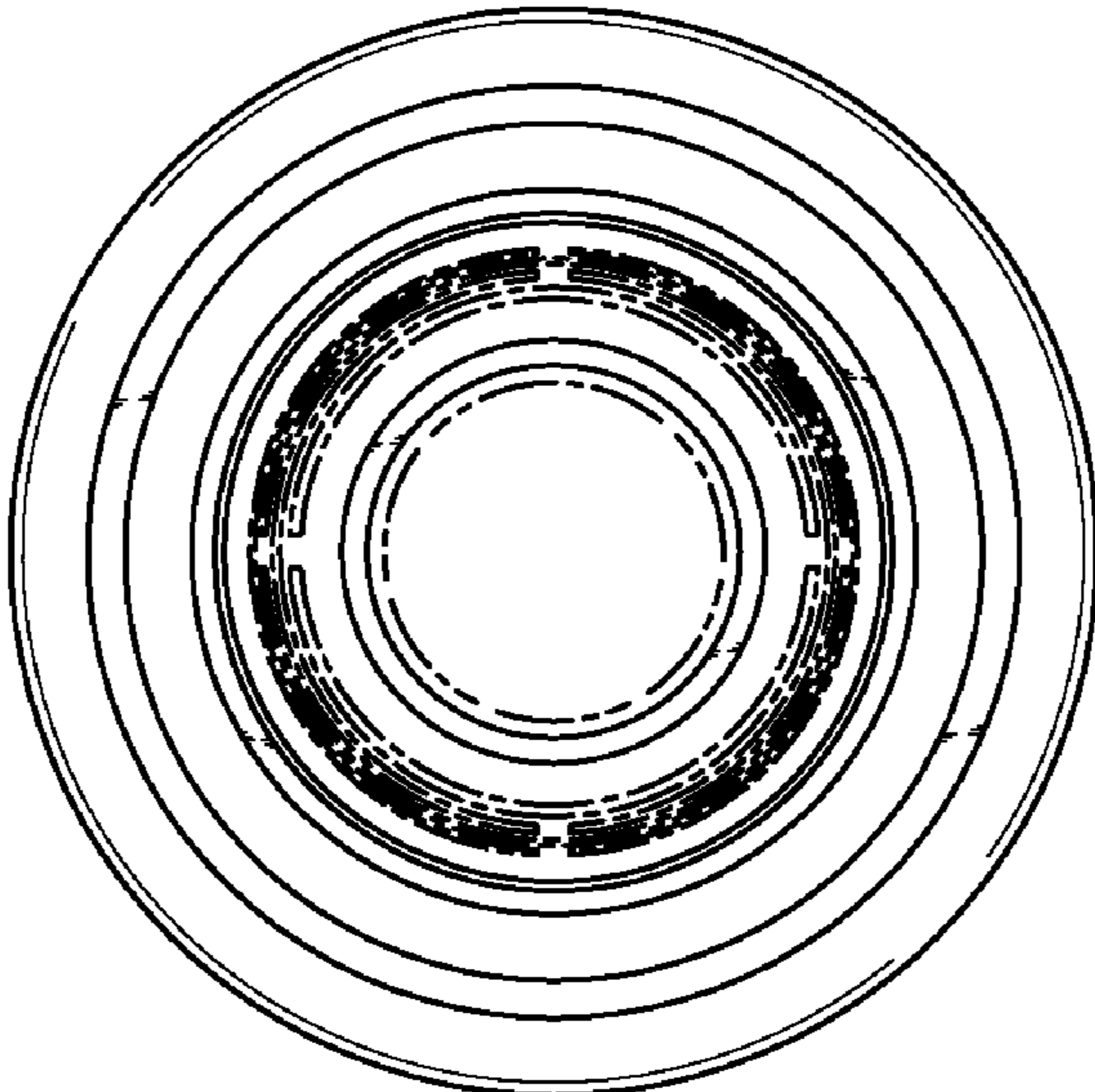


FIG. 5