



US00D659100S

(12) **United States Design Patent**
Deiss

(10) **Patent No.:** **US D659,100 S**

(45) **Date of Patent:** **** May 8, 2012**

(54) **ELECTRICAL CONNECTOR**

(75) **Inventor:** **Werner Deiss, Waiblingen (DE)**

(73) **Assignee:** **ITT Manufacturing Enterprises, Inc.,
Wilmington, DE (US)**

(**) **Term:** **14 Years**

(21) **Appl. No.:** **29/370,924**

(22) **Filed:** **Sep. 22, 2010**

(30) **Foreign Application Priority Data**

Apr. 15, 2010 (EM) 001695669

(51) **LOC (9) Cl.** **13-03**

(52) **U.S. Cl.** **D13/151**

(58) **Field of Classification Search** D13/133,
D13/146-149, 151, 153, 154, 156, 199; 439/133,
439/142, 314, 318, 677, 680, 695; 174/67;
220/242

See application file for complete search history.

(56) **References Cited**

U.S. PATENT DOCUMENTS

D400,170 S * 10/1998 Asai et al. D13/133
6,932,615 B1 * 8/2005 Yeo 439/63
D513,606 S * 1/2006 Yamane D13/149

D525,202 S * 7/2006 Bihrer D13/146
D535,619 S * 1/2007 Nagata D13/133
D581,363 S * 11/2008 Cummings et al. D13/151
D581,364 S * 11/2008 Cummings et al. D13/151
D601,504 S * 10/2009 Rupp et al. D13/147
D601,964 S * 10/2009 Rupp et al. D13/147
2006/0046547 A1 * 3/2006 Matsuo 439/188
2008/0261446 A1 * 10/2008 Arnaud et al. 439/578

* cited by examiner

Primary Examiner — Thomas Johannes

(74) *Attorney, Agent, or Firm* — Peter Van Winkle

(57) **CLAIM**

The ornamental design for an electrical connector, as shown and described.

DESCRIPTION

FIG. 1 is a front isometric view of an electrical connector showing my design.

FIG. 2 is a right side elevation view thereof.

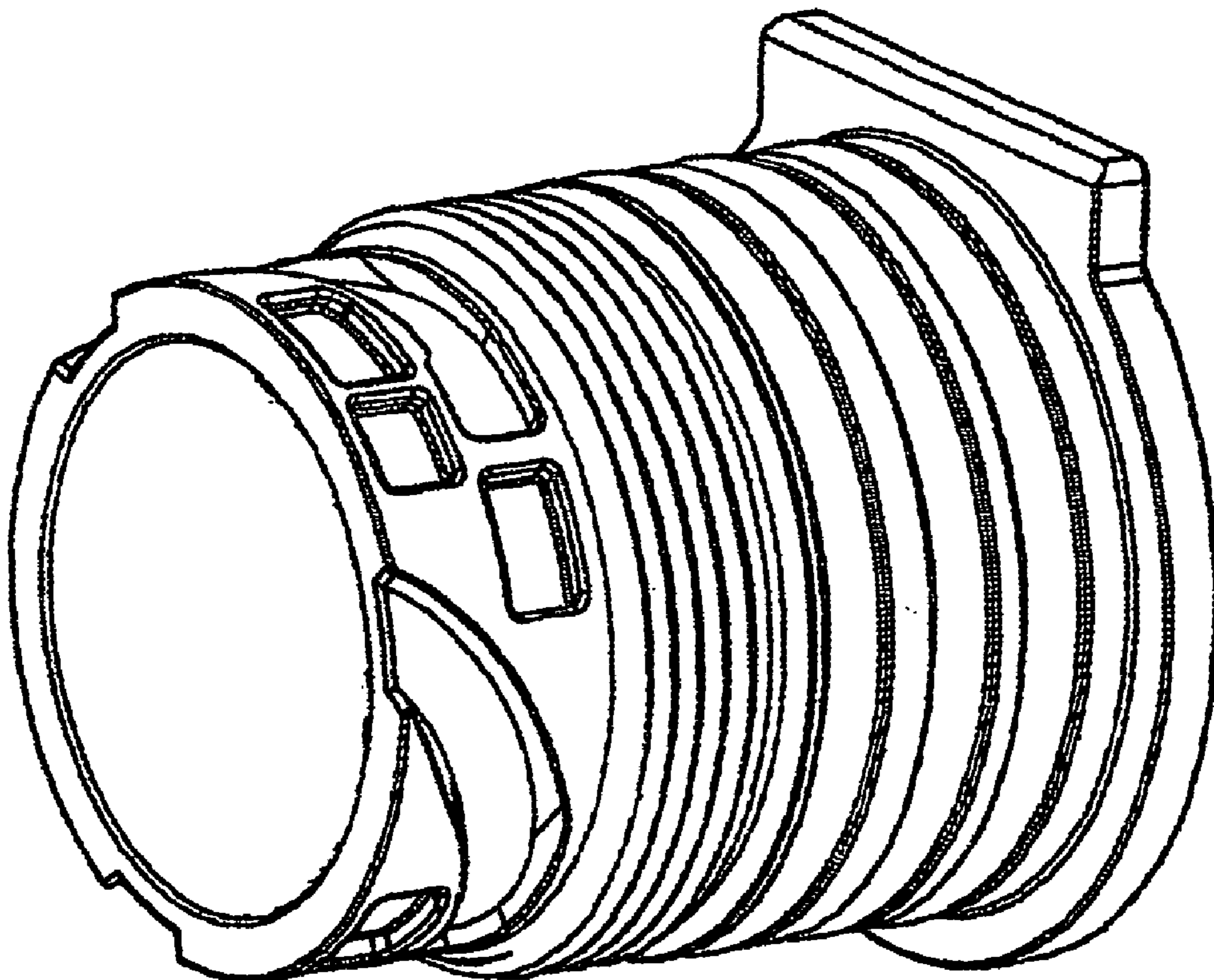
FIG. 3 is a left side elevation view thereof.

FIG. 4 is a top view thereof.

FIG. 5 is a bottom view thereof; and,

FIG. 6 is front elevation view thereof, the rear elevation view being a mirror image thereof.

1 Claim, 3 Drawing Sheets



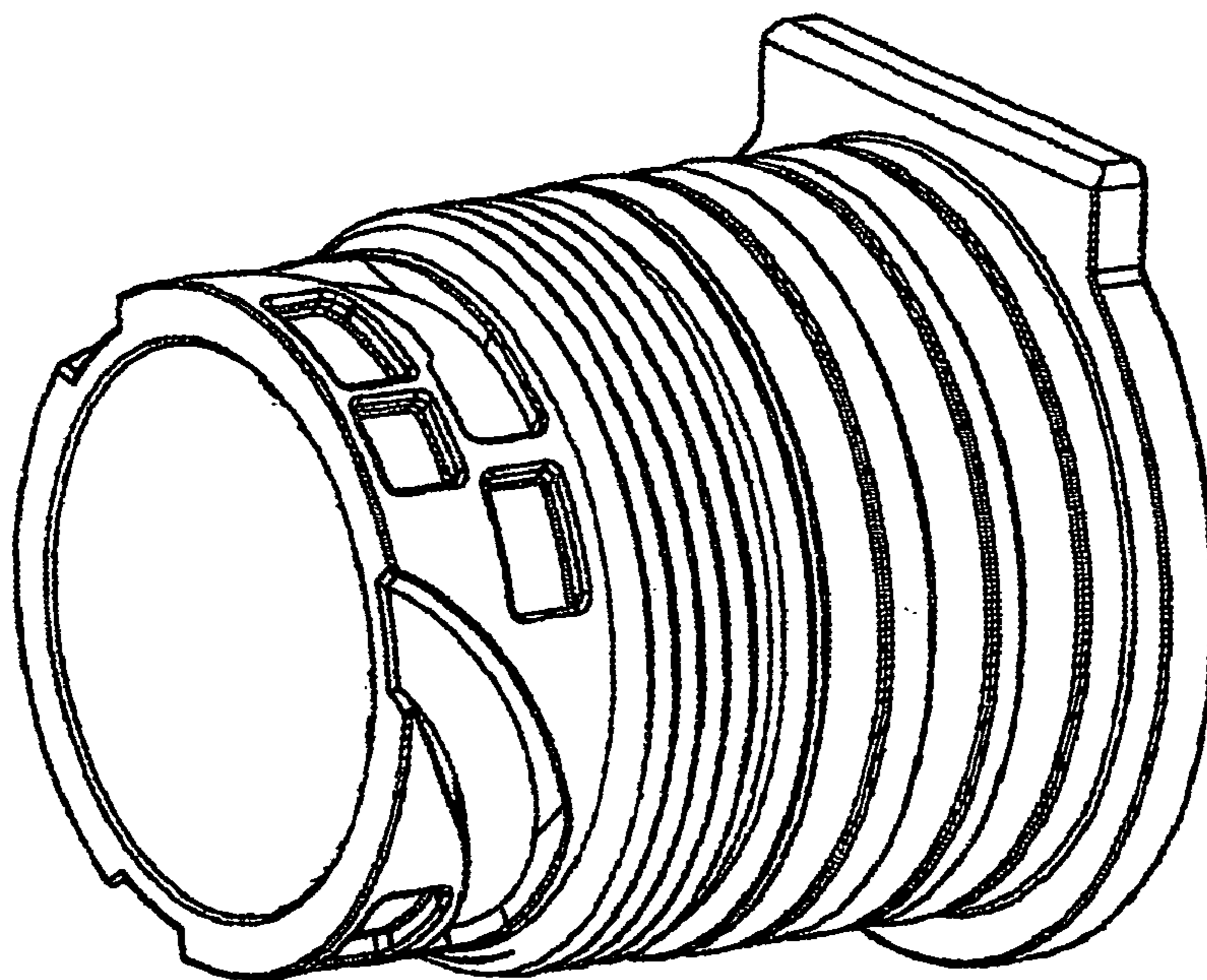


FIG. 1

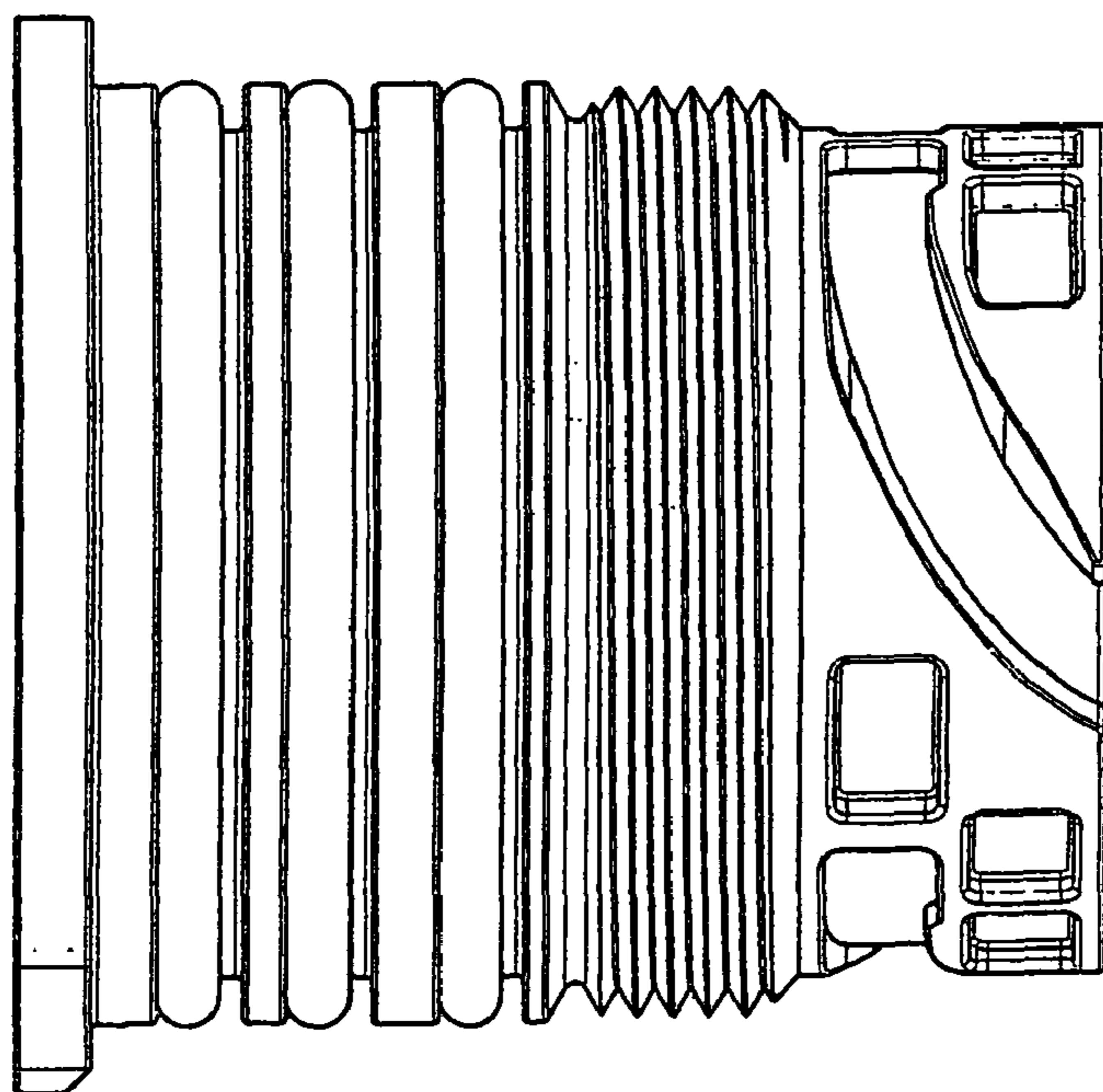


FIG. 2

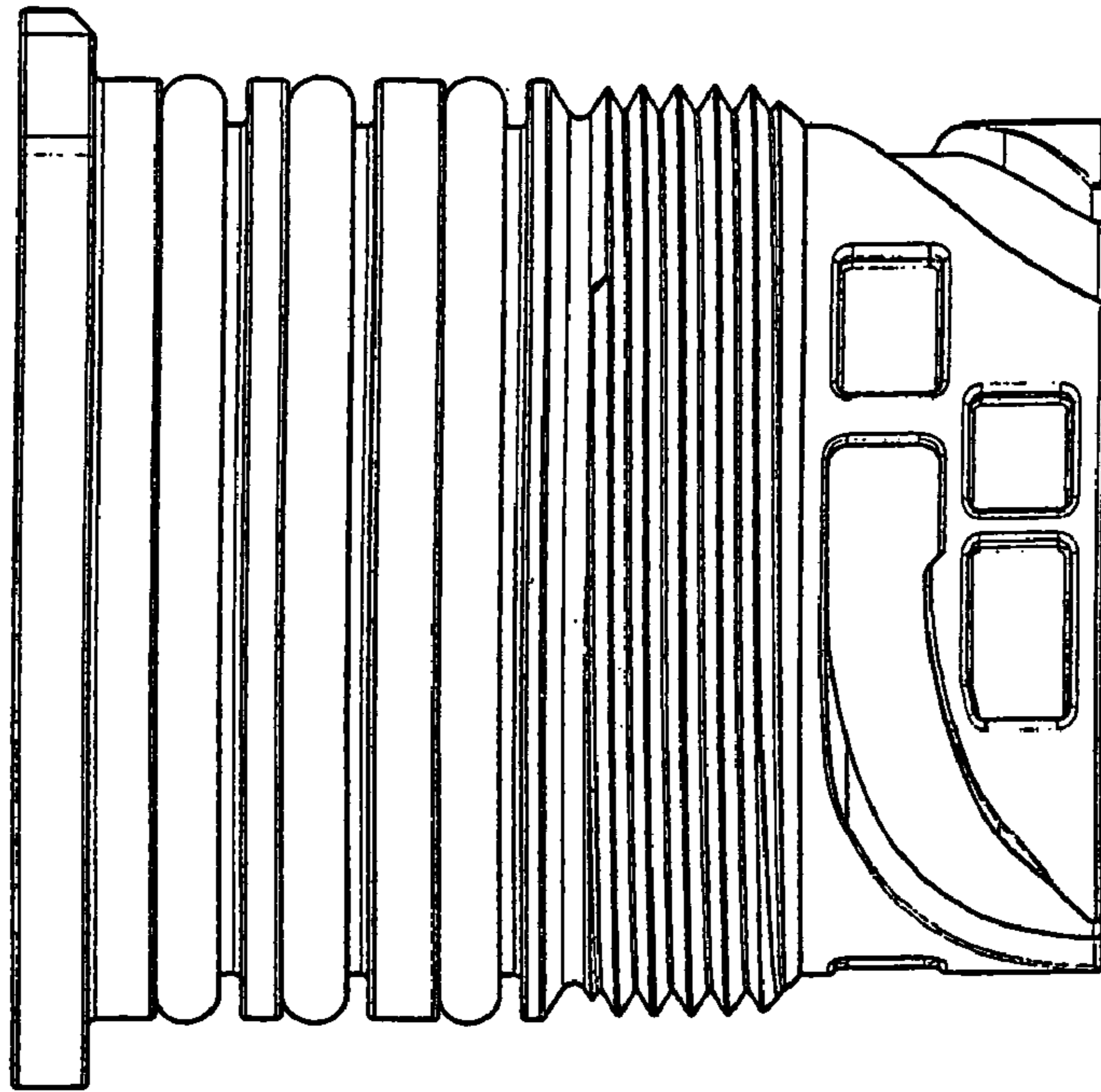


FIG. 3

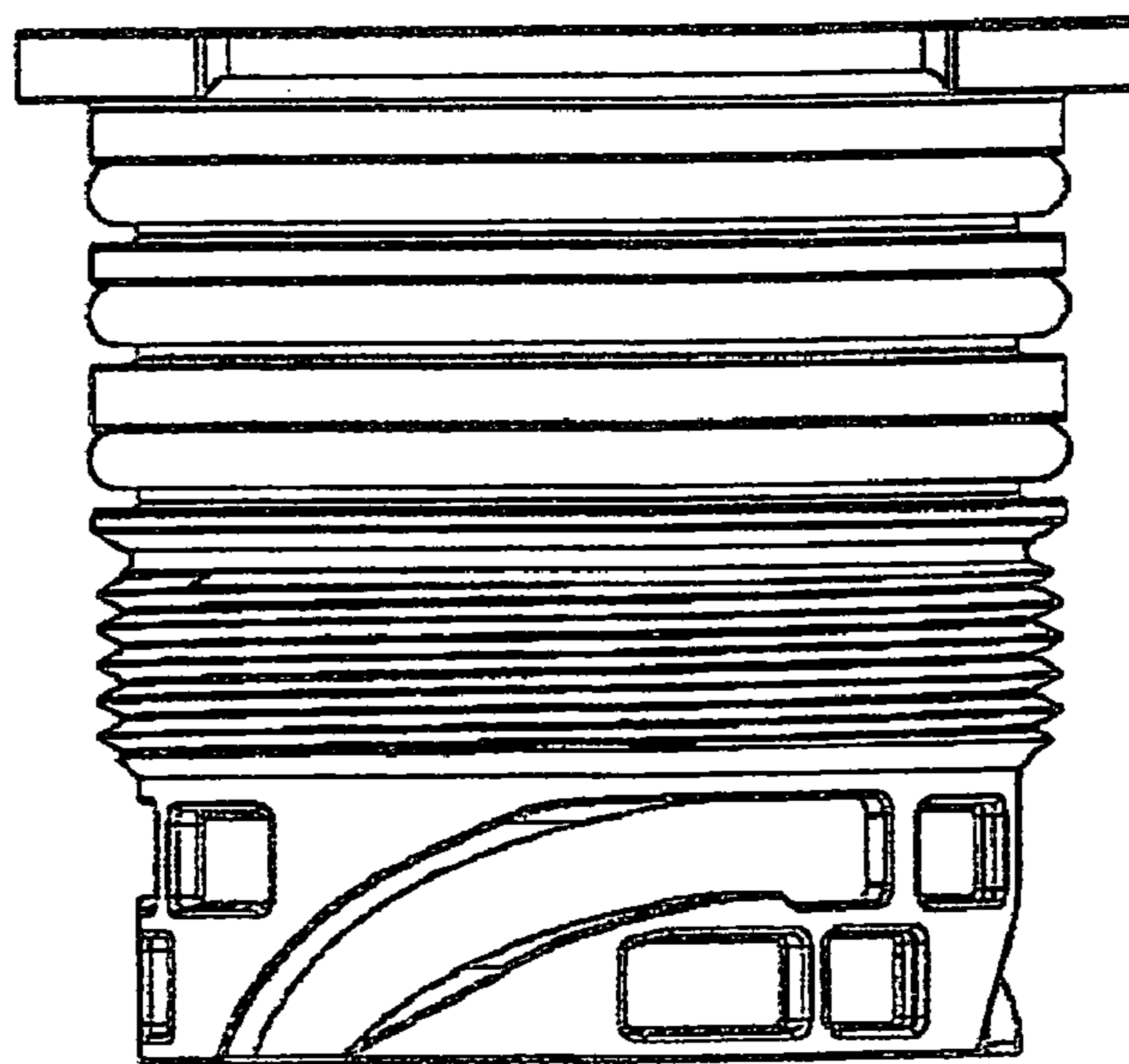


FIG. 4

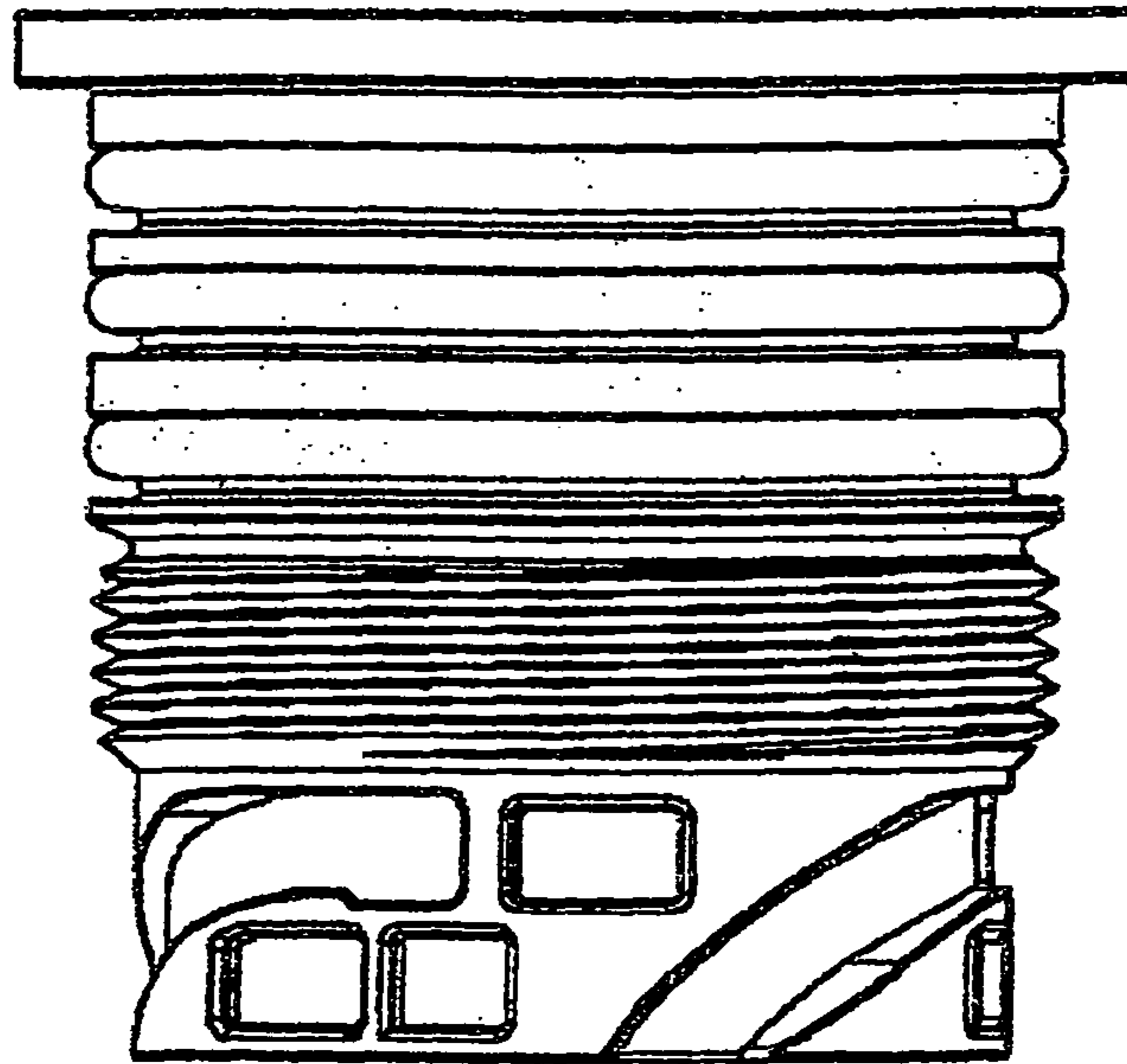


FIG. 5

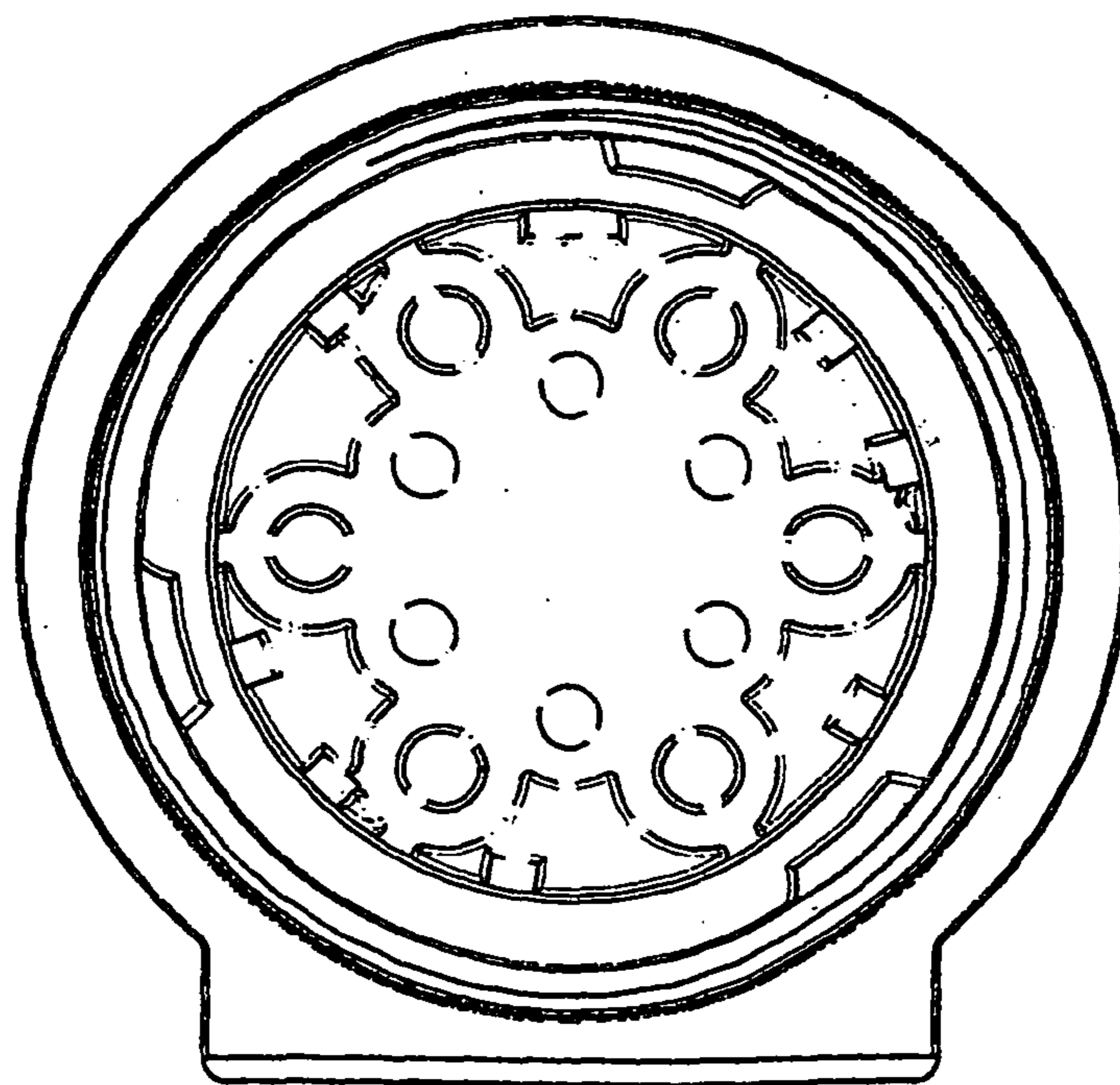


FIG. 6