



US00D659099S

(12) **United States Design Patent**  
**Svelnis et al.**

(10) **Patent No.:** **US D659,099 S**  
(45) **Date of Patent:** **\*\* May 8, 2012**

(54) **FRONT HOUSING FOR TOOL-RELEASABLE  
RIGHT ANGLE SOLAR POWER  
CONNECTOR**

(75) Inventors: **Christine M Svelnis**, Boylston, MA  
(US); **Jeffrey R Waegelin**, Shrewsbury,  
MA (US); **Jeffrey S Burkhardt**,  
Brookline, NH (US); **Brian F Davies**,  
Acton, MA (US)

(73) Assignee: **Anderson Power Products, Inc.**,  
Sterling, MA (US)

(\*\*) Term: **14 Years**

(21) Appl. No.: **29/367,458**

(22) Filed: **Aug. 9, 2010**

(51) **LOC (9) Cl.** ..... **13-03**

(52) **U.S. Cl.** ..... **D13/151**

(58) **Field of Classification Search** ..... D13/133,  
D13/146-149, 151, 153, 154, 156, 199; 439/352,  
439/354, 357, 374, 637-638, 660, 680  
See application file for complete search history.

(56) **References Cited**

U.S. PATENT DOCUMENTS

D324,206 S	2/1992	Sueyoshi et al.
7,022,914 B1	4/2006	Kiely
7,164,086 B1	1/2007	Kiely
7,214,890 B2	5/2007	Kiely et al.

D554,067 S	*	10/2007	Phung et al.	.....	D13/151
D594,413 S	*	6/2009	Palka et al.	.....	D13/133
D604,242 S		11/2009	Kiely		
D613,246 S		4/2010	Muecke et al.		
D620,888 S		8/2010	Svelnis et al.		
D621,355 S		8/2010	Svelnis		
D627,733 S		11/2010	Stutz		
D636,346 S	*	4/2011	Svelnis et al.	.....	D13/154
D639,250 S	*	6/2011	Svelnis et al.	.....	D13/154
D643,371 S	*	8/2011	Svelnis et al.	.....	D13/154
2006/0276071 A1		12/2006	Rossi		

\* cited by examiner

*Primary Examiner* — Thomas Johannes

(74) *Attorney, Agent, or Firm* — Maine Cernota & Rardin

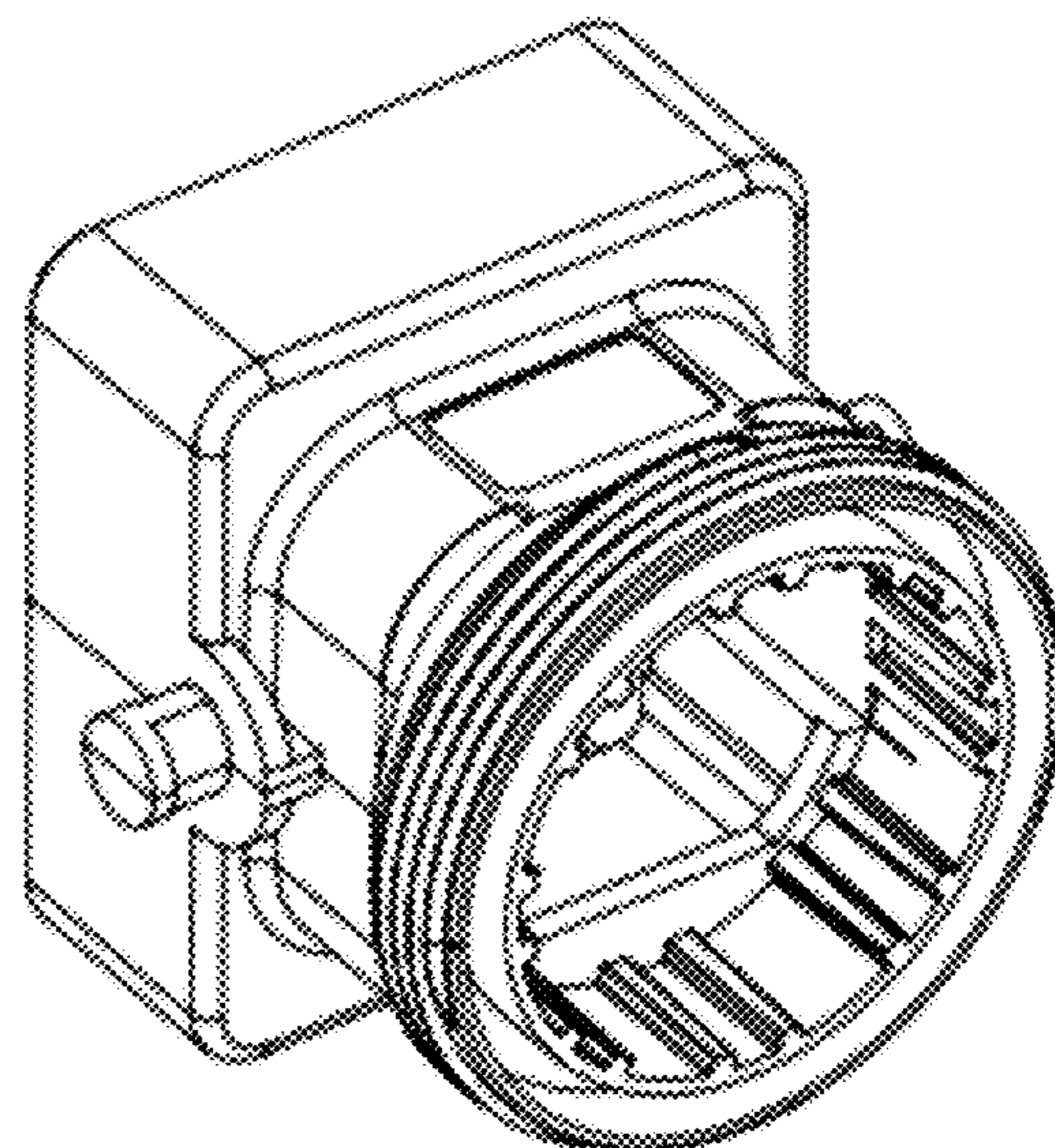
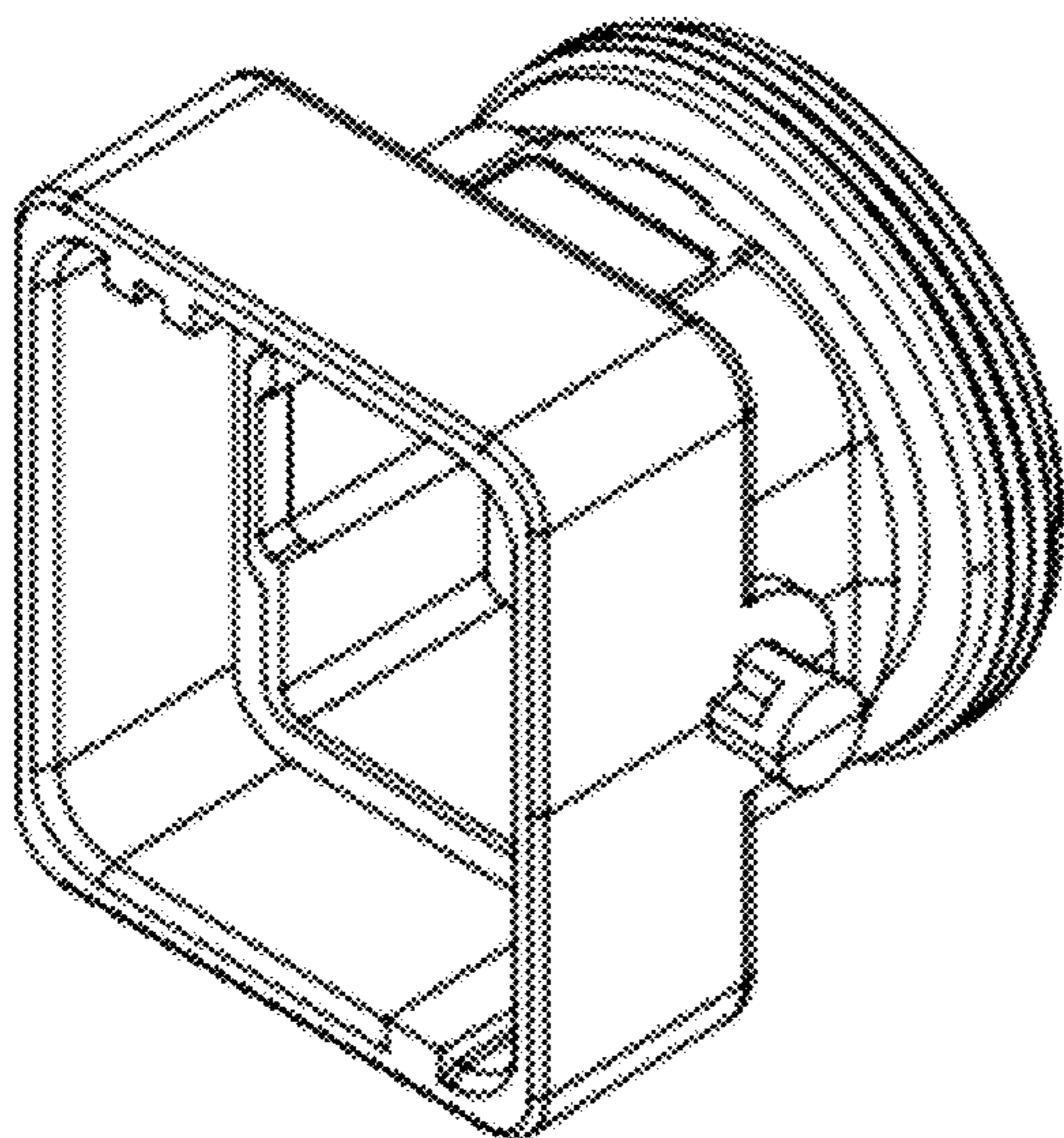
(57) **CLAIM**

The ornamental design for a front housing for tool-releasable right angle solar power connector, as shown and described.

**DESCRIPTION**

FIG. 1 is a front view of the front housing for tool-releasable right angle solar power connector, showing our new design; FIG. 2 is a back view thereof; FIG. 3 is a left side view thereof; FIG. 4 is a right side view thereof; FIG. 5 is a top view thereof; FIG. 6 is a bottom view thereof; FIG. 7 is a front, top, left side perspective view thereof; and, FIG. 8 is a back, bottom, right perspective view thereof.

**1 Claim, 8 Drawing Sheets**



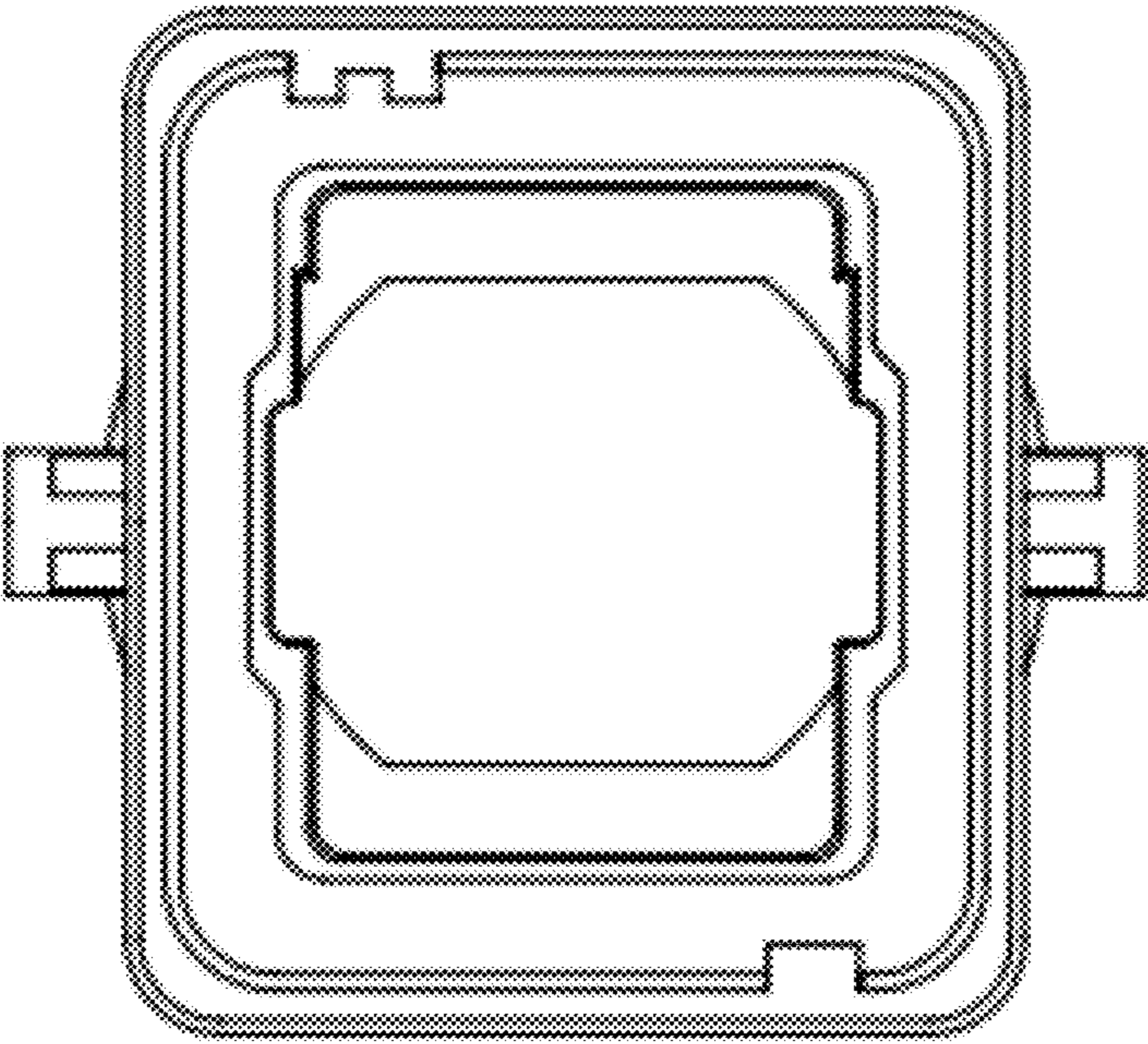


FIG. 1

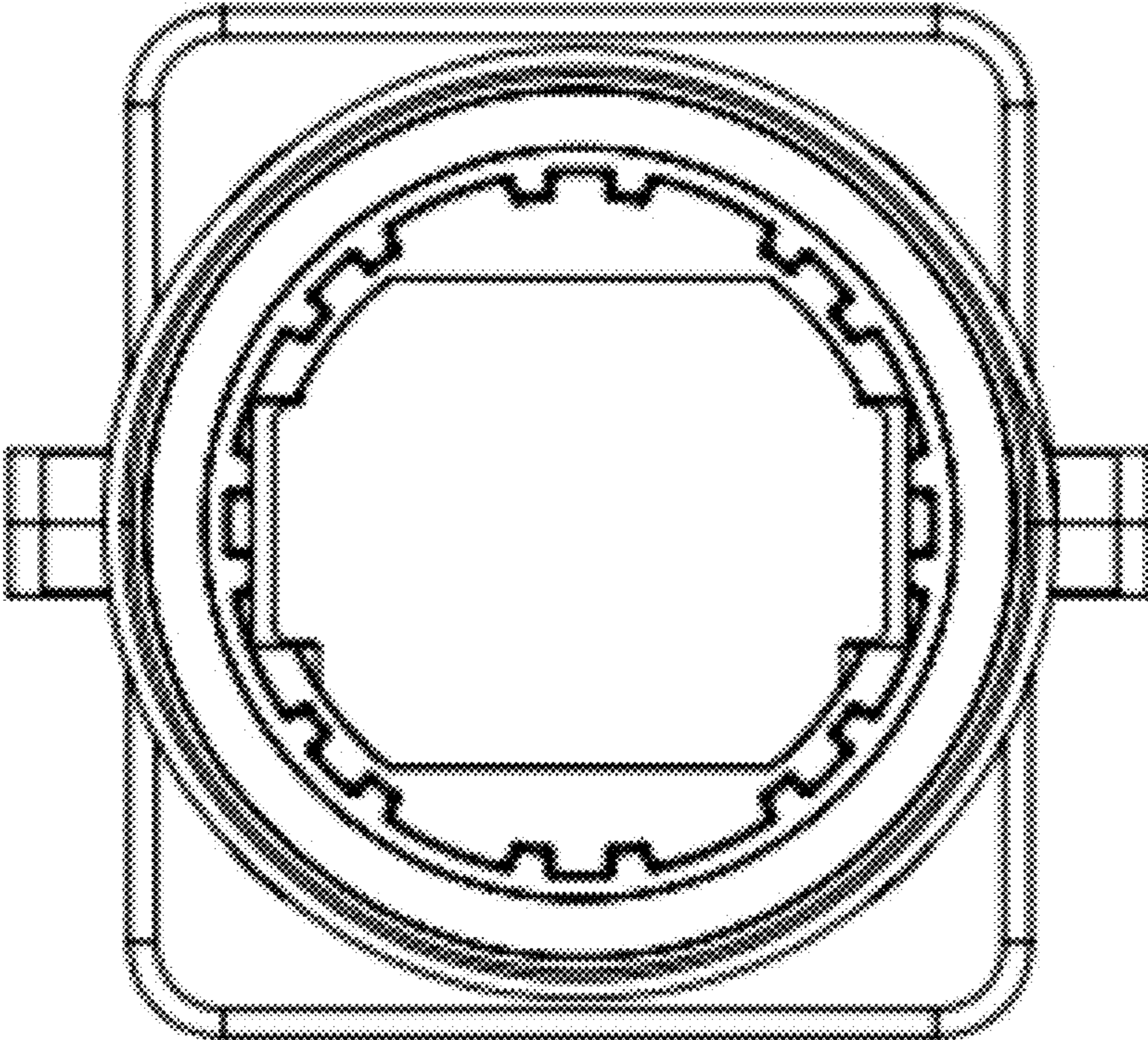


FIG. 2

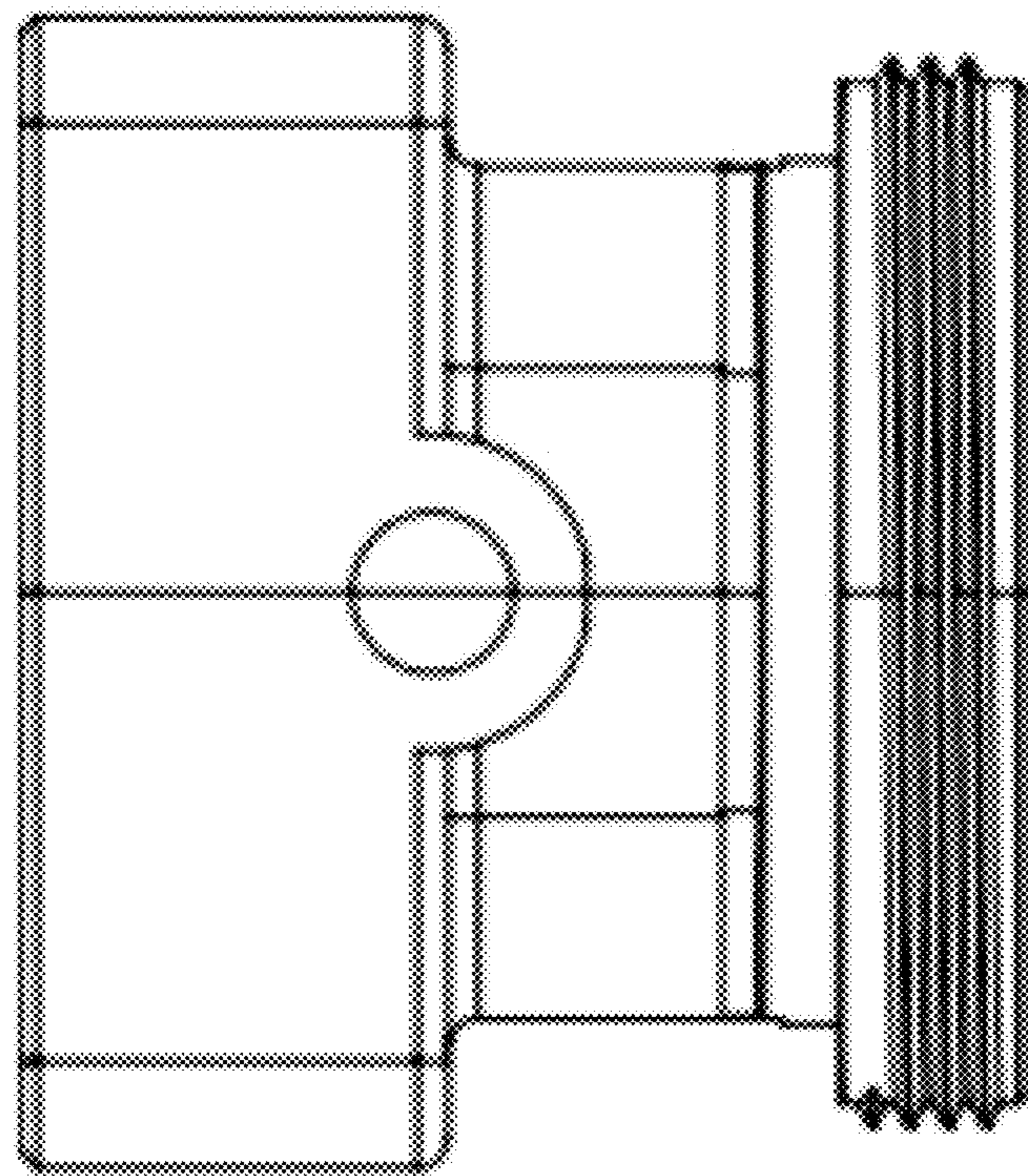


FIG. 3

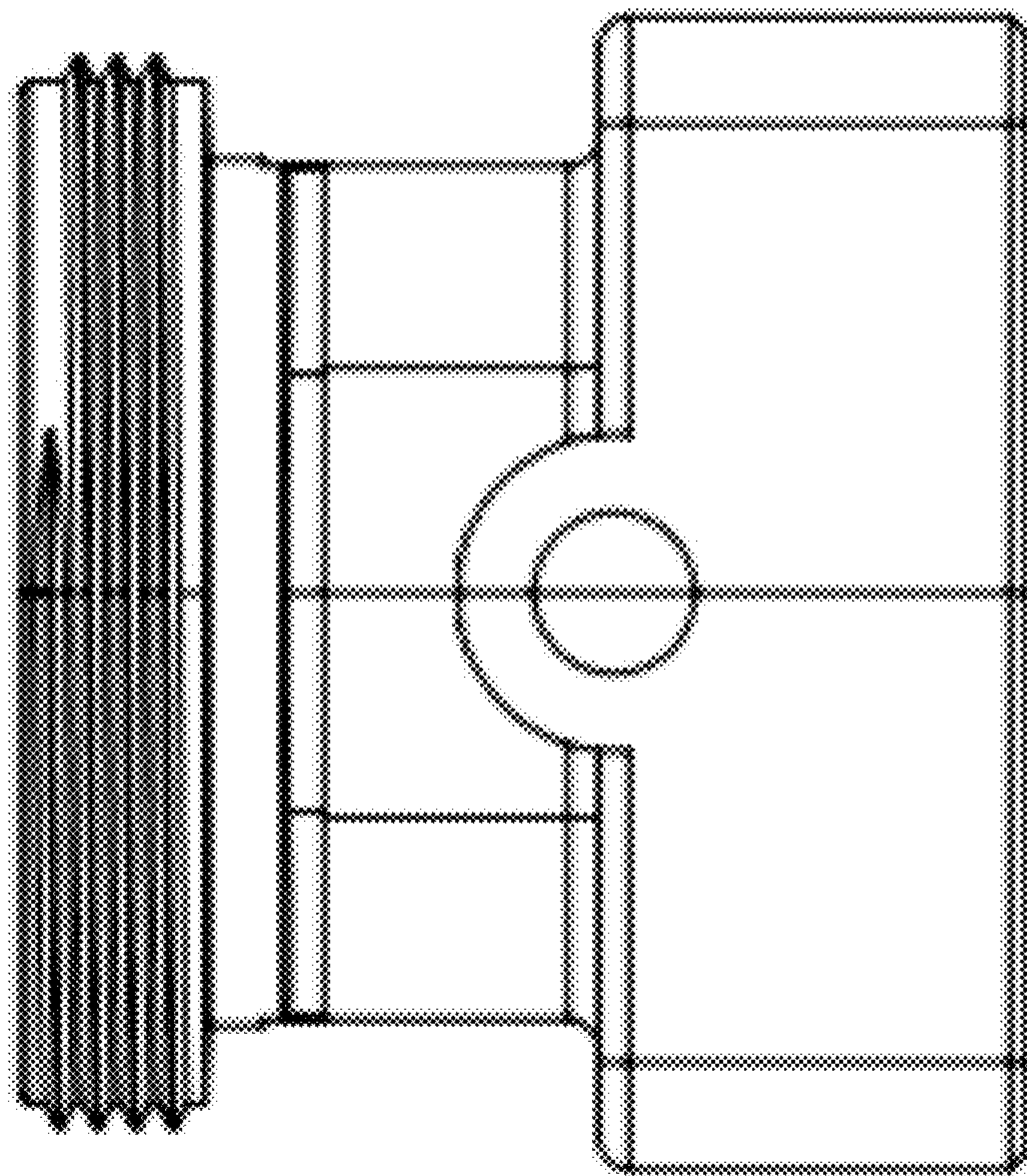


FIG. 4

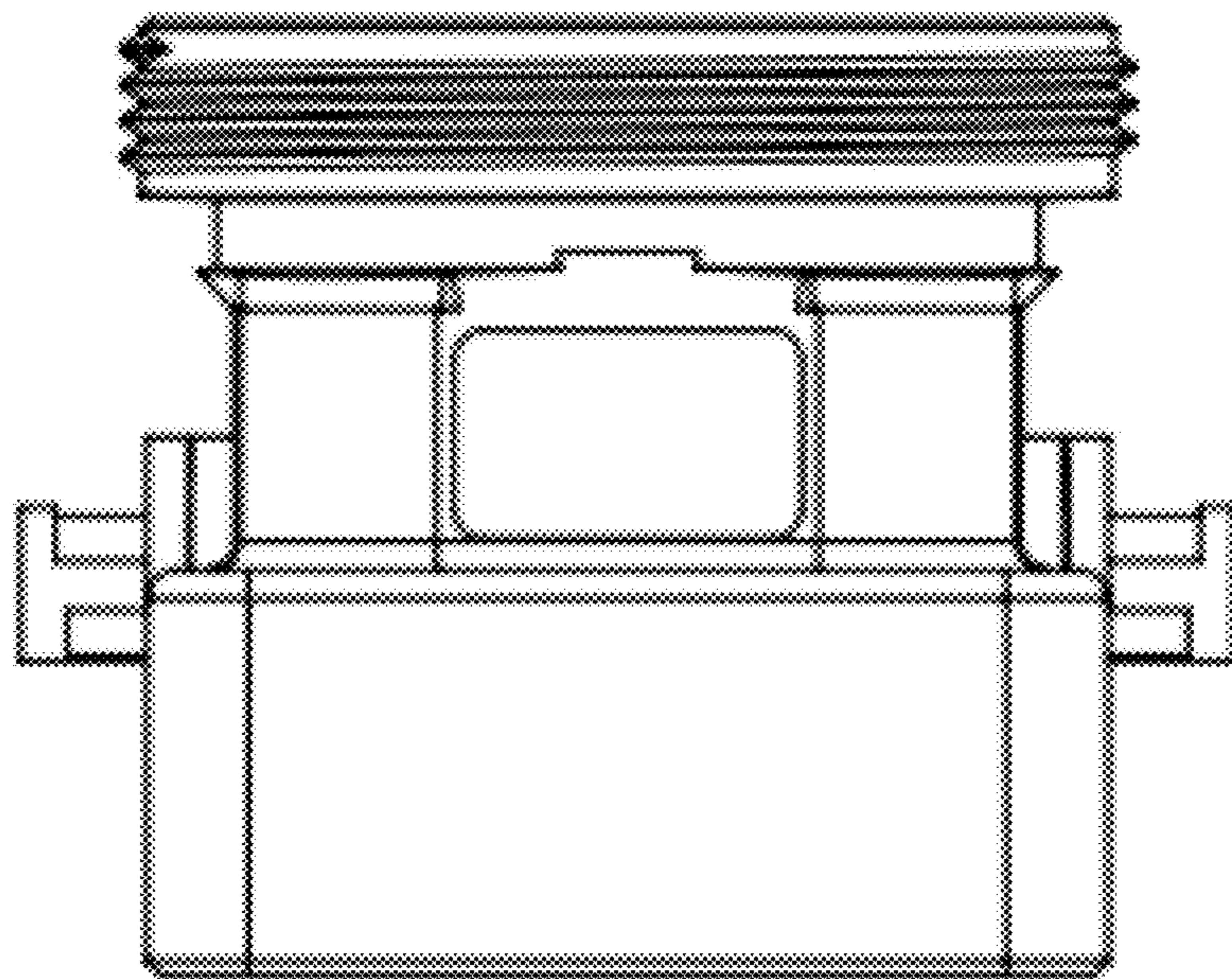


FIG. 5

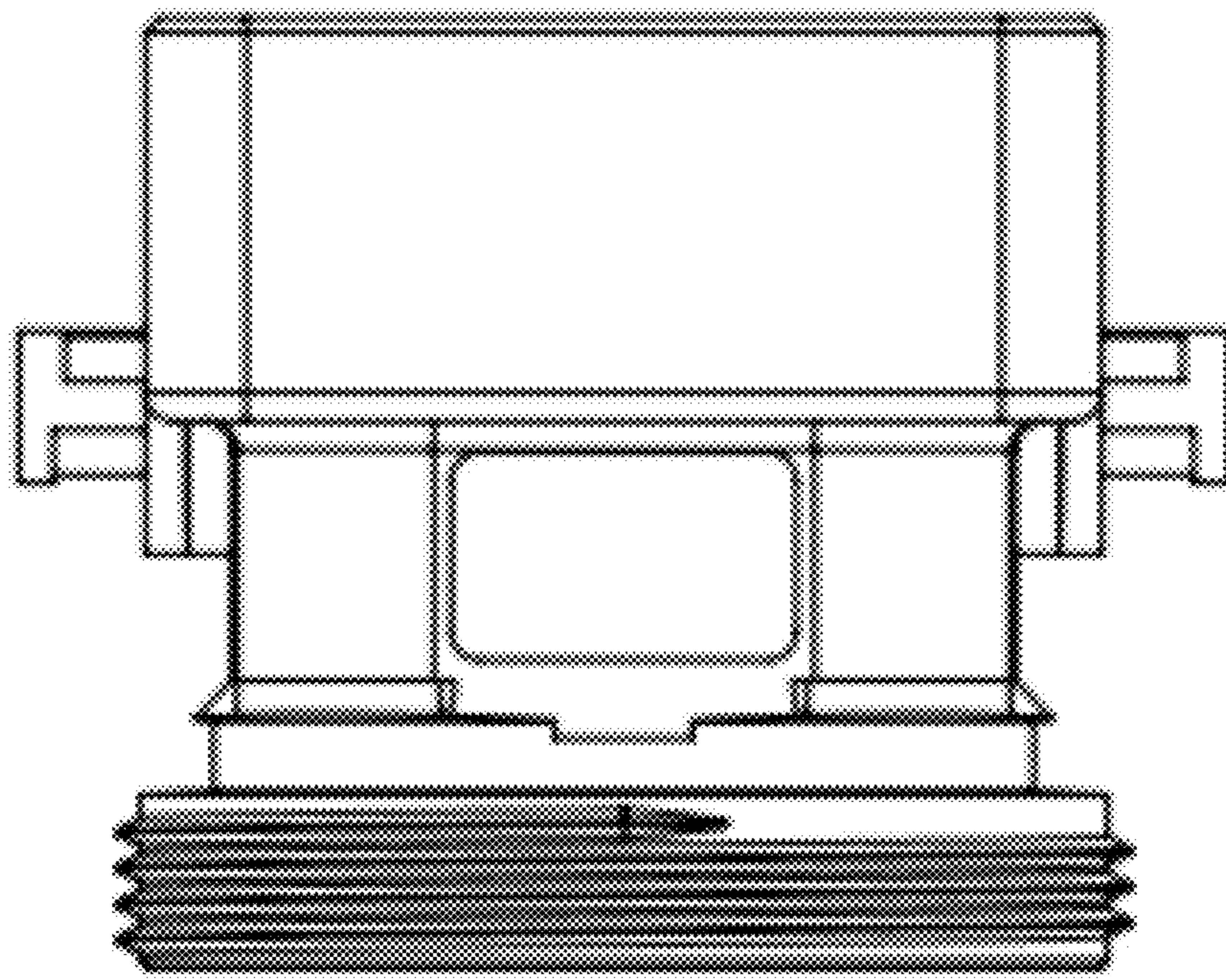


FIG. 6

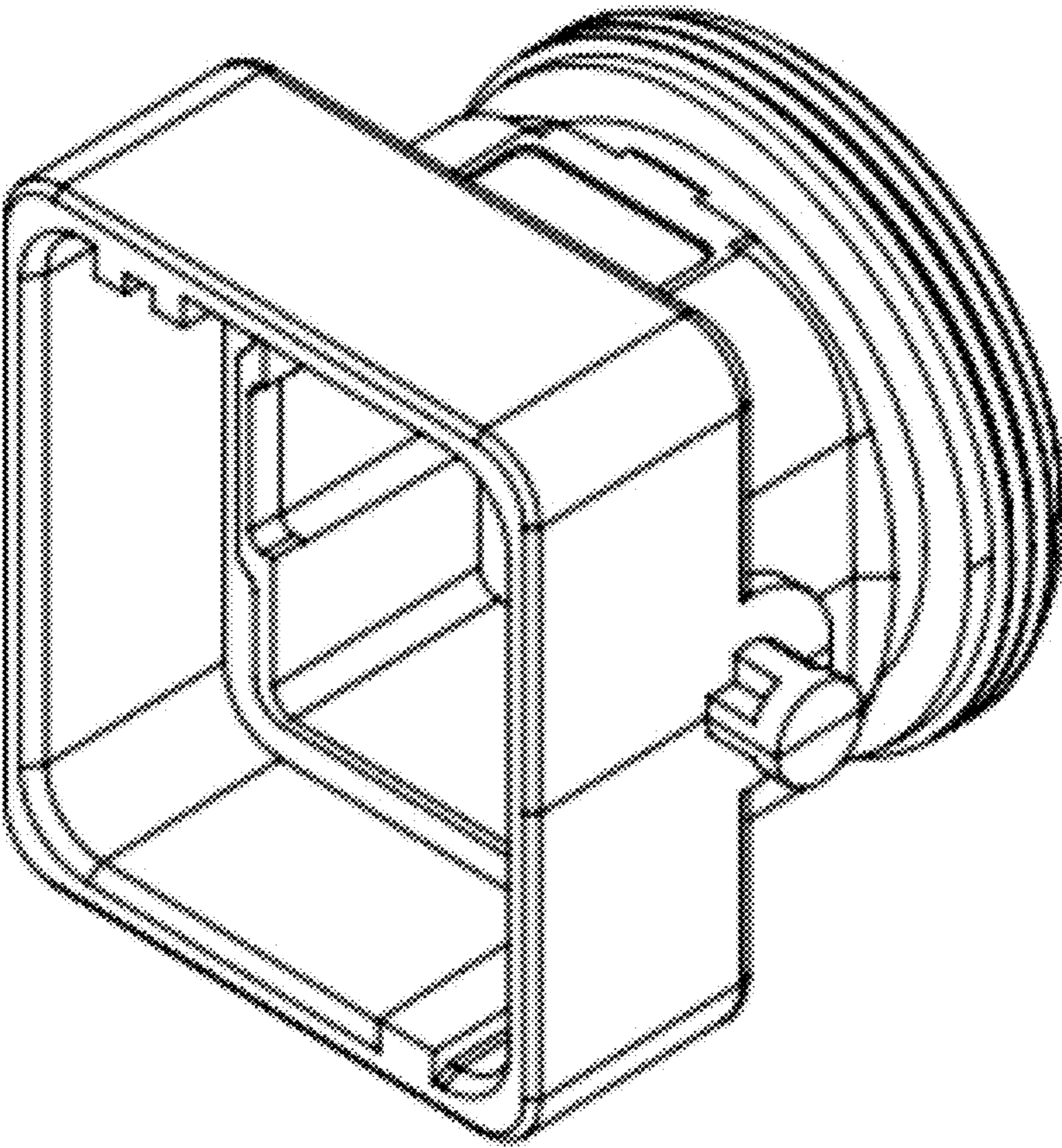


FIG. 7



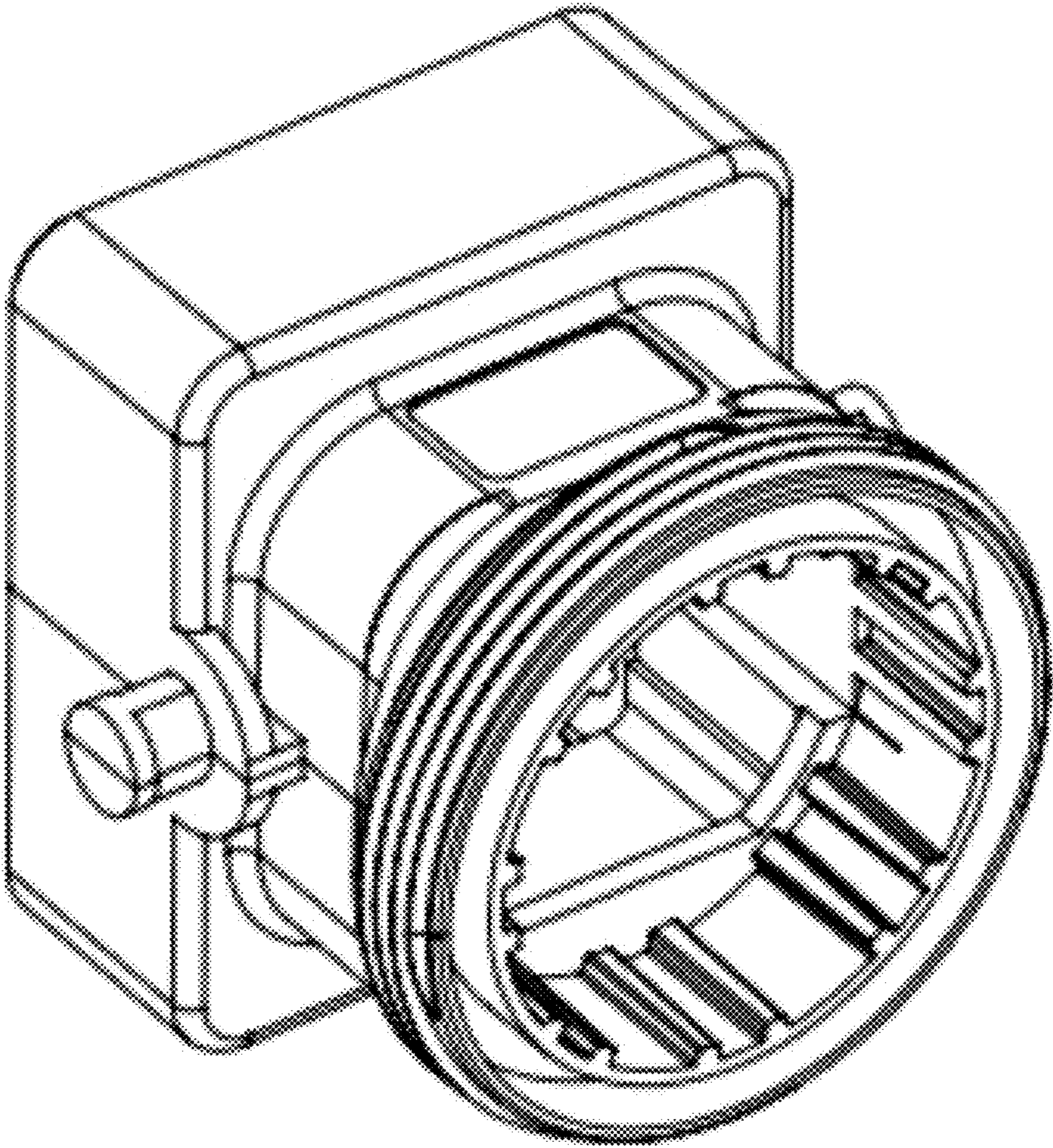


FIG. 8