



US00D659098S

(12) **United States Design Patent**
Svelnis et al.

(10) **Patent No.:** **US D659,098 S**
(45) **Date of Patent:** **** May 8, 2012**

(54) **TOOL-RELEASABLE RIGHT ANGLE SOLAR
POWER CONNECTOR HOUSING ASSEMBLY**

(75) Inventors: **Christine M Svelnis**, Boylston, MA
(US); **Jeffrey R Waegelin**, Shrewsbury,
MA (US); **Jeffrey S Burkhardt**,
Brookline, NH (US); **Brian F Davies**,
Acton, MA (US)

(73) Assignee: **Anderson Power Products, Inc.**,
Sterling, MA (US)

(**) Term: **14 Years**

(21) Appl. No.: **29/367,456**

(22) Filed: **Aug. 9, 2010**

(51) **LOC (9) Cl.** **13-03**

(52) **U.S. Cl.** **D13/151**

(58) **Field of Classification Search** D13/133,
D13/146-149, 151, 153, 154, 156, 199; 439/352,
439/354, 357, 374, 637-638, 660, 680
See application file for complete search history.

(56) **References Cited**

U.S. PATENT DOCUMENTS

D324,206	S	2/1992	Sueyoshi et al.	
7,022,914	B1 *	4/2006	Kiely	248/56
7,164,086	B1 *	1/2007	Kiely	174/653
7,214,890	B2 *	5/2007	Kiely et al.	174/666
D554,067	S	10/2007	Phung et al.	
D594,413	S	6/2009	Palka et al.	

D604,242	S *	11/2009	Kiely	D13/133
D613,246	S	4/2010	Muecke et al.	
D620,888	S	8/2010	Svelnis et al.	
D621,355	S	8/2010	Svelnis	
D627,733	S	11/2010	Stutz	
D636,346	S	4/2011	Svelnis et al.	
D639,250	S *	6/2011	Svelnis et al.	D13/154
D643,371	S *	8/2011	Svelnis et al.	D13/154
2006/0276071	A1	12/2006	Rossi	

* cited by examiner

Primary Examiner — Thomas Johannes

(74) *Attorney, Agent, or Firm* — Maine Cernota & Rardin

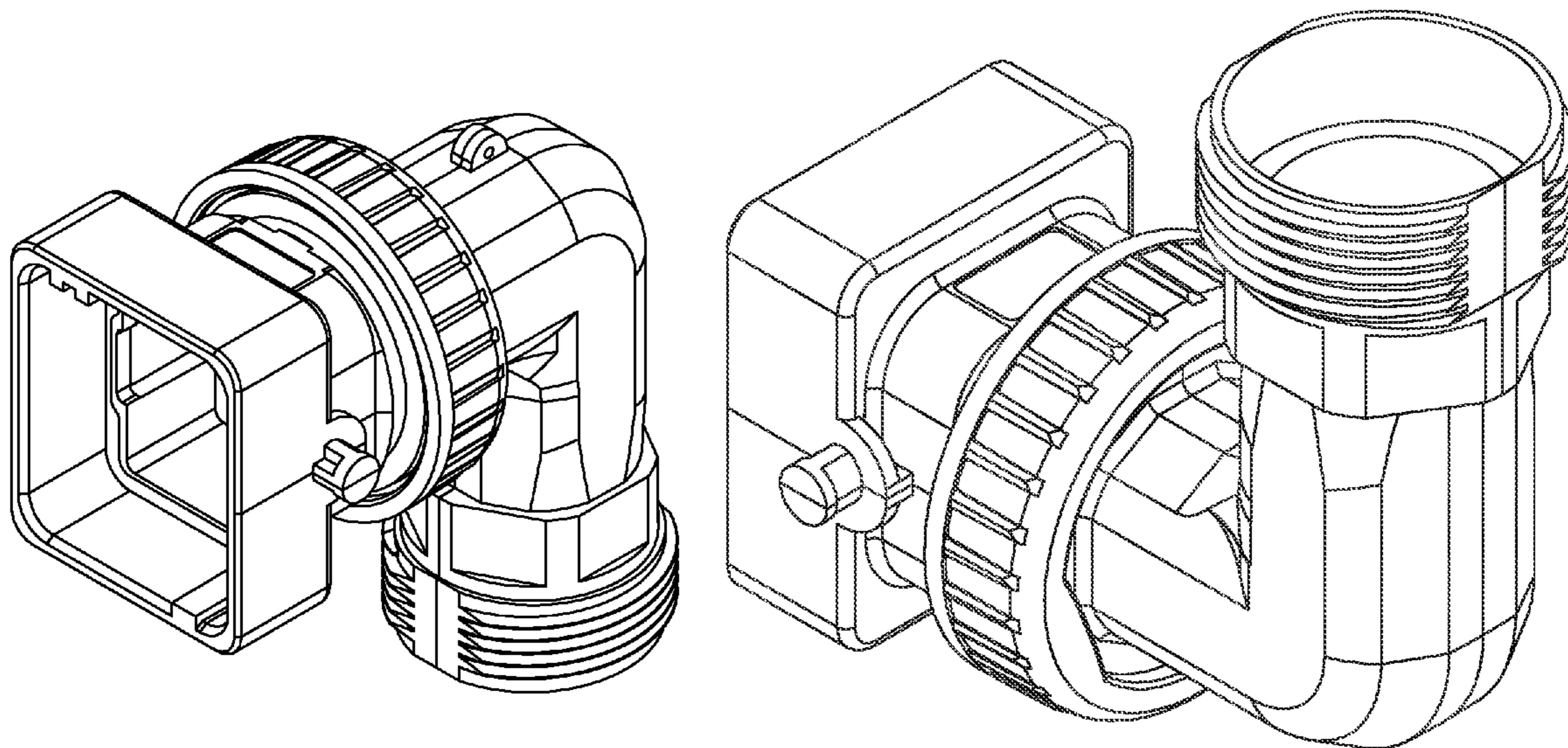
(57) **CLAIM**

The ornamental design for a tool-releasable right angle solar power connector housing assembly, as shown and described.

DESCRIPTION

FIG. 1 is a front view of a tool-releasable right angle solar power connector housing assembly, showing our new design; FIG. 2 is a back view thereof; FIG. 3 is a left side view thereof; FIG. 4 is a right side view thereof; FIG. 5 is a top view thereof; FIG. 6 is a bottom view thereof; FIG. 7 is a front, top, left side perspective view thereof; and, FIG. 8 is a back, bottom, right side perspective view thereof. The broken line portion of the figure drawings is included to show unclaimed subject matter only and forms no part of the claimed design.

1 Claim, 8 Drawing Sheets



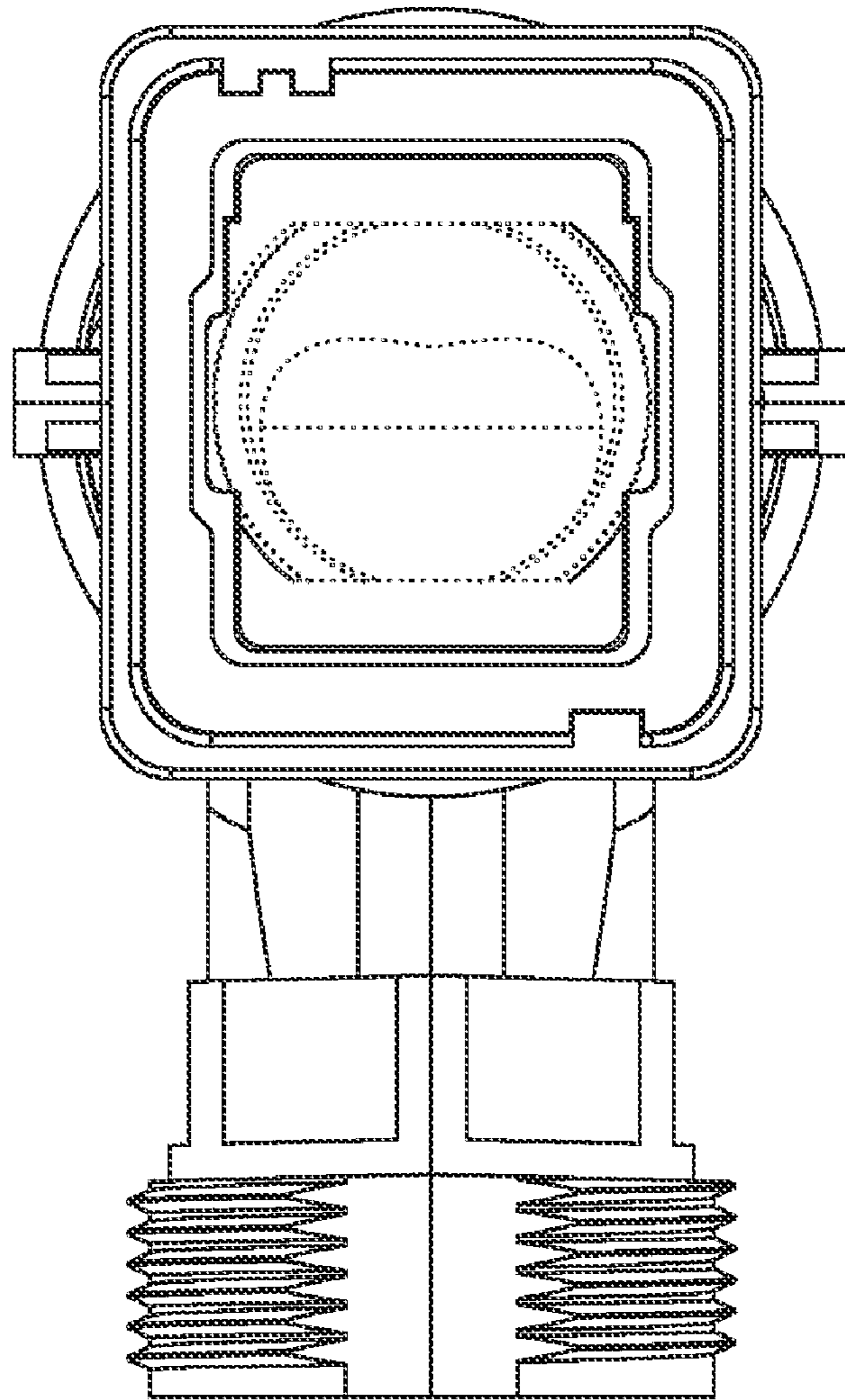


FIG. 1

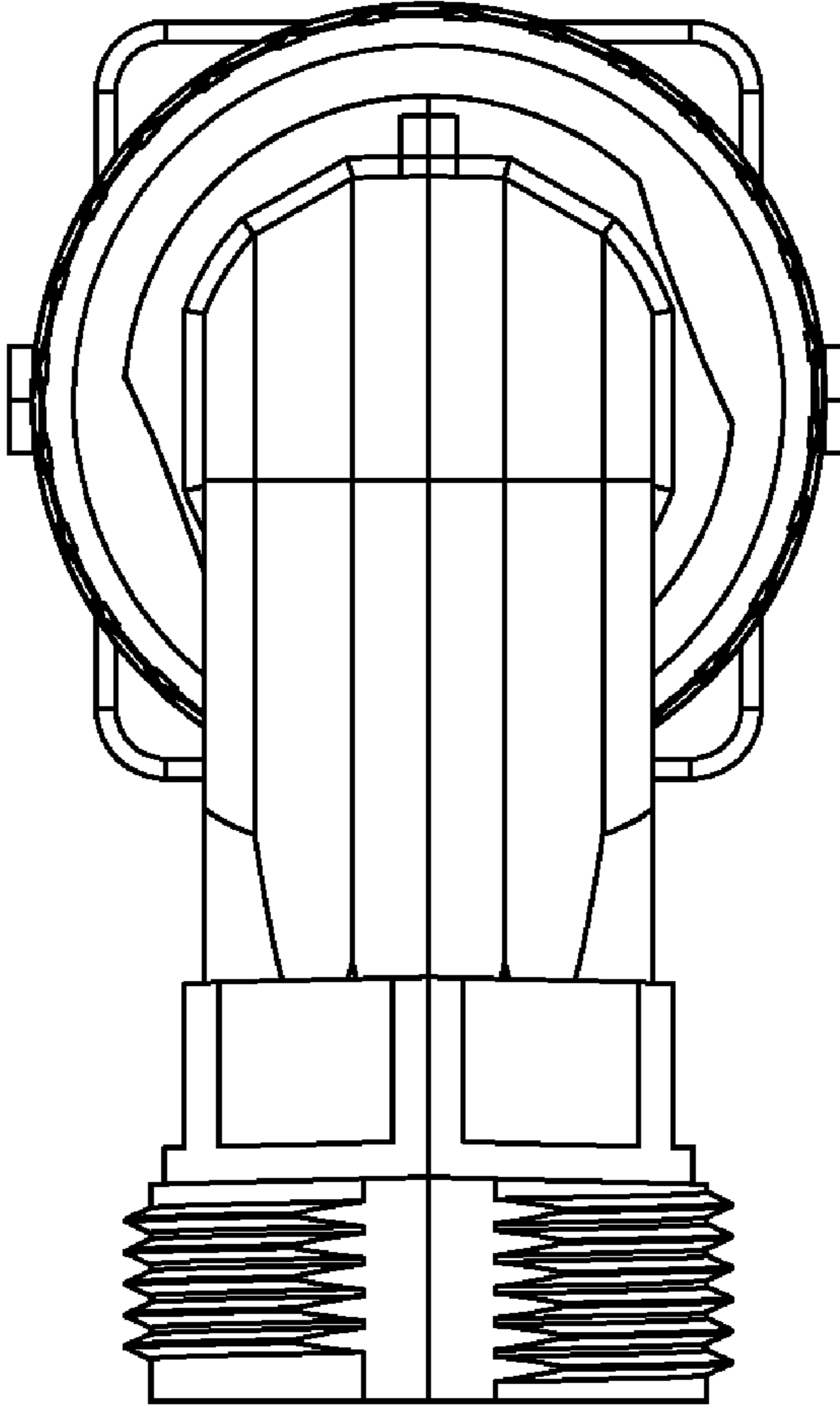


FIG. 2

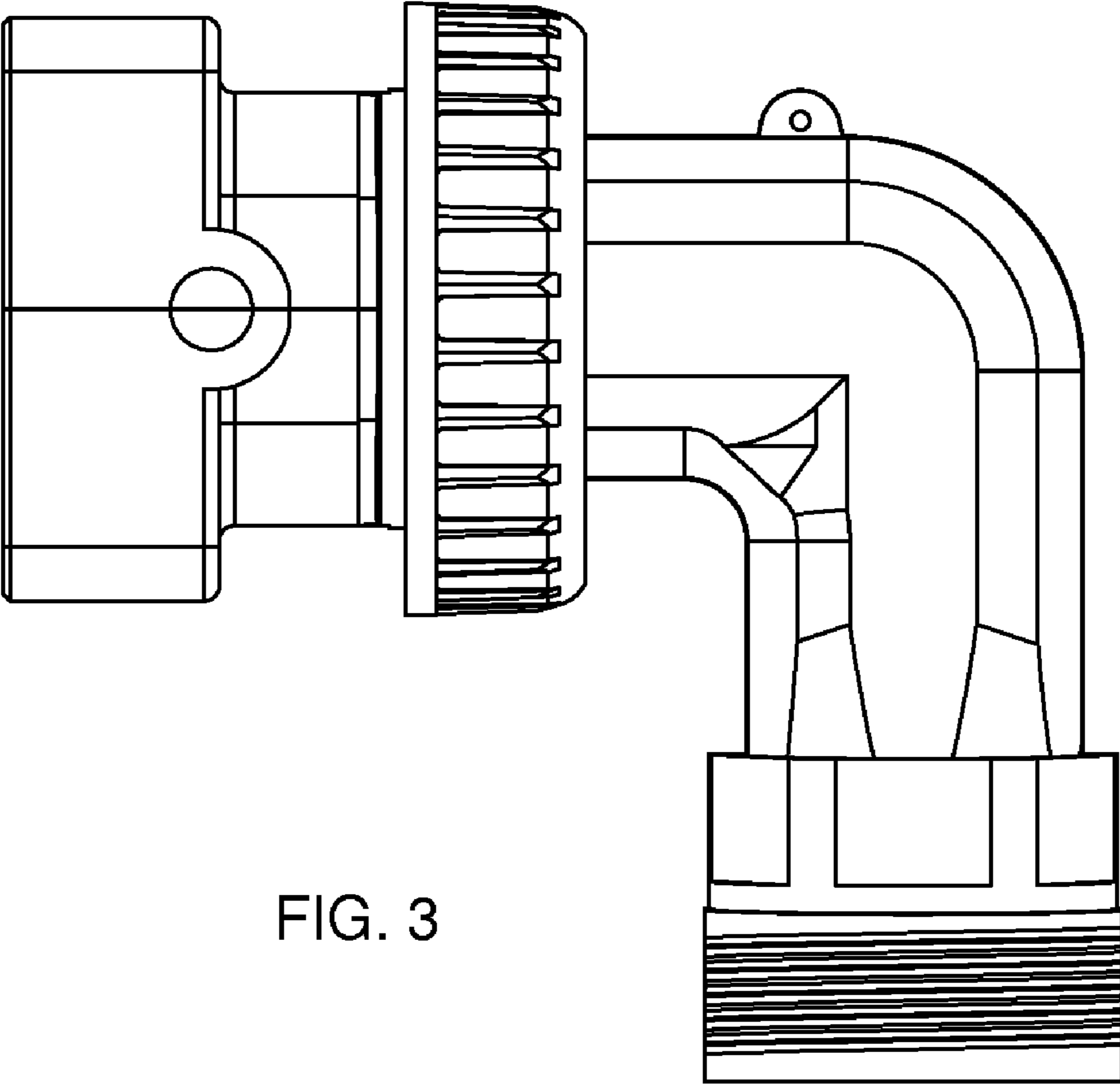


FIG. 3

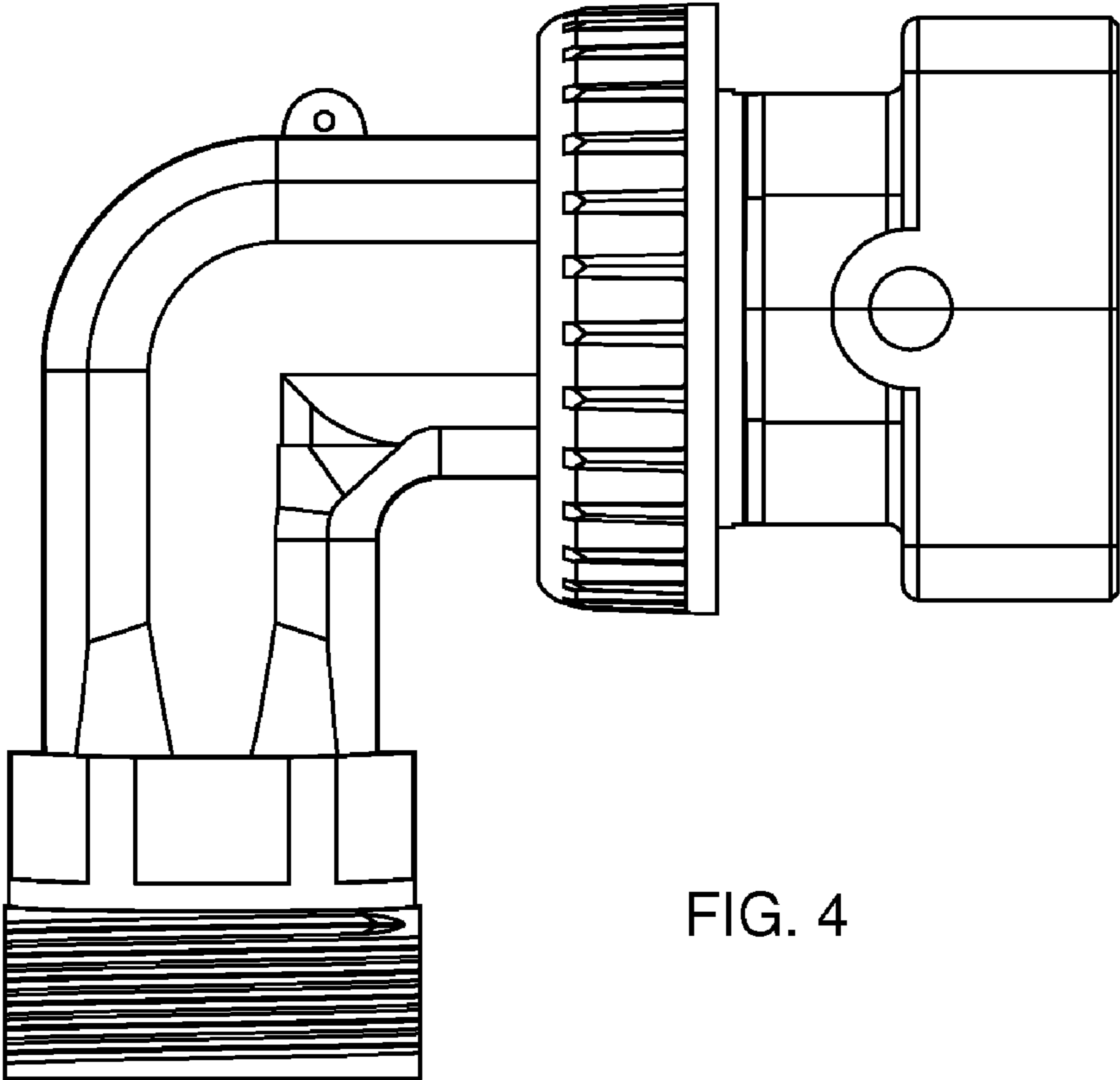


FIG. 4

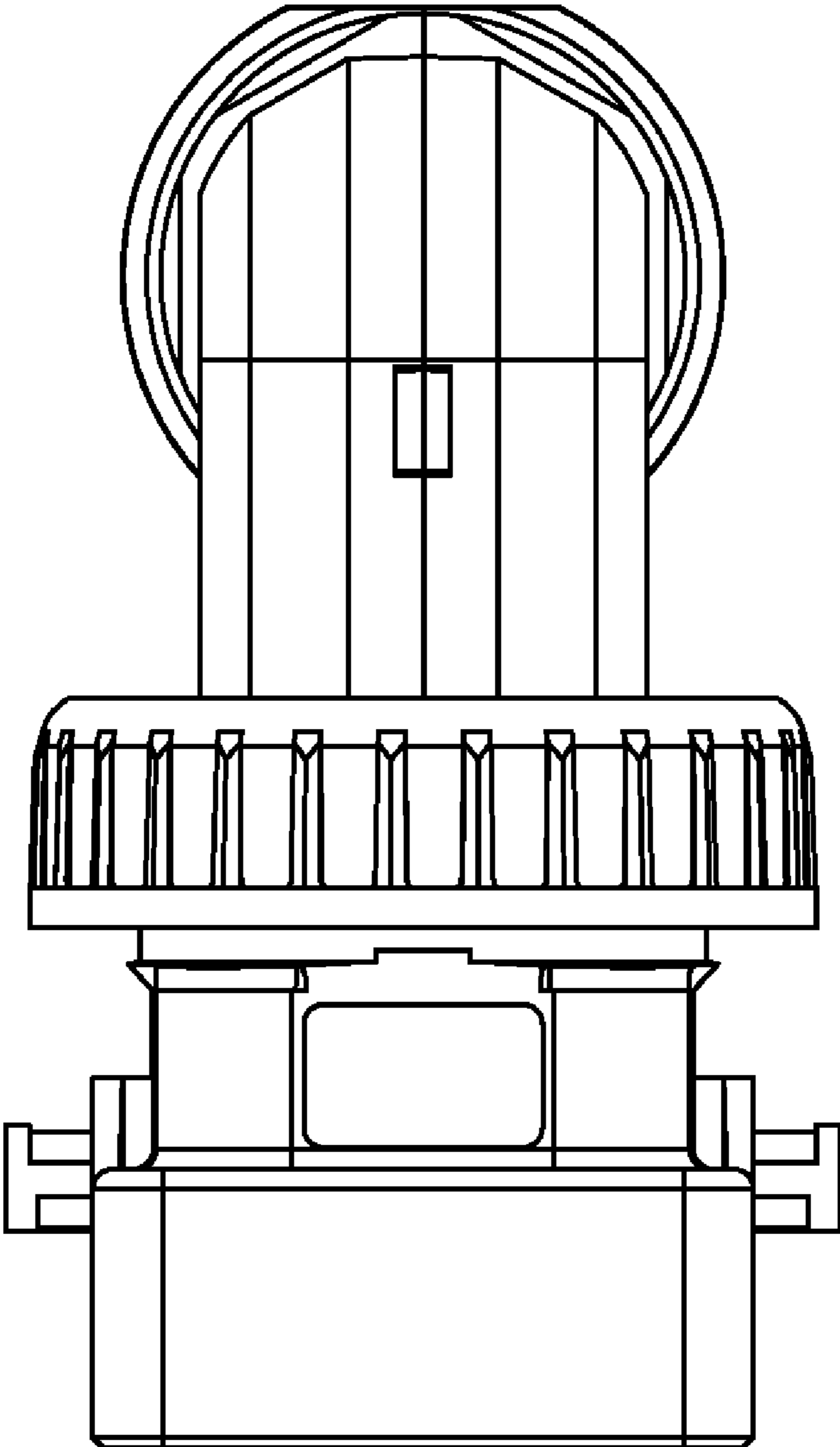


FIG. 5

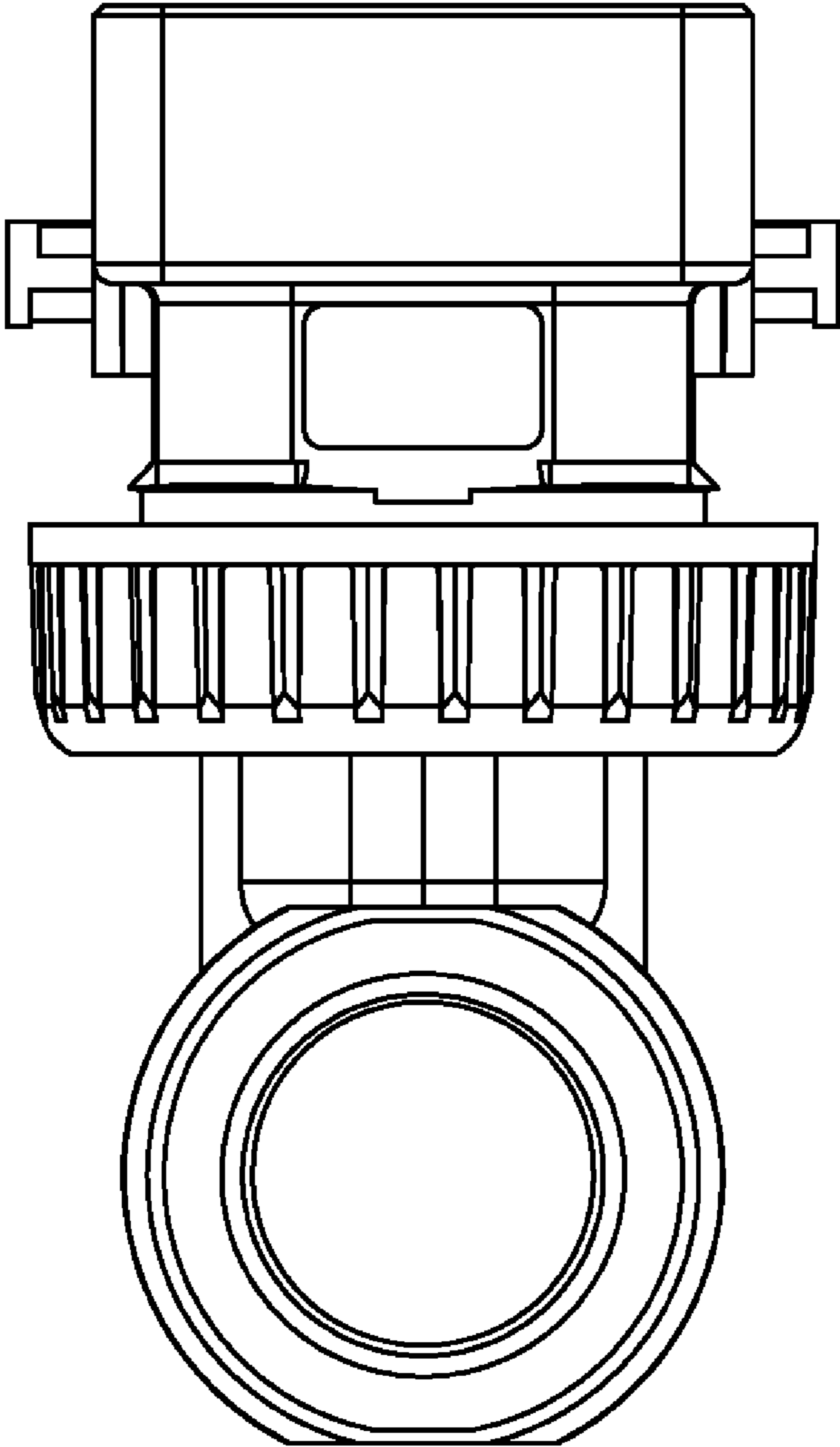


FIG. 6

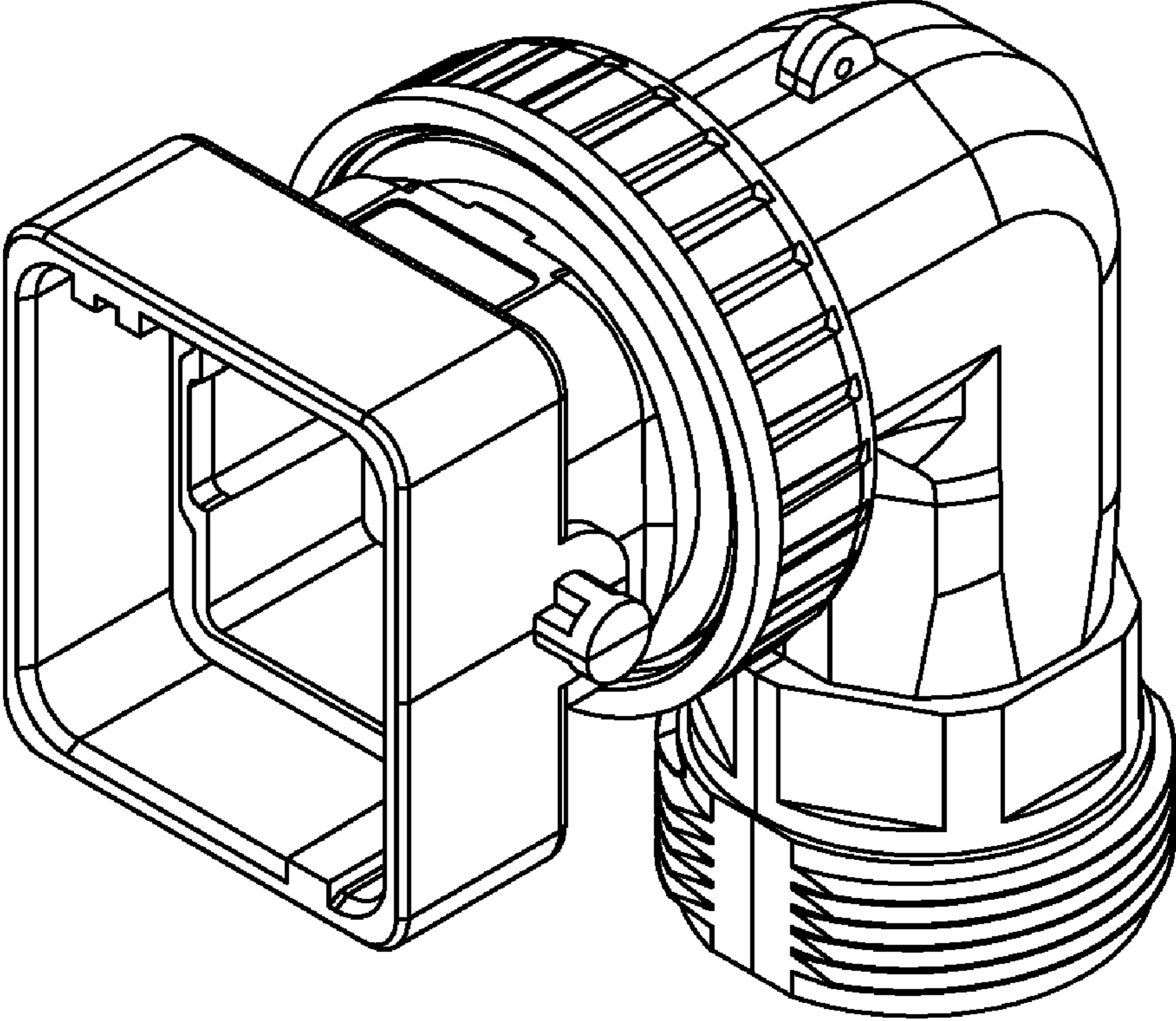


FIG. 7

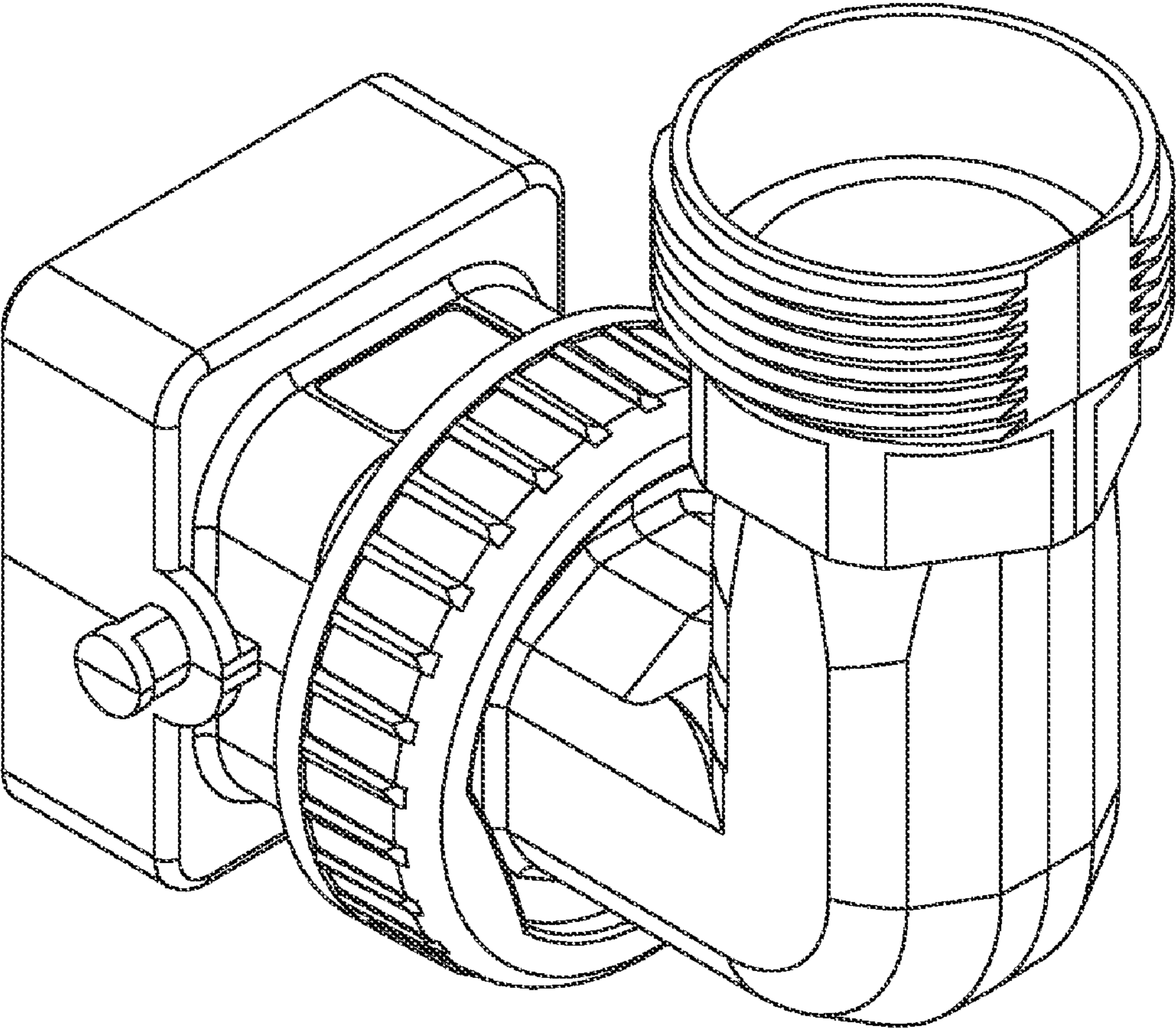


FIG. 8