



US00D659097S

(12) **United States Design Patent**  
**Xie et al.**

(10) **Patent No.:** **US D659,097 S**

(45) **Date of Patent:** **\*\* May 8, 2012**

(54) **RECEPTACLE CONNECTOR**

(75) Inventors: **Bao-Geng Xie**, New Taipei (TW);  
**Wei-Hong Liao**, New Taipei (TW);  
**Ming-Chiang Chen**, New Taipei (TW)

(73) Assignee: **Cheng Uei Precision Industry Co., Ltd.**, New Taipei (TW)

(\*\*) Term: **14 Years**

(21) Appl. No.: **29/399,752**

(22) Filed: **Aug. 18, 2011**

(51) **LOC (9) Cl.** ..... **13-03**

(52) **U.S. Cl.** ..... **D13/146; D13/133**

(58) **Field of Classification Search** ..... D13/120,  
D13/133, 146, 147, 154, 184, 199; 439/180,  
439/246, 278, 357, 358, 374, 527, 529, 533,  
439/607.01, 607.22, 607.23, 607.31, 607.32,  
439/607.33, 607.34, 607.53, 680, 892, 894  
See application file for complete search history.

(56) **References Cited**

U.S. PATENT DOCUMENTS

D196,111 S \* 8/1963 Krehbiel ..... D13/147  
D479,199 S \* 9/2003 Jones et al. .... D13/147  
D484,461 S \* 12/2003 Piovesan ..... D13/146

D529,444 S \* 10/2006 Kudo ..... D13/147  
D589,449 S \* 3/2009 Chiang et al. .... D13/147  
D589,893 S \* 4/2009 Gao et al. .... D13/147  
D627,737 S \* 11/2010 Qu et al. .... D13/147  
7,878,848 B1 \* 2/2011 Yang et al. .... 439/567  
7,955,095 B1 \* 6/2011 Yang ..... 439/83  
8,092,236 B2 \* 1/2012 Yang et al. .... 439/83

\* cited by examiner

*Primary Examiner* — Daniel Bui

(74) *Attorney, Agent, or Firm* — WPAT, P.C.; Anthony King

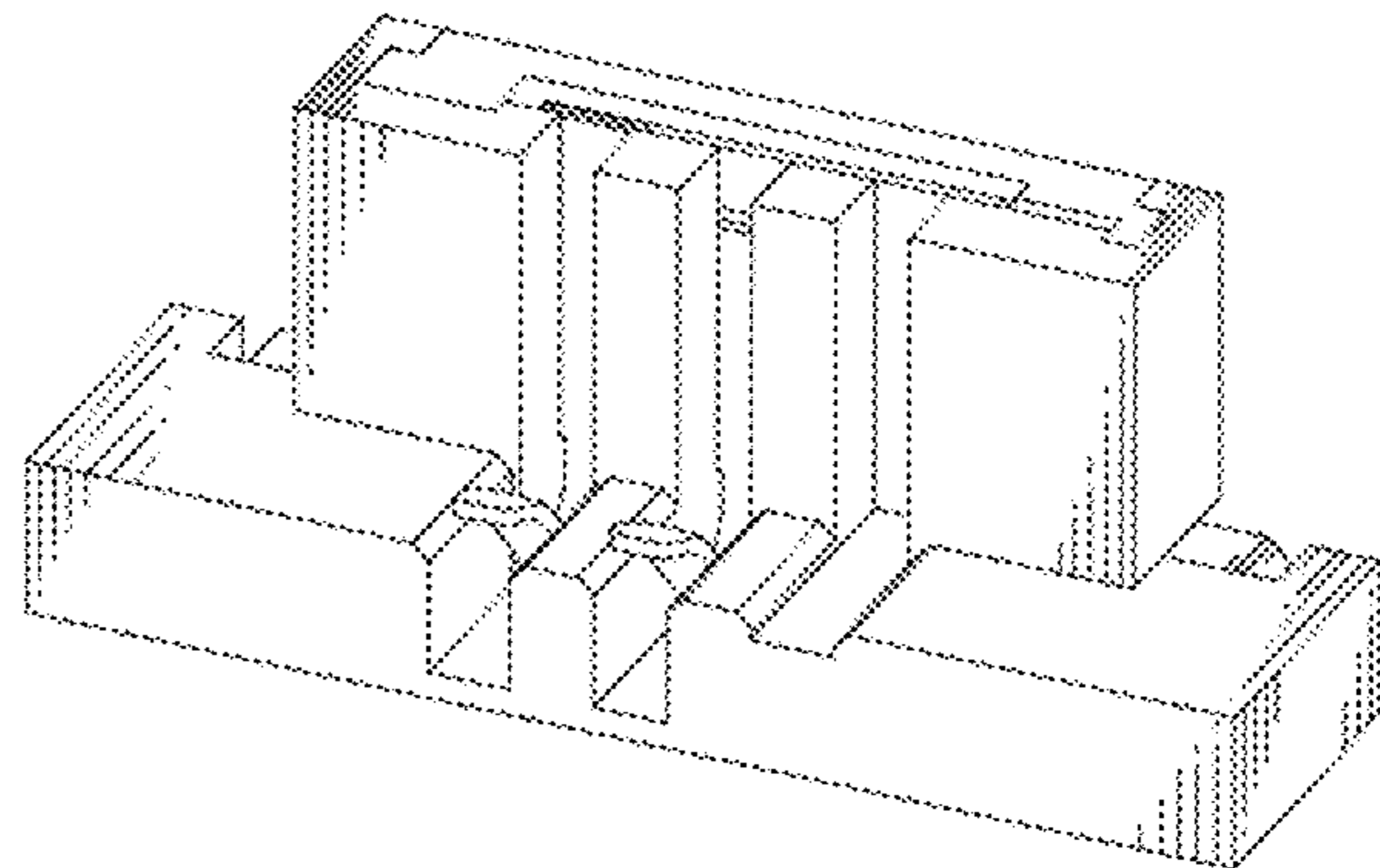
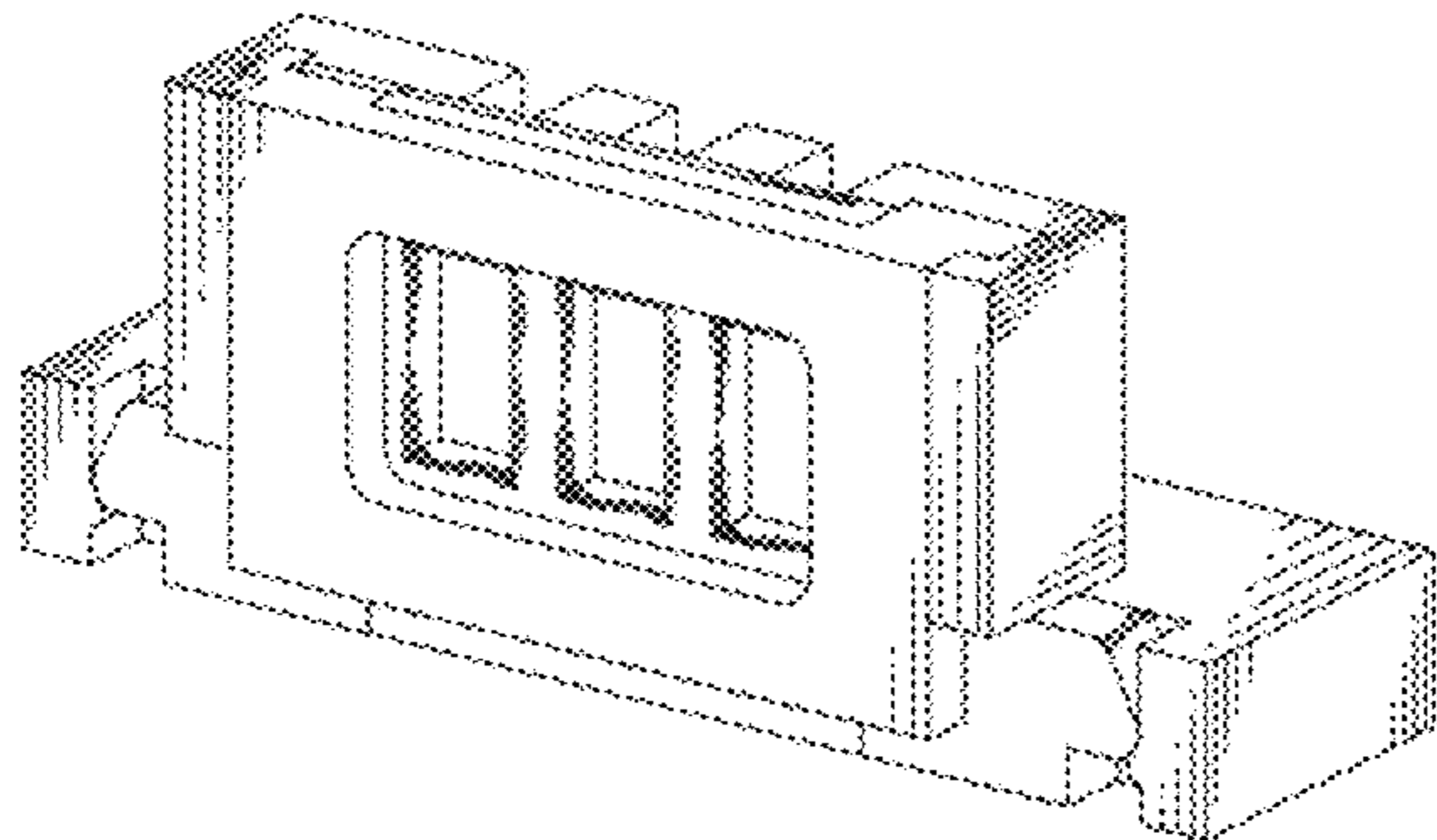
(57) **CLAIM**

The ornamental design for a receptacle connector, as shown and described.

**DESCRIPTION**

FIG. 1 is a perspective view of a receptacle connector showing our new design;  
FIG. 2 is a front elevational view thereof;  
FIG. 3 is a rear elevational view thereof;  
FIG. 4 is a left side elevational view thereof;  
FIG. 5 is a right side elevational view thereof;  
FIG. 6 is a top plan view thereof;  
FIG. 7 is a bottom plan view thereof; and,  
FIG. 8 is another perspective view of the receptacle connector showing our new design.

**1 Claim, 8 Drawing Sheets**



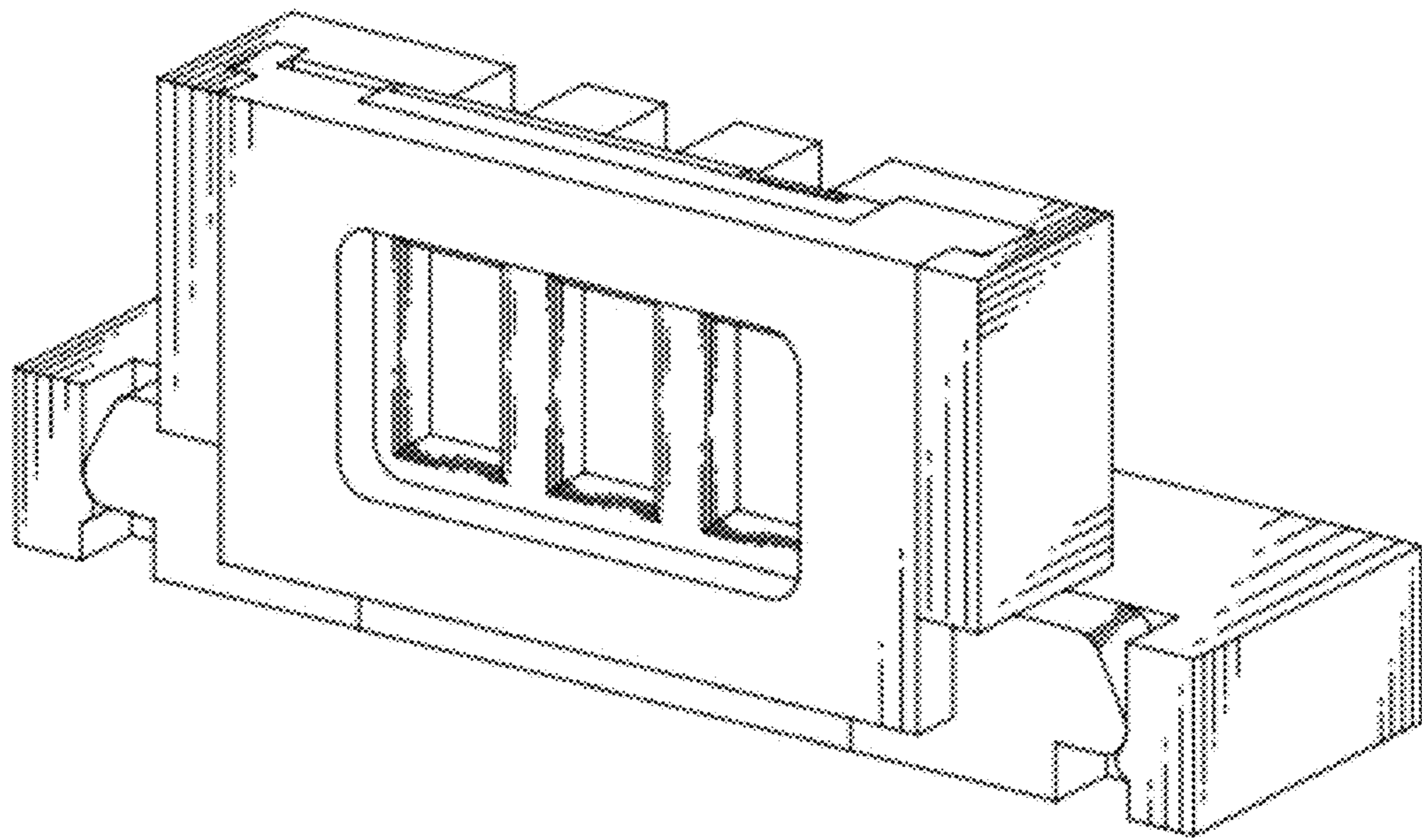


FIG. 1

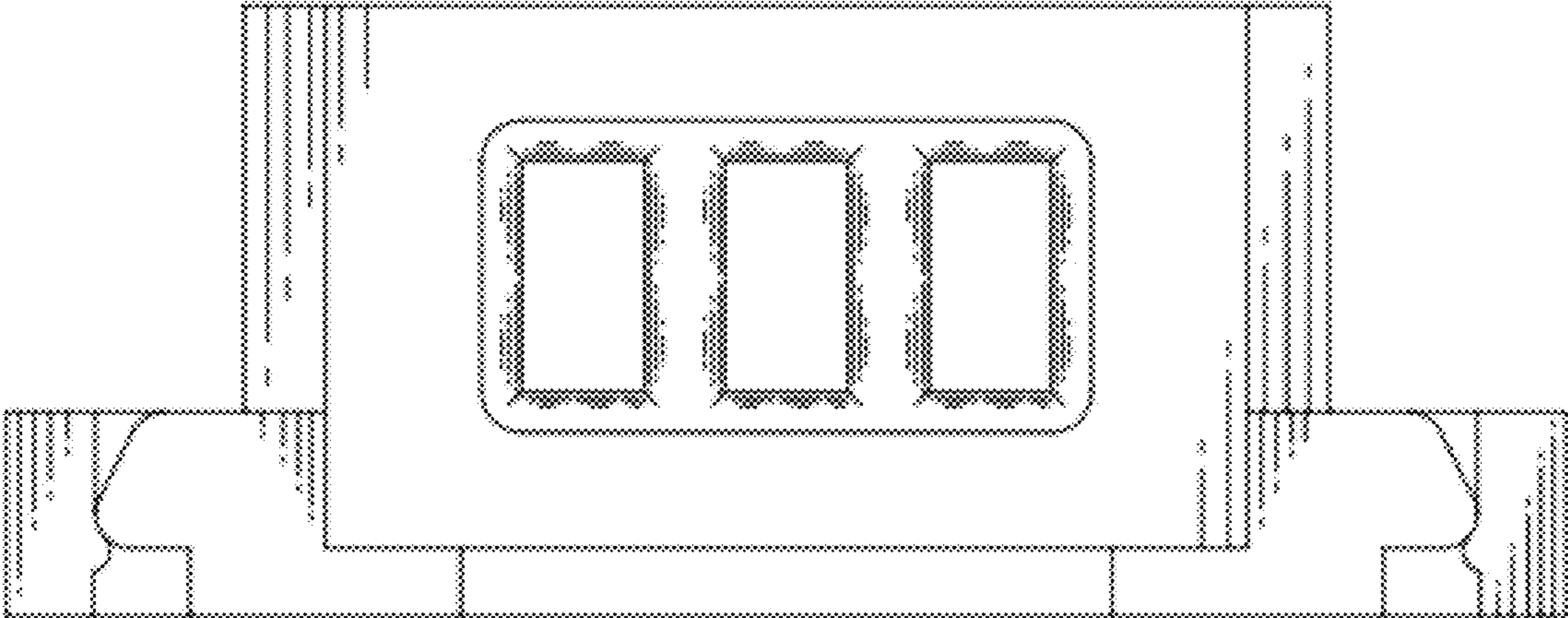


FIG. 2

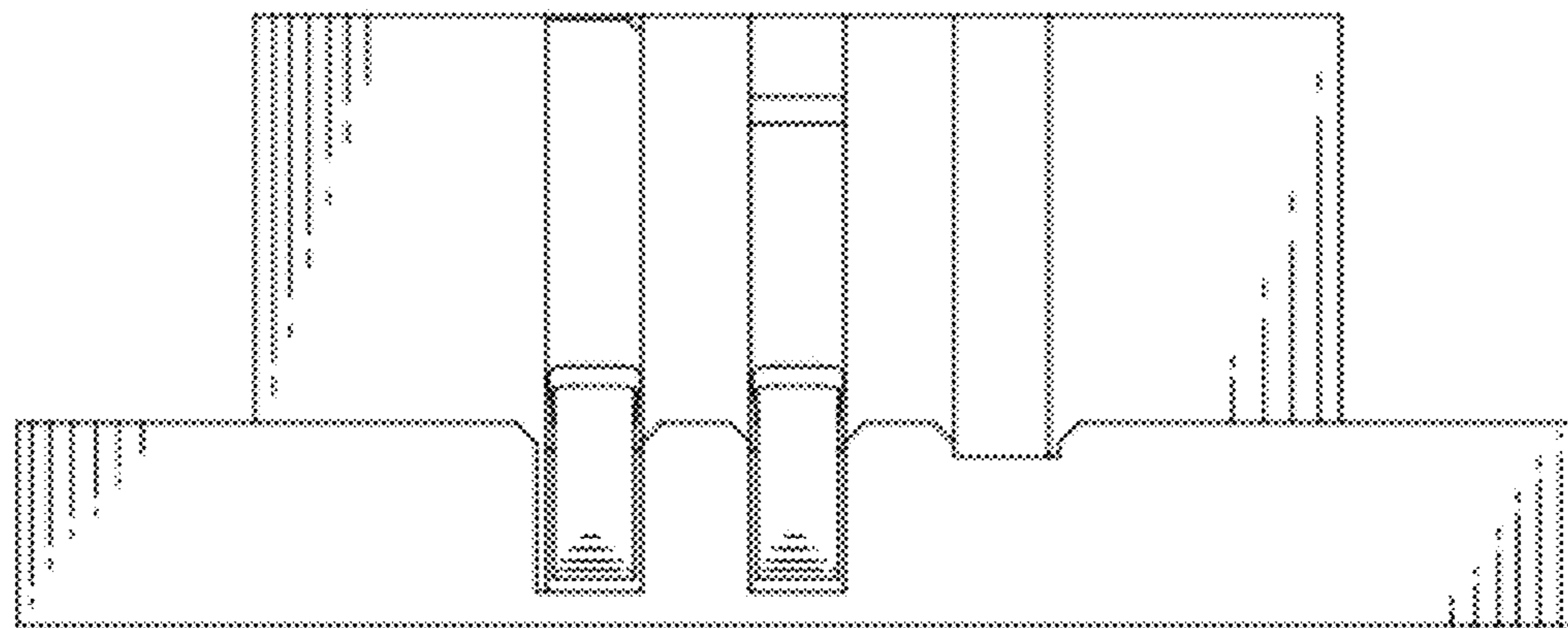


FIG. 3

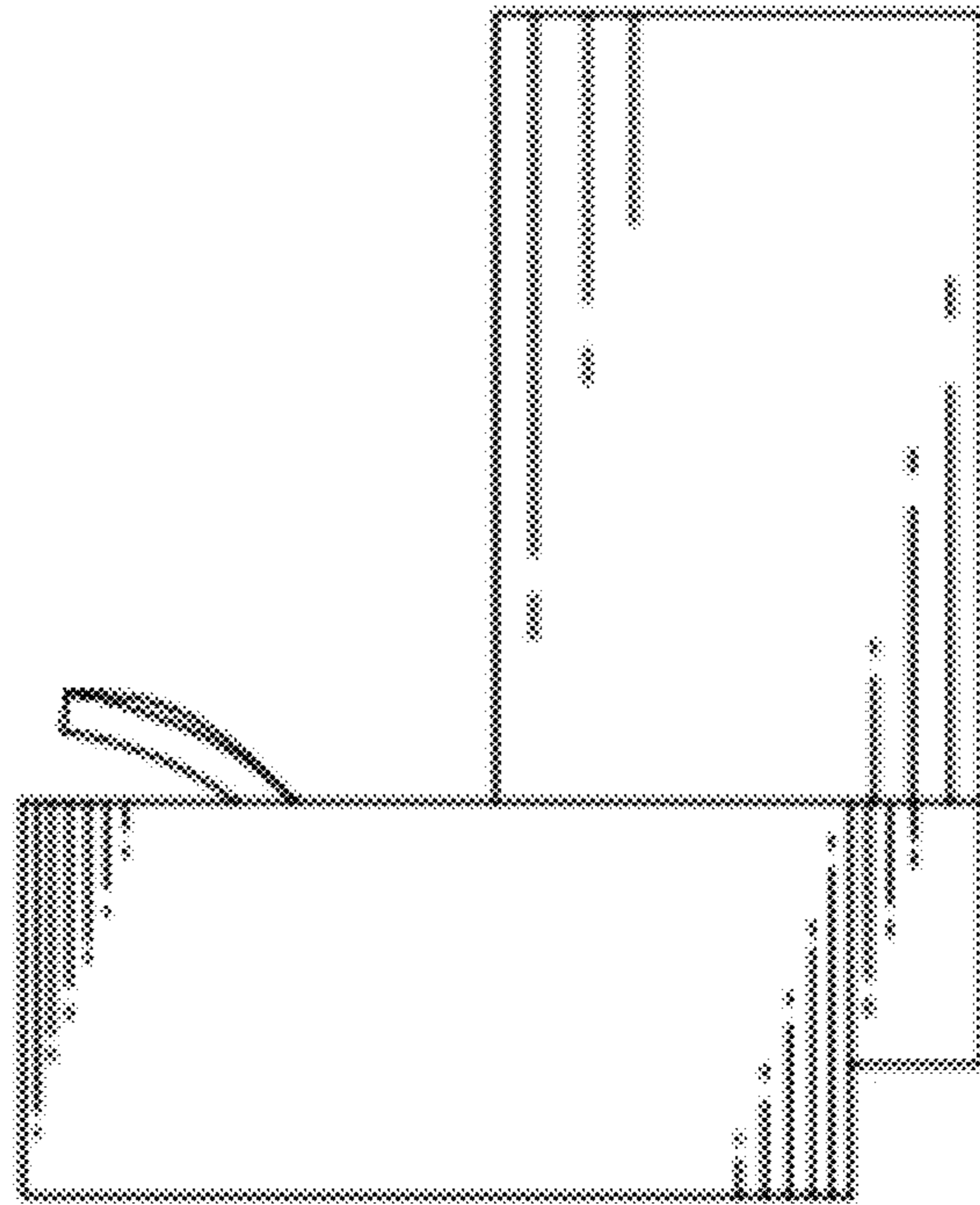


FIG. 4



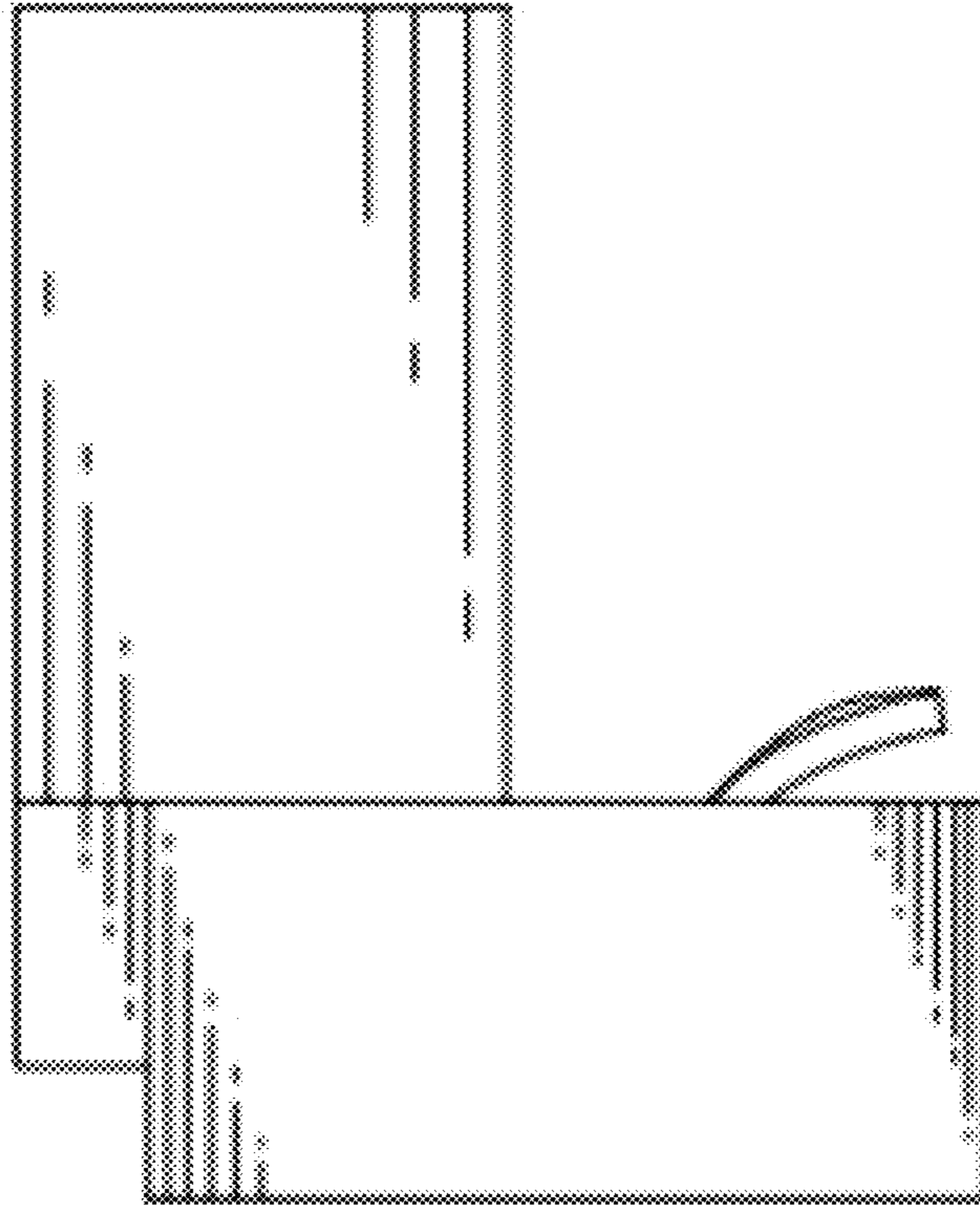


FIG. 5

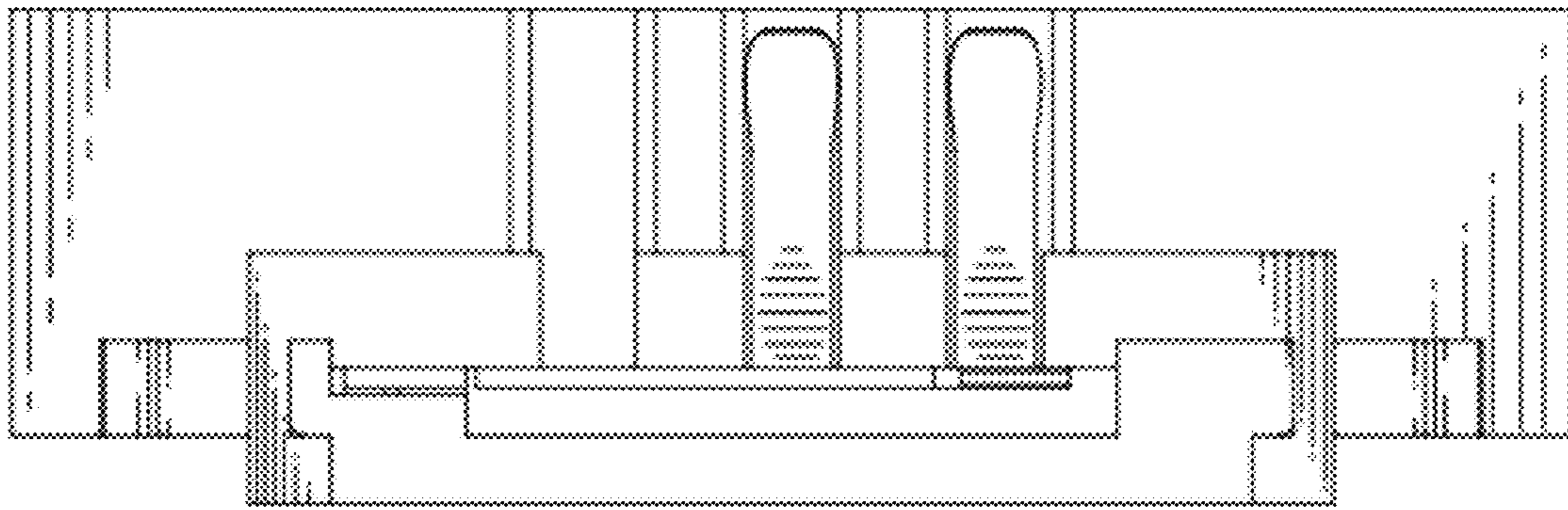


FIG. 6

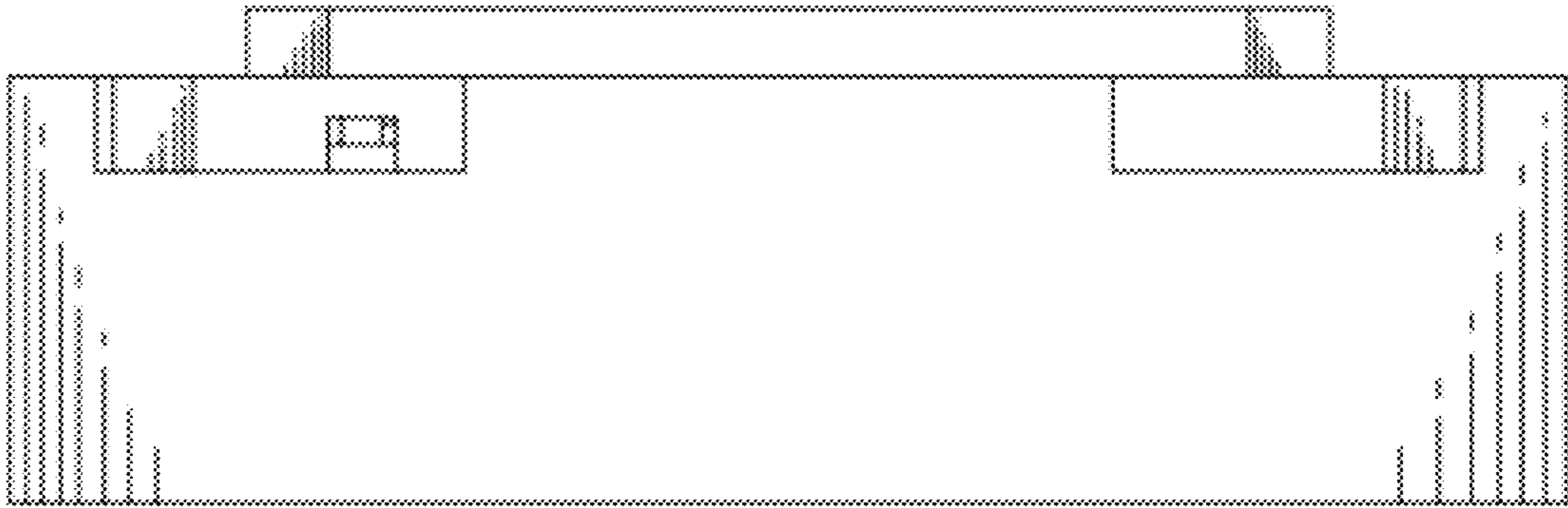


FIG. 7



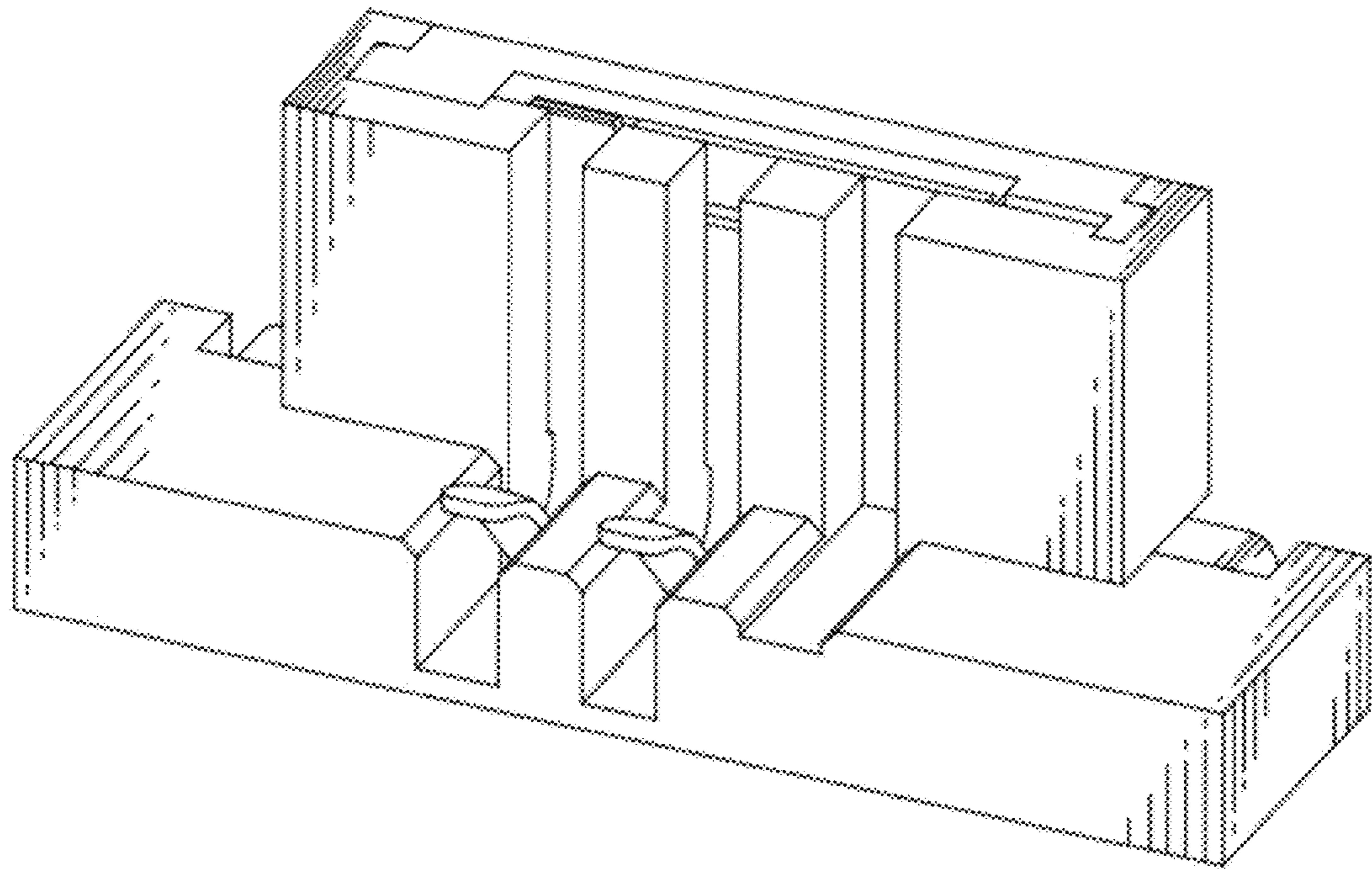


FIG. 8