



US00D659094S

(12) **United States Design Patent**
Brand et al.

(10) **Patent No.:** **US D659,094 S**

(45) **Date of Patent:** **** May 8, 2012**

(54) **PORTABLE BATTERY CHARGER**

(75) Inventors: **Matthew Brand**, Brooklyn, NY (US);
William Westwood, Escondido, CA
(US); **Nguyen To**, Corona, CA (US)

(73) Assignee: **Mophie, Inc.**, Santa Ana, CA (US)

(**) Term: **14 Years**

(21) Appl. No.: **29/399,914**

(22) Filed: **Aug. 19, 2011**

(51) **LOC (9) Cl.** **13-02**

(52) **U.S. Cl.** **D13/108**

(58) **Field of Classification Search** D13/107-110,
D13/118-119, 133, 154, 184, 199; D14/251,
D14/253, 432, 434, 480.1-480.7, 411, 433,
D14/435.1, 436, 484.1, 137, 155, 203.1-203.8,
D14/240; 320/107-115; 710/300, 301; 439/131,
439/135-147

See application file for complete search history.

(56) **References Cited**

U.S. PATENT DOCUMENTS

D487,458 S *	3/2004	Gentil et al.	D14/480.5
D572,250 S *	7/2008	Yang	D14/435.1
D588,147 S *	3/2009	Finlayson et al.	D14/480.5
D610,538 S *	2/2010	Wu et al.	D13/103
D618,237 S *	6/2010	Wang	D14/356
D623,399 S *	9/2010	McSweyn	D3/208
D624,747 S *	10/2010	McSweyn	D3/208
D628,153 S *	11/2010	Fujii et al.	D13/108
D628,535 S *	12/2010	Cheng	D13/108
D645,049 S *	9/2011	Faranda et al.	D14/480.5

D645,050 S *	9/2011	Faranda et al.	D14/480.5
D649,932 S *	12/2011	Symons	D13/108
2010/0117597 A1 *	5/2010	Wang	320/111

* cited by examiner

Primary Examiner — Rosemary K Tarcza

(74) *Attorney, Agent, or Firm* — Duane Morris LLP

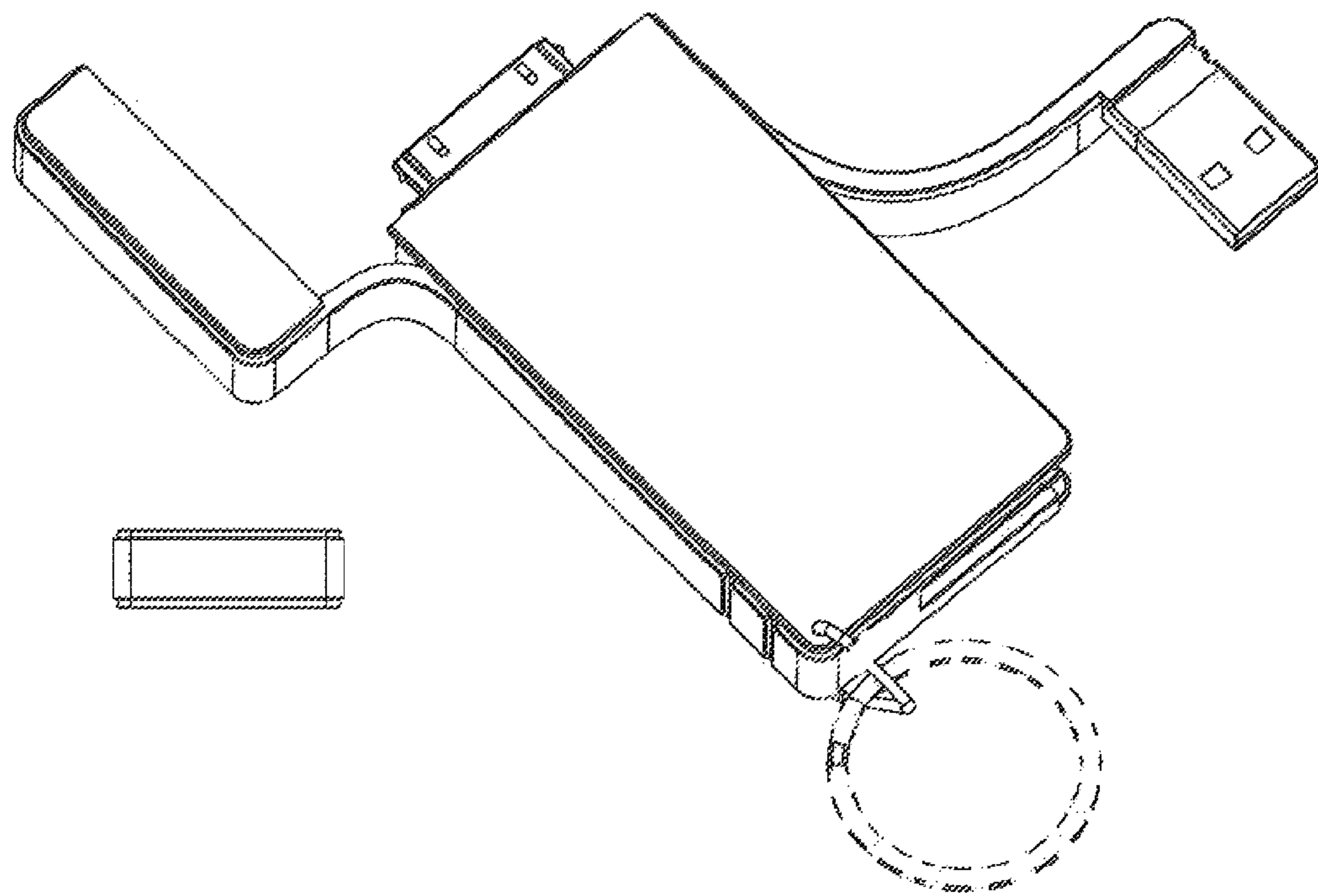
(57) **CLAIM**

The ornamental design for a portable battery charger, as shown and described.

DESCRIPTION

FIG. 1 is a top view of the portable battery charger in closed position;
 FIG. 2 is a left-hand-side view of the portable battery charger in closed position;
 FIG. 3 is a front view of the portable battery charger in closed position;
 FIG. 4 is a right-hand-side view of the portable battery charger in closed position;
 FIG. 5 is a rear view of the portable battery charger in closed position;
 FIG. 6 is a bottom view of the portable battery charger in closed position;
 FIG. 7 is a perspective view of the portable battery charger in open position while attached to a key ring; and,
 FIG. 8 is a reverse perspective view of the portable battery charger in open position while attached to a key ring.
 The broken lines showing the key ring are for the purpose of illustrating environmental structure, and forms no part of the claimed design.

1 Claim, 2 Drawing Sheets



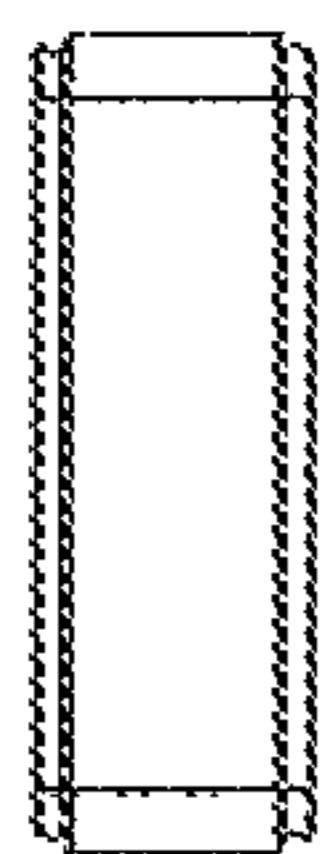


FIGURE 1

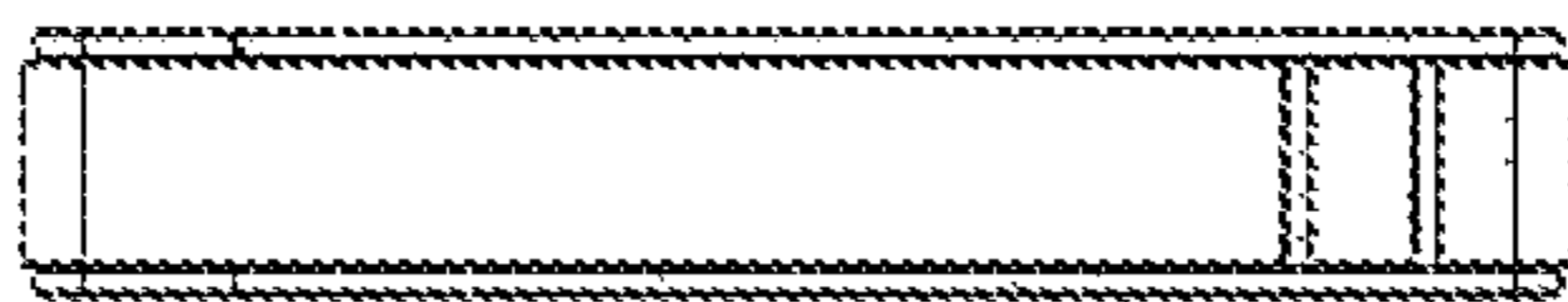


FIGURE 2



FIGURE 3



FIGURE 4



FIGURE 5

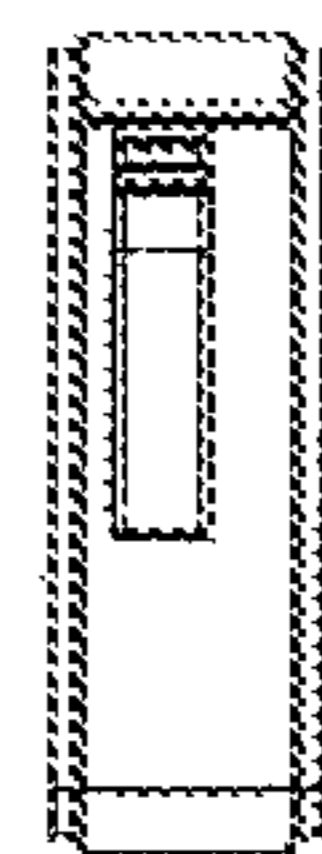


FIGURE 6

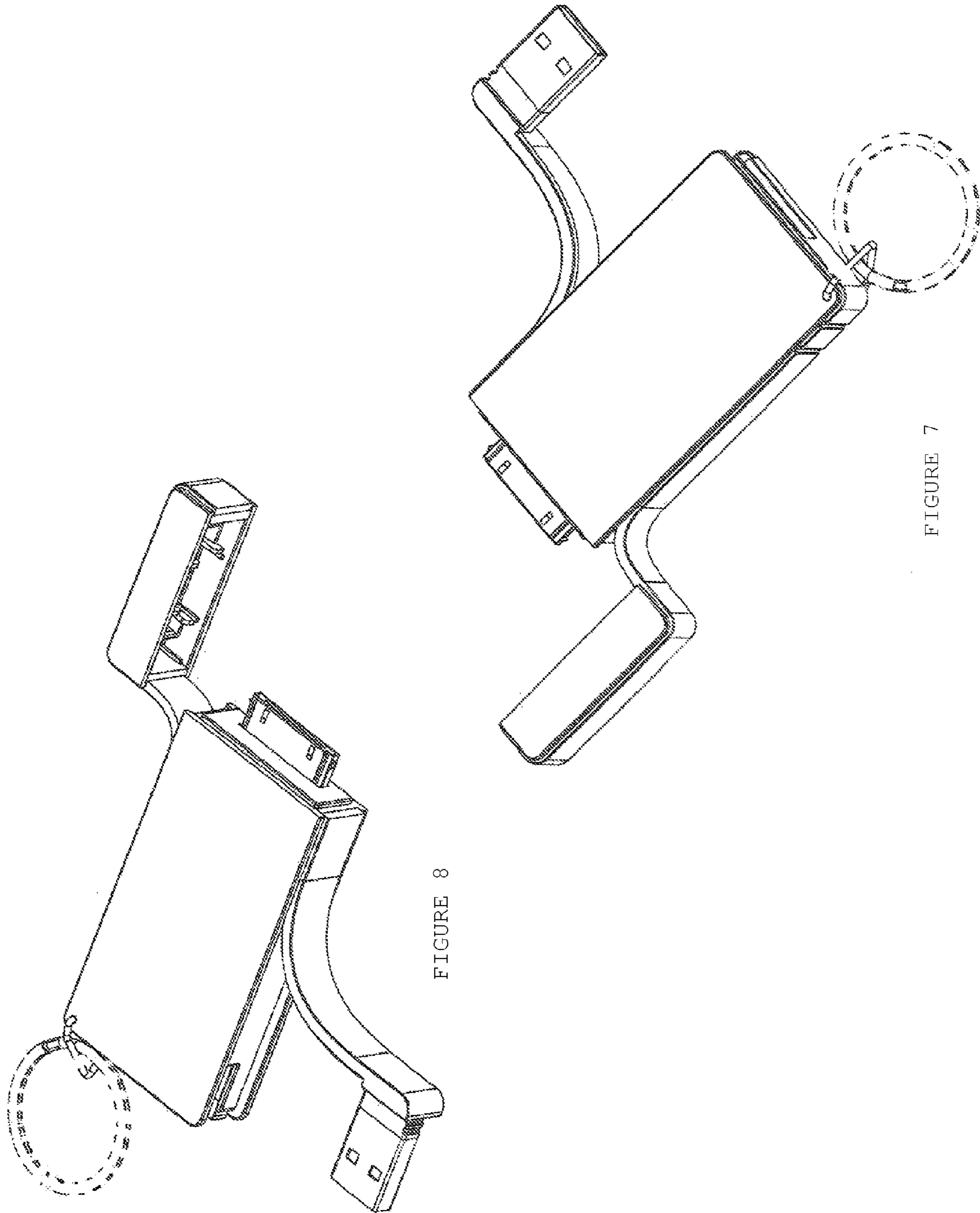


FIGURE 8

FIGURE 7