



US00D659093S

(12) **United States Design Patent**
Schmid et al.

(10) **Patent No.:** **US D659,093 S**

(45) **Date of Patent:** **** May 8, 2012**

(54) **CHARGER**

(75) Inventors: **Eric Gregory Schmid**, Culver City, CA (US); **Eric William Olson**, Los Angeles, CA (US)

(73) Assignee: **The Gillette Company**, Boston, MA (US)

(**) Term: **14 Years**

(21) Appl. No.: **29/389,303**

(22) Filed: **Apr. 8, 2011**

(51) **LOC (9) Cl.** **13-02**

(52) **U.S. Cl.** **D13/108**

(58) **Field of Classification Search** D13/107-110, D13/118-119, 184, 199; D14/251, 253, D14/432, 434; 320/107-115

See application file for complete search history.

(56) **References Cited**

U.S. PATENT DOCUMENTS

D433,994 S *	11/2000	Jobs et al.	D13/110
D507,569 S *	7/2005	Tagliabue et al.	D14/356
D508,458 S *	8/2005	Solland et al.	D13/108
D512,718 S *	12/2005	Mori et al.	D14/434
D524,282 S *	7/2006	Beasley et al.	D14/149
D550,614 S *	9/2007	Fee et al.	D13/107
D602,858 S *	10/2009	Ellis et al.	D13/108
D608,277 S *	1/2010	Cano et al.	D13/108
D609,636 S *	2/2010	Jensen	D13/108

D627,718 S *	11/2010	Houghton	D13/108
D634,268 S *	3/2011	Reishus et al.	D13/108
D634,707 S *	3/2011	Hosler et al.	D13/108
D645,818 S *	9/2011	Guccione et al.	D13/108

* cited by examiner

Primary Examiner — Rosemary K. Tarcza

(74) *Attorney, Agent, or Firm* — Vladimir Vitenberg

(57) **CLAIM**

The ornamental design for a charger, as shown and described.

DESCRIPTION

FIG. 1 is a perspective view of a first embodiment of a charger, showing our new design;

FIG. 2 is a top view thereof;

FIG. 3 is a left-side view thereof, a right-side view being a mirror image thereof;

FIG. 4 is a bottom view thereof;

FIG. 5 is a back view thereof;

FIG. 6 is a front view thereof; and

FIG. 7 is a perspective view of a second embodiment of a charger, showing our new design;

FIG. 8 is a top view thereof;

FIG. 9 is a left-side view thereof, a right-side view being a mirror image thereof;

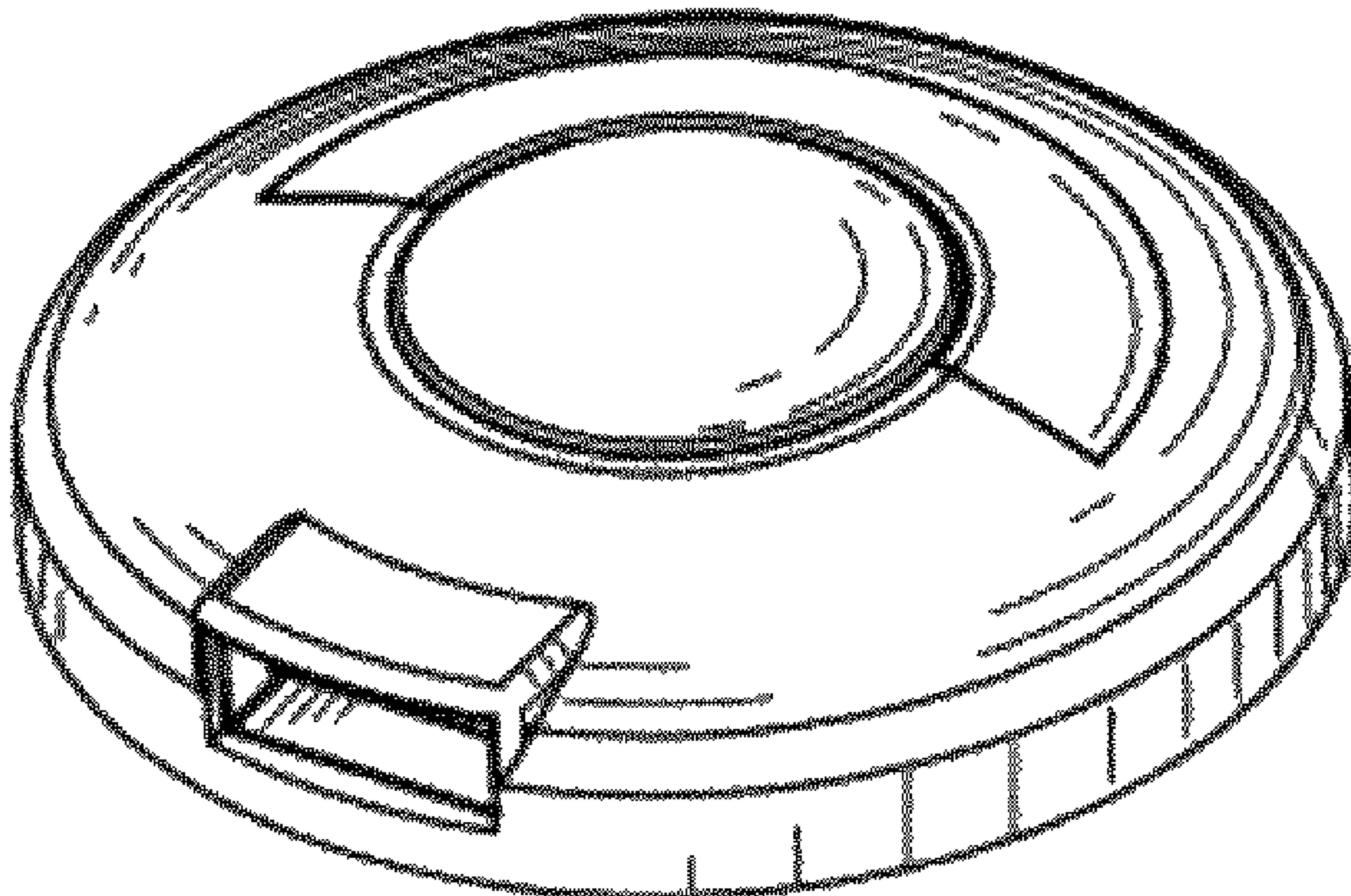
FIG. 10 is a bottom view thereof;

FIG. 11 is a back view thereof; and,

FIG. 12 is a front view thereof.

The broken lines shown in the drawings are included for the purpose of illustrating environmental structure and form no part of the claimed design.

1 Claim, 2 Drawing Sheets



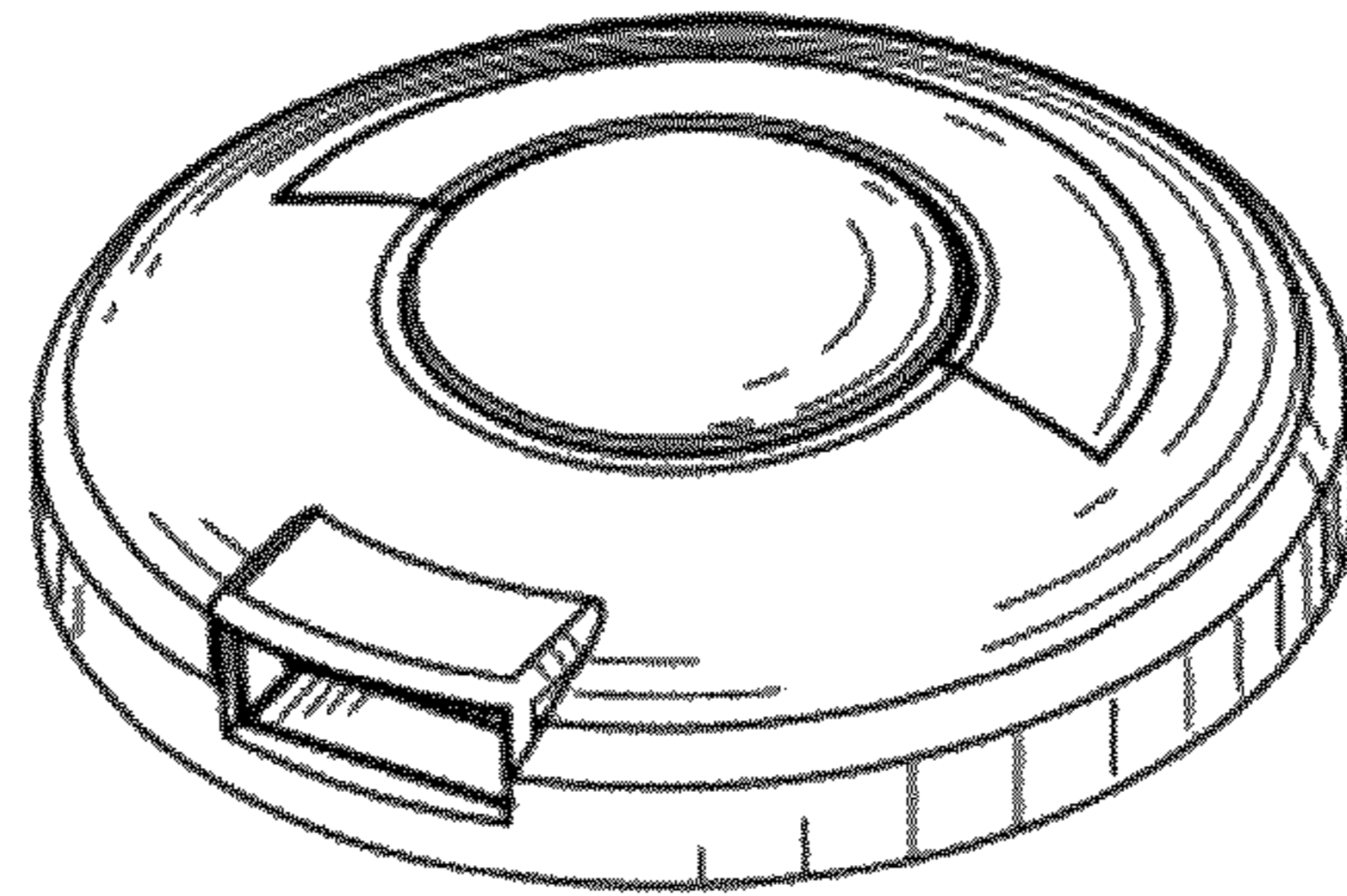


Fig. 1

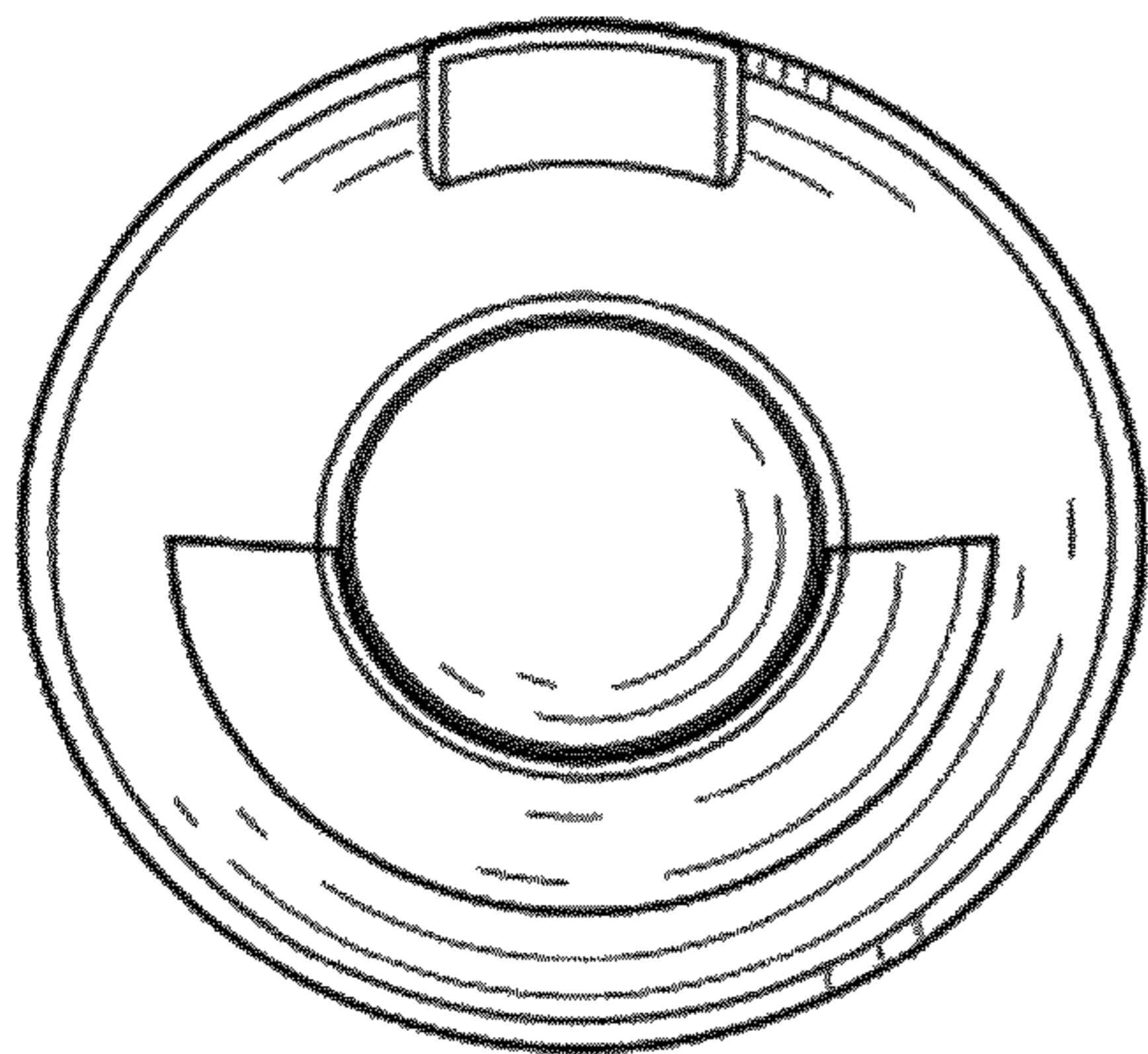


Fig. 2



Fig. 3

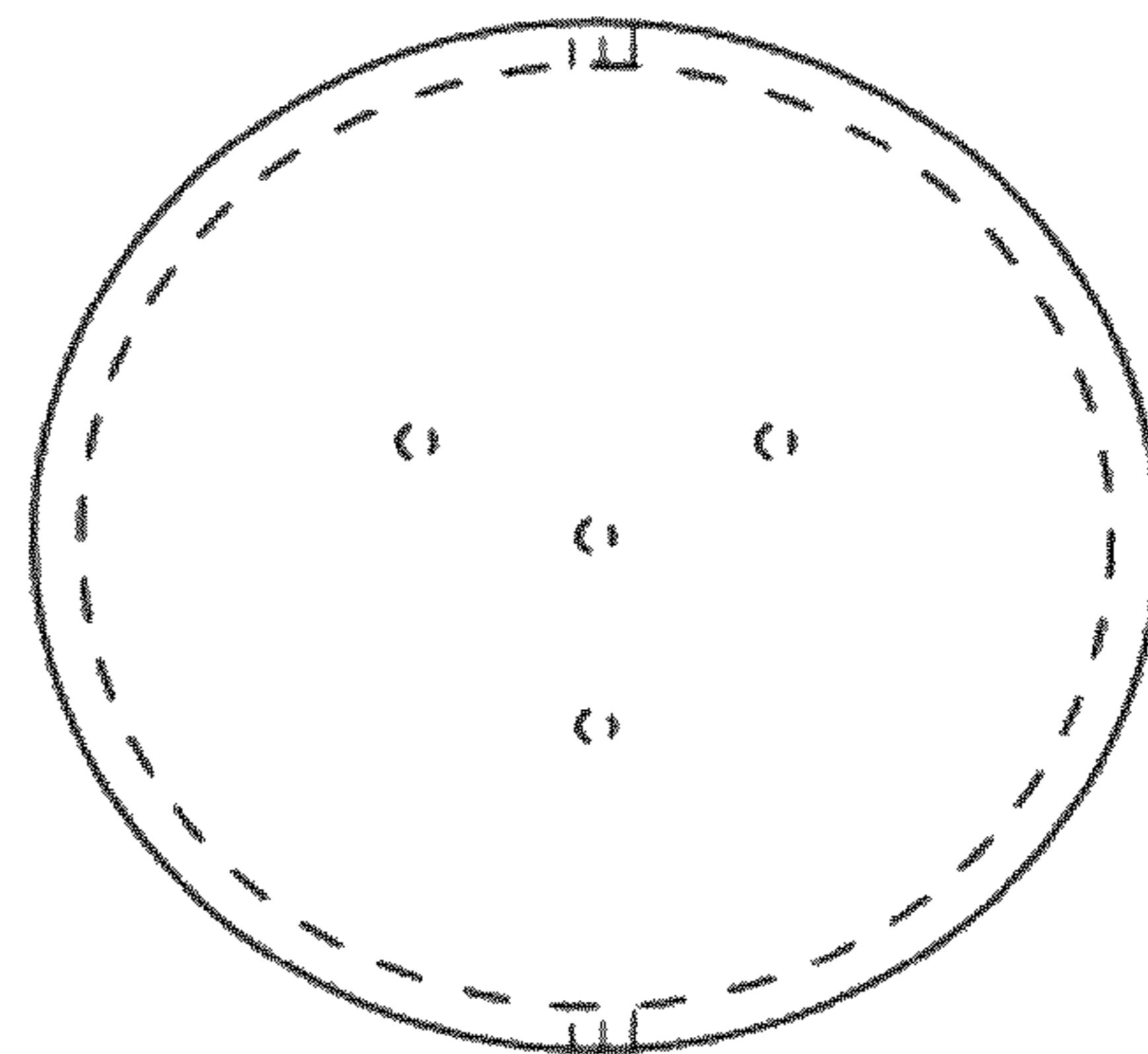


Fig. 4



Fig. 5

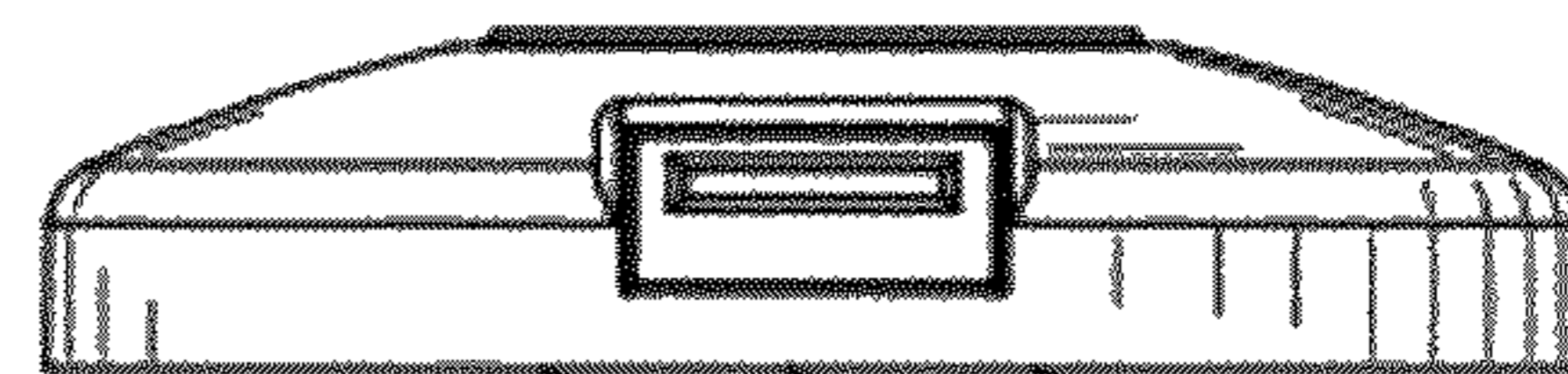


Fig. 6

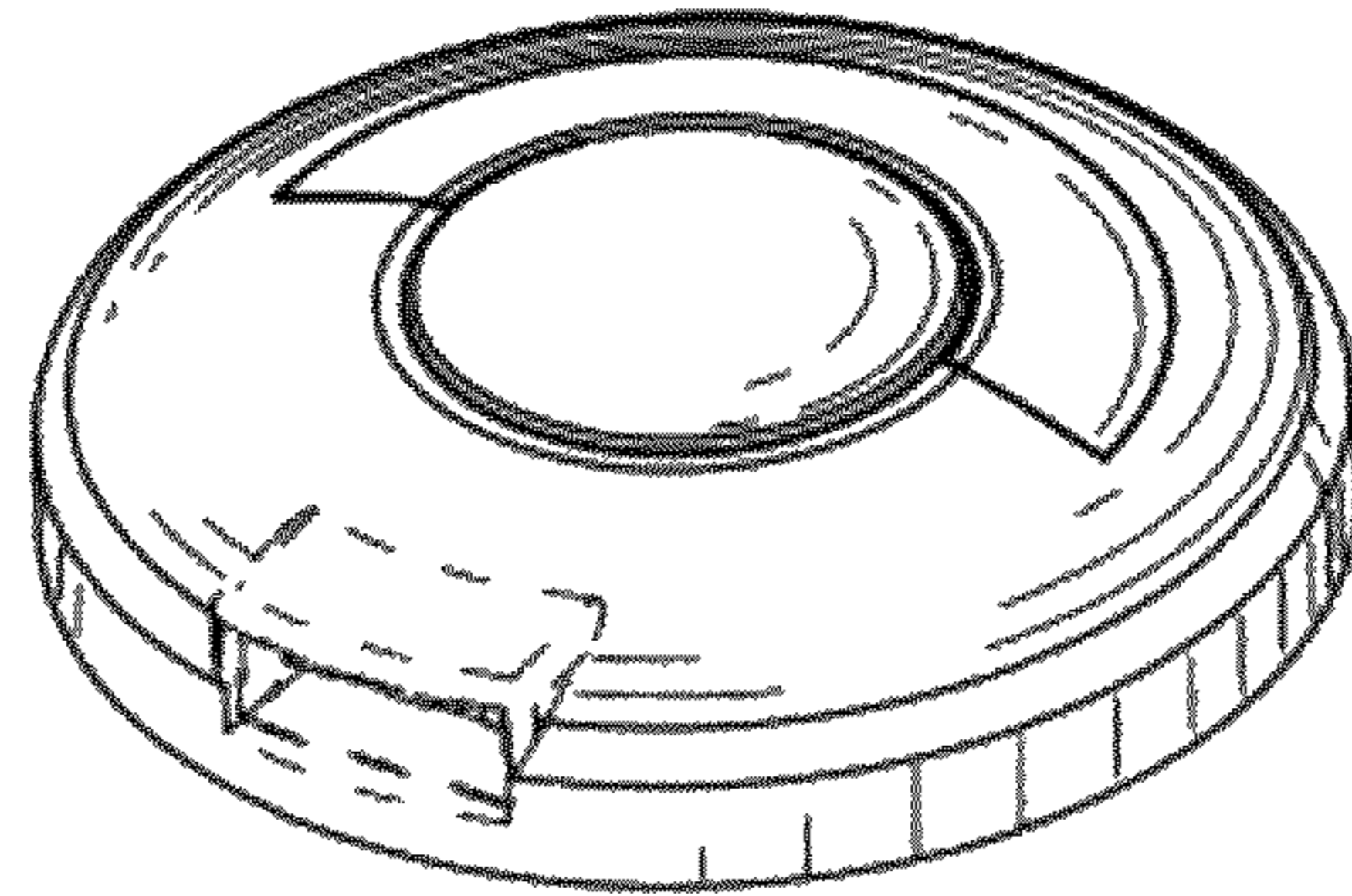


Fig. 7

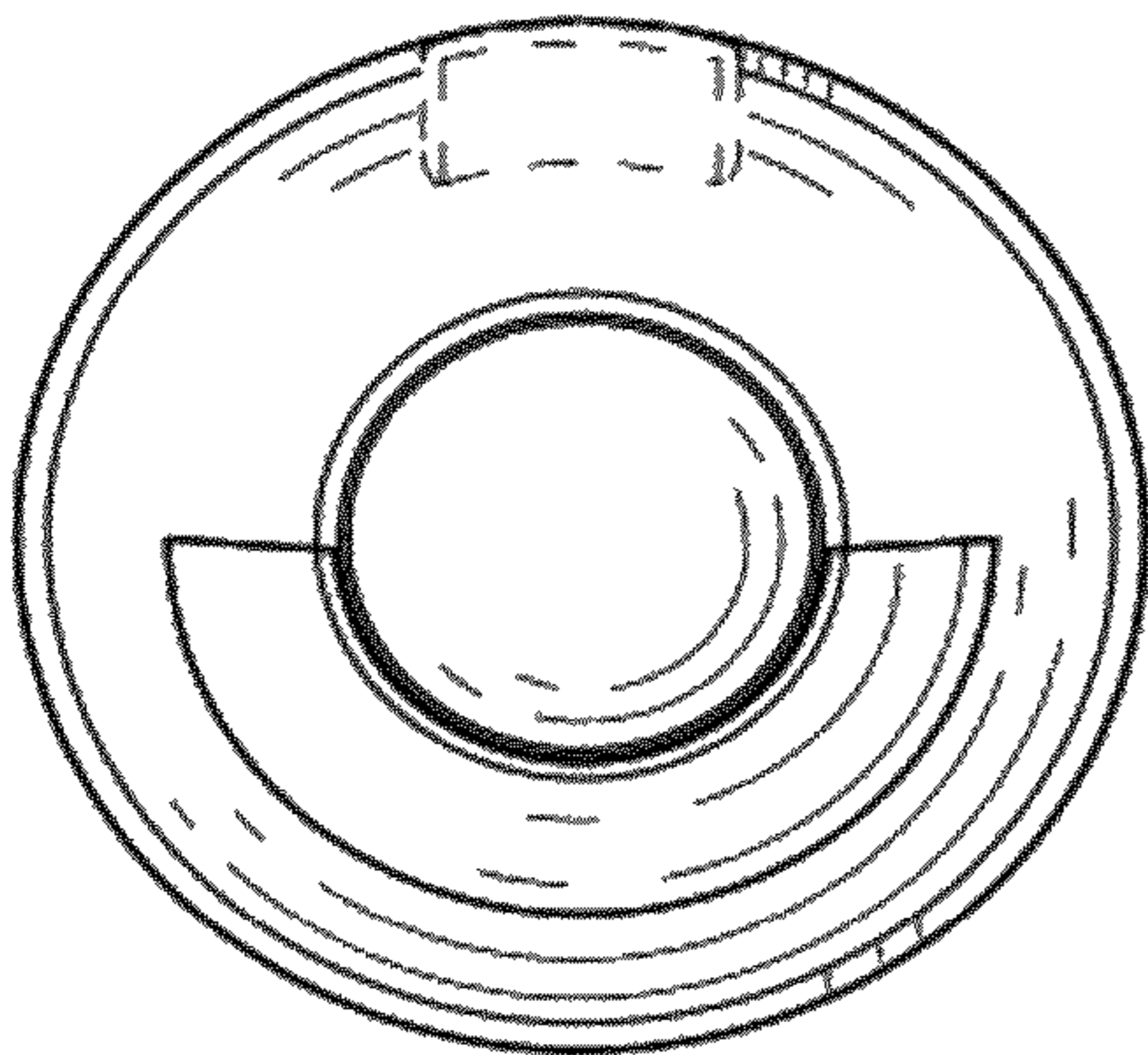


Fig. 8



Fig. 9

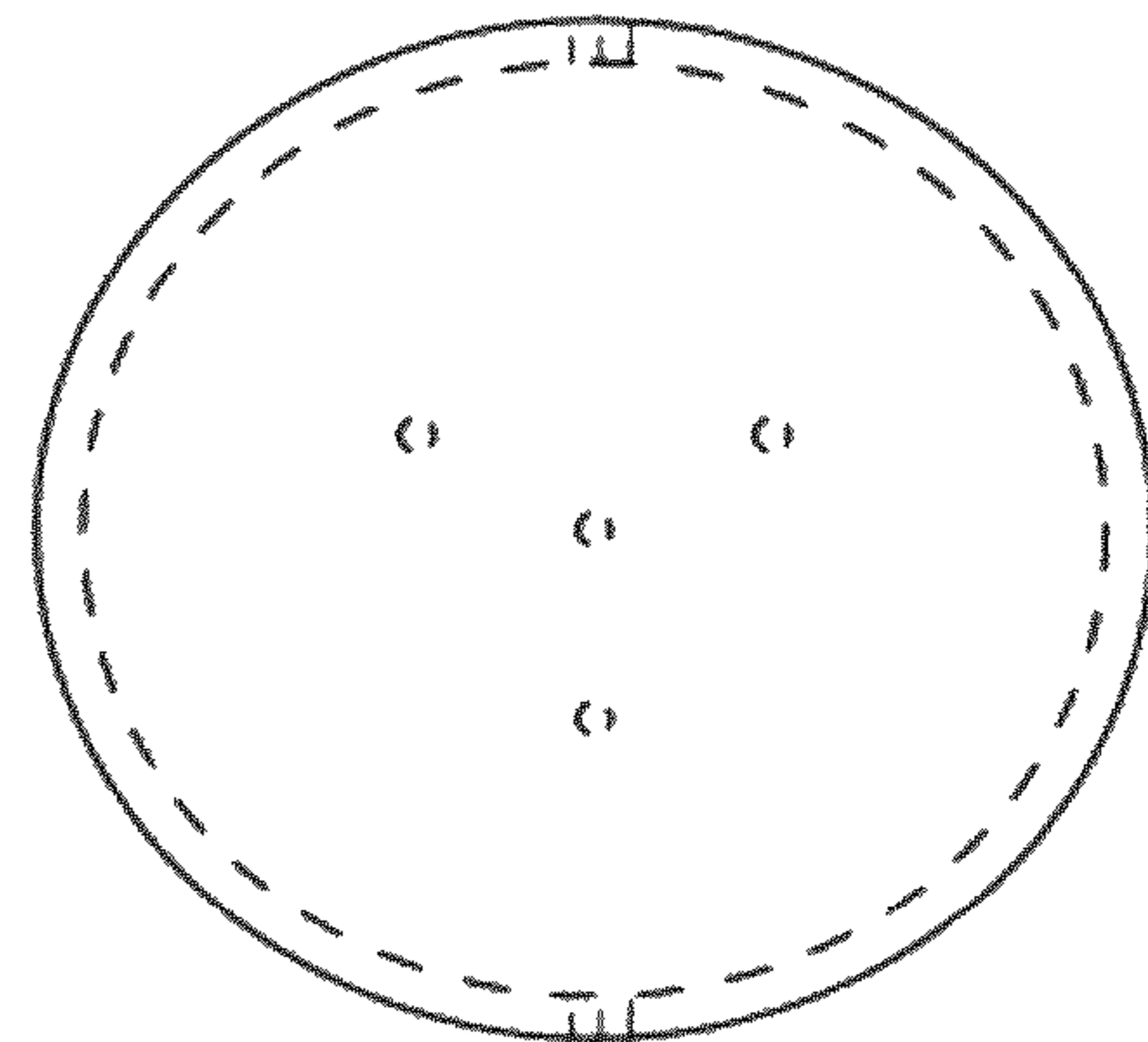


Fig. 10



Fig. 11



Fig. 12