



US00D659092S

(12) **United States Design Patent**
Kawano et al.

(10) **Patent No.:** **US D659,092 S**

(45) **Date of Patent:** **** May 8, 2012**

(54) **CHARGER FOR MOBILE TERMINAL DEVICE**

Primary Examiner — Rosemary K Tarcza

(74) *Attorney, Agent, or Firm* — Staas & Halsey LLP

(75) Inventors: **Koichi Kawano**, Kawasaki (JP);
Kensuke Iizuka, Tokyo (JP)

(73) Assignee: **Fujitsu Limited**, Kawasaki (JP)

(**) Term: **14 Years**

(21) Appl. No.: **29/371,775**

(22) Filed: **Sep. 16, 2011**

(30) **Foreign Application Priority Data**

Apr. 7, 2011 (JP) D2011-007981

(51) **LOC (9) Cl.** **13-02**

(52) **U.S. Cl.** **D13/108**

(58) **Field of Classification Search** D13/107–110,
D13/118–119, 184, 199; D14/251, 253,
D14/432, 434; 320/107–115

See application file for complete search history.

(56) **References Cited**

U.S. PATENT DOCUMENTS

D540,802 S *	4/2007	Hussaini et al.	D14/434
D552,081 S *	10/2007	Yano	D14/214
D580,856 S *	11/2008	Haspil et al.	D13/108
D623,132 S *	9/2010	Yano	D13/108
D631,009 S *	1/2011	Son et al.	D13/108
D648,339 S *	11/2011	O'Neil et al.	D14/434

* cited by examiner

(57) **CLAIM**

The ornamental design for a charger for mobile terminal device, as shown and described.

DESCRIPTION

FIG. 1 is a perspective view of front, top plan and right side of a charger for mobile terminal device showing our new design; FIG. 2 is a perspective view of rear, top plan and left side thereof;

FIG. 3 is a front view thereof;

FIG. 4 is a rear view thereof;

FIG. 5 is a top plan view thereof;

FIG. 6 is a bottom view thereof;

FIG. 7 is a left side view thereof;

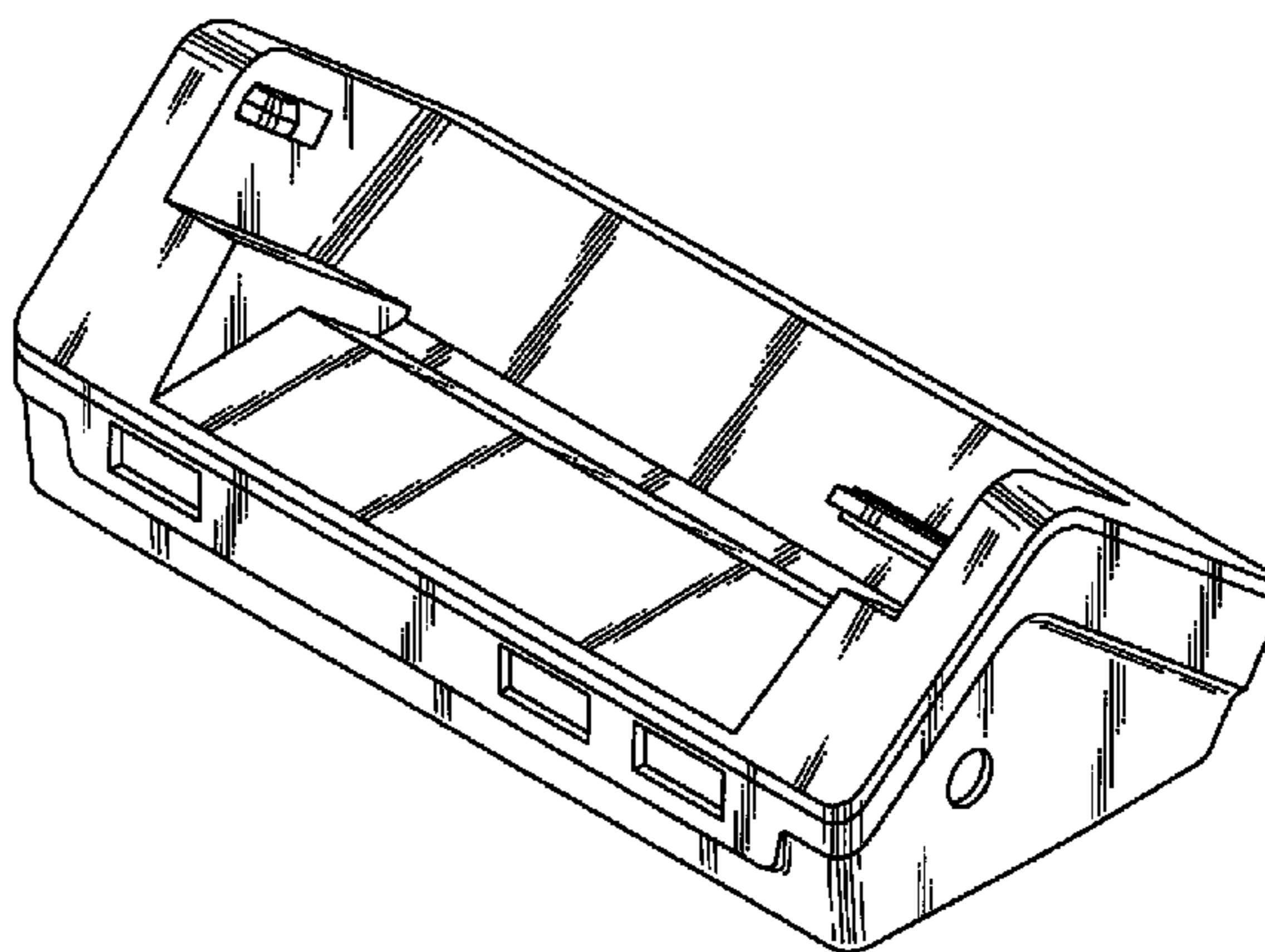
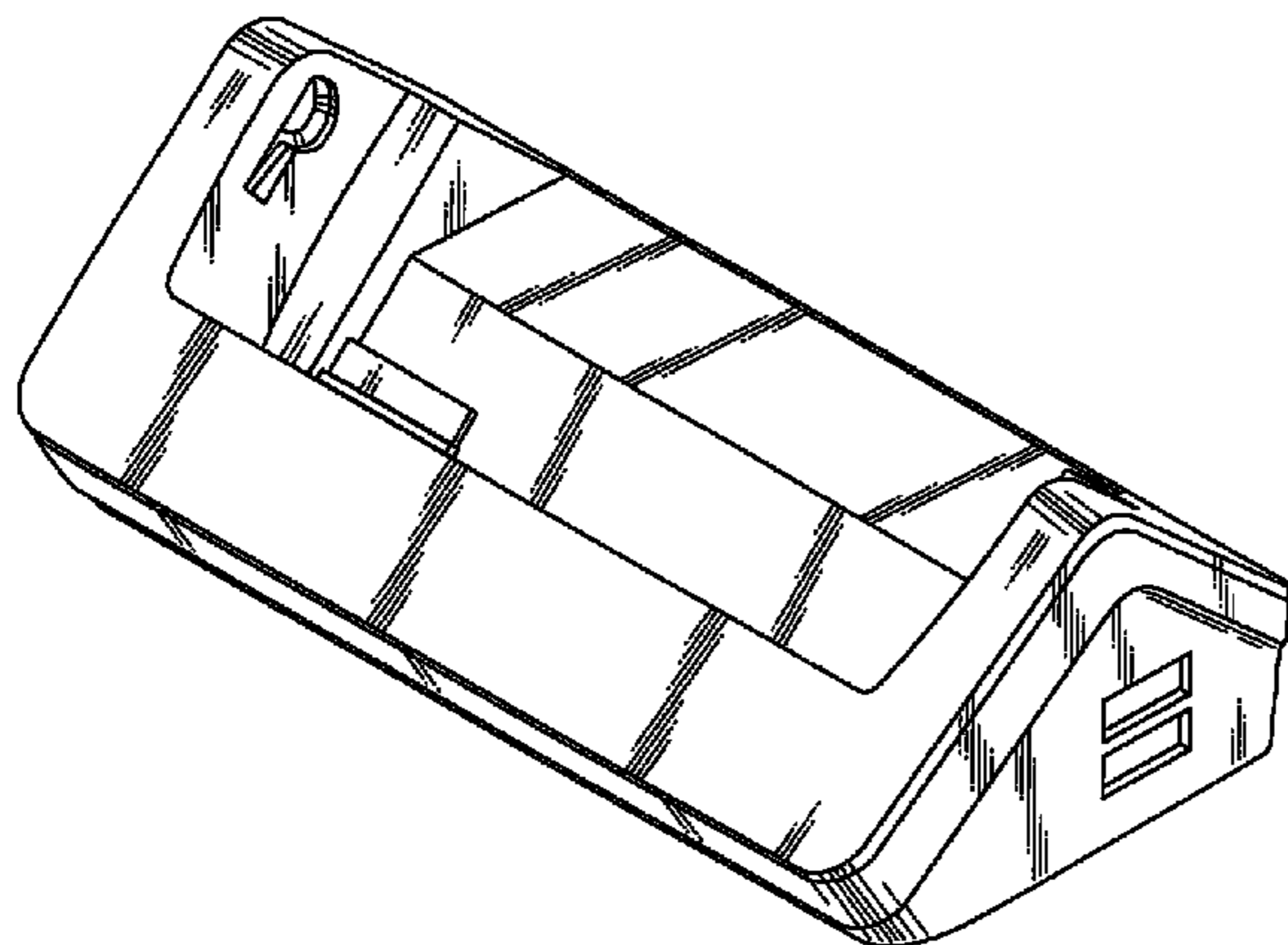
FIG. 8 is a right side view thereof;

FIG. 9 is a first perspective reference view of usage thereof; and,

FIG. 10 is a second perspective reference view of usage thereof.

The portions of the article in broken lines are shown for illustrative purposes only and form no part of the claimed design.

1 Claim, 6 Drawing Sheets



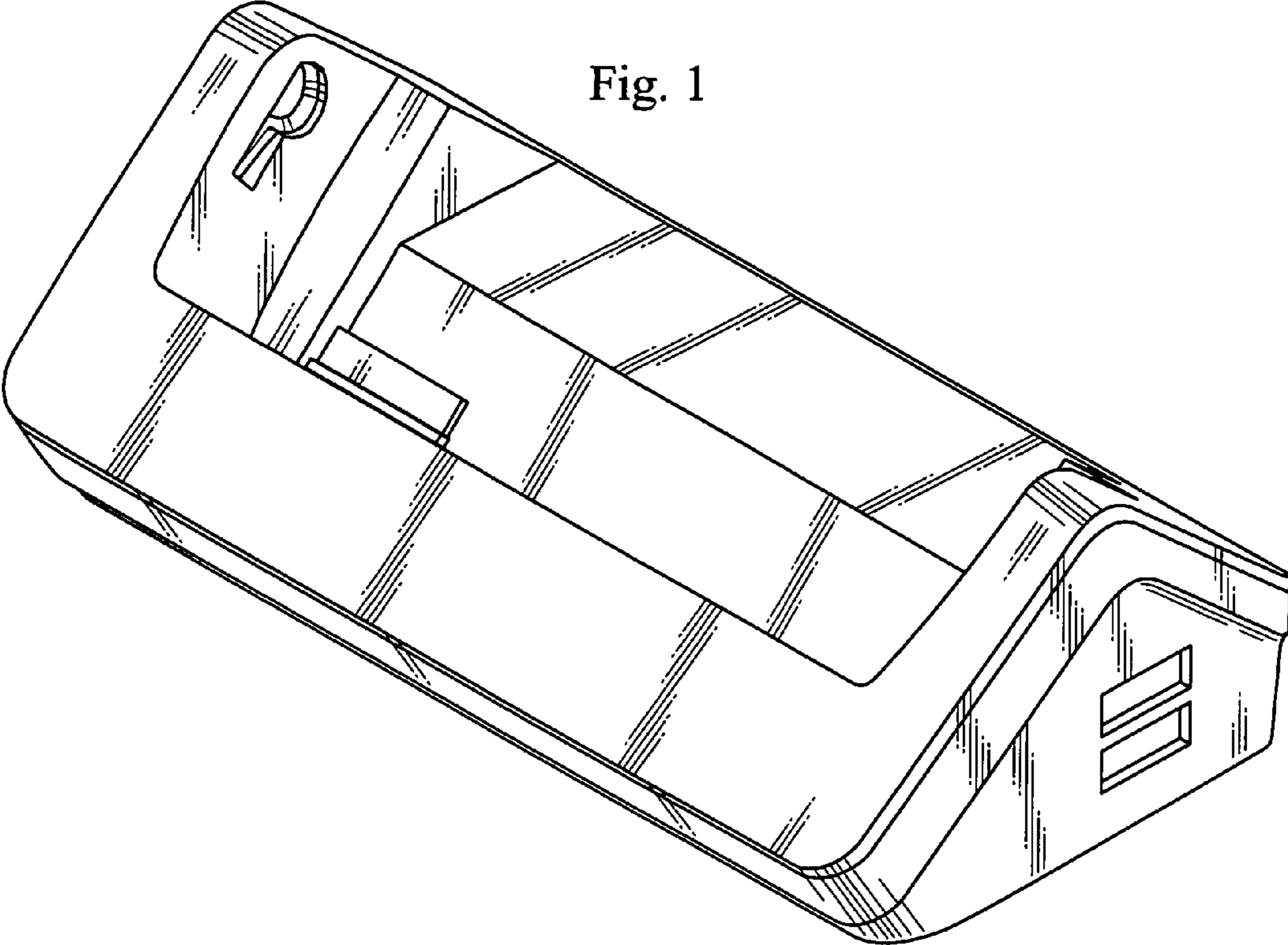


Fig. 2

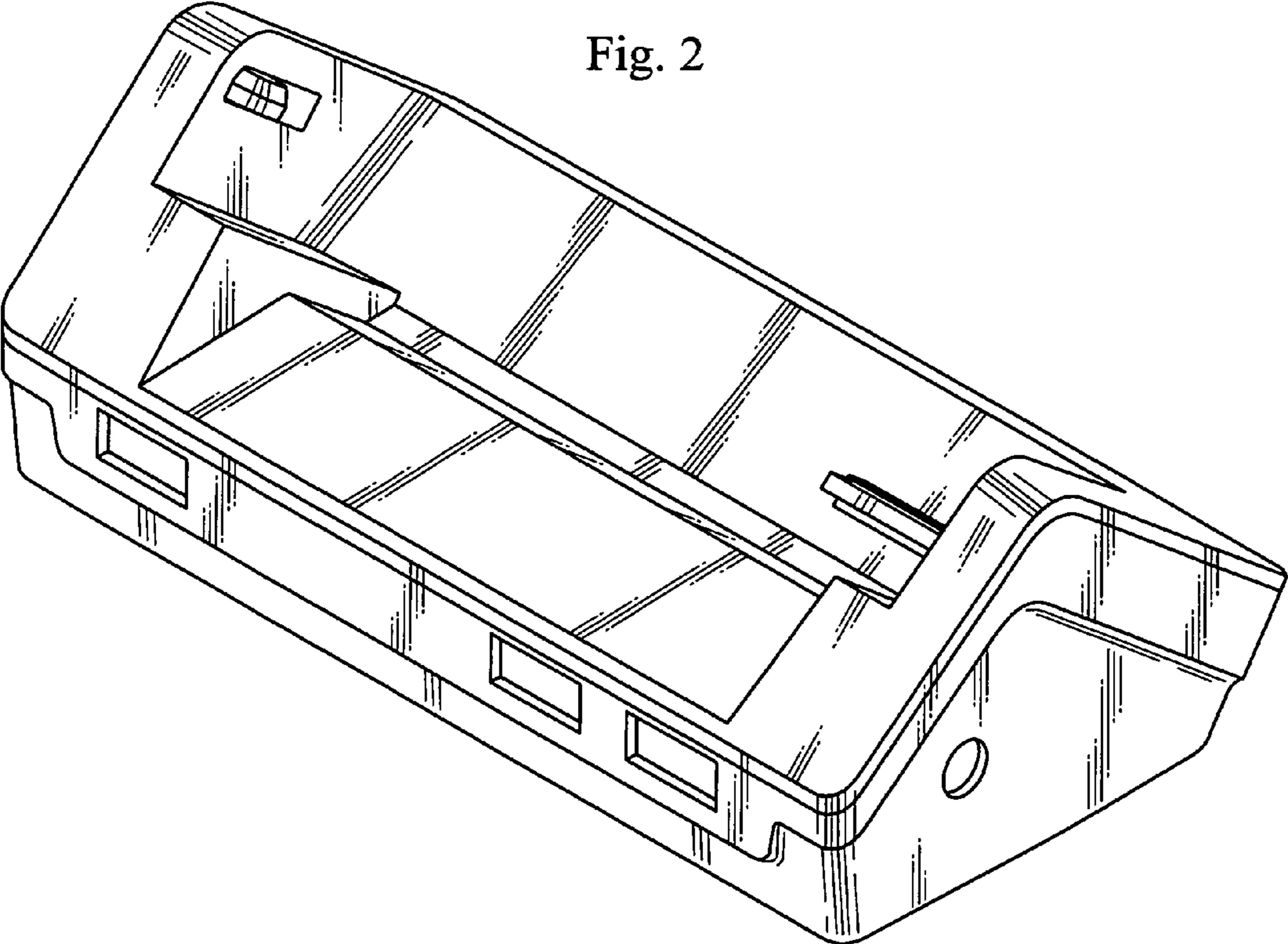


Fig. 3

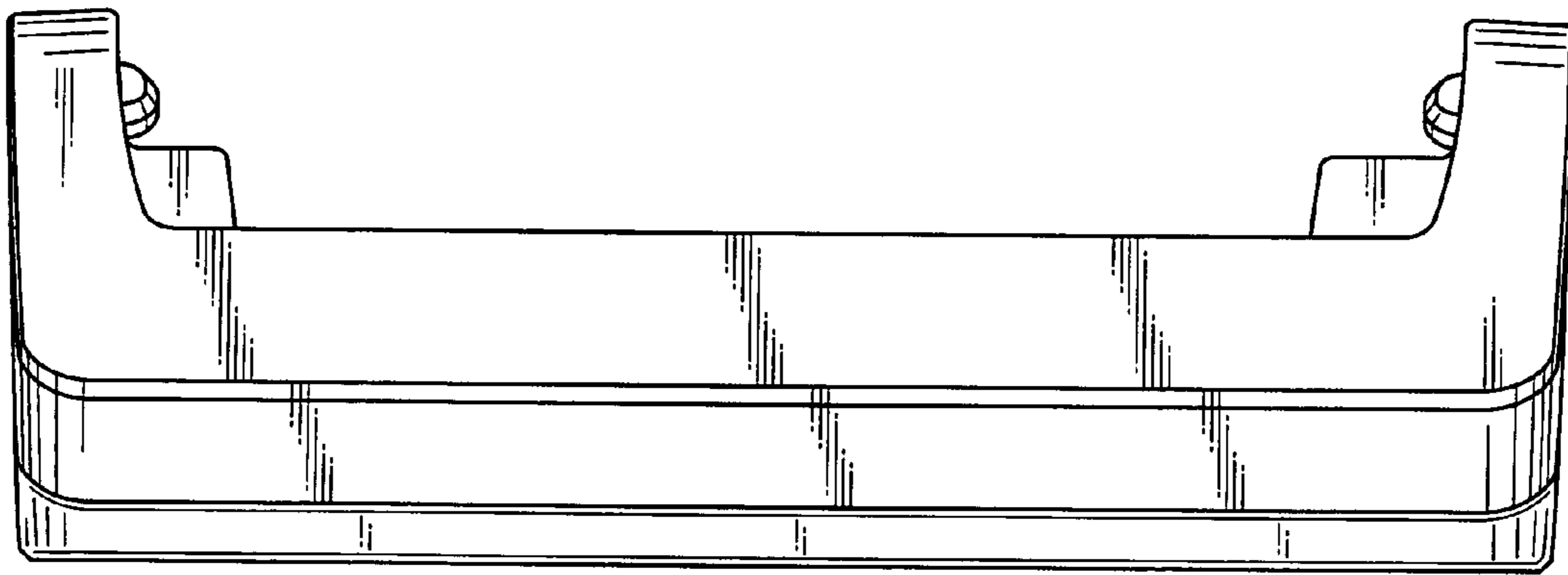


Fig. 4

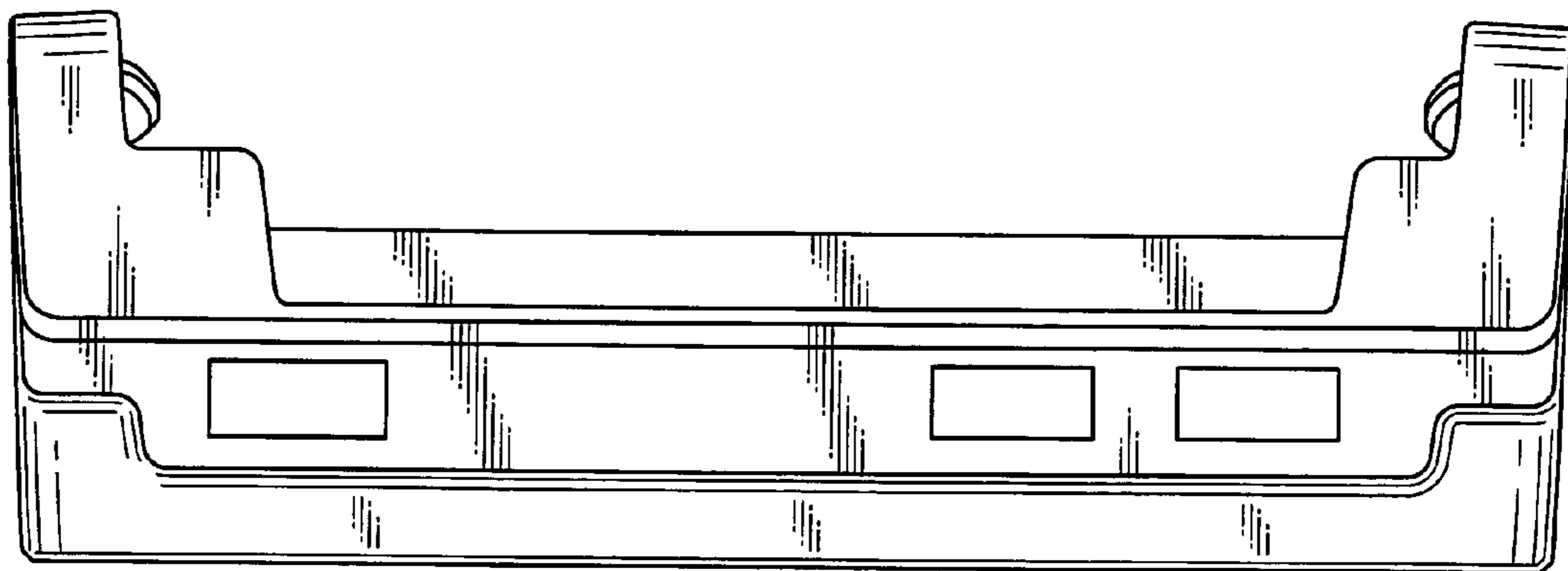


Fig. 5

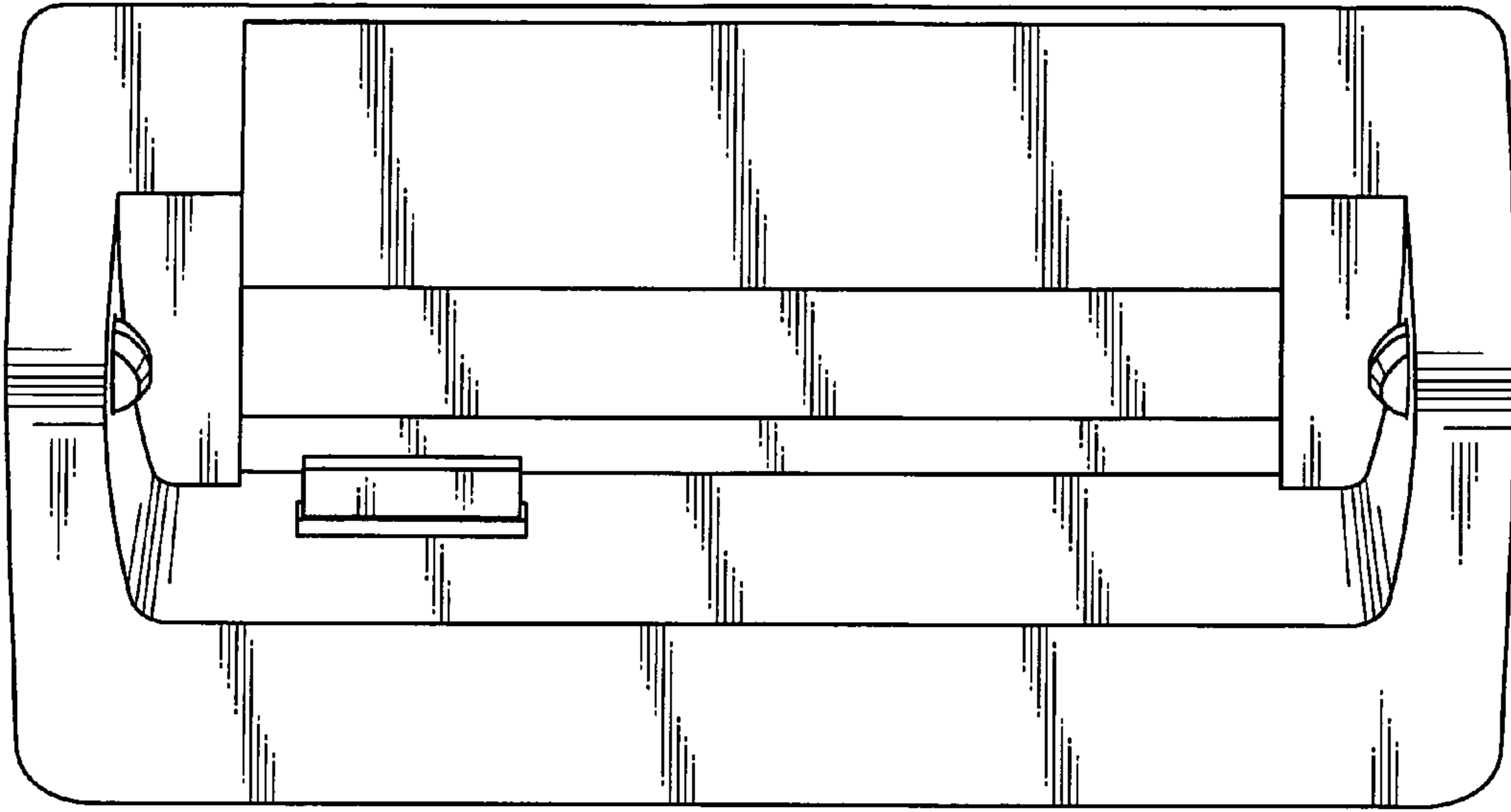


Fig. 6

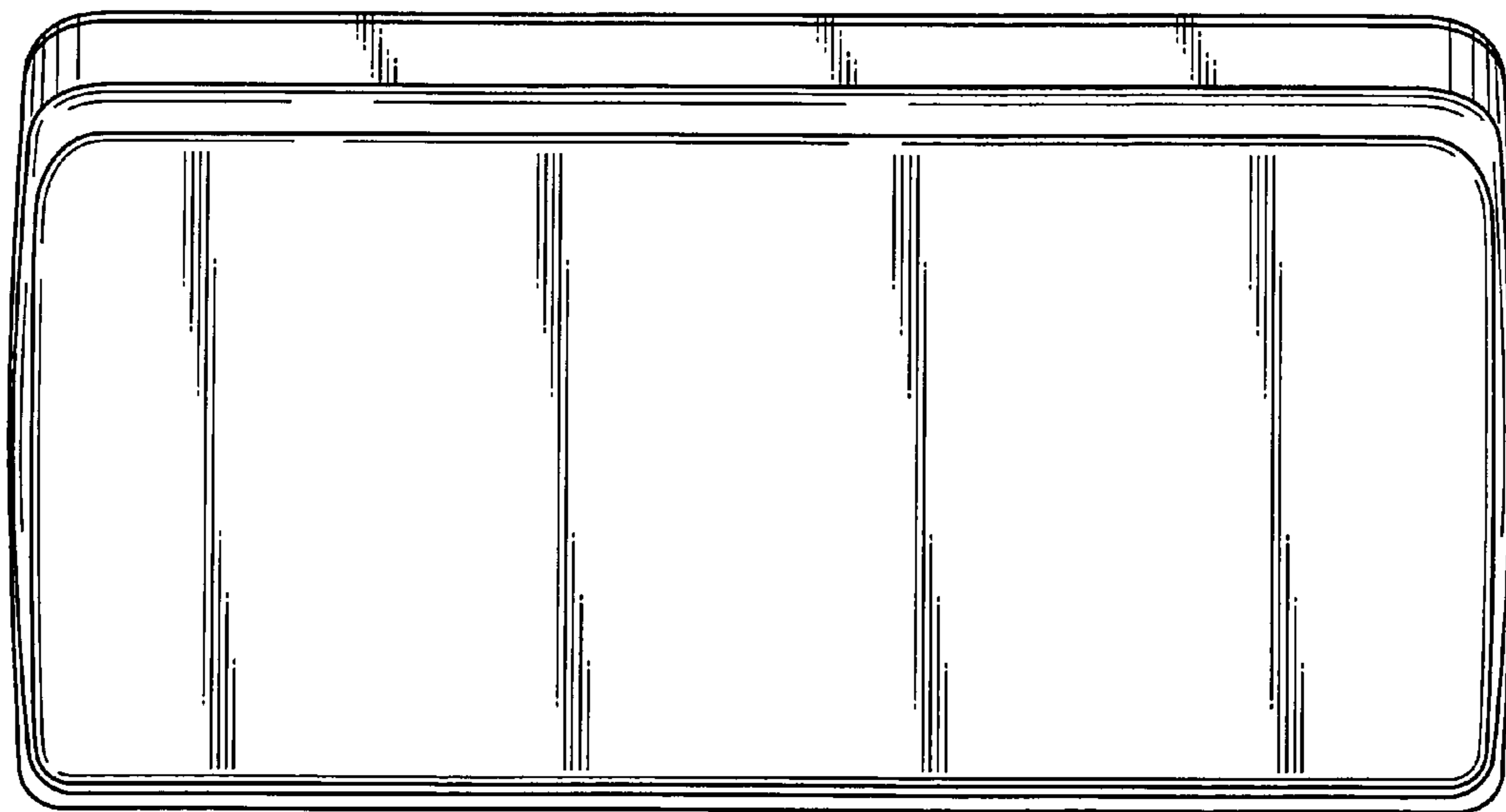


Fig. 7

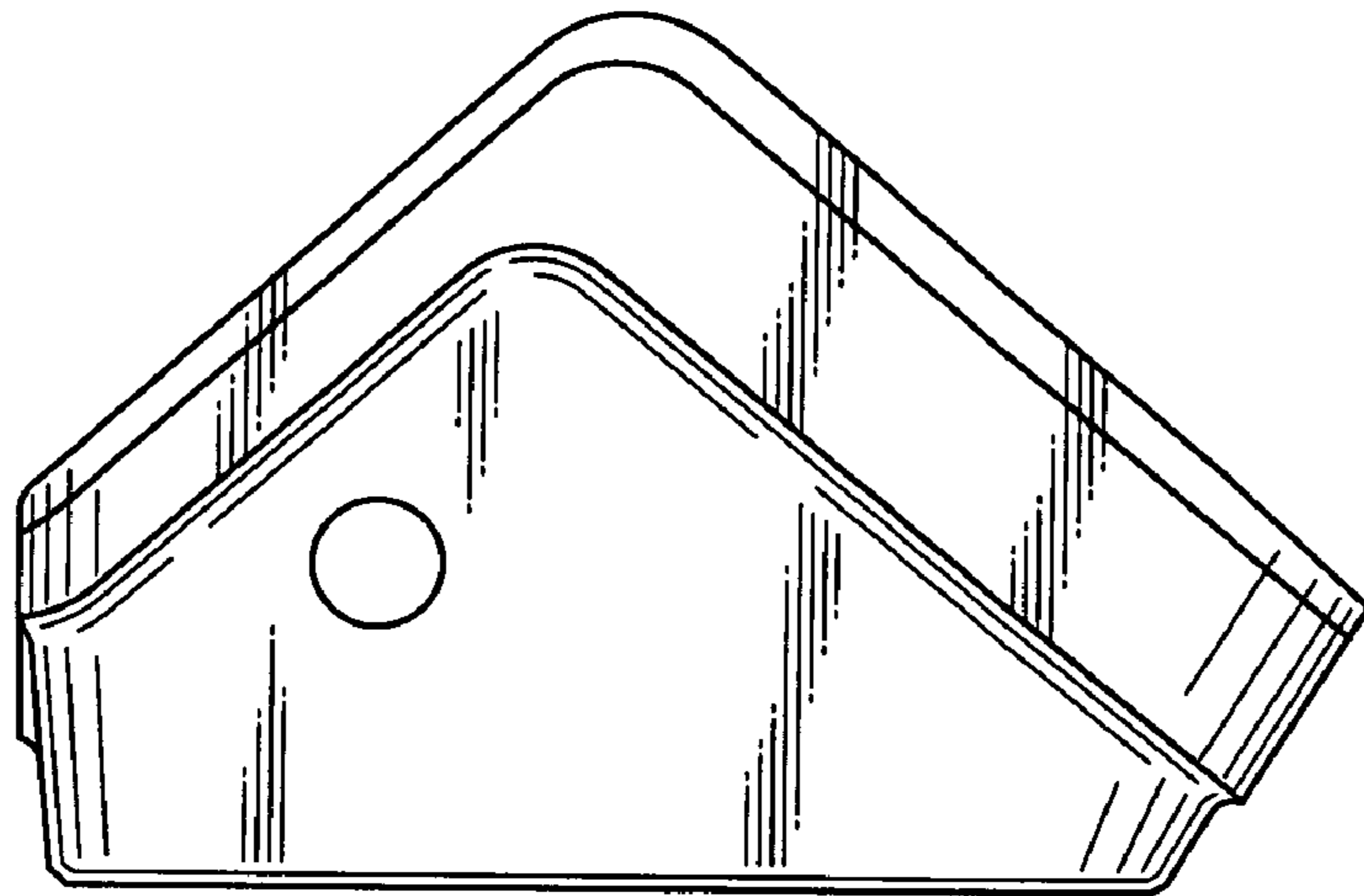


Fig. 8

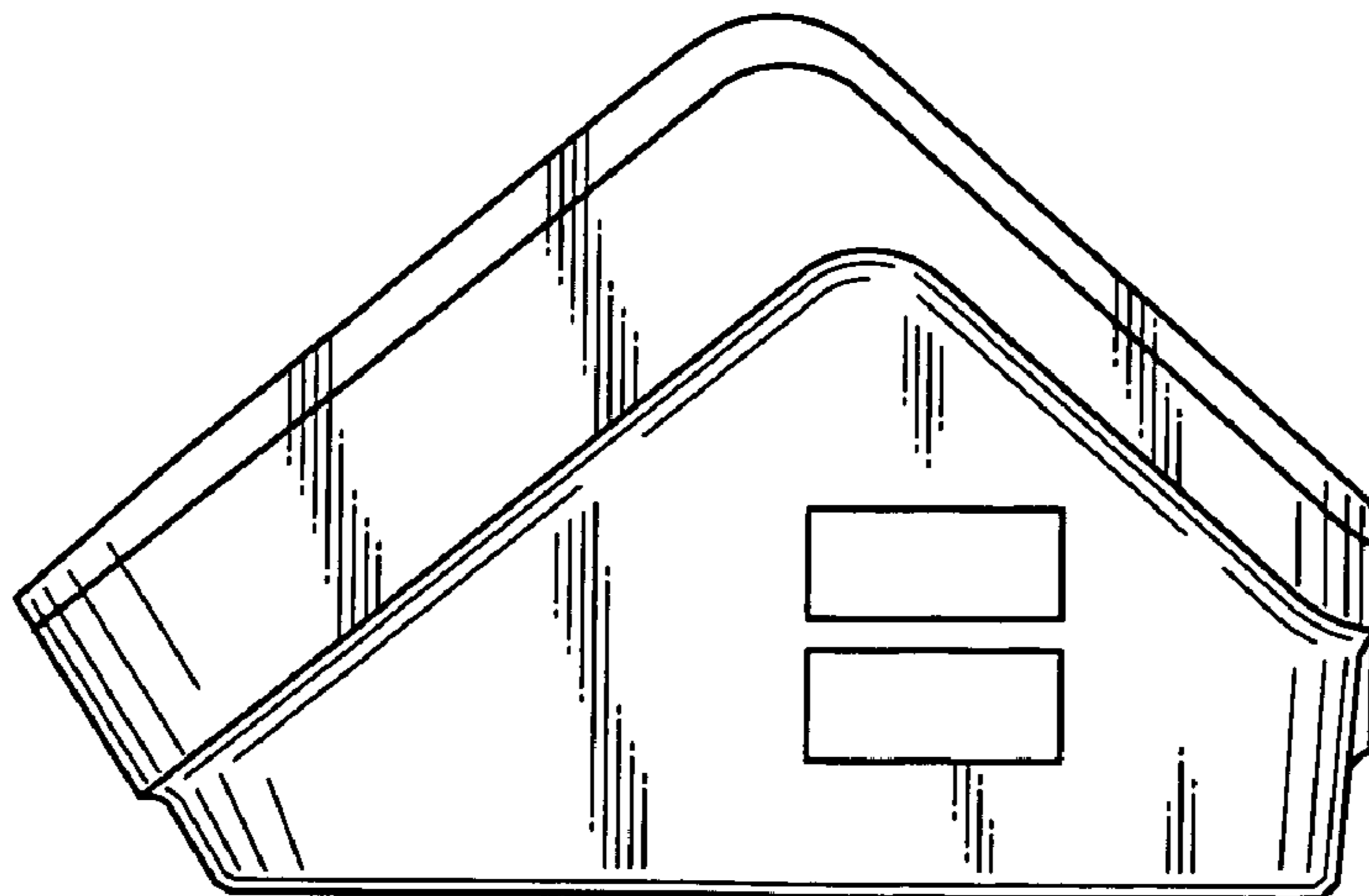


Fig. 9

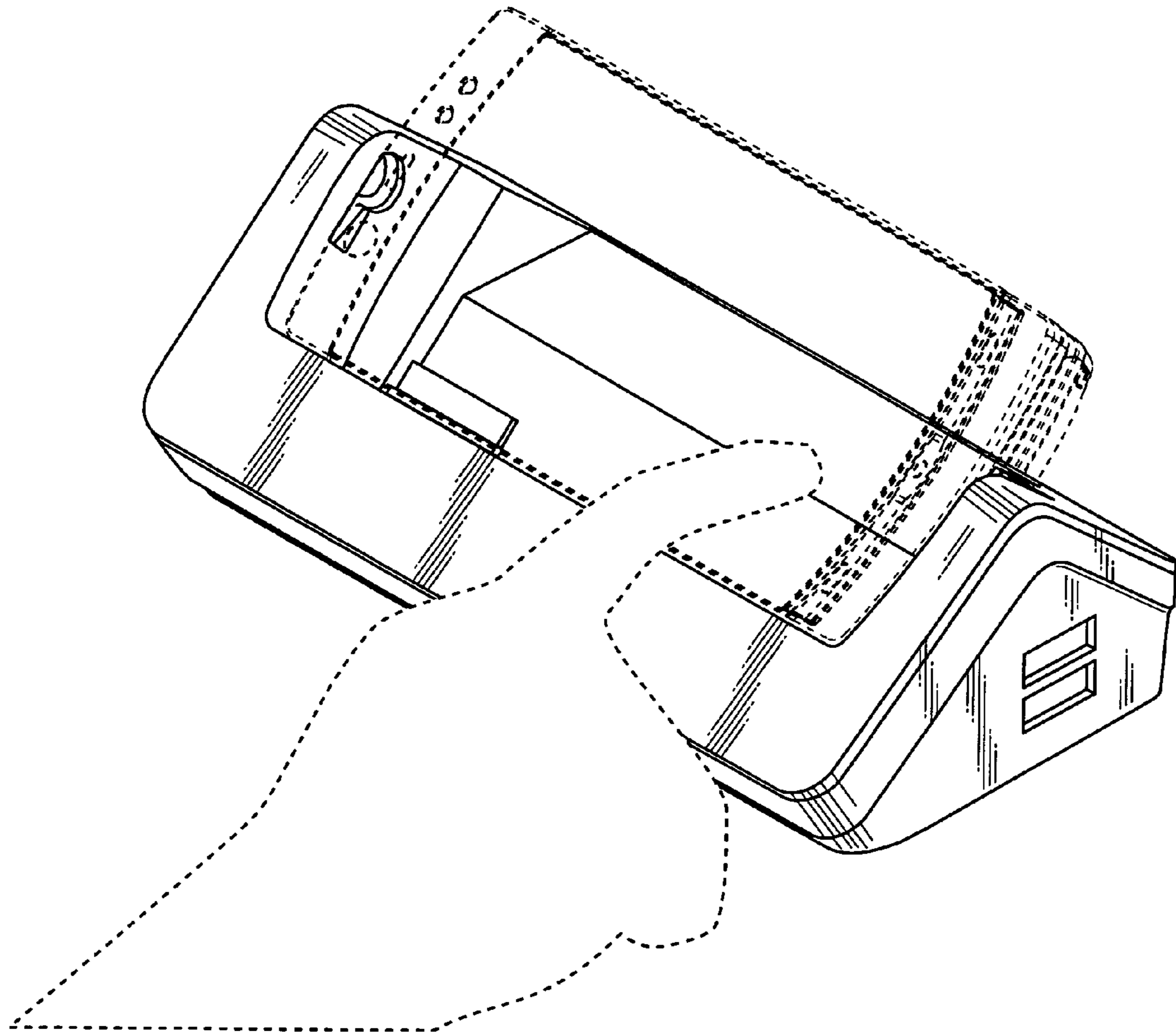


Fig. 10

