



US00D659091S

(12) **United States Design Patent**
Sasada et al.

(10) **Patent No.:** **US D659,091 S**

(45) **Date of Patent:** **** May 8, 2012**

(54) **CHARGER**

(75) Inventors: **Motohiro Sasada**, Sumoto (JP);
Takanori Oshima, Minamiawaji (JP)

(73) Assignee: **SANYO Electric Co., Ltd.**,
Moriguchi-shi (JP)

(**) Term: **14 Years**

(21) Appl. No.: **29/404,746**

(22) Filed: **Oct. 25, 2011**

(30) **Foreign Application Priority Data**

May 17, 2011 (JP) 2011-010962

(51) **LOC (9) Cl.** **13-02**

(52) **U.S. Cl.** **D13/107**

(58) **Field of Classification Search** D13/107-110,
D13/118-119, 184; D14/251, 253, 432,
D14/434; 320/107-115

See application file for complete search history.

(56) **References Cited**

U.S. PATENT DOCUMENTS

D292,405	S	*	10/1987	Kitani et al.	D18/54
D409,976	S	*	5/1999	Buck	D13/107
5,901,056	A	*	5/1999	Hung	363/142
D427,965	S	*	7/2000	Wu	D13/107
D529,495	S	*	10/2006	Kent et al.	D14/356
D628,153	S	*	11/2010	Fujii et al.	D13/108
D628,535	S	*	12/2010	Cheng	D13/108
D645,049	S	*	9/2011	Faranda et al.	D14/480.5

D645,050	S	*	9/2011	Faranda et al.	D14/480.5
D650,328	S	*	12/2011	Fitch et al.	D13/107
D652,379	S	*	1/2012	Vandiver	D13/108

* cited by examiner

Primary Examiner — Rosemary K Tarcza

(74) *Attorney, Agent, or Firm* — Westerman, Hattori,
Daniels & Adrian, LLP

(57) **CLAIM**

The ornamental design for a charger, as shown and described.

DESCRIPTION

FIG. 1 is a top perspective view from the front left side of a charger showing our new design;

FIG. 2 is a bottom perspective view from the front left side thereof;

FIG. 3 is a top plan view thereof;

FIG. 4 is a bottom plan view thereof;

FIG. 5 is a front elevational view thereof;

FIG. 6 is a rear elevational view thereof;

FIG. 7 is a right side elevational view thereof;

FIG. 8 is a left side elevational view thereof;

FIG. 9 is a cross-sectional view thereof, taken along line 9-9 of FIG. 3; ps FIG. 10 is a left front perspective view thereof, showing the battery storage portion disengaged, and connector and cable portion in the undocked state;

FIG. 11 is a left rear perspective view thereof, showing the battery storage portion disengaged, and connector and cable portion in the undocked state; and,

FIG. 12 is a perspective view showing the charger is use, wherein the cable portion is plugged into a computer or other electronic device, and a battery pack in position.

The broken lines illustrate environmental structure and form no part of the claimed design.

1 Claim, 10 Drawing Sheets

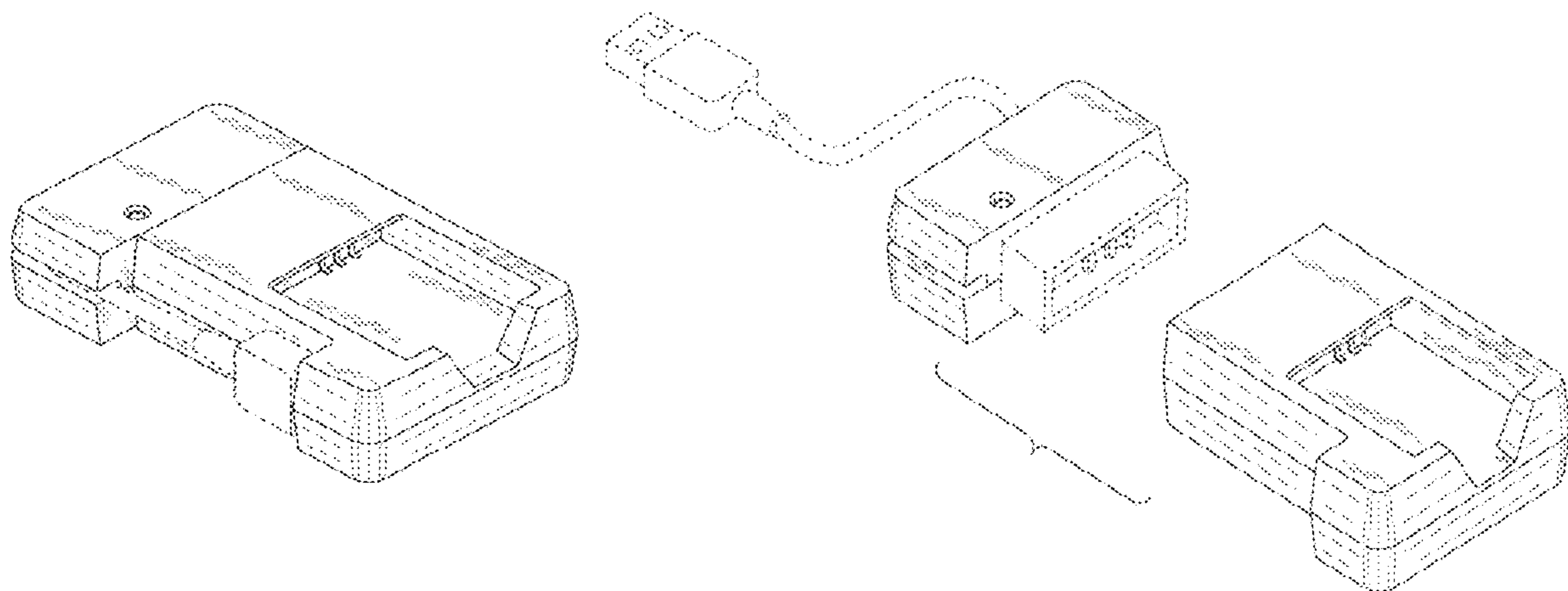


FIG. 1

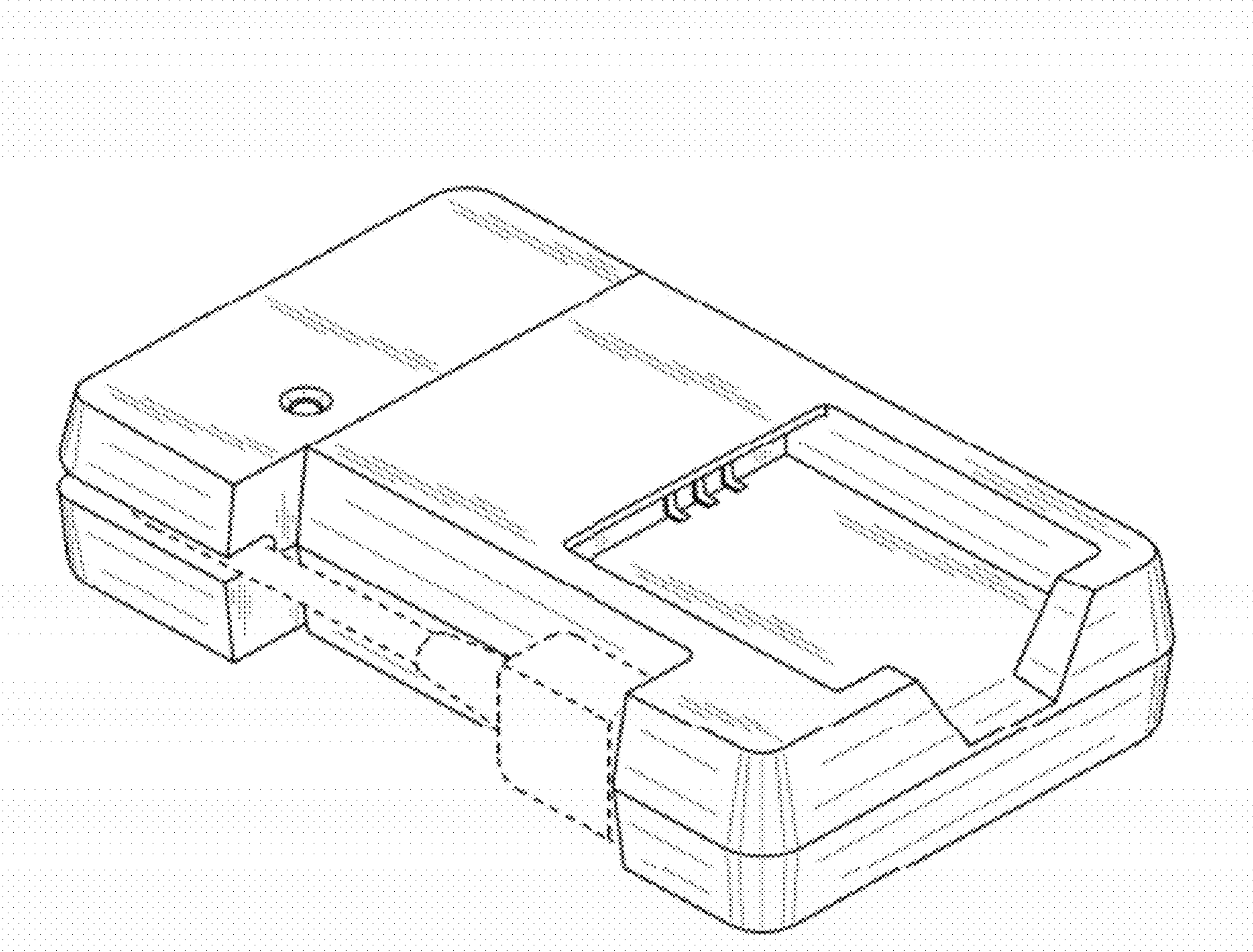


FIG. 2

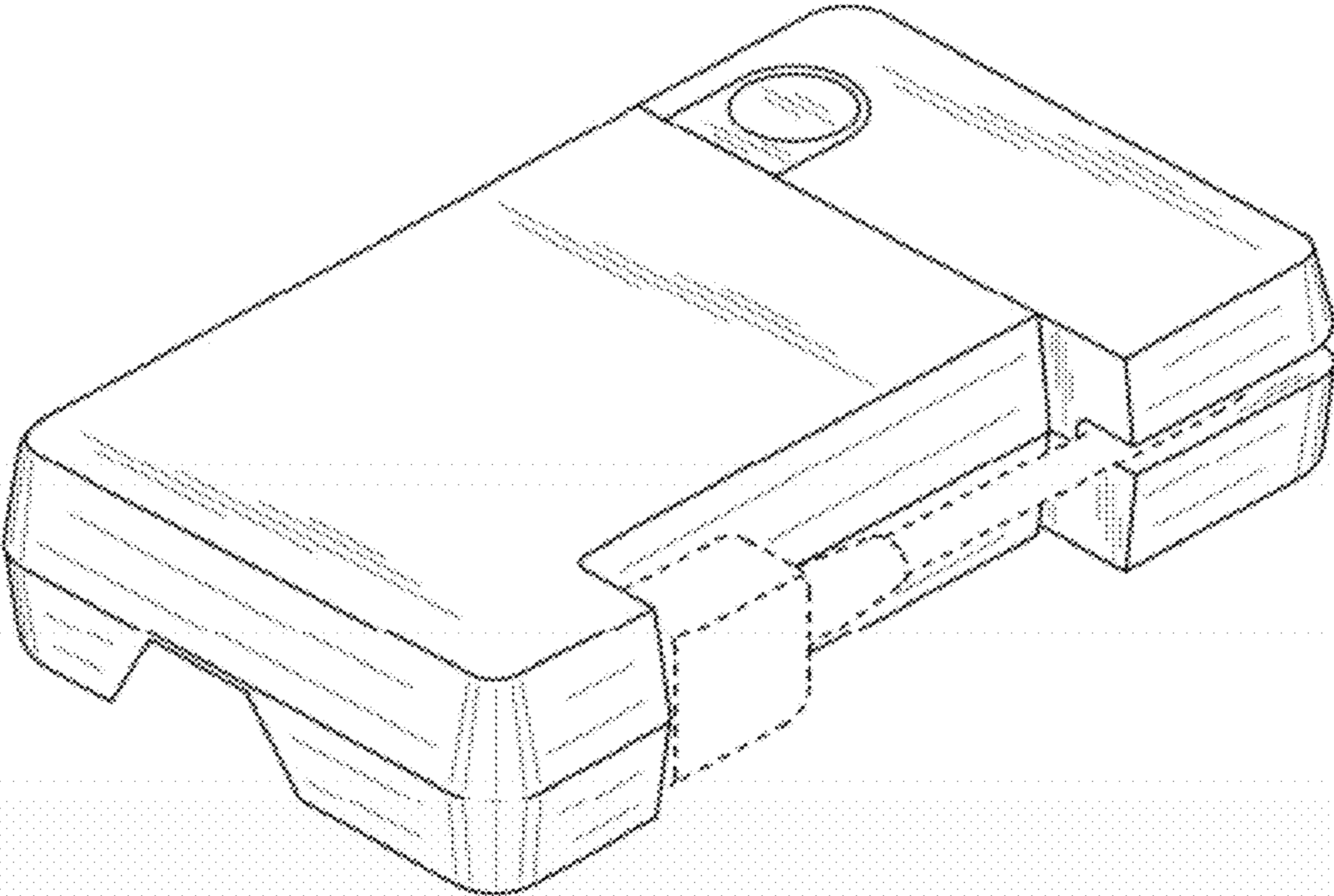


FIG. 3

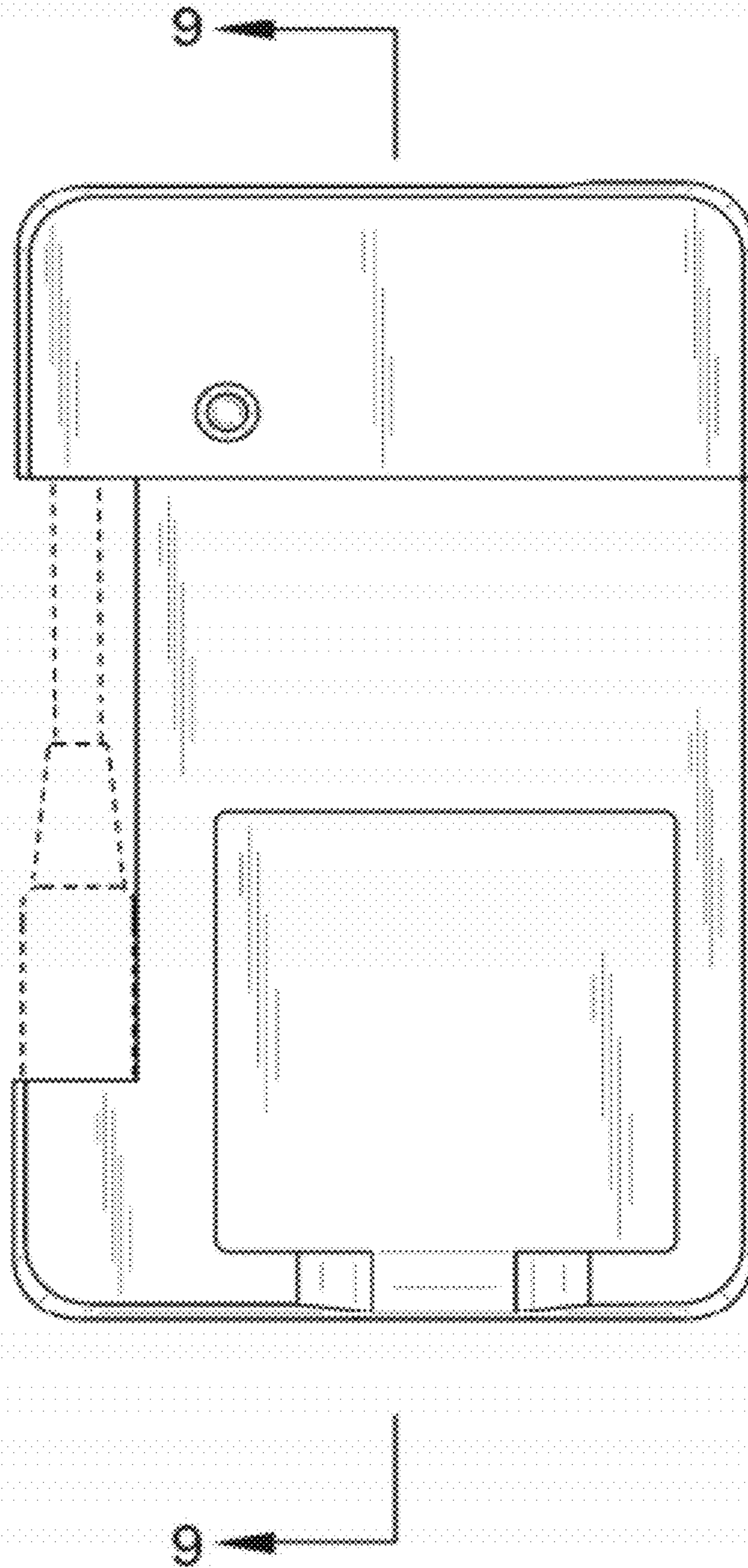


FIG. 4

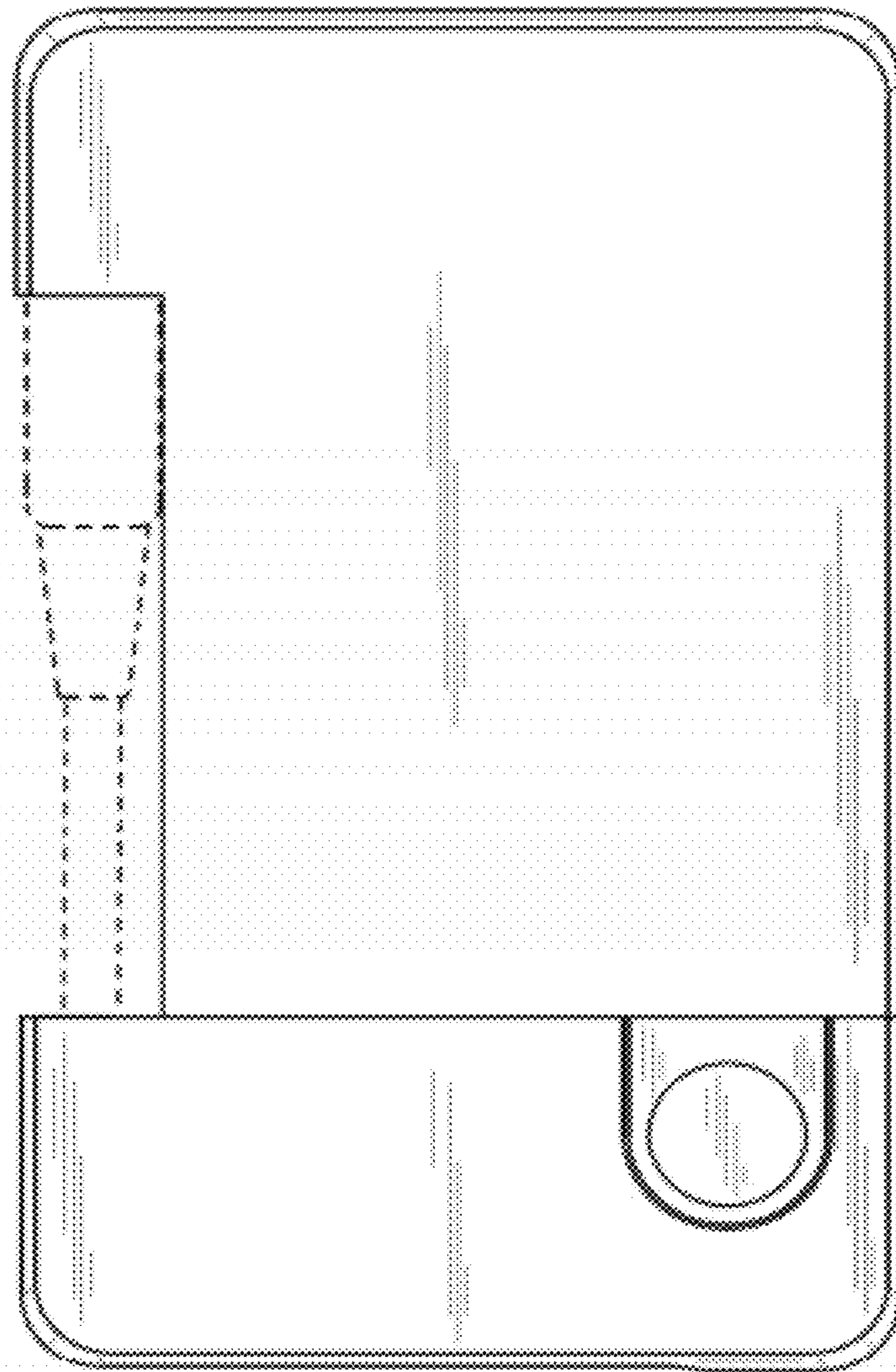


FIG. 5

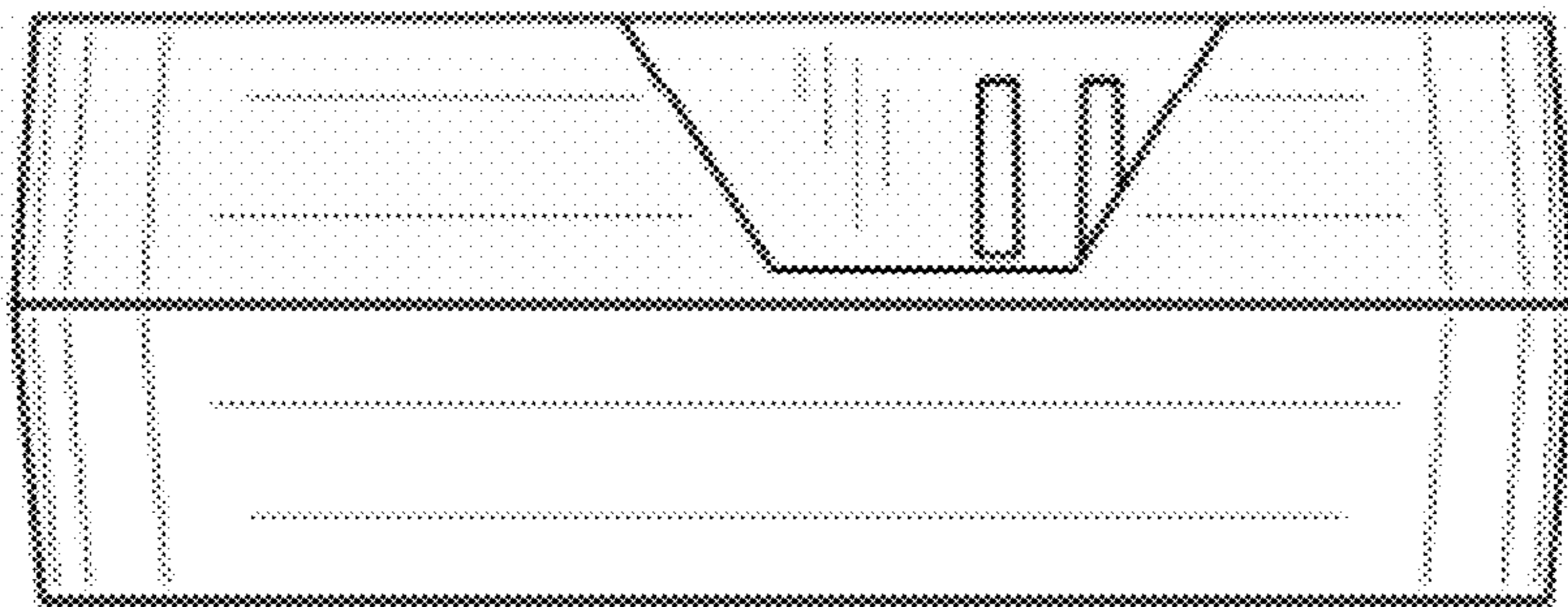


FIG. 6

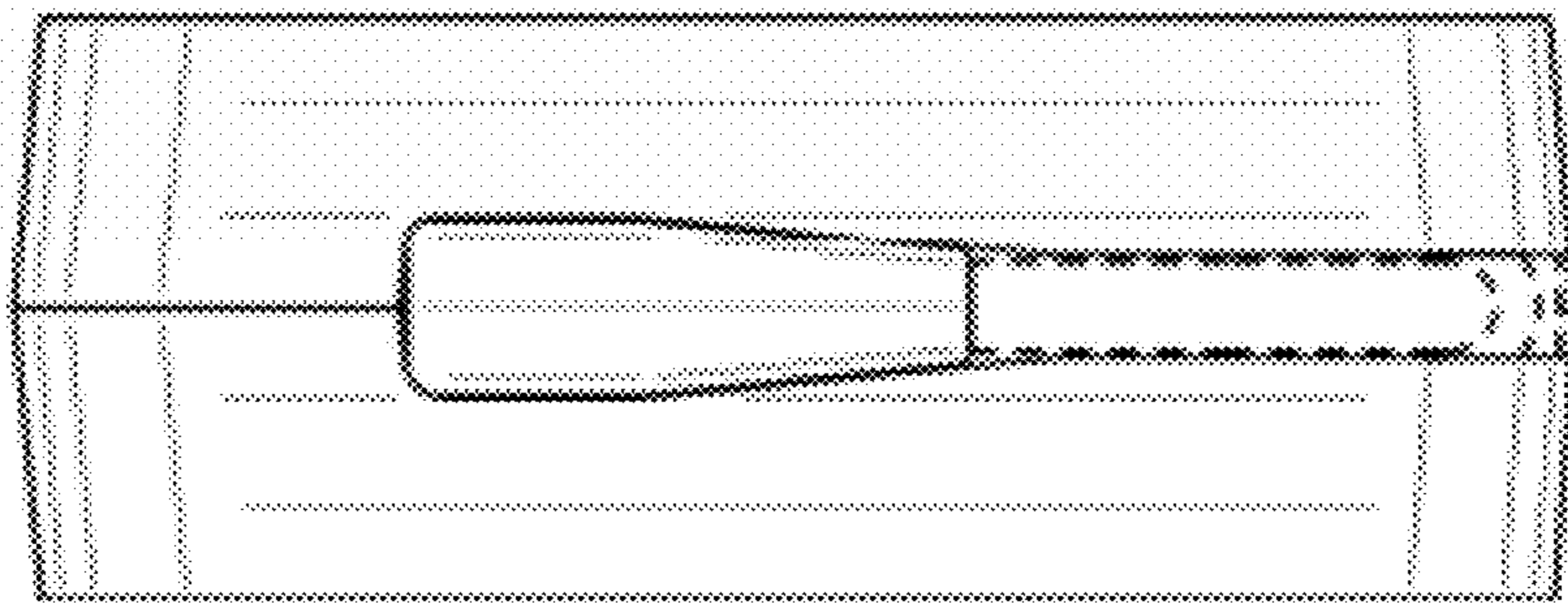


FIG.7

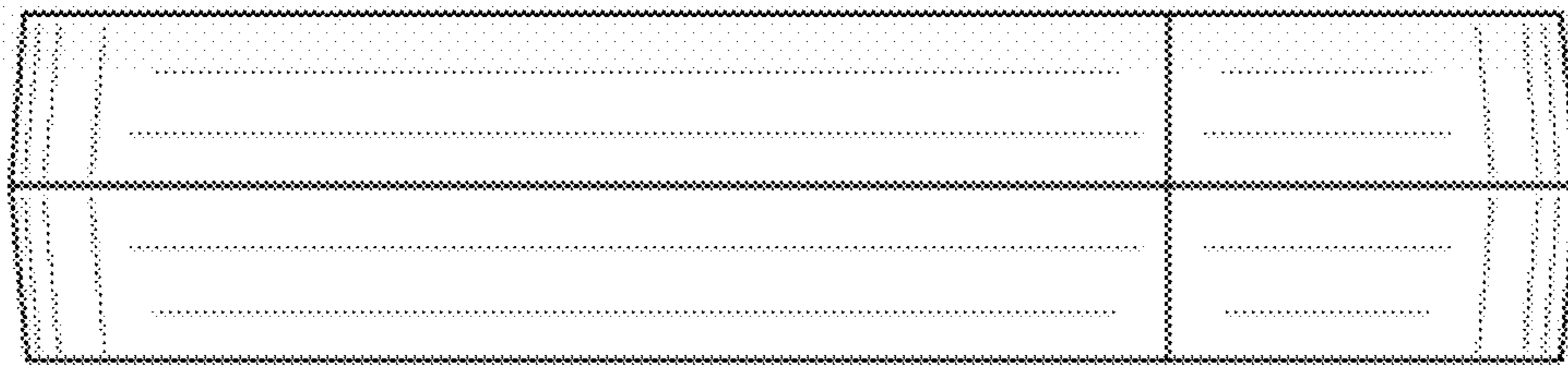


FIG.8

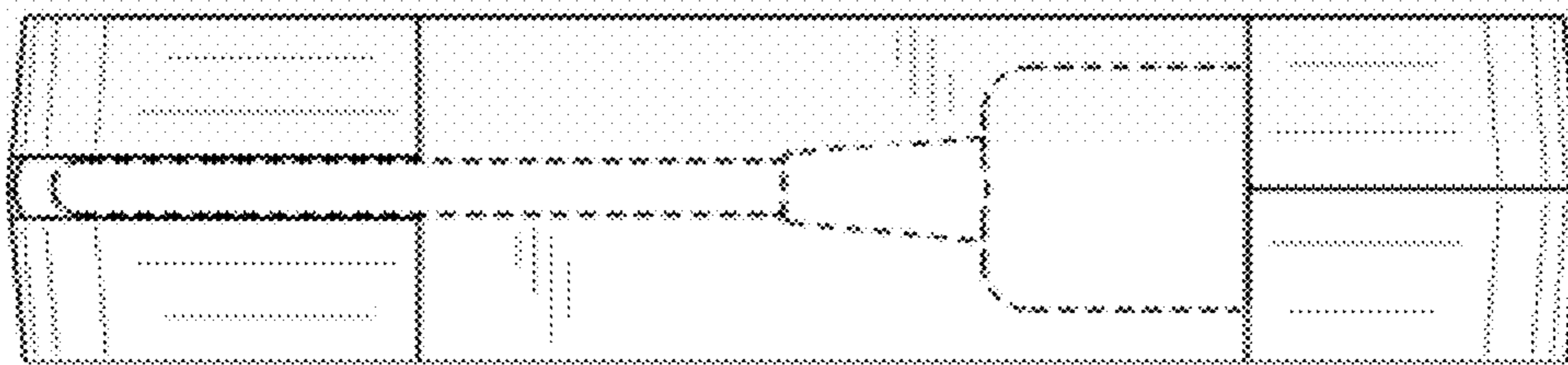
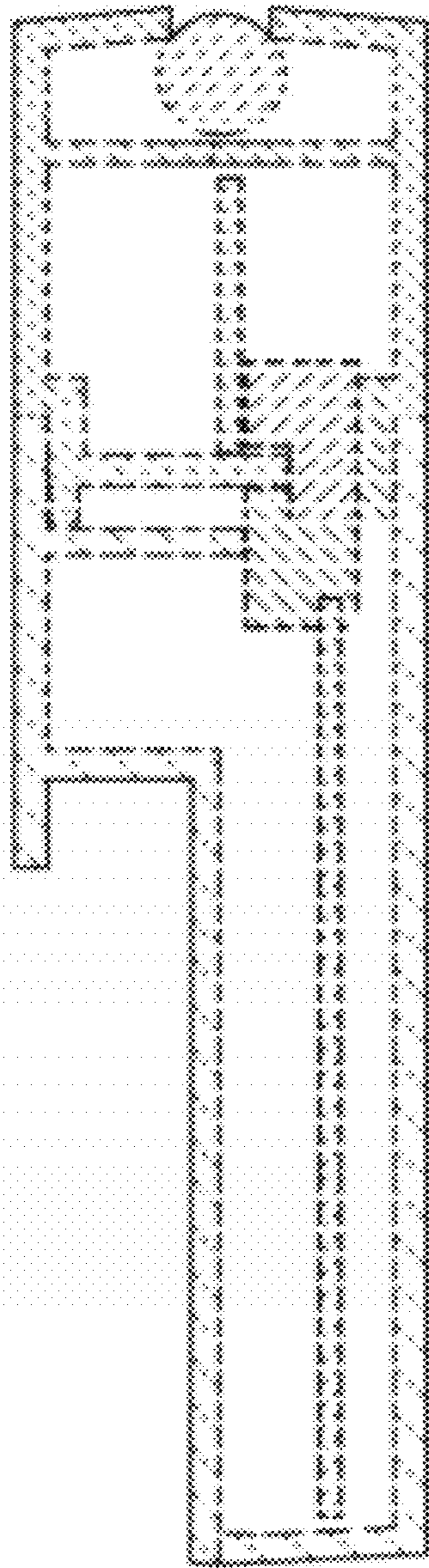


FIG. 9



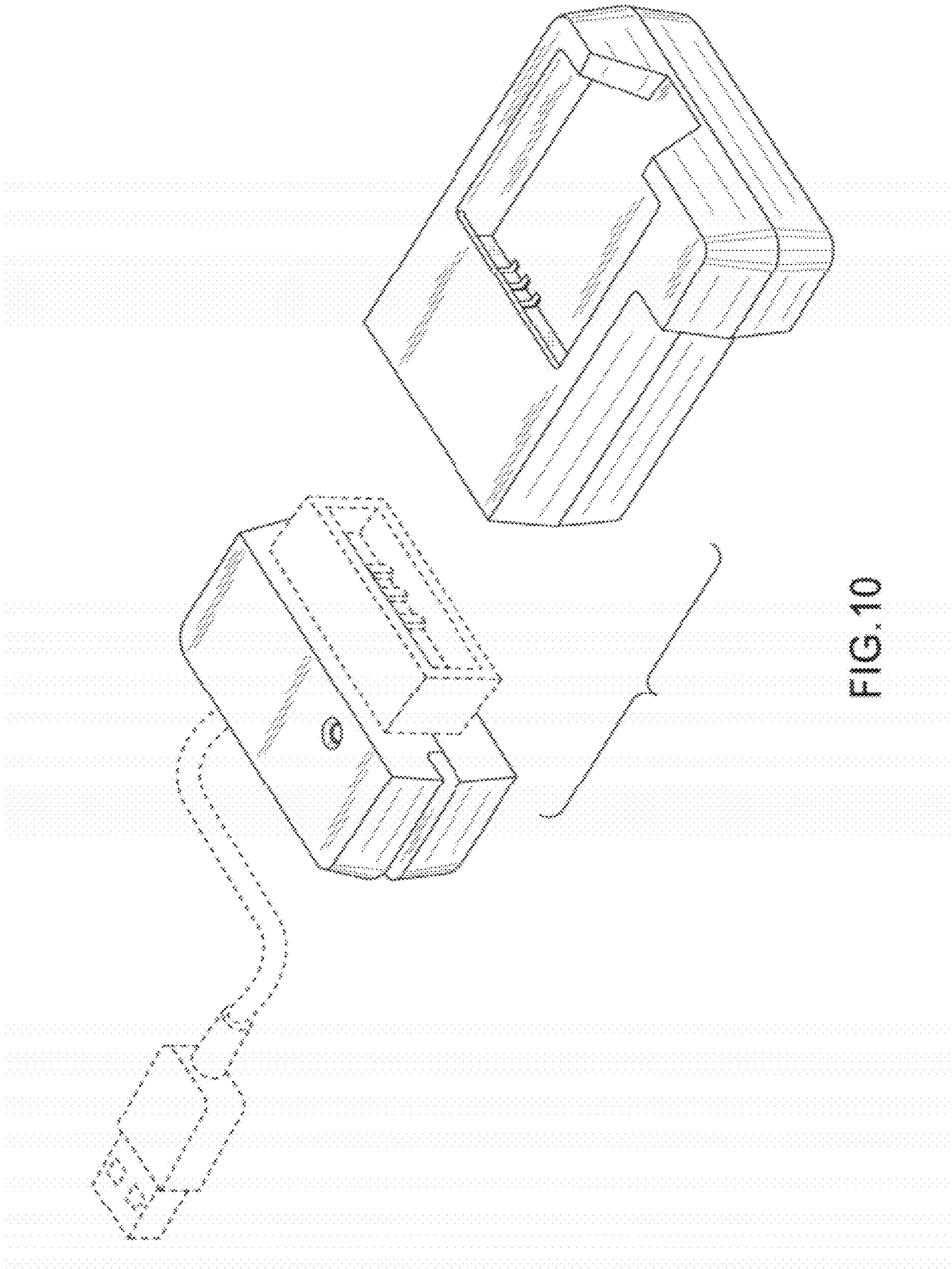


FIG.10

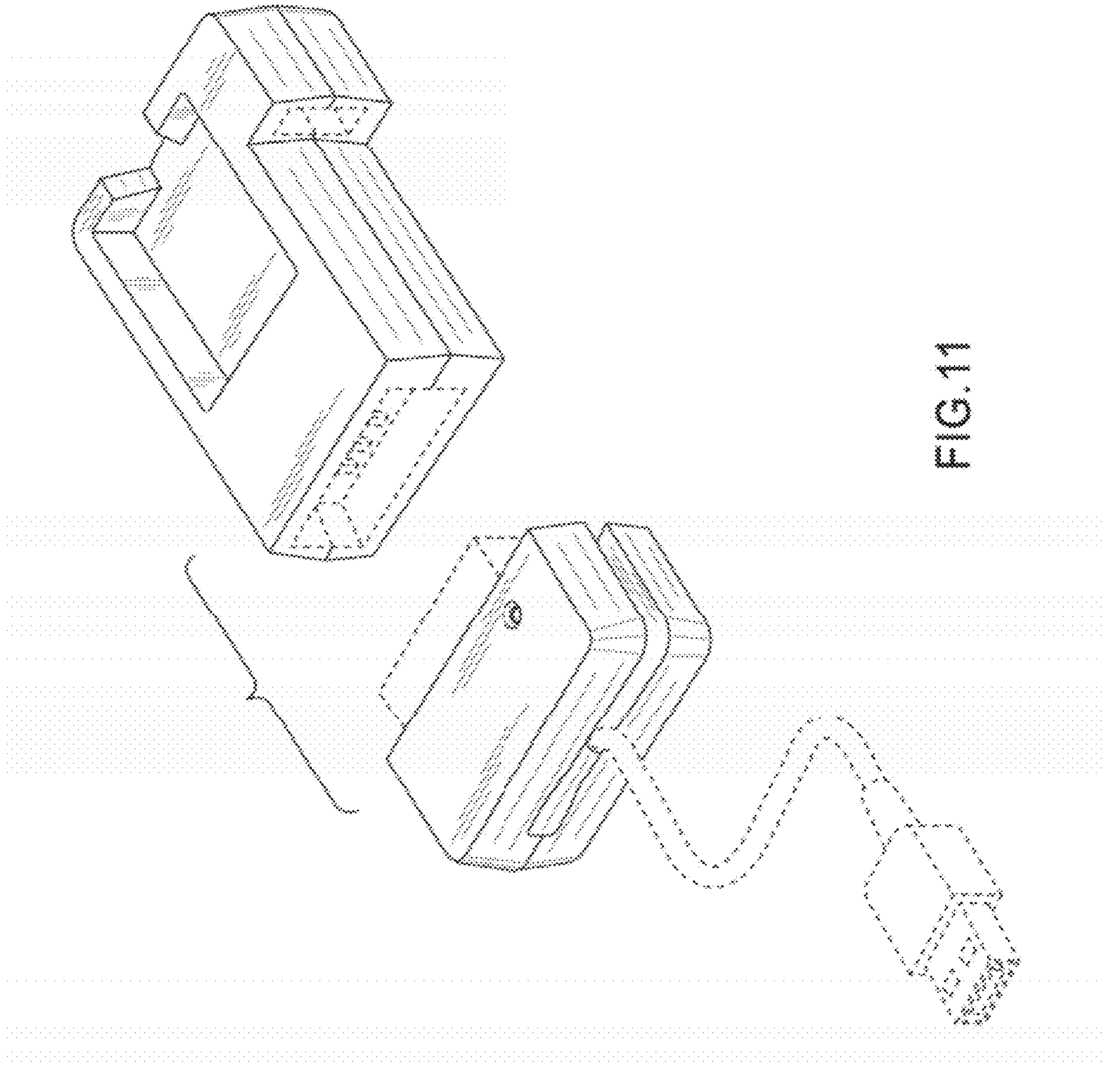


FIG. 11

