



US00D659090S

(12) **United States Design Patent**
deRoo et al.

(10) **Patent No.:** **US D659,090 S**

(45) **Date of Patent:** **** May 8, 2012**

(54) **CHARGING STATION**

(75) Inventors: **Harm deRoo**, Bohlingen (DE); **Tudor Baiatu**, Brugg (CH)

(73) Assignee: **ABB Schweiz AG**, Baden (CH)

(**) Term: **14 Years**

(21) Appl. No.: **29/403,780**

(22) Filed: **Oct. 11, 2011**

(30) **Foreign Application Priority Data**

Apr. 11, 2011 (CH) DM075841

(51) **LOC (9) Cl.** **13-02**

(52) **U.S. Cl.** **D13/107**

(58) **Field of Classification Search** D13/107-110,
D13/118-119, 184, 199; D14/251, 253,
D14/432, 434; 320/103-105, 107-115

See application file for complete search history.

(56) **References Cited**

U.S. PATENT DOCUMENTS

5,461,299	A *	10/1995	Bruni	320/108
6,362,594	B2 *	3/2002	Kajiura	320/104
D597,937	S *	8/2009	Haw et al.	D13/107
D608,731	S *	1/2010	Amit	D13/107
D613,683	S *	4/2010	Baxter et al.	D13/107

D626,064	S *	10/2010	Cutter et al.	D13/107
D626,065	S *	10/2010	Cutter et al.	D13/107
D628,960	S *	12/2010	Shimizu et al.	D13/107
D629,747	S *	12/2010	Rajakaruna	D13/107
D646,631	S *	10/2011	Gotou et al.	D13/107
D647,053	S *	10/2011	Gotou et al.	D13/107
2001/0002786	A1 *	6/2001	Najima	320/108
2010/0315040	A1 *	12/2010	Sakurai	320/109
2011/0145141	A1 *	6/2011	Blain	705/39
2011/0174875	A1 *	7/2011	Wurzer	235/380

* cited by examiner

Primary Examiner — Rosemary K Tarcza

(74) *Attorney, Agent, or Firm* — McCracken & Frank LLC

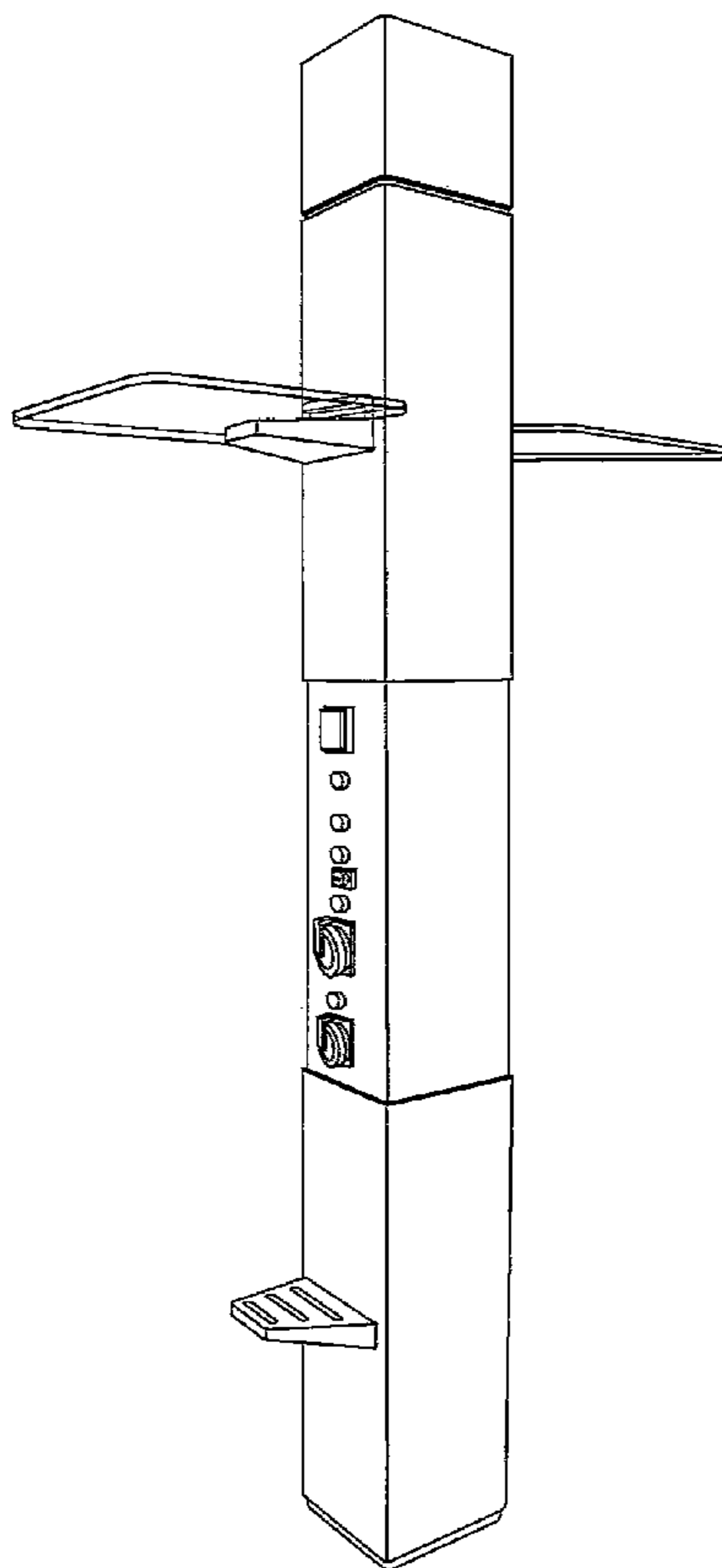
(57) **CLAIM**

The ornamental design for a charging station, as shown and described herein.

DESCRIPTION

FIG. 1 is a perspective view of a charging station; FIG. 2 is a left side view of the charging station; FIG. 3 is a right side view of the charging station; FIG. 4 is a front view of the charging station; FIG. 5 is a rear view of the charging station; FIG. 6 is a top view of the charging station; and, FIG. 7 is a bottom view of the charging station.

1 Claim, 7 Drawing Sheets



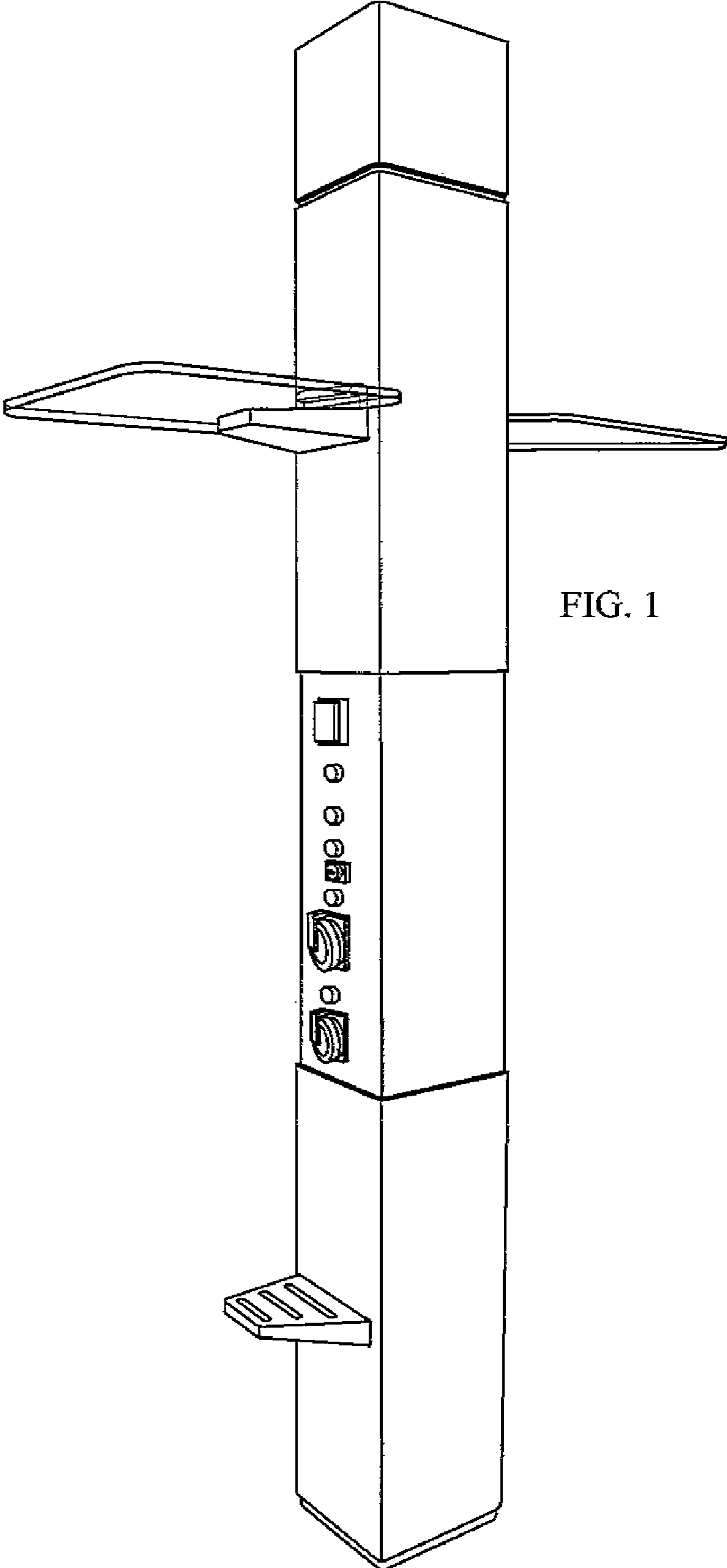


FIG. 1

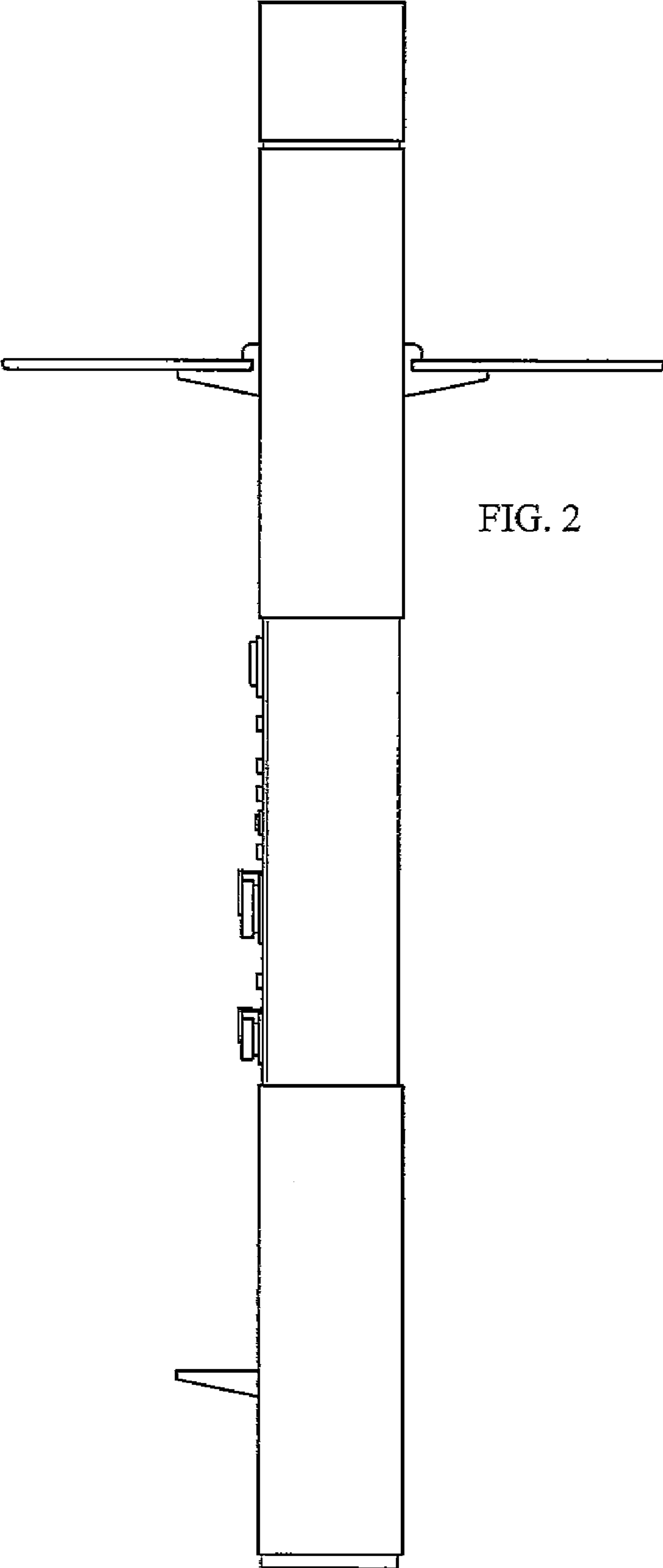


FIG. 2

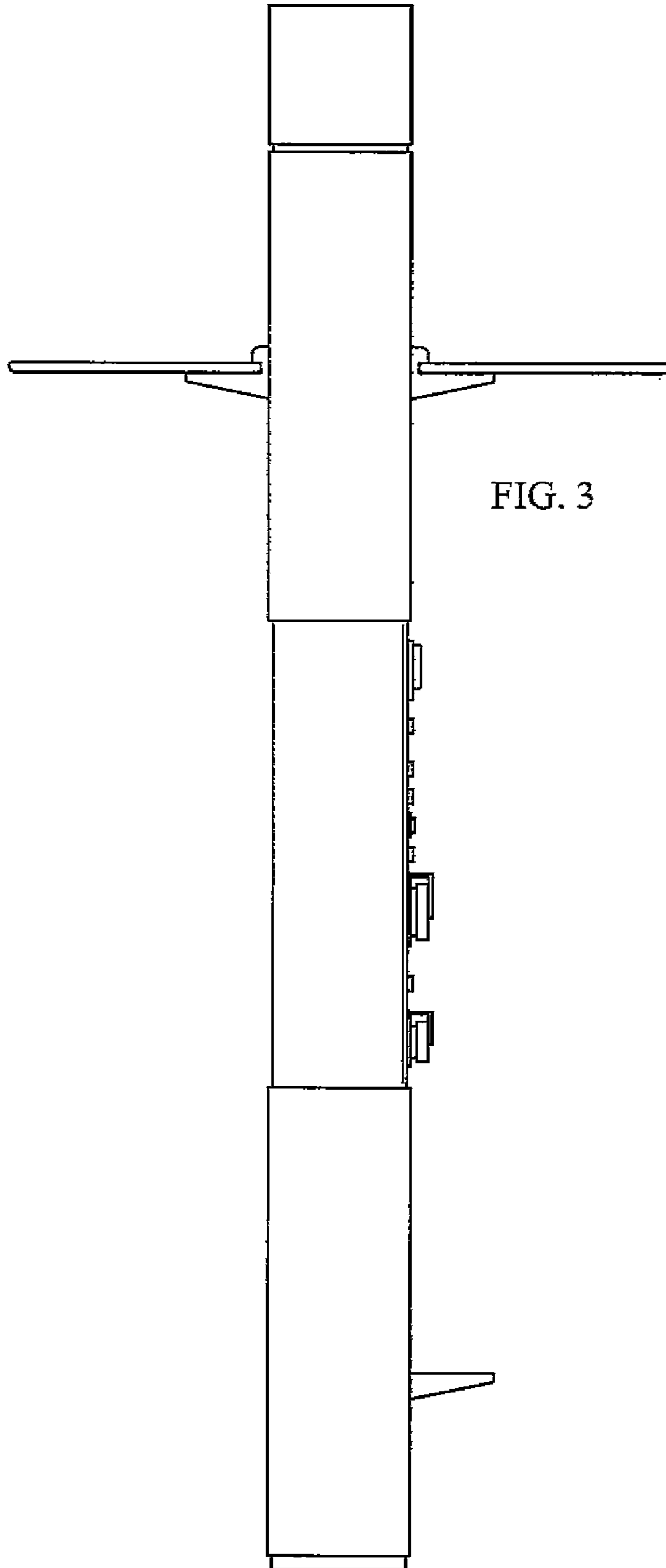


FIG. 3

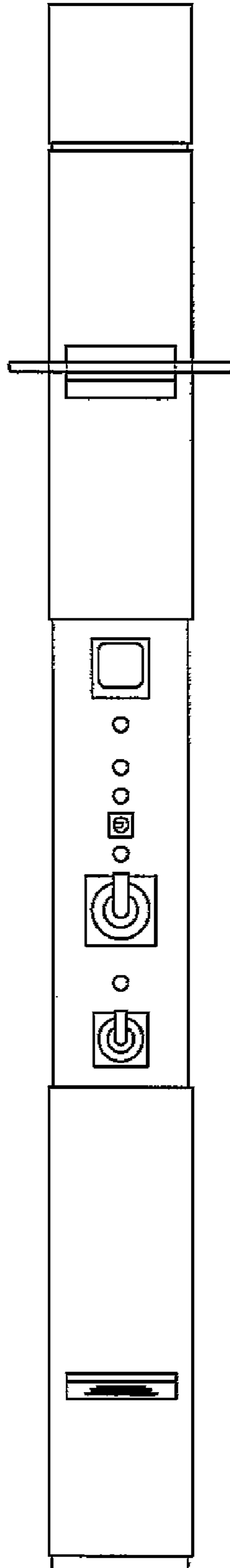


FIG. 4

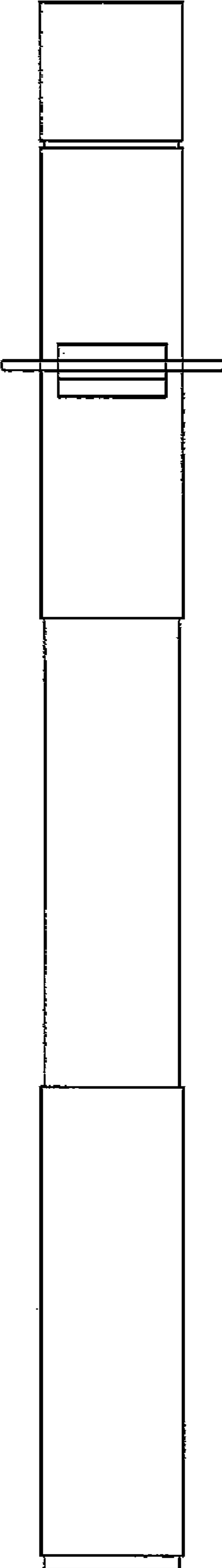


FIG. 5

FIG. 6

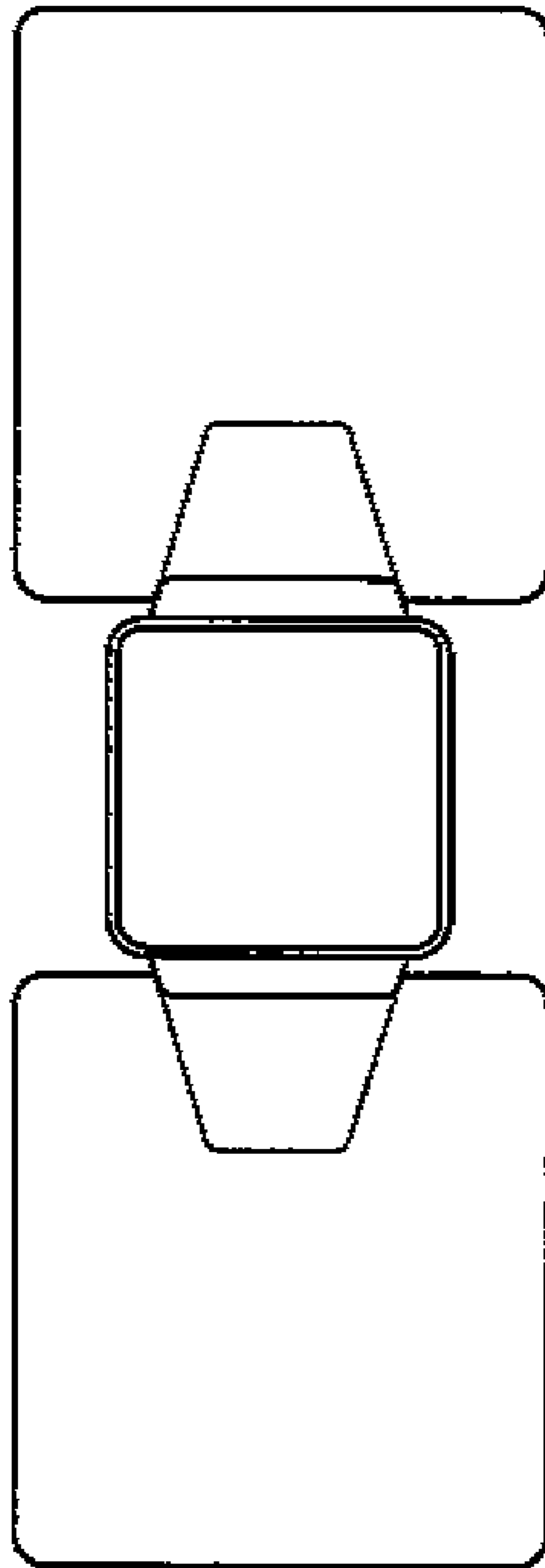


FIG. 7

