



US00D659089S

(12) **United States Design Patent**  
**Dong**

(10) **Patent No.:** **US D659,089 S**

(45) **Date of Patent:** **\*\* May 8, 2012**

(54) **USB BATTERY CHARGER**

(75) Inventor: **Hong Dong**, City of Industry, CA (US)

(73) Assignee: **Valor Communication, Inc.**, City of Industry, CA (US)

(\*\*) Term: **14 Years**

(21) Appl. No.: **29/312,645**

(22) Filed: **Nov. 4, 2008**

(51) **LOC (9) Cl.** ..... **13-02**

(52) **U.S. Cl.** ..... **D13/107**

(58) **Field of Classification Search** ..... D13/107-110,  
D13/118-119, 184, 199; D14/251, 253,  
D14/432, 434; 320/107-115

See application file for complete search history.

(56) **References Cited**

**U.S. PATENT DOCUMENTS**

D331,220	S	*	11/1992	Tsuchiya	.....	D13/107
D339,563	S	*	9/1993	Usami	.....	D13/107
D411,823	S	*	7/1999	Jacobs et al.	.....	D13/107
D412,487	S	*	8/1999	Nagele et al.	.....	D13/108
D442,544	S	*	5/2001	Ku	.....	D13/107
D443,856	S	*	6/2001	Lehtovaara	.....	D13/107
D454,837	S	*	3/2002	Ibuki et al.	.....	D13/107
D519,447	S	*	4/2006	Lie	.....	D13/107
D523,394	S	*	6/2006	Lie	.....	D13/107
D546,281	S	*	7/2007	Bell	.....	D13/107
D562,231	S	*	2/2008	Osiecki et al.	.....	D13/107
D565,506	S	*	4/2008	Sacco et al.	.....	D13/107
D572,655	S	*	7/2008	Osiecki et al.	.....	D13/107

\* cited by examiner

*Primary Examiner* — Rosemary K Tarcza

(74) *Attorney, Agent, or Firm* — Thomas I. Rozsa

(57) **CLAIM**

The ornamental design for a USB battery charger, as shown and described.

**DESCRIPTION**

FIG. 1 is a front perspective view of a USB battery charger, showing my design, with the USB battery charger in the closed condition;

FIG. 2 is a front elevational view thereof, with the USB battery charger in the closed condition;

FIG. 3 is a rear elevational view thereof, with the USB battery charger in the closed condition;

FIG. 4 is a left side elevational view thereof, with the USB battery charger in the closed condition;

FIG. 5 is a right side elevational view thereof, with the USB battery charger in the closed condition;

FIG. 6 is a top plan view thereof;

FIG. 7 is a bottom plan view thereof;

FIG. 8 is front perspective view thereof, with the USB battery charger in the opened condition;

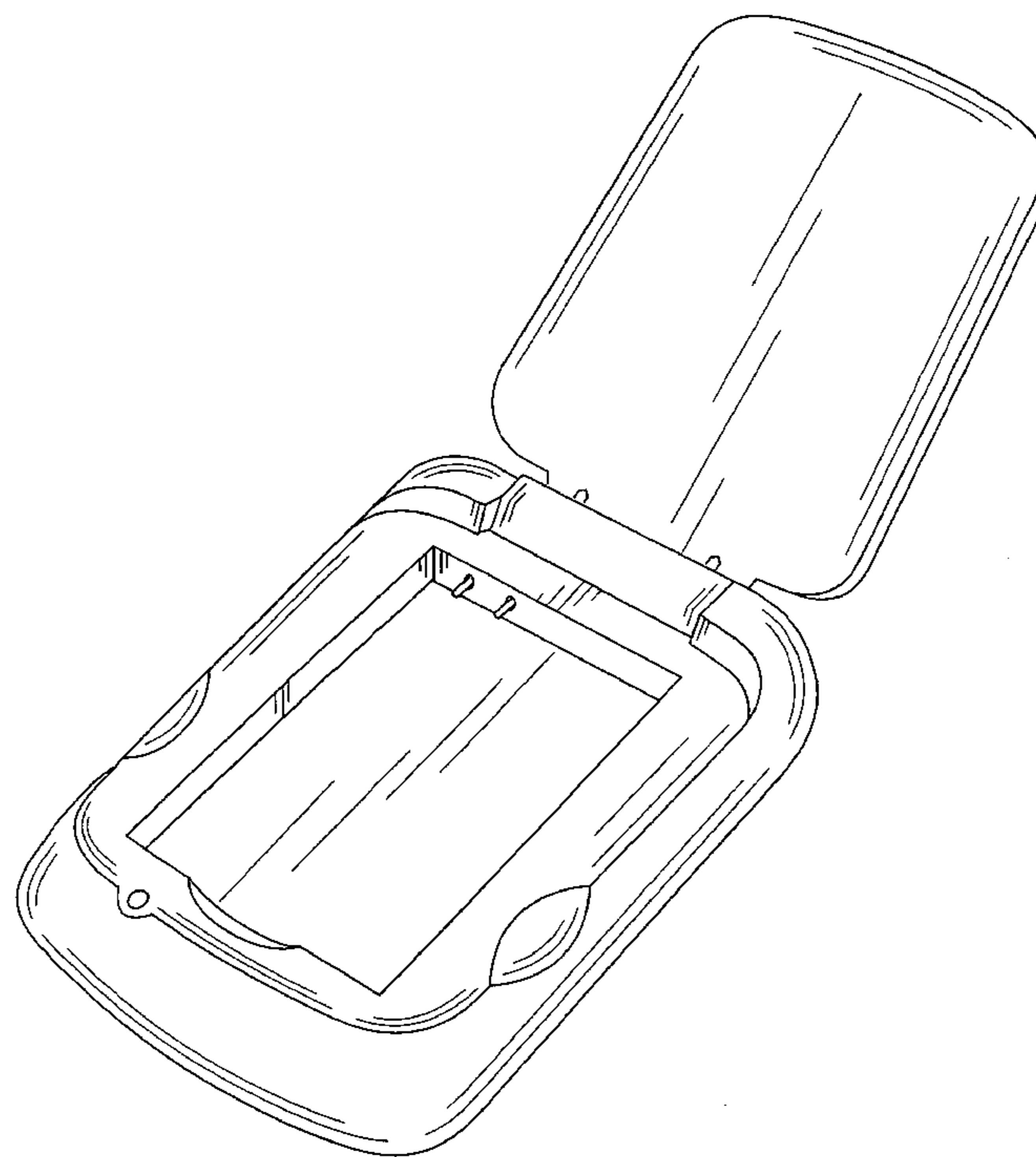
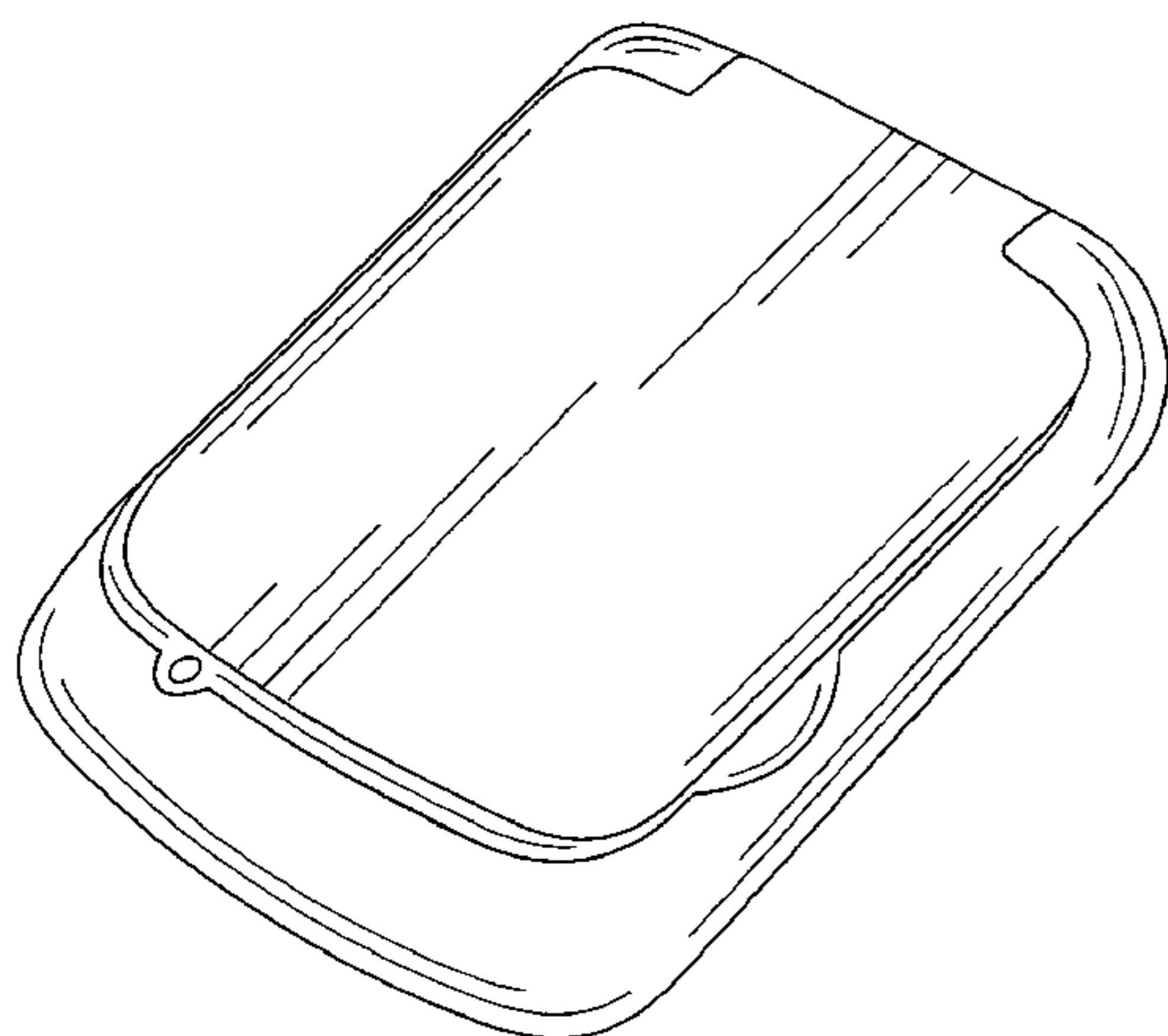
FIG. 9 is a front elevational view thereof, with the USB battery charger in the opened condition;

FIG. 10 is a rear elevational view thereof, with the prongs of the USB battery charger in the opened condition;

FIG. 11 is a left side elevational view thereof, with the USB battery charger in the opened condition; and,

FIG. 12 is a right side elevational view thereof, with the USB battery charger in the opened condition.

**1 Claim, 11 Drawing Sheets**



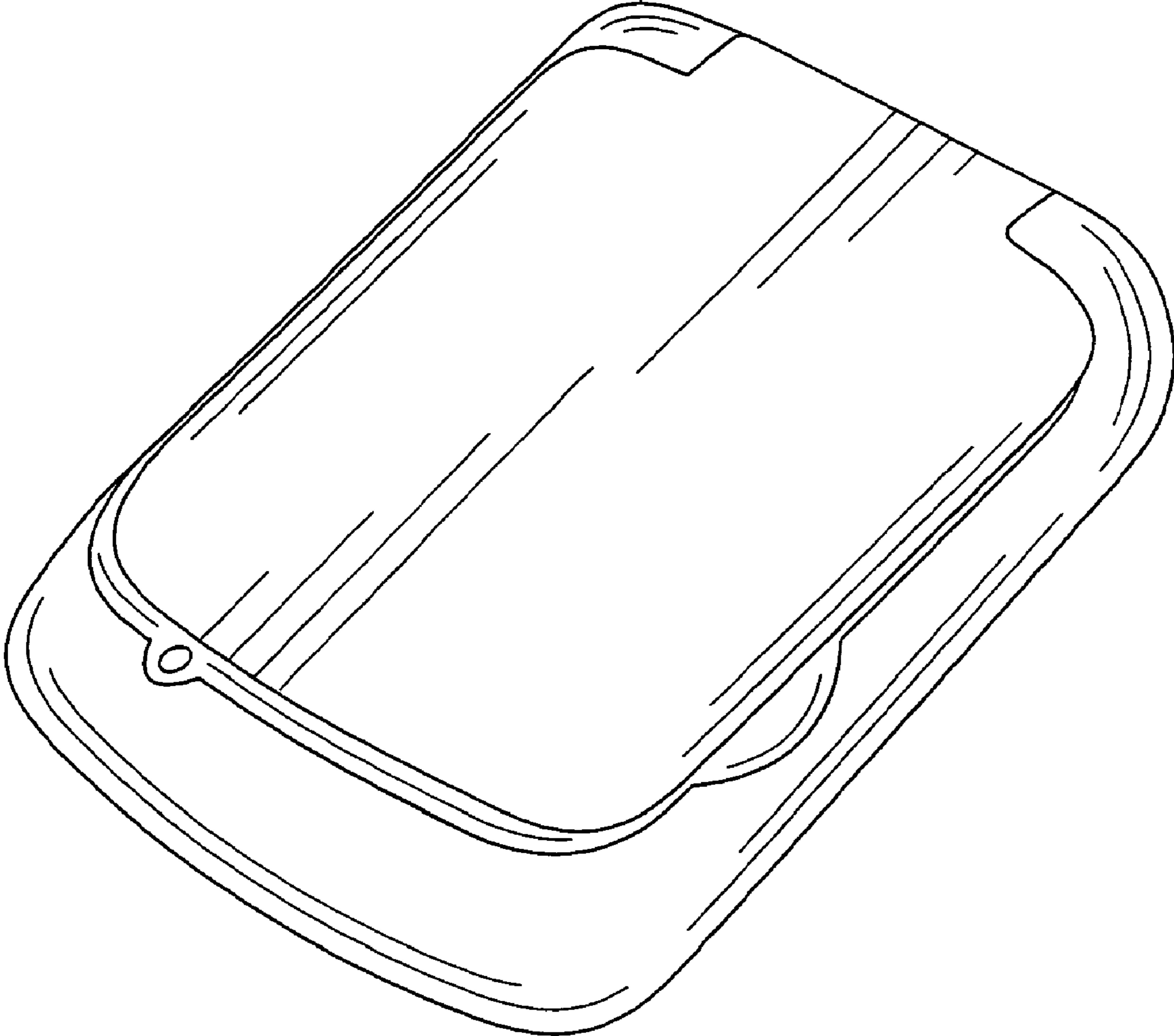


FIG. 1

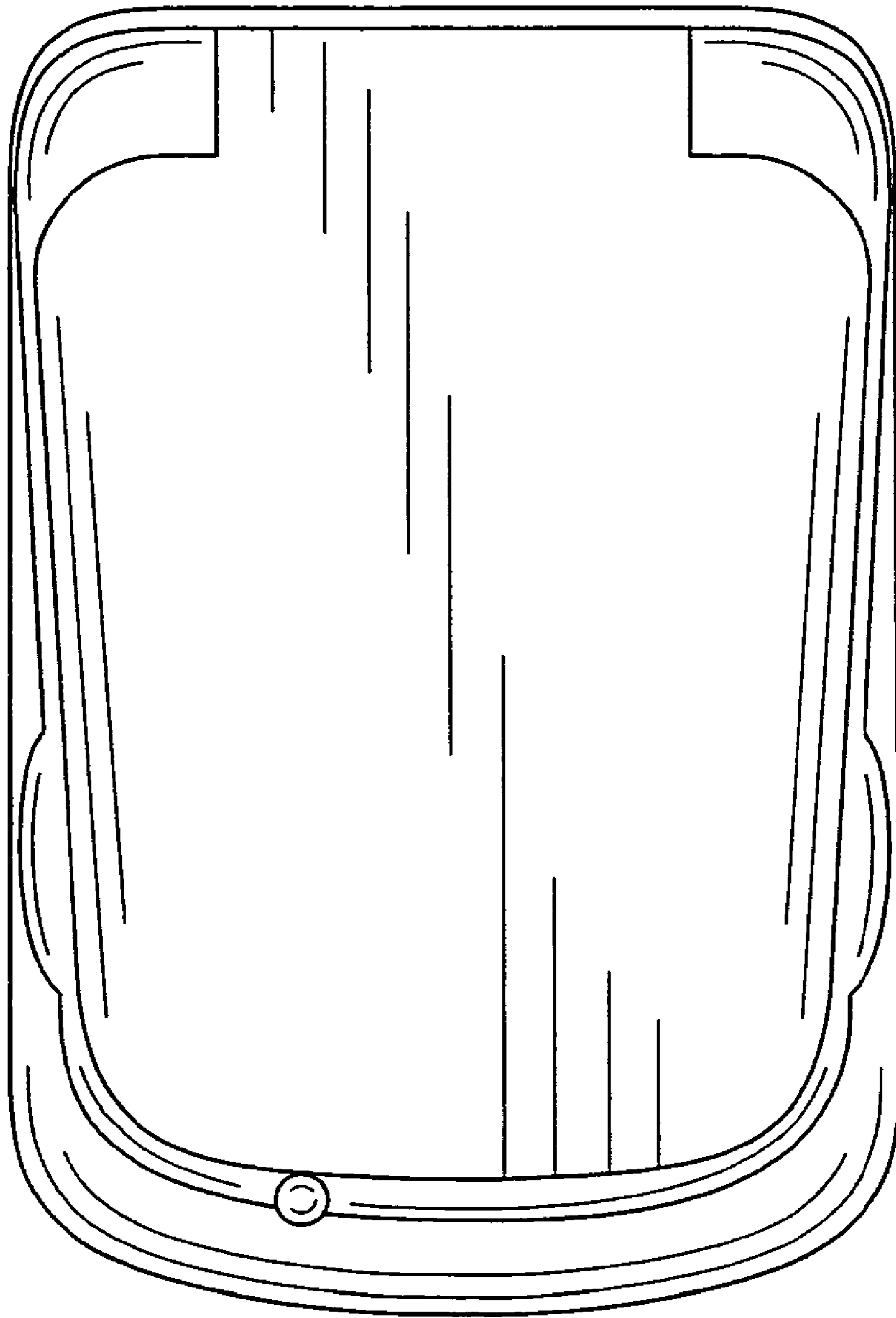


FIG. 2

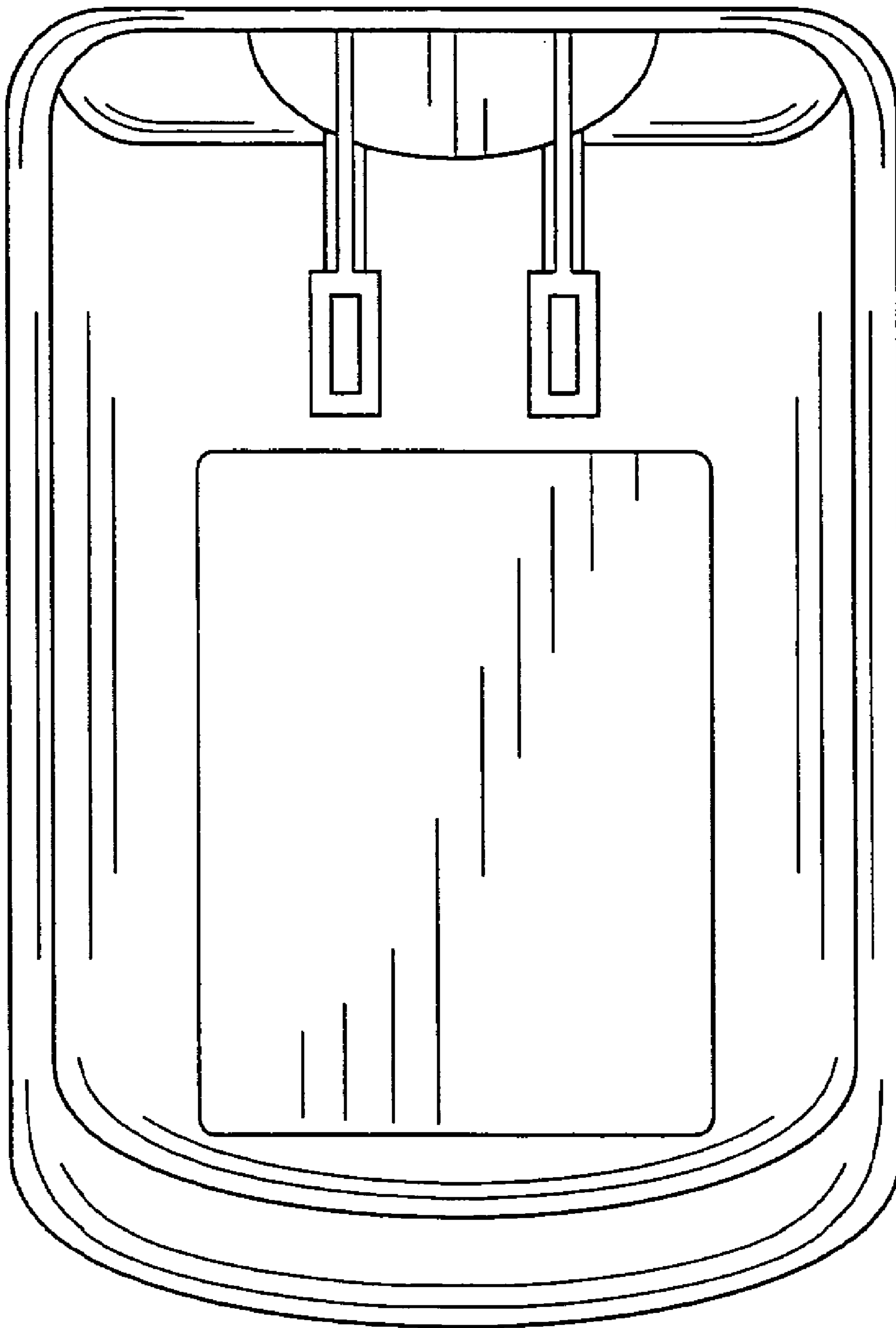


FIG. 3

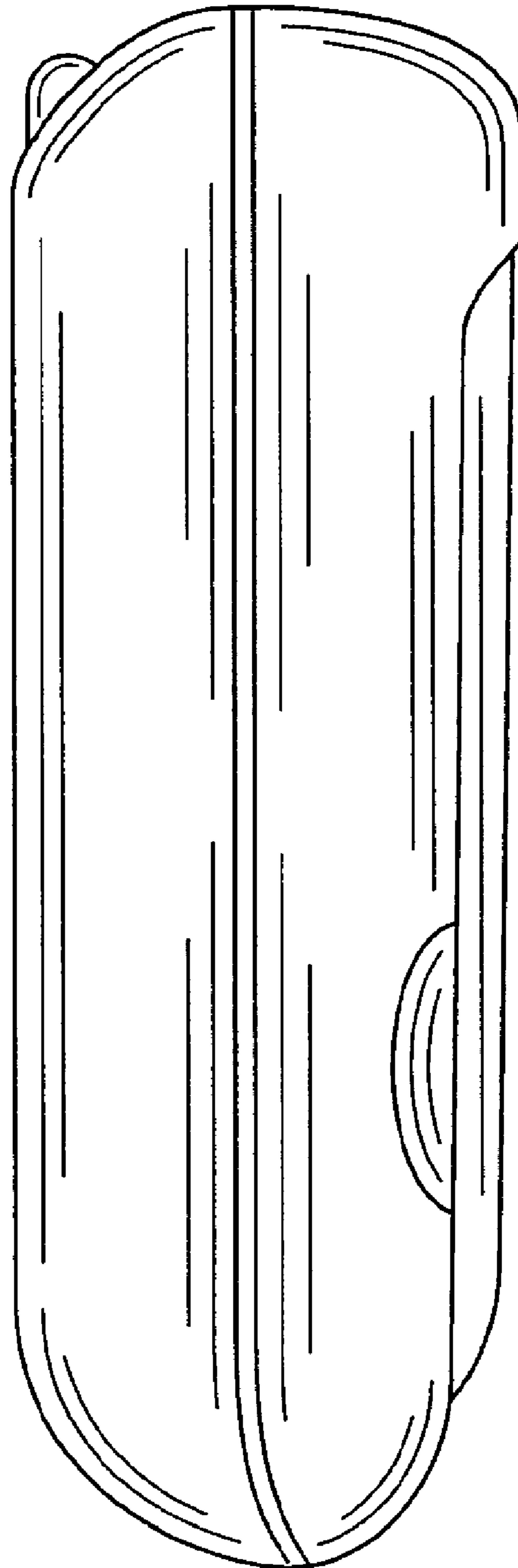


FIG. 4

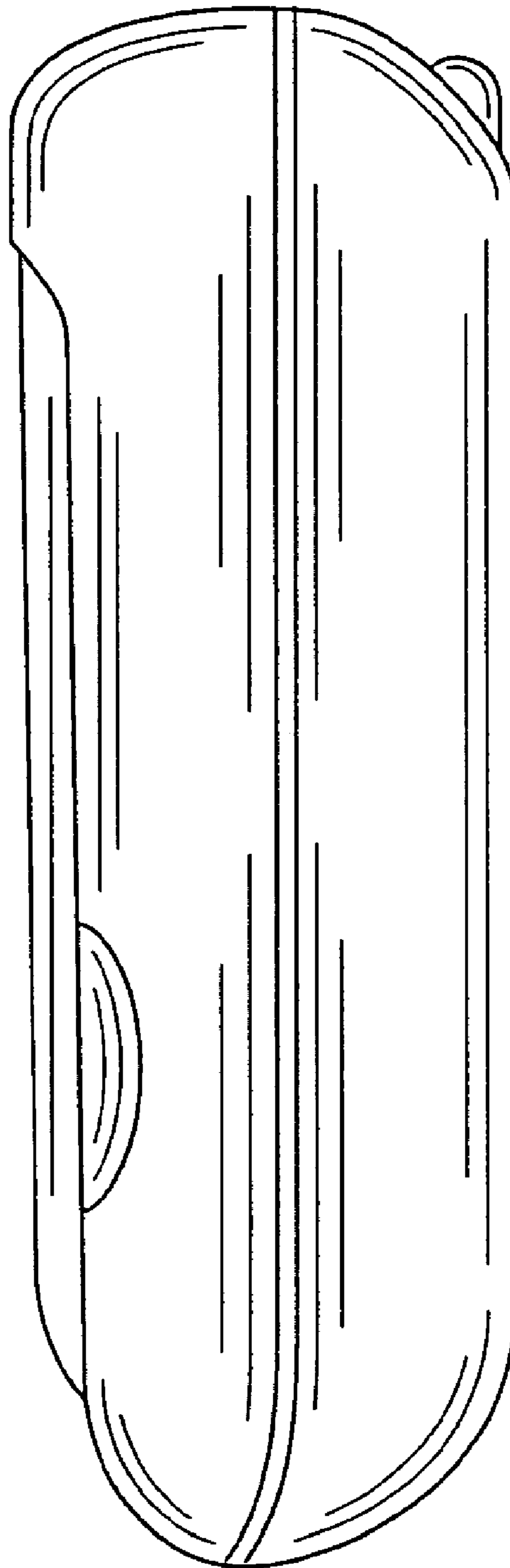


FIG. 5

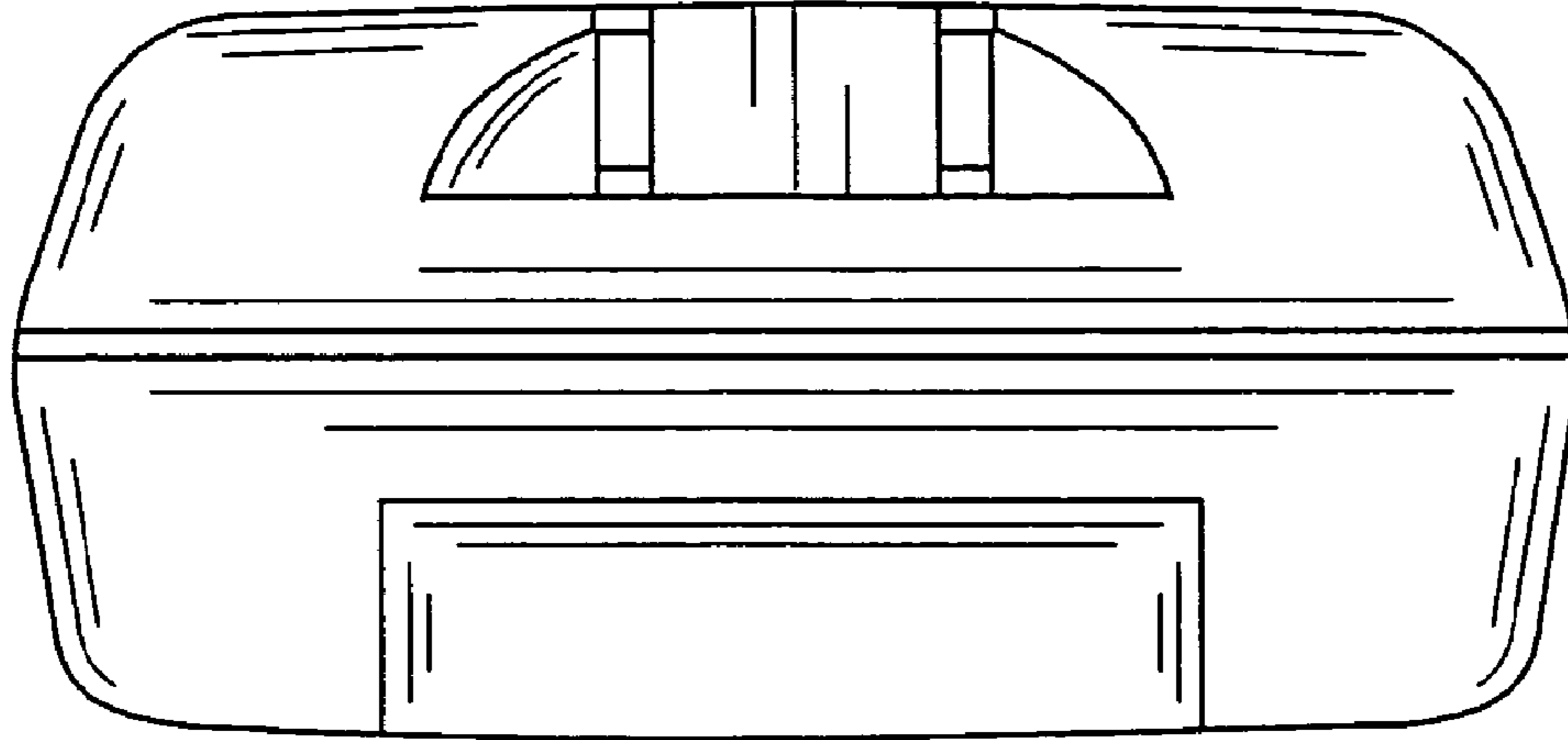


FIG. 6

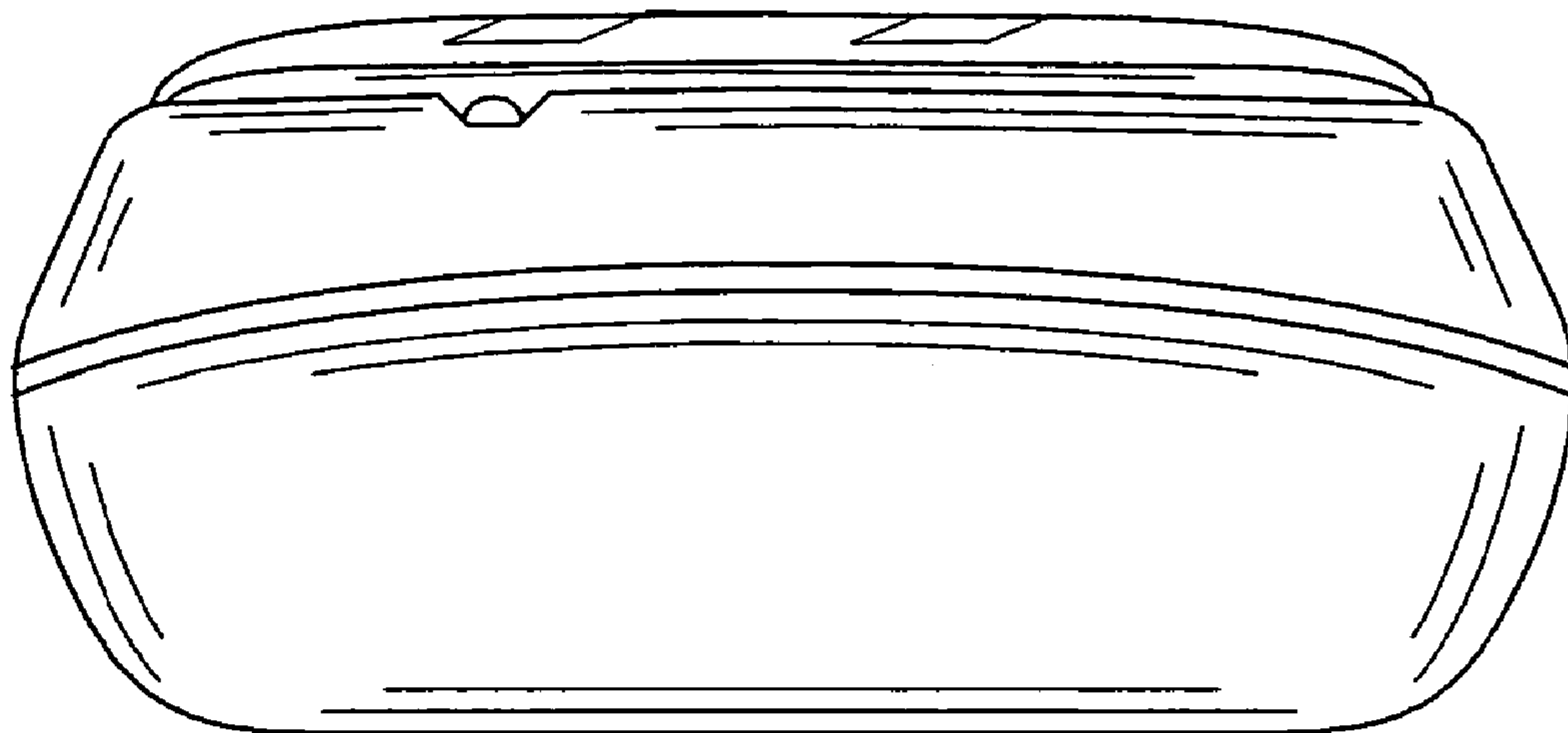


FIG. 7

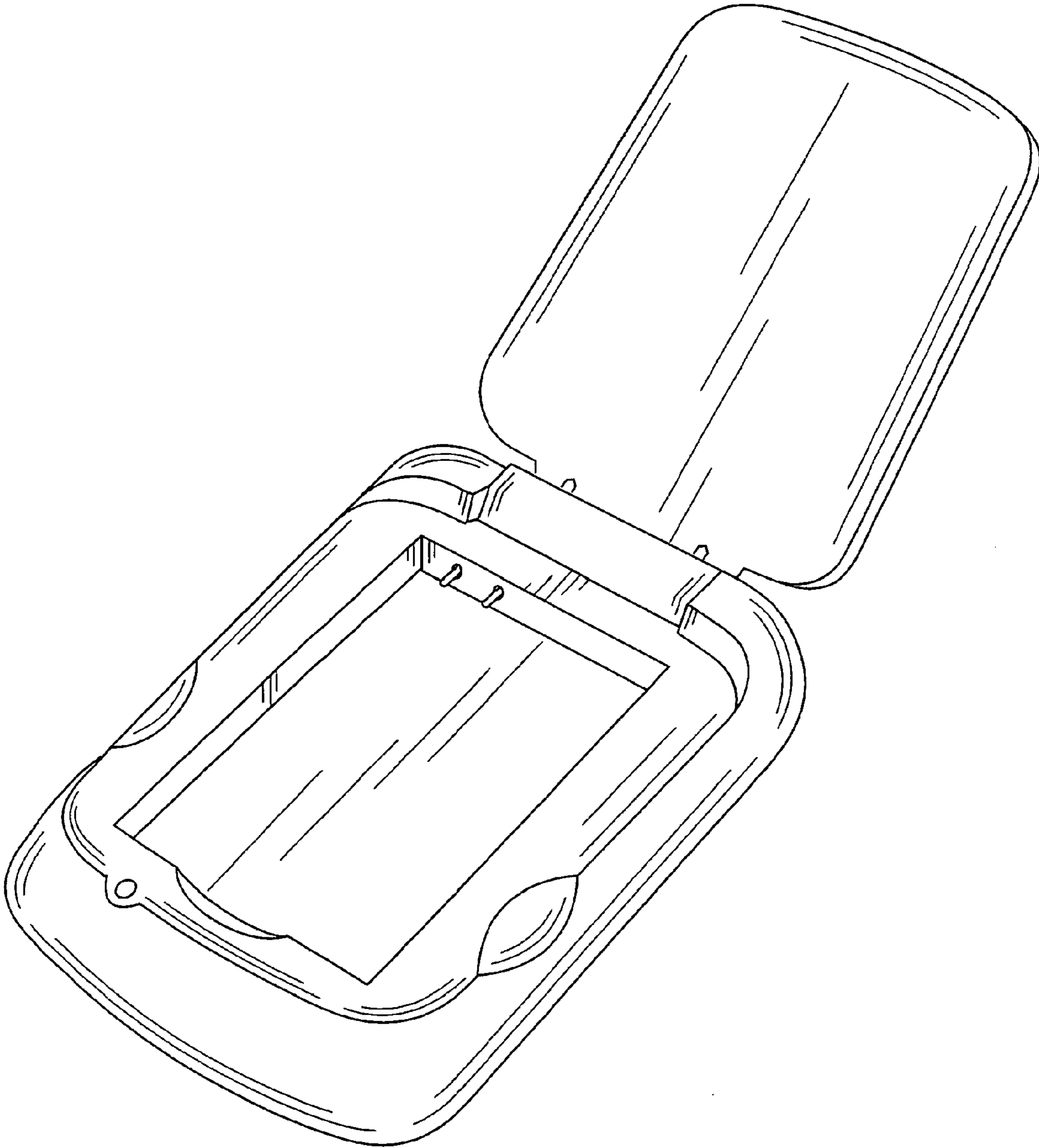


FIG. 8



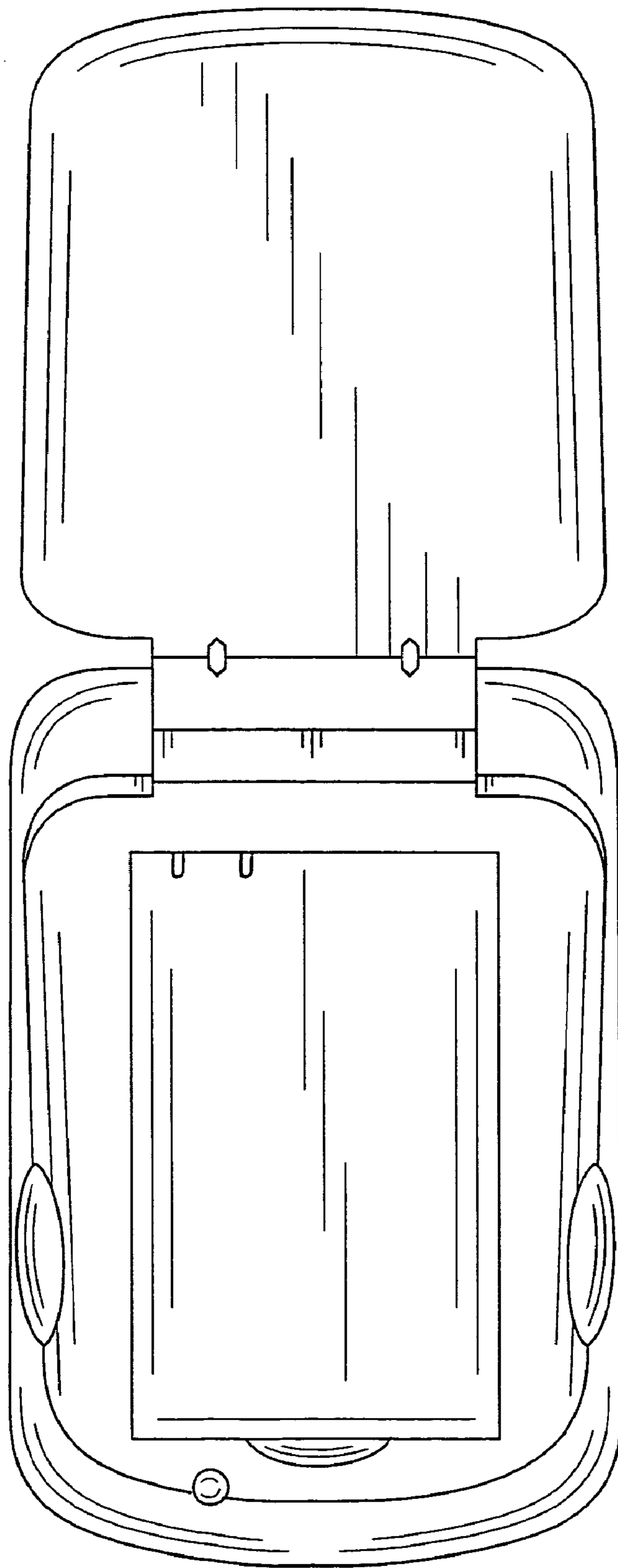


FIG. 9

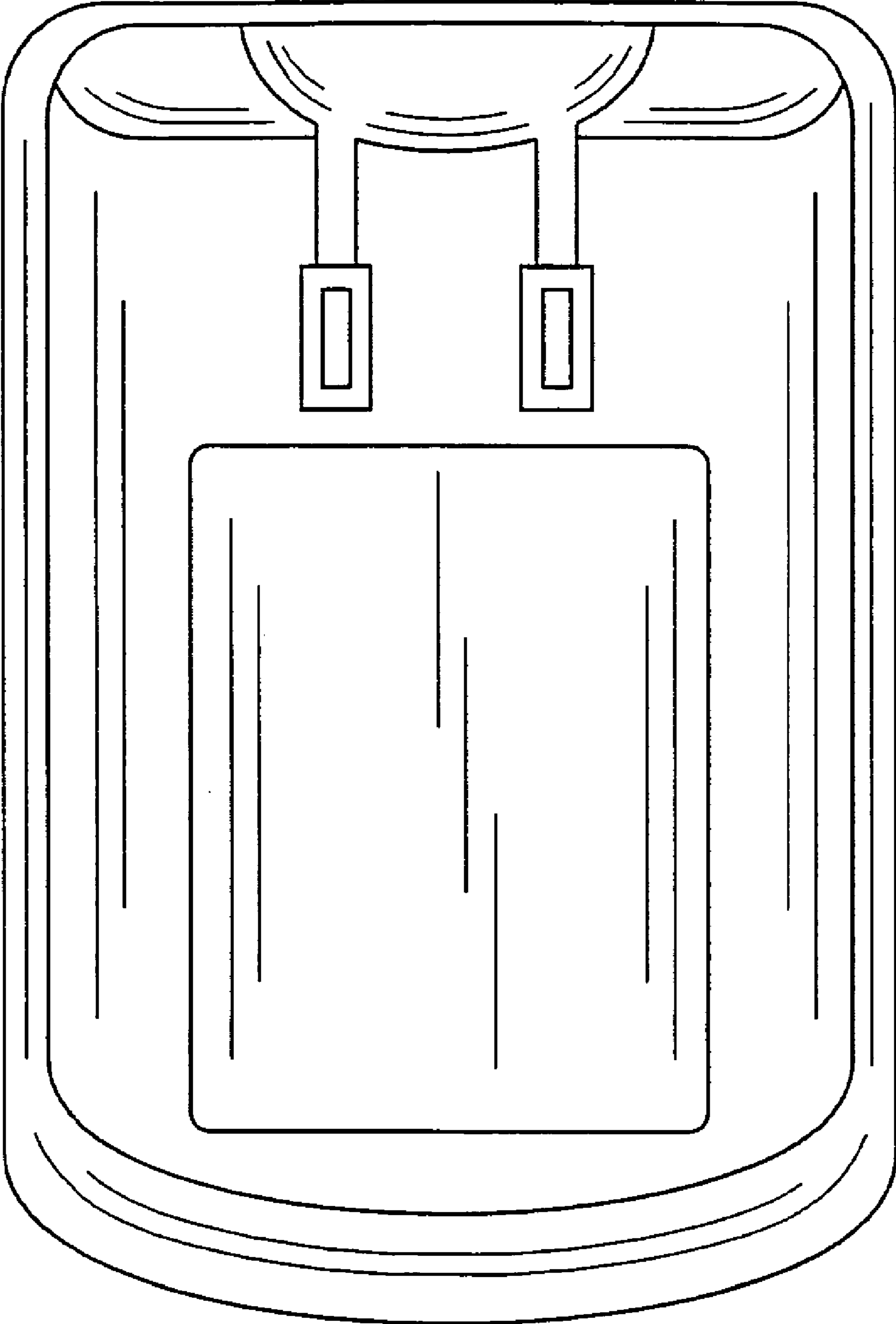


FIG. 10

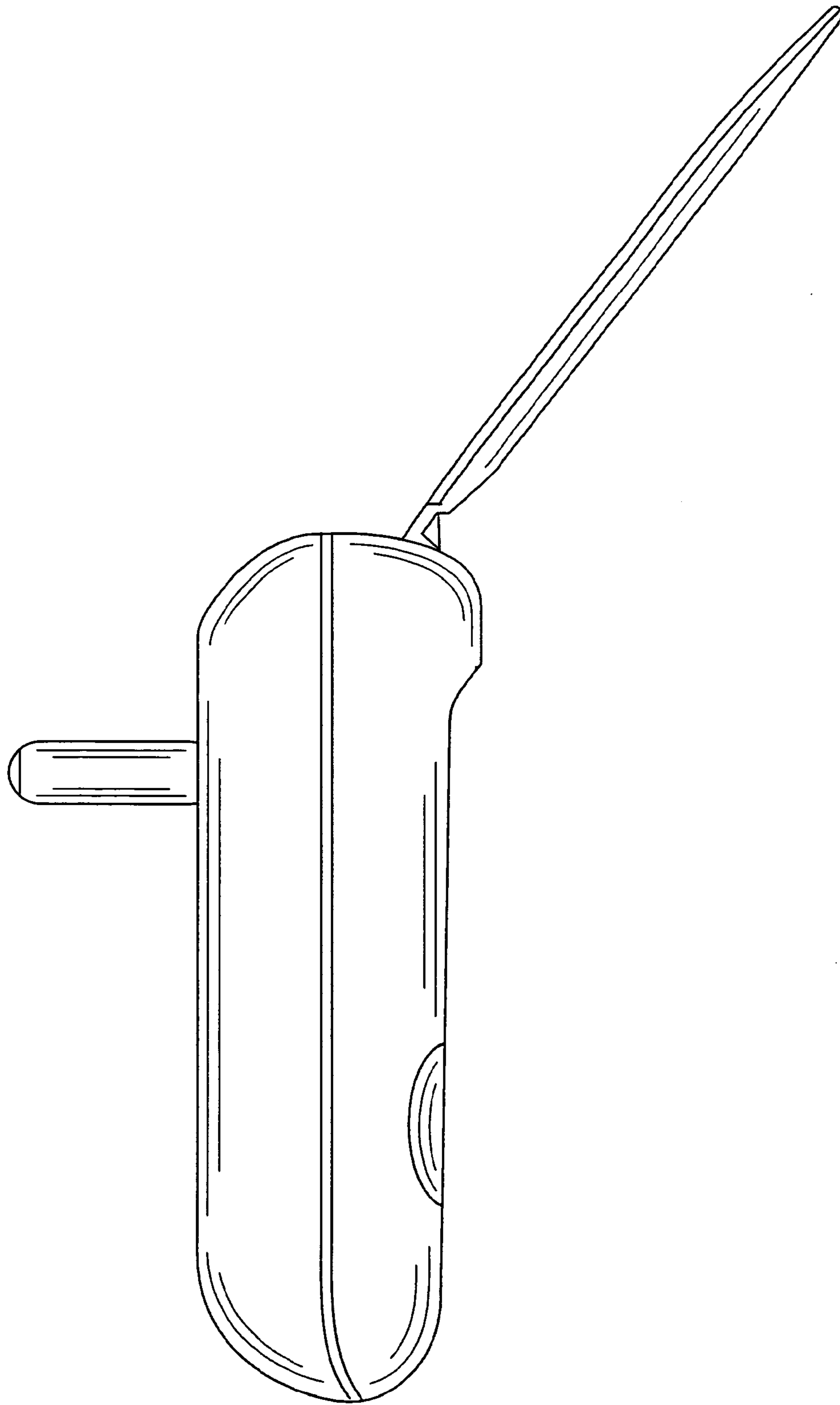


FIG. 11

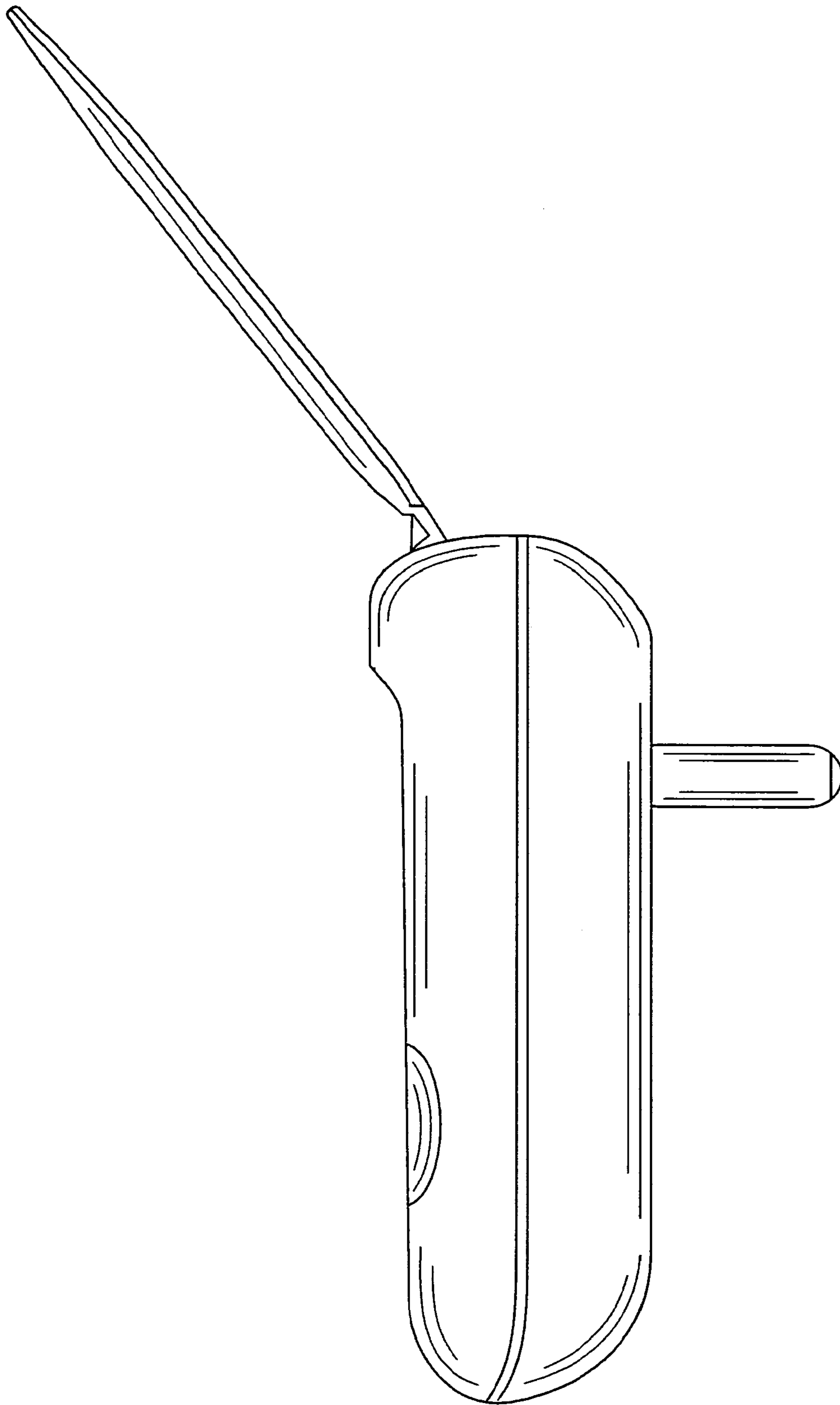


FIG. 12