



US00D659088S

(12) **United States Design Patent**
Steinberg

(10) **Patent No.:** **US D659,088 S**

(45) **Date of Patent:** **** May 8, 2012**

(54) **BATTERY**

(75) **Inventor:** **Claus Steinberg**, Unterhaching (DE)

(73) **Assignee:** **Torqueedo GmbH**, Starnberg (DE)

(**) **Term:** **14 Years**

(21) **Appl. No.:** **29/397,414**

(22) **Filed:** **Jul. 15, 2011**

(51) **LOC (9) Cl.** **13-02**

(52) **U.S. Cl.** **D13/106**

(58) **Field of Classification Search** D13/102–106,
D13/110, 118–119, 184; 429/96–100, 149,
429/163, 176, 187

See application file for complete search history.

(56) **References Cited**

U.S. PATENT DOCUMENTS

| | | | | |
|--------------|---------|-------------------|-------|---------|
| D183,777 S * | 10/1958 | Weiss | | D3/280 |
| D276,495 S * | 11/1984 | Sylvia | | D15/144 |
| D289,995 S * | 5/1987 | Armiger | | D15/144 |
| D469,401 S * | 1/2003 | Griffey et al. | | D13/110 |
| D517,987 S * | 3/2006 | Castagnola et al. | | D13/119 |
| D559,175 S * | 1/2008 | Houghton | | D13/103 |
| D579,870 S * | 11/2008 | Dunbar et al. | | D13/116 |
| D592,134 S * | 5/2009 | Brockington | | D13/119 |
| D603,789 S * | 11/2009 | Hallee et al. | | D13/103 |

| | | | | |
|--------------|--------|-------------------|-------|---------|
| D620,886 S * | 8/2010 | Flattinger et al. | | D13/116 |
| D635,508 S * | 4/2011 | Seyama et al. | | D13/104 |
| D638,787 S * | 5/2011 | Tanaka et al. | | D13/103 |
| D640,629 S * | 6/2011 | Levitt | | D13/103 |

FOREIGN PATENT DOCUMENTS

EM 001801069-0001 3/2011

* cited by examiner

Primary Examiner — Rosemary K Tarca

(74) *Attorney, Agent, or Firm* — Crowell & Moring LLP

(57) **CLAIM**

The ornamental design for a battery, as shown and described.

DESCRIPTION

FIG. 1 is a left, front perspective view of a battery according to my design;

FIG. 2 is a left, rear perspective view thereof;

FIG. 3 is a right, front perspective view thereof;

FIG. 4 is a right, rear perspective view thereof;

FIG. 5 is a top view thereof;

FIG. 6 is a bottom view thereof;

FIG. 7 is a rear view thereof;

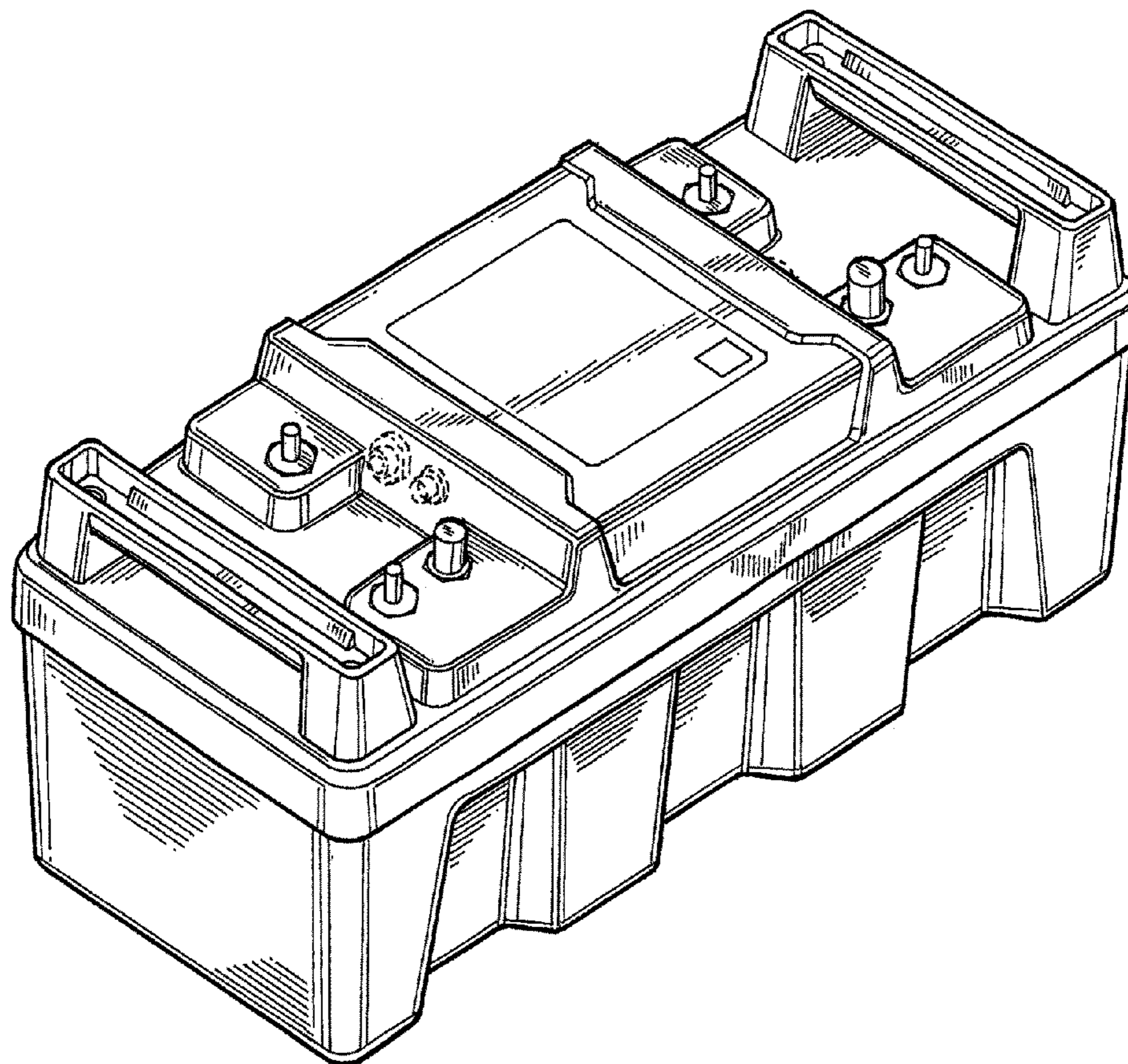
FIG. 8 is a front view thereof;

FIG. 9 is a left side view thereof; and,

FIG. 10 is a right side view thereof.

The broken lines are for illustrative purposes only and form no part of the claimed design.

1 Claim, 7 Drawing Sheets



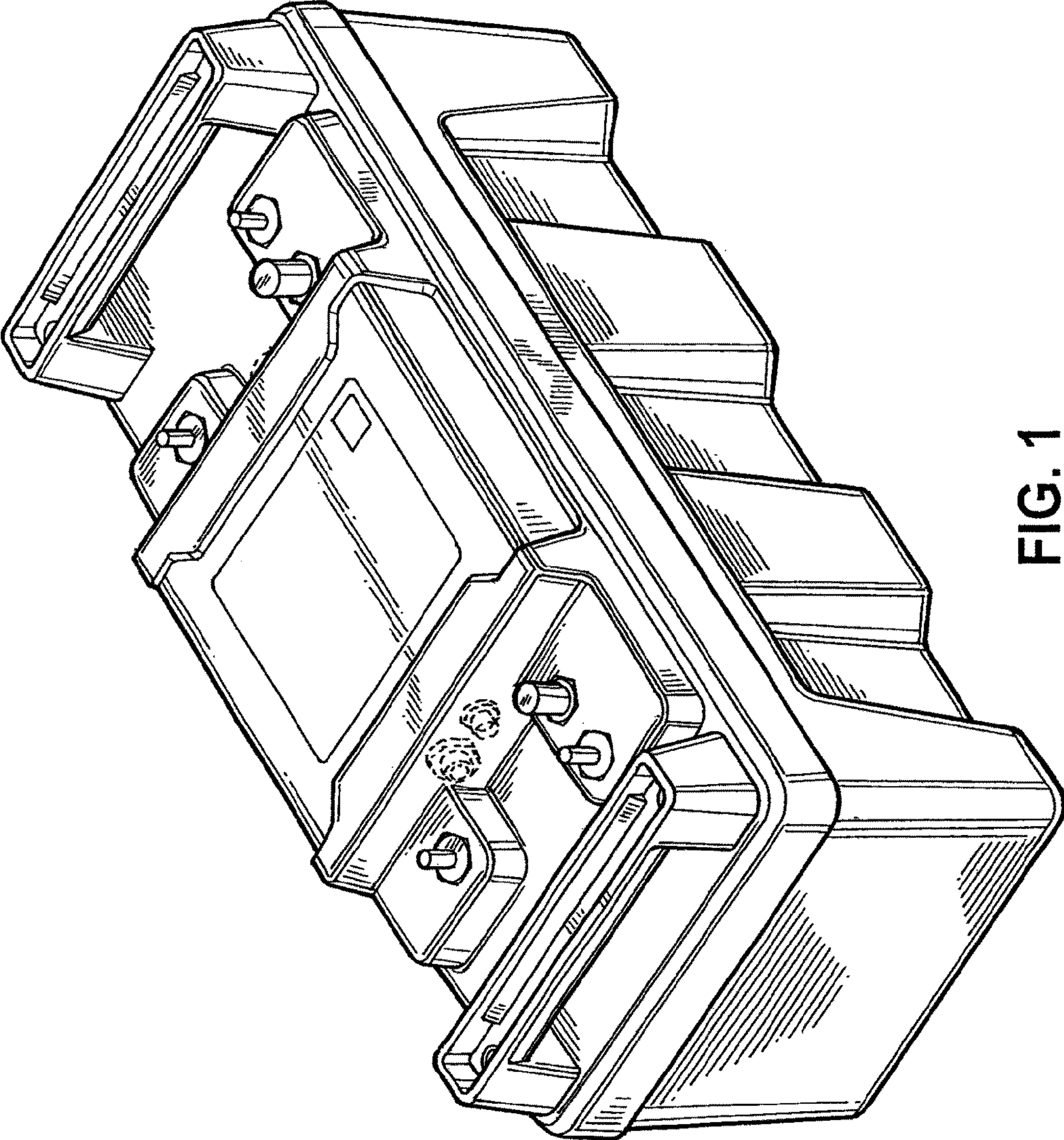


FIG. 1

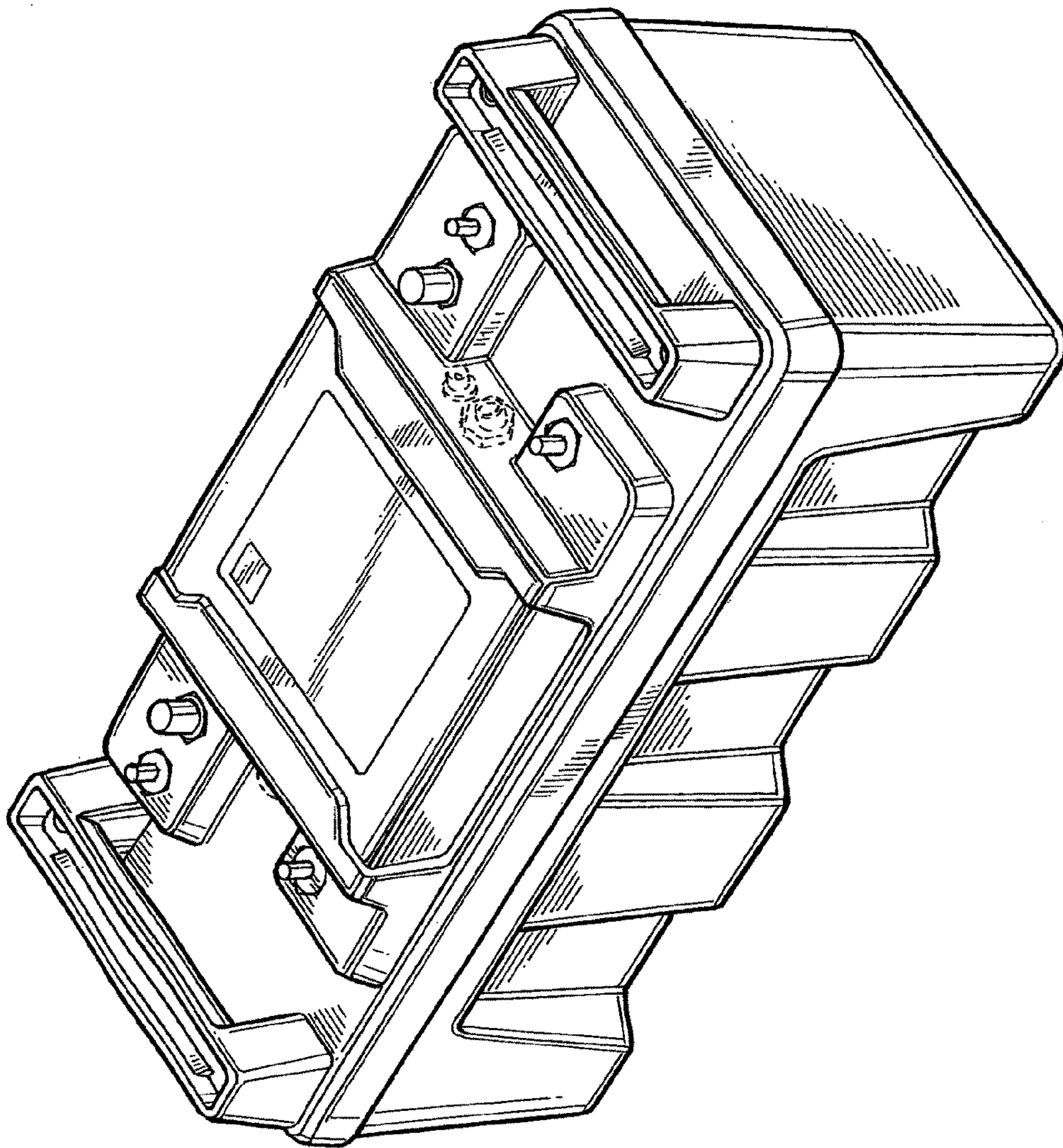


FIG. 2

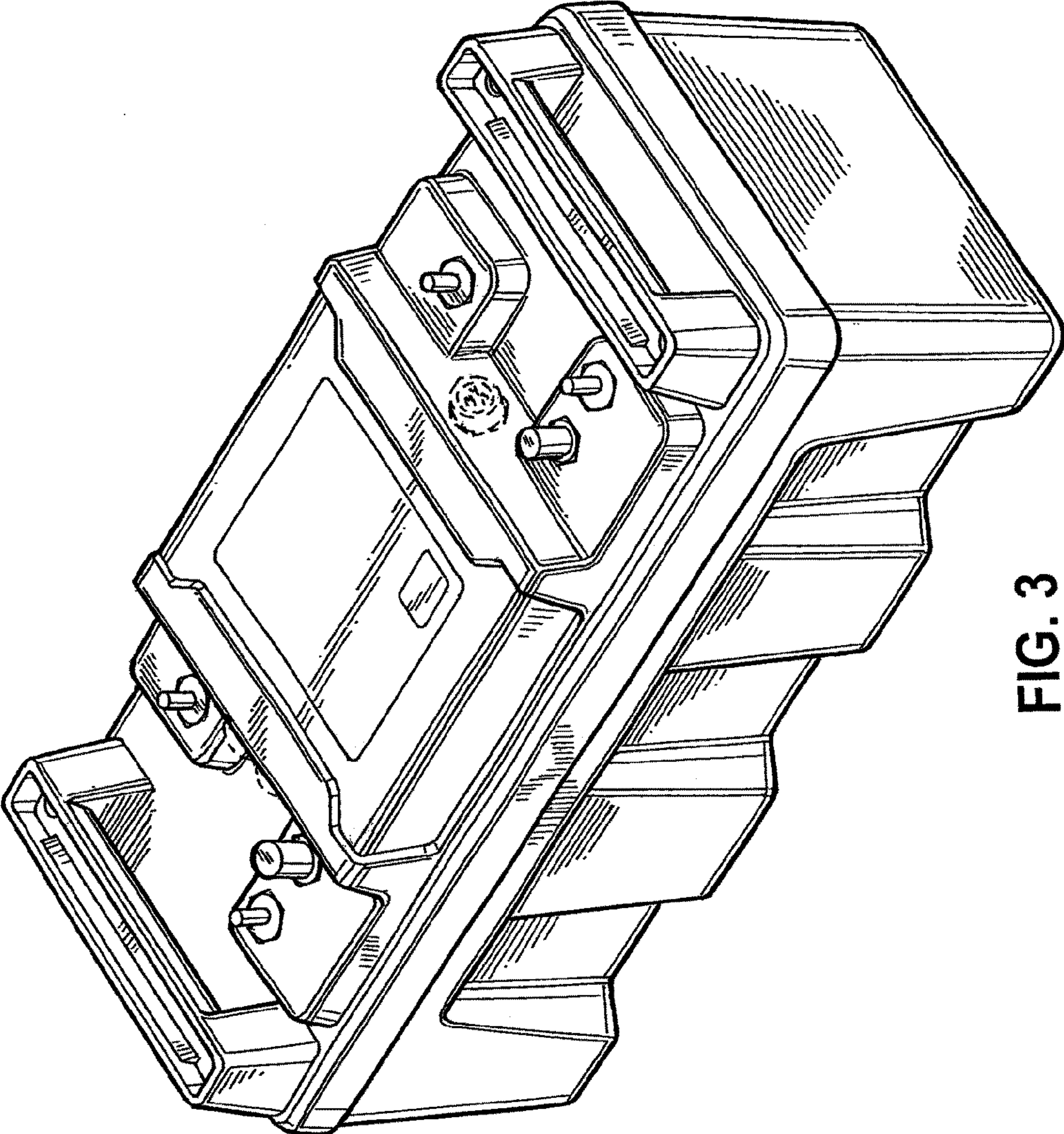


FIG. 3

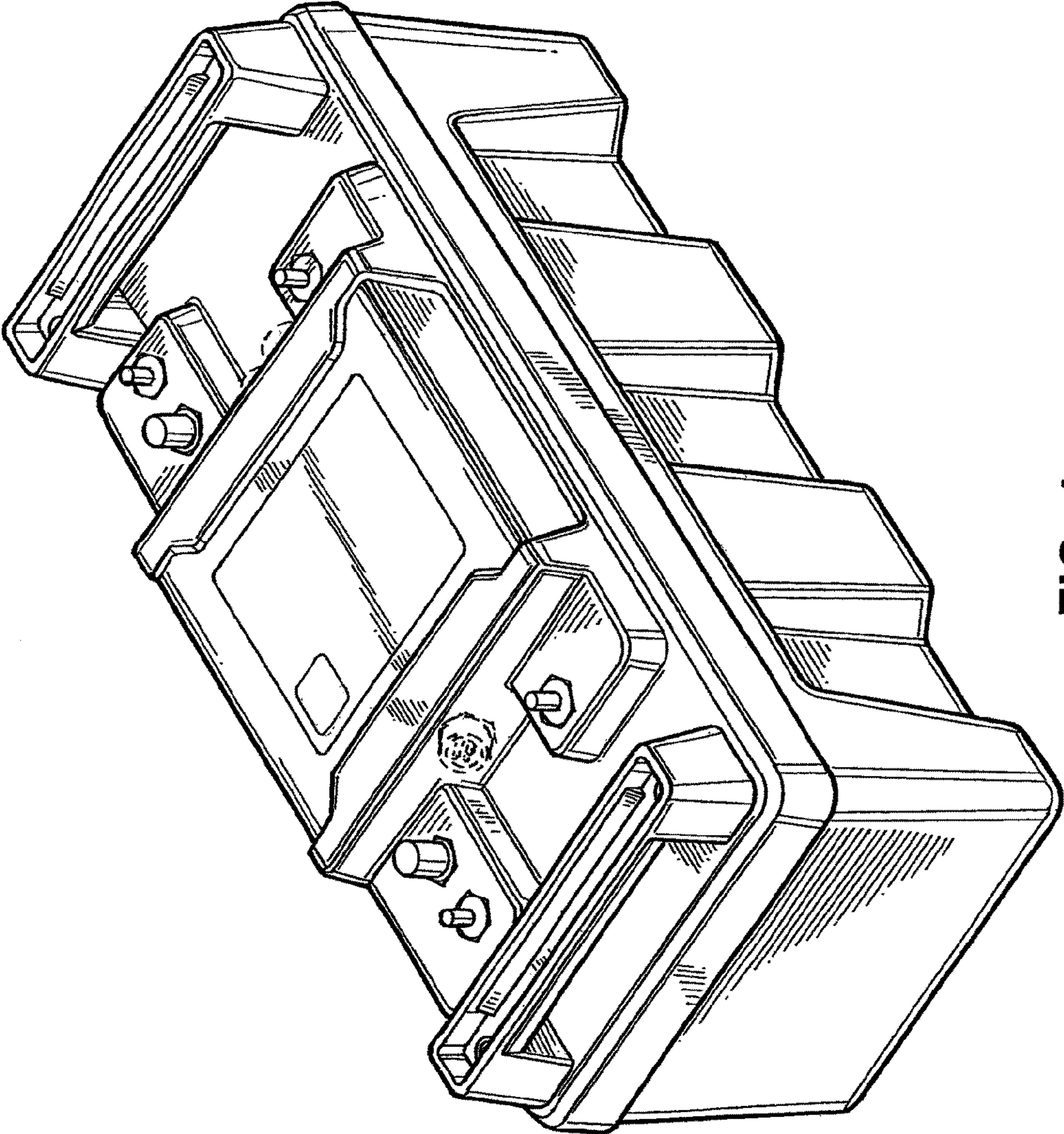


FIG. 4

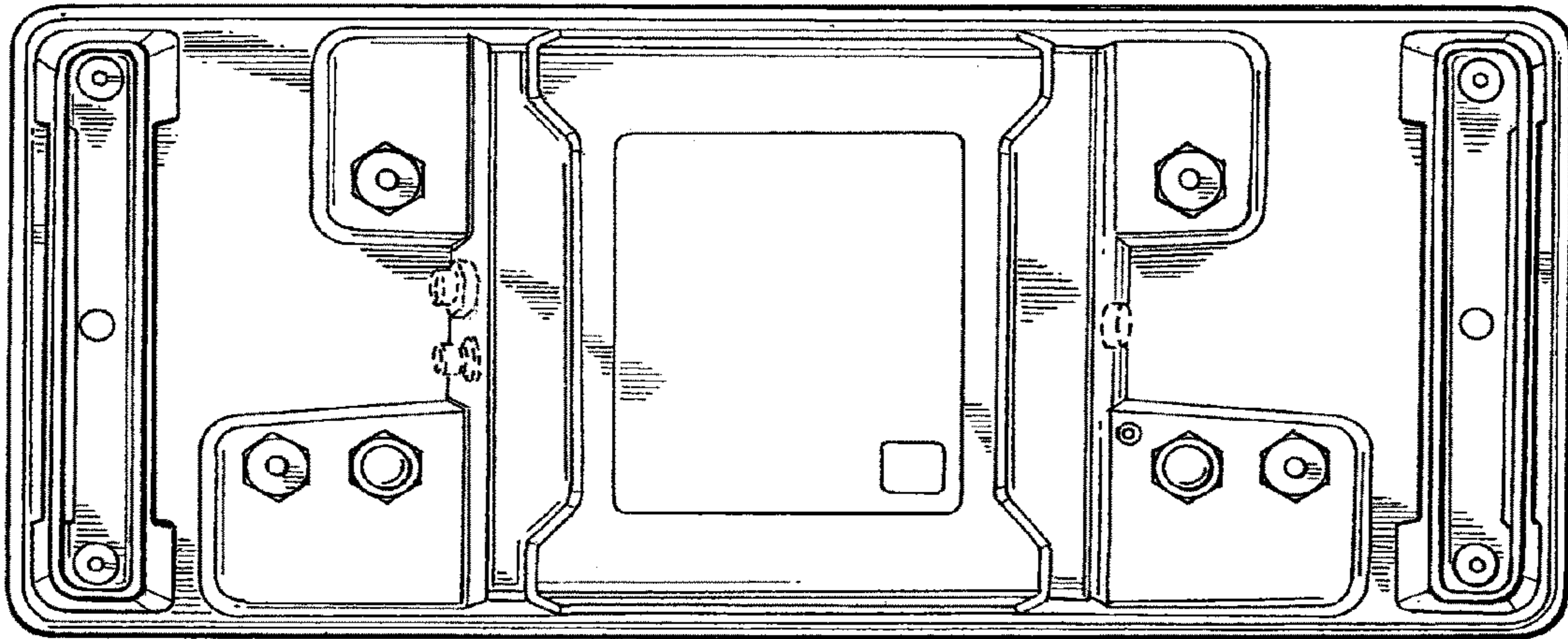


FIG. 5

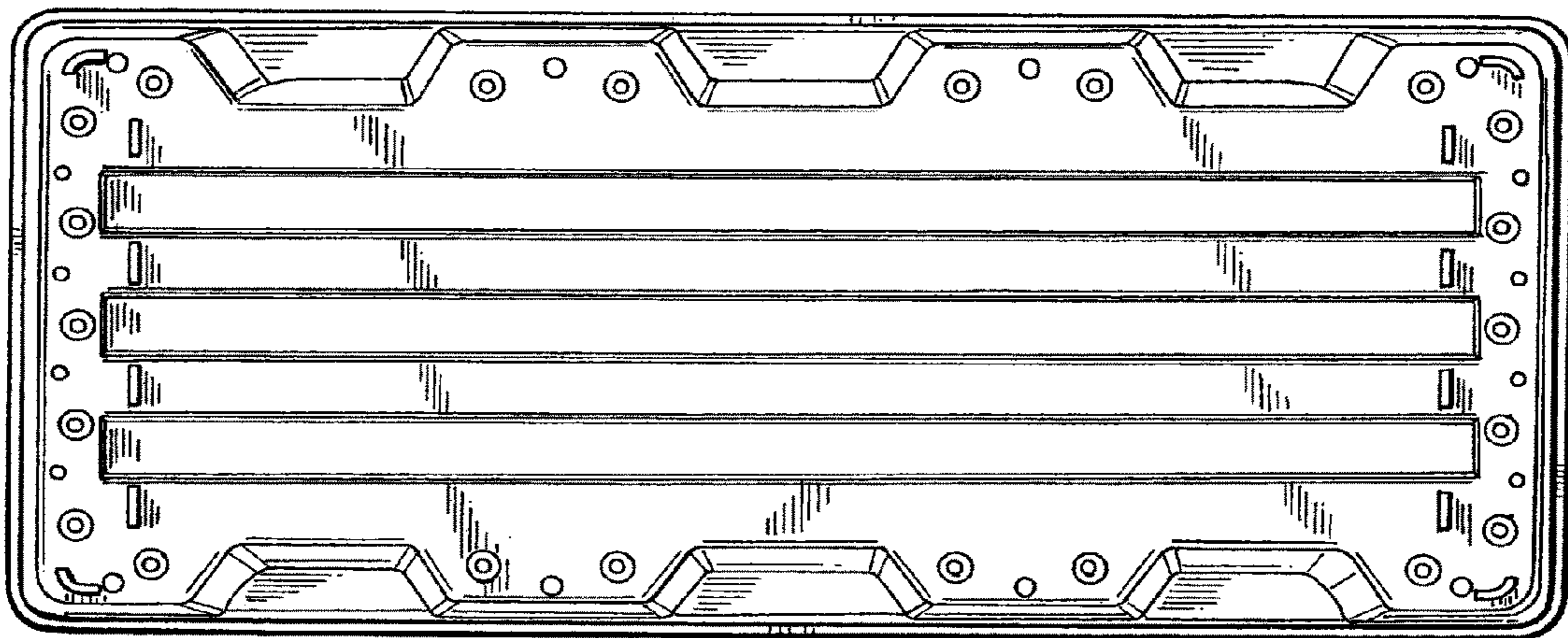


FIG. 6

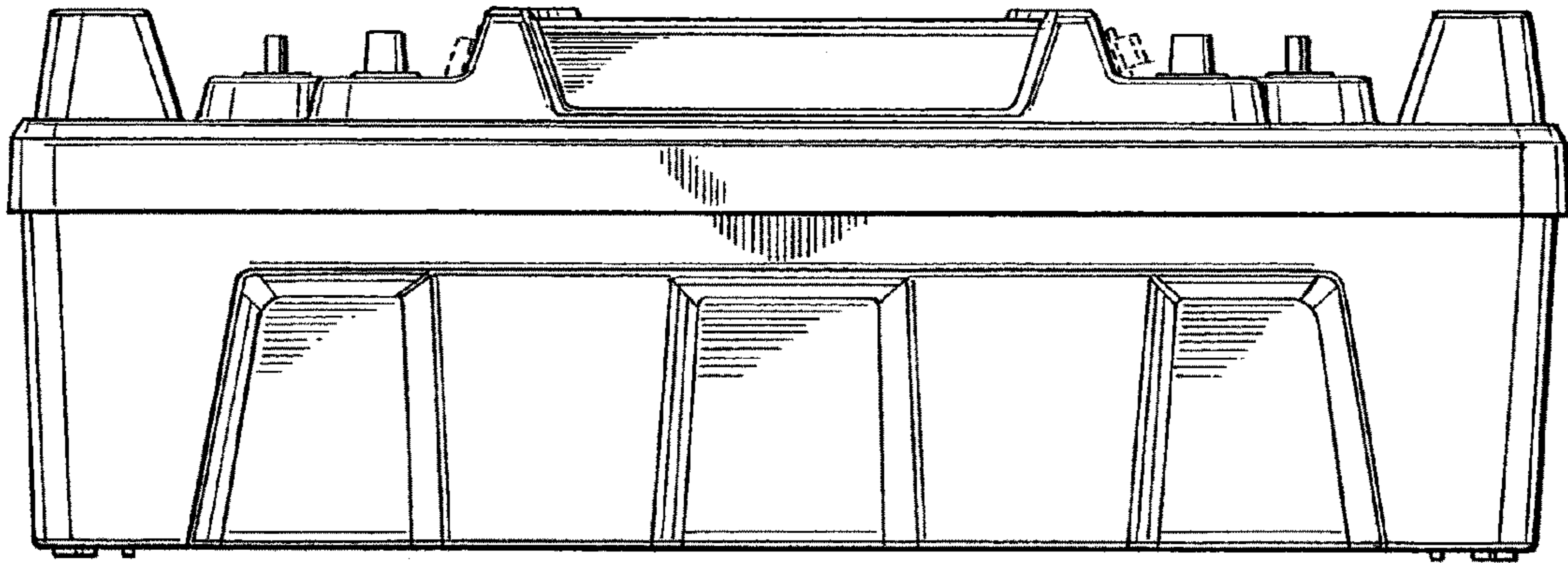


FIG. 7

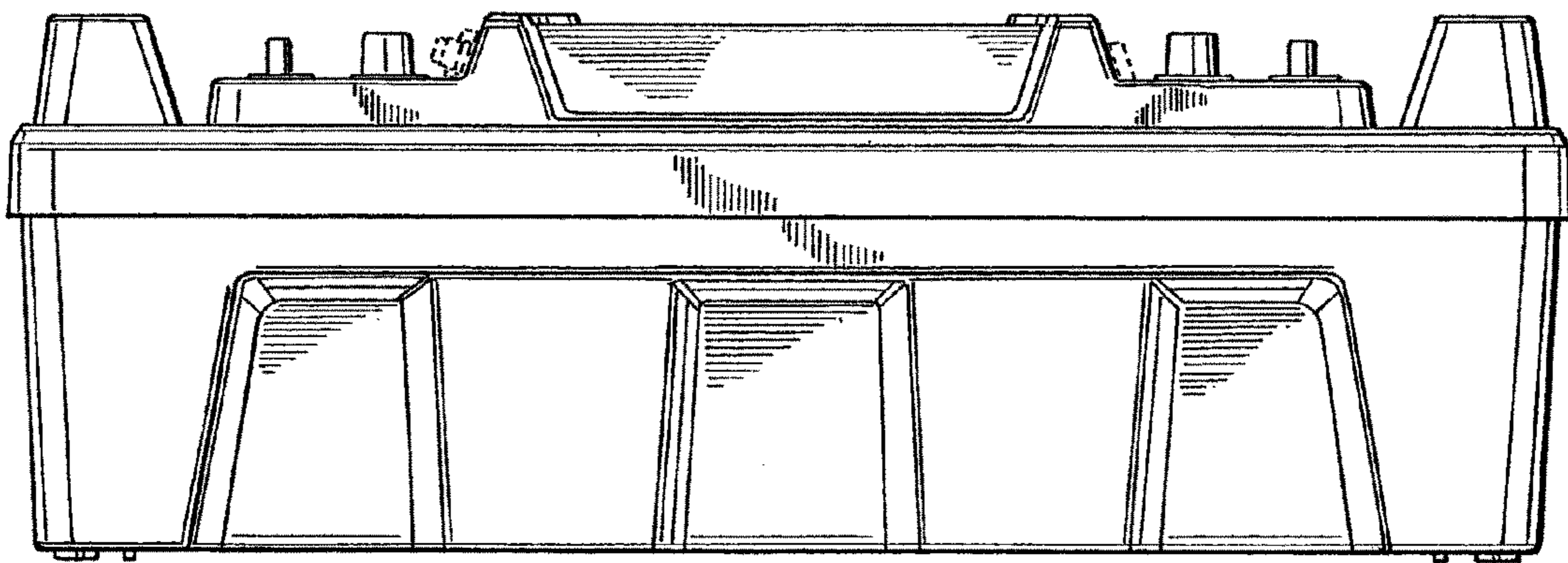


FIG. 8

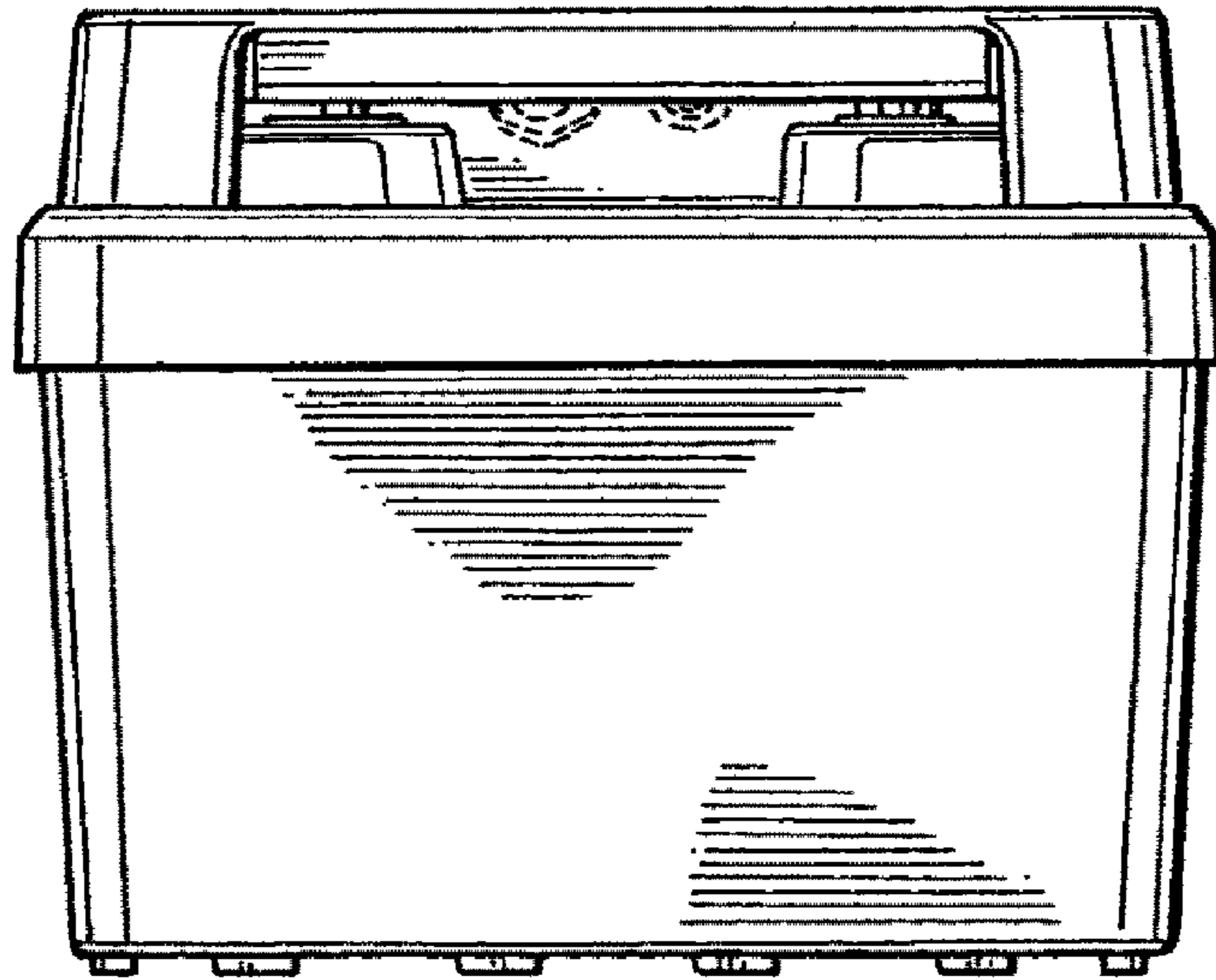


FIG. 9

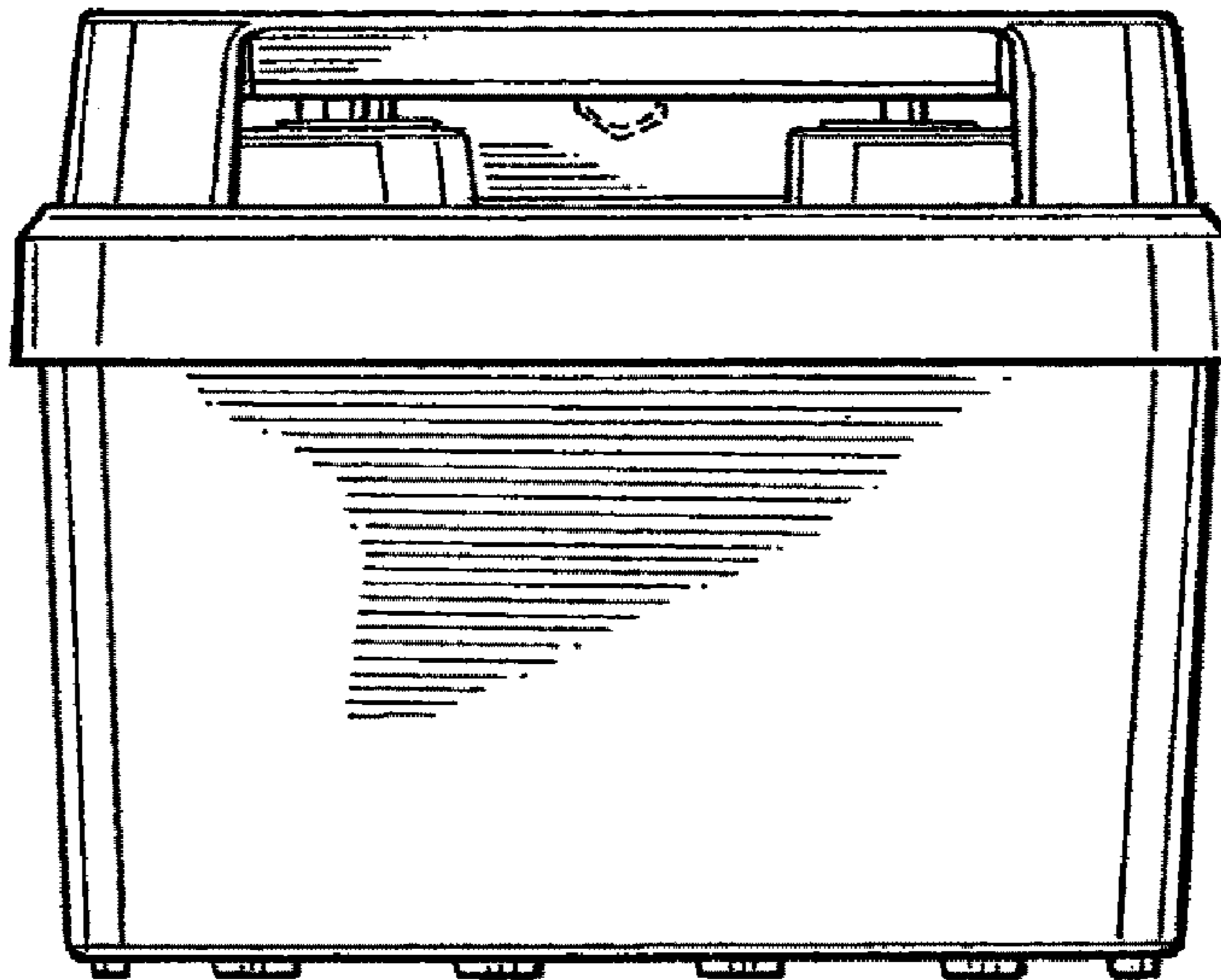


FIG. 10