



US00D659074S

(12) **United States Design Patent**
Read et al.

(10) **Patent No.:** **US D659,074 S**

(45) **Date of Patent:** **** May 8, 2012**

(54) **TRUCK STORAGE BOX**

(75) Inventors: **Brian Angus Read**, Cobourg (CA);
Brian Bruce Clarkson, Cobourg (CA);
Michael Merrill Springer, Baltimore
(CA); **Keith Alan Armstrong**,
Bowmanville (CA)

(73) Assignee: **1541689 Ontario Inc.**, Cobourg (CA)

(**) Term: **14 Years**

(21) Appl. No.: **29/356,430**

(22) Filed: **Feb. 25, 2010**

(51) **LOC (9) Cl.** **12-16**

(52) **U.S. Cl.** **D12/414**

(58) **Field of Classification Search** D12/416,
D12/414, 414.1, 412, 406, 421; D32/35,
D32/58; D6/317-319, 513-514; 206/213,
206/8, 9, 279, 290, 713, 335

See application file for complete search history.

(56) **References Cited**

U.S. PATENT DOCUMENTS

4,728,017 A	3/1988	Mullican	
D339,727 S *	9/1993	Kikuchi	D8/68
D369,342 S	4/1996	Williams	
D372,454 S *	8/1996	Murray, Sr.	D12/414.1
D373,989 S *	9/1996	Dickinson	D12/414.1
D378,671 S *	4/1997	Herrs	D12/414.1
5,685,467 A	11/1997	Niemi et al.	
D403,654 S	1/1999	Houry	

5,893,599 A	4/1999	Strohfeldt	
5,924,615 A	7/1999	McGarrah	
D426,511 S *	6/2000	Mehuron	D12/414.1
6,213,333 B1	4/2001	Icard	
D488,428 S *	4/2004	Greene	D12/414.1
D534,856 S *	1/2007	Herrera et al.	D12/414.1
D540,737 S *	4/2007	Bogard	D12/414.1
D564,438 S *	3/2008	Moore	D12/414.1
D572,652 S *	7/2008	Hutcheson	D12/414.1
D626,062 S *	10/2010	Giddens	D12/414.1

* cited by examiner

Primary Examiner — Caron D Veynar

Assistant Examiner — Katrina A Betton

(74) *Attorney, Agent, or Firm* — Gifford, Krass, Sprinkle,
Anderson & Citkowski, P.C.; Douglas L. Wathen

(57) **CLAIM**

The ornamental design for a truck storage box, as shown and described.

DESCRIPTION

FIG. 1 is a perspective view of a truck storage box according to the present design;

FIG. 2 is a top view therefor;

FIG. 3 is a front view thereof;

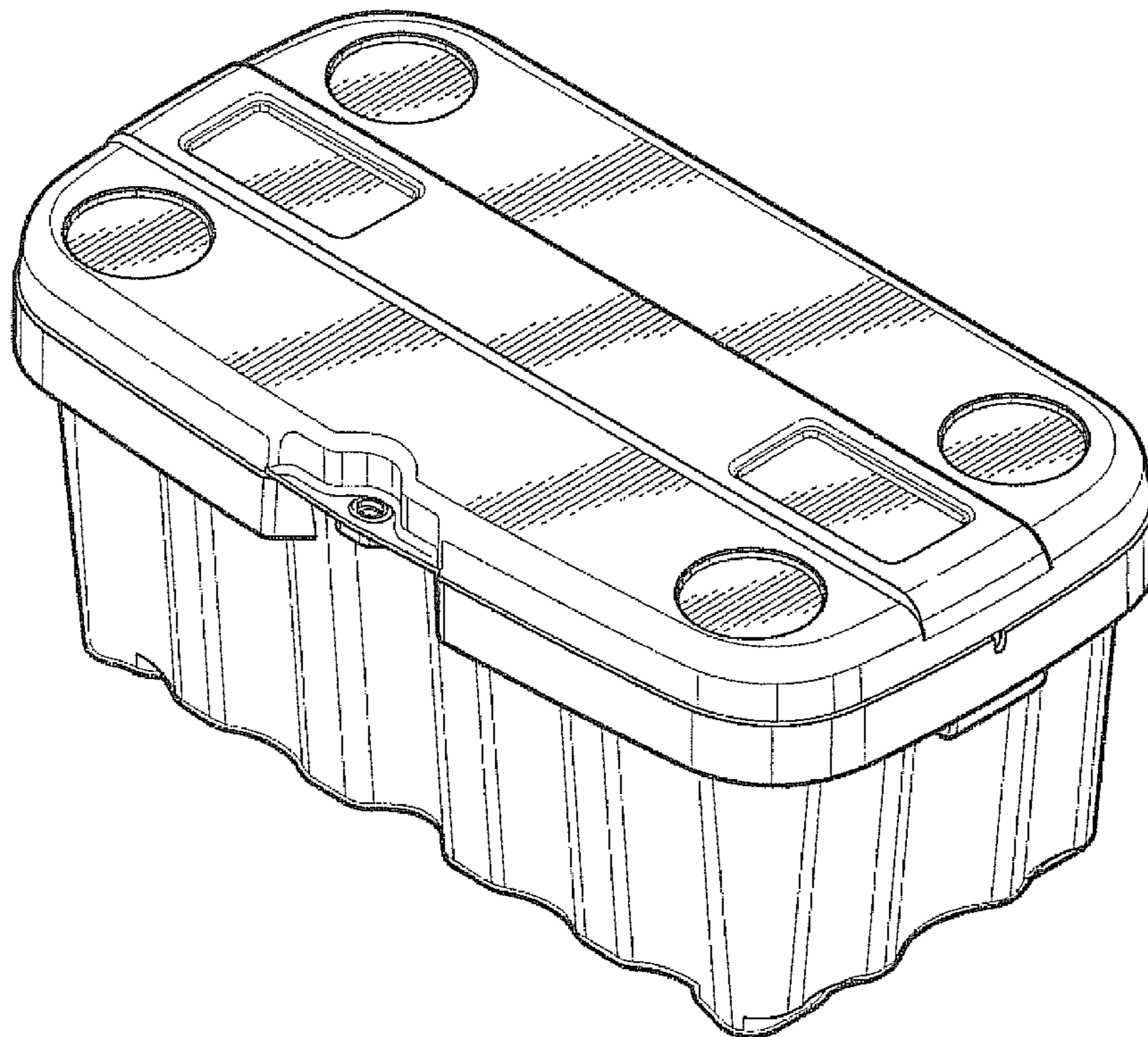
FIG. 4 is an end view thereof; the opposite side being a mirror image thereof;

FIG. 5 is a rear view thereof; and,

FIG. 6 is a bottom view thereof.

The broken lines shown in the figures are for environmental purposes only and form no part of the claimed design.

1 Claim, 4 Drawing Sheets



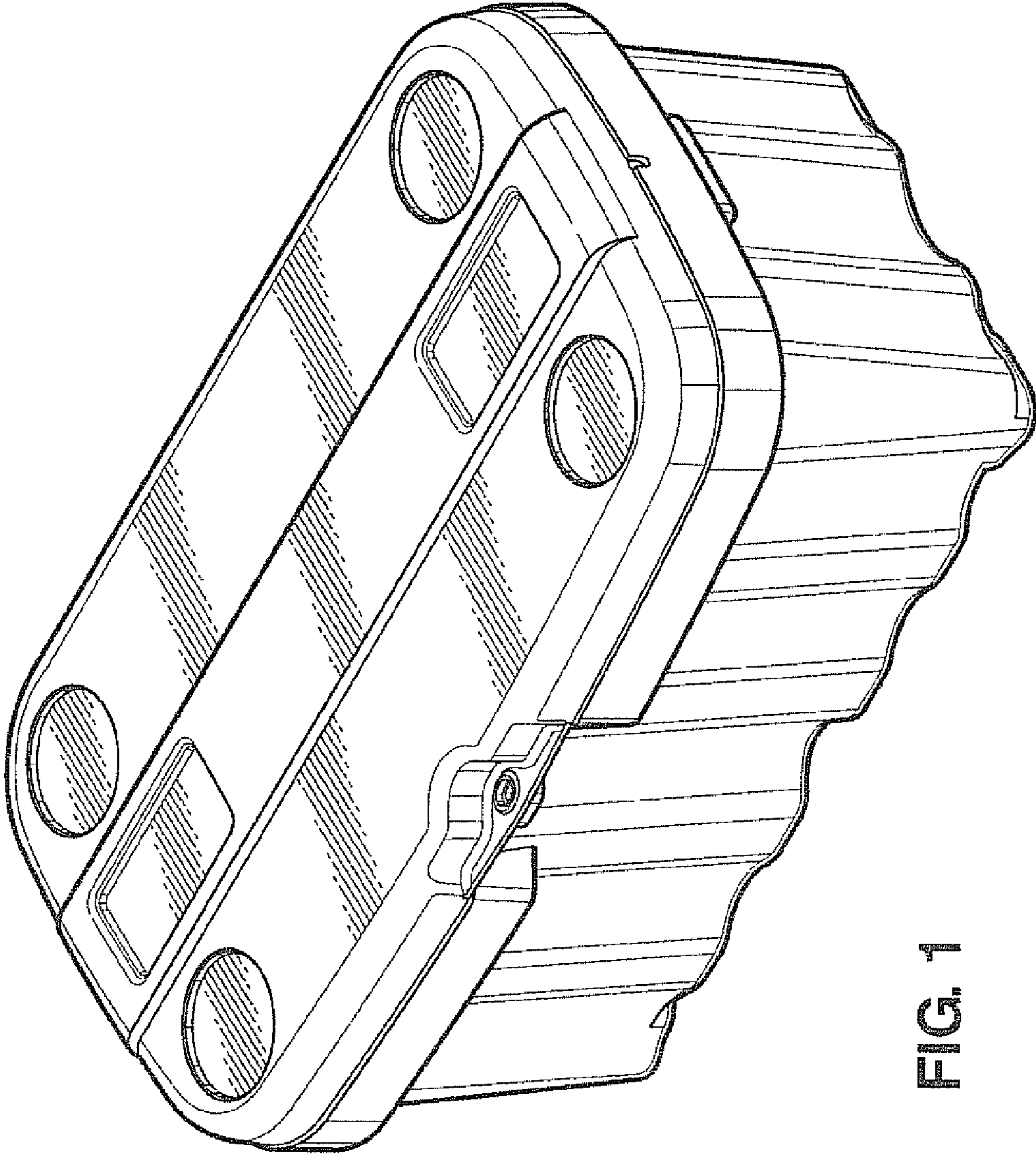


FIG. 1

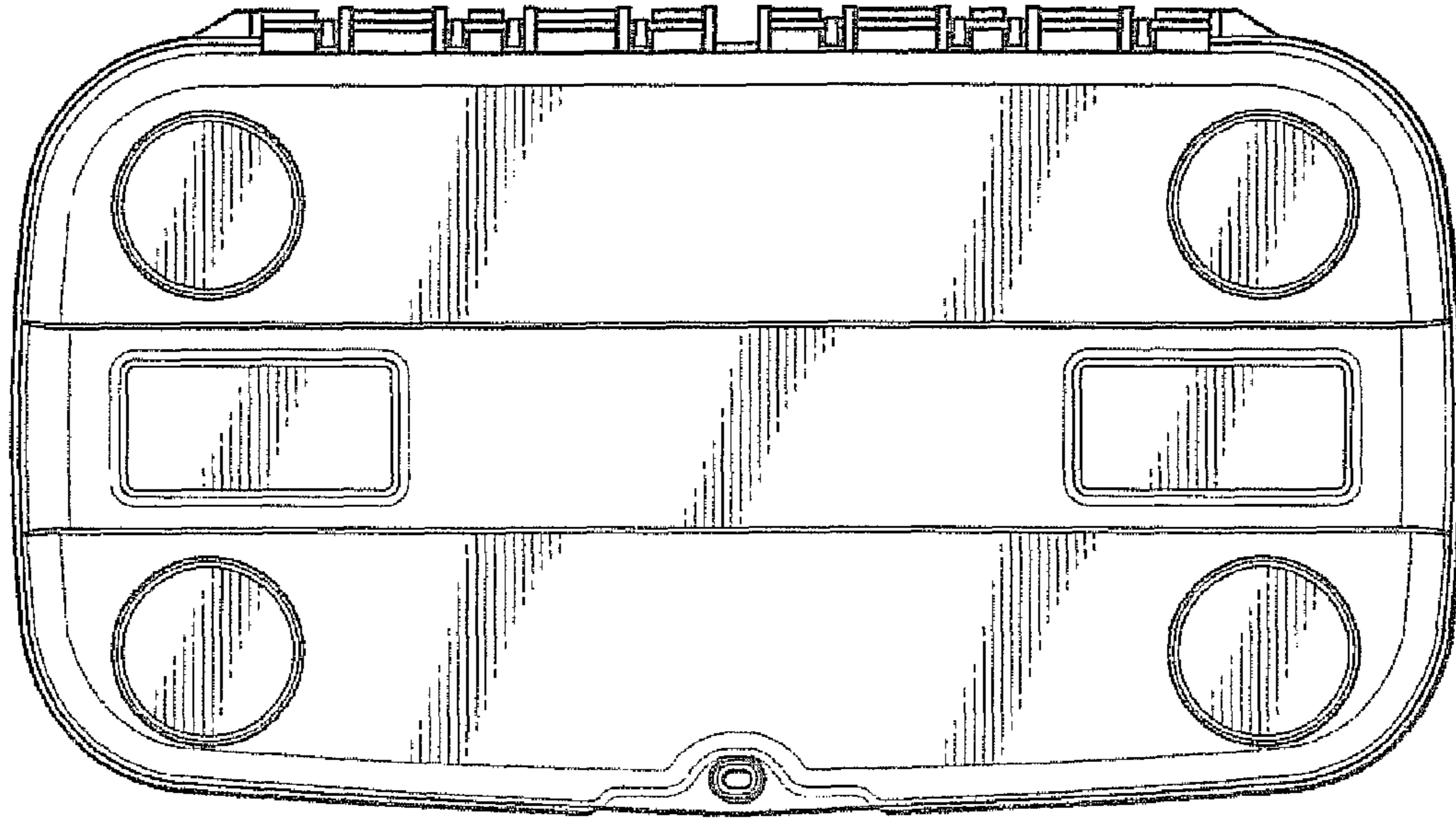


FIG. 2

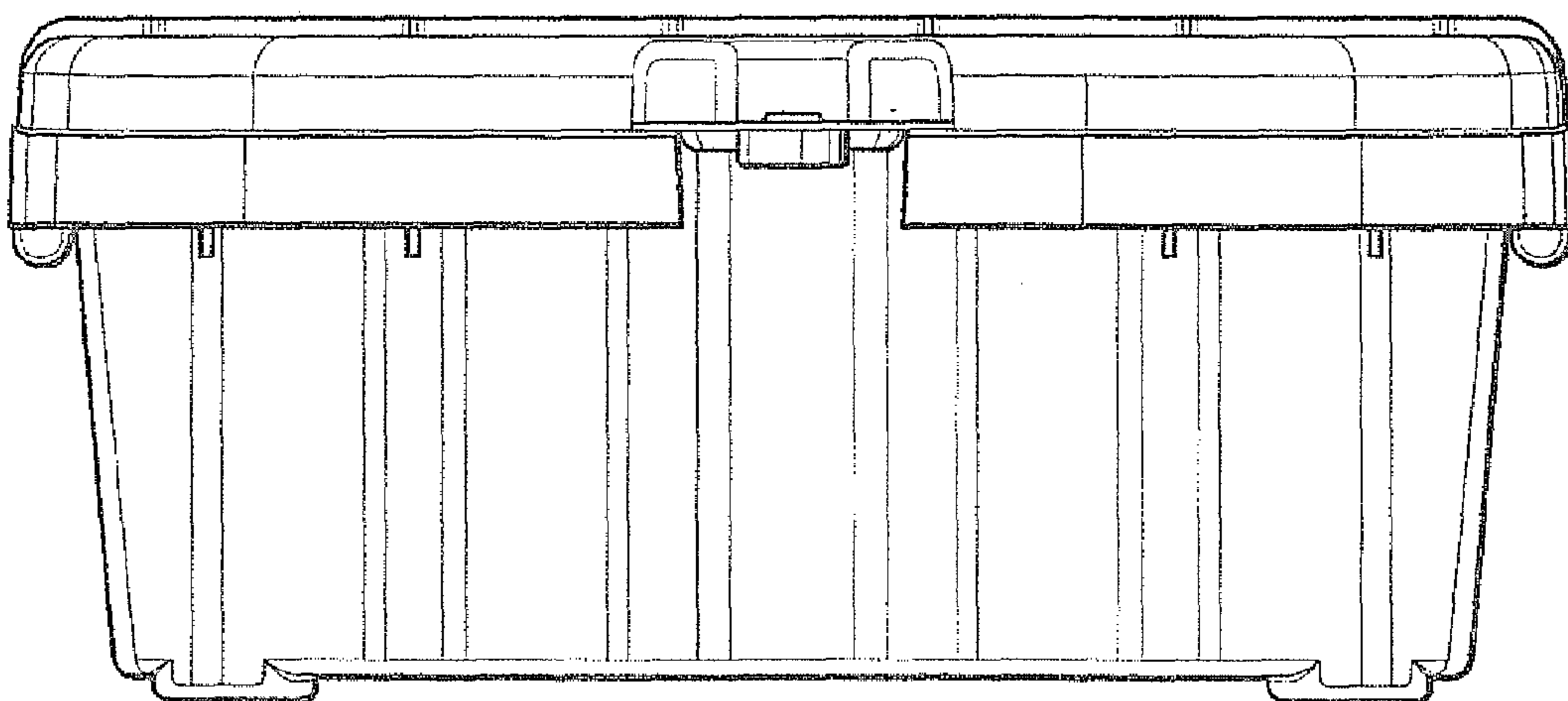


FIG. 3

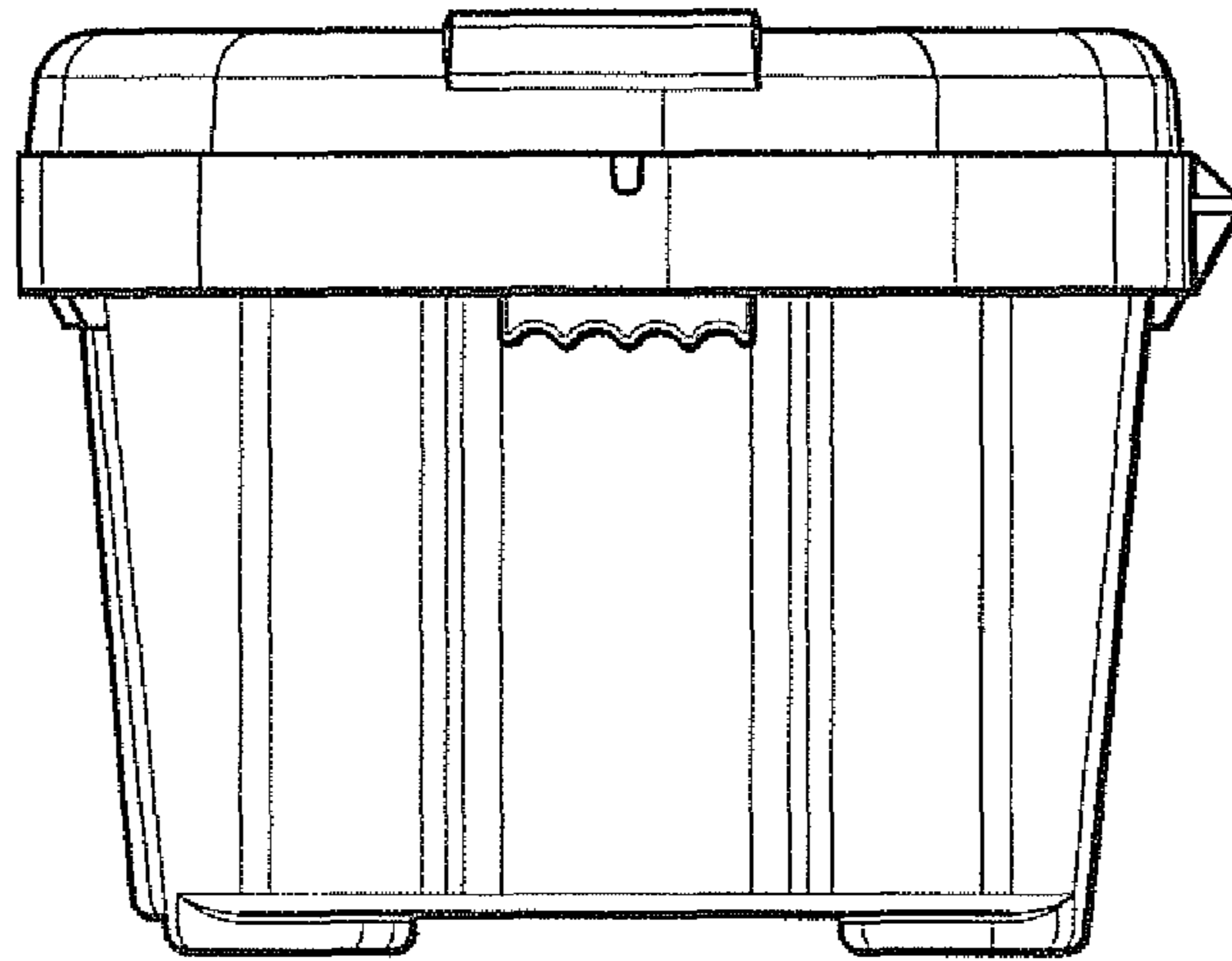


FIG. 4

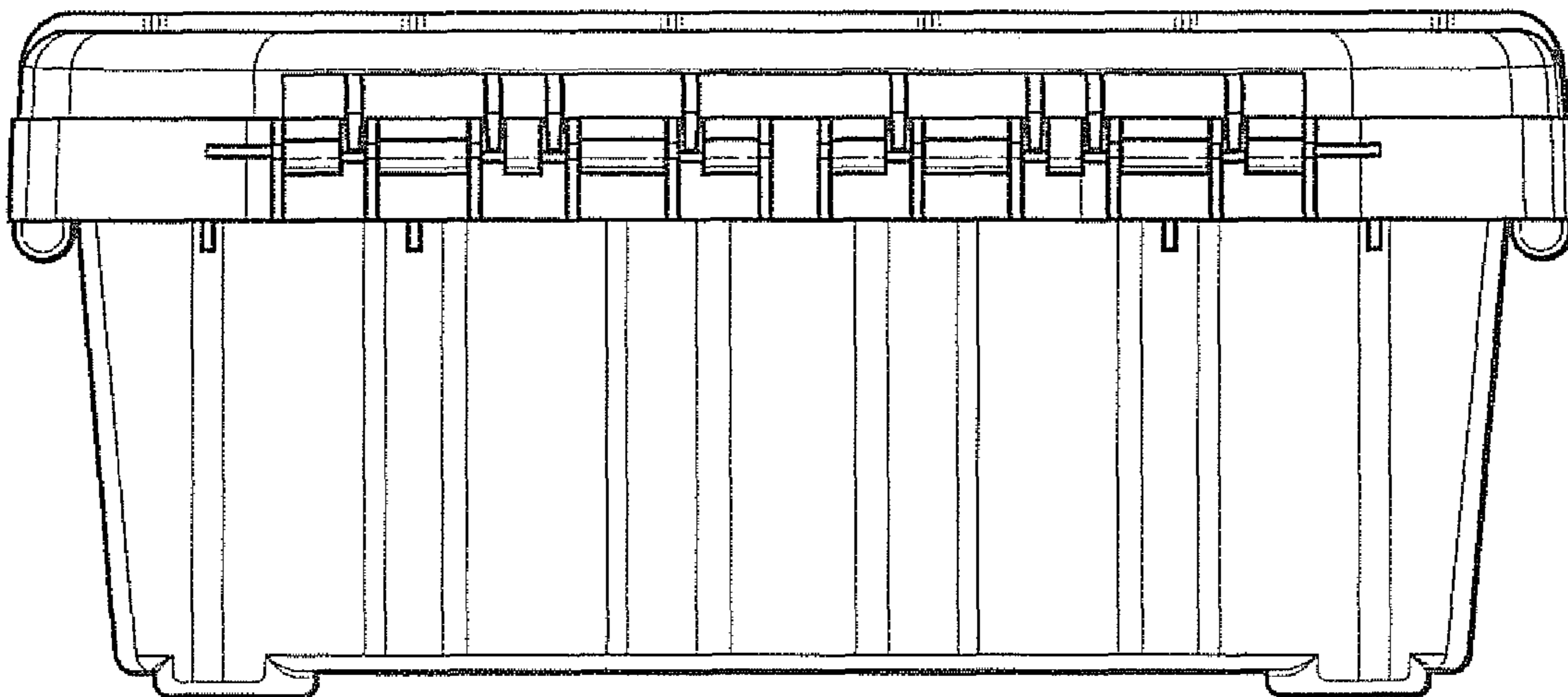


FIG. 5

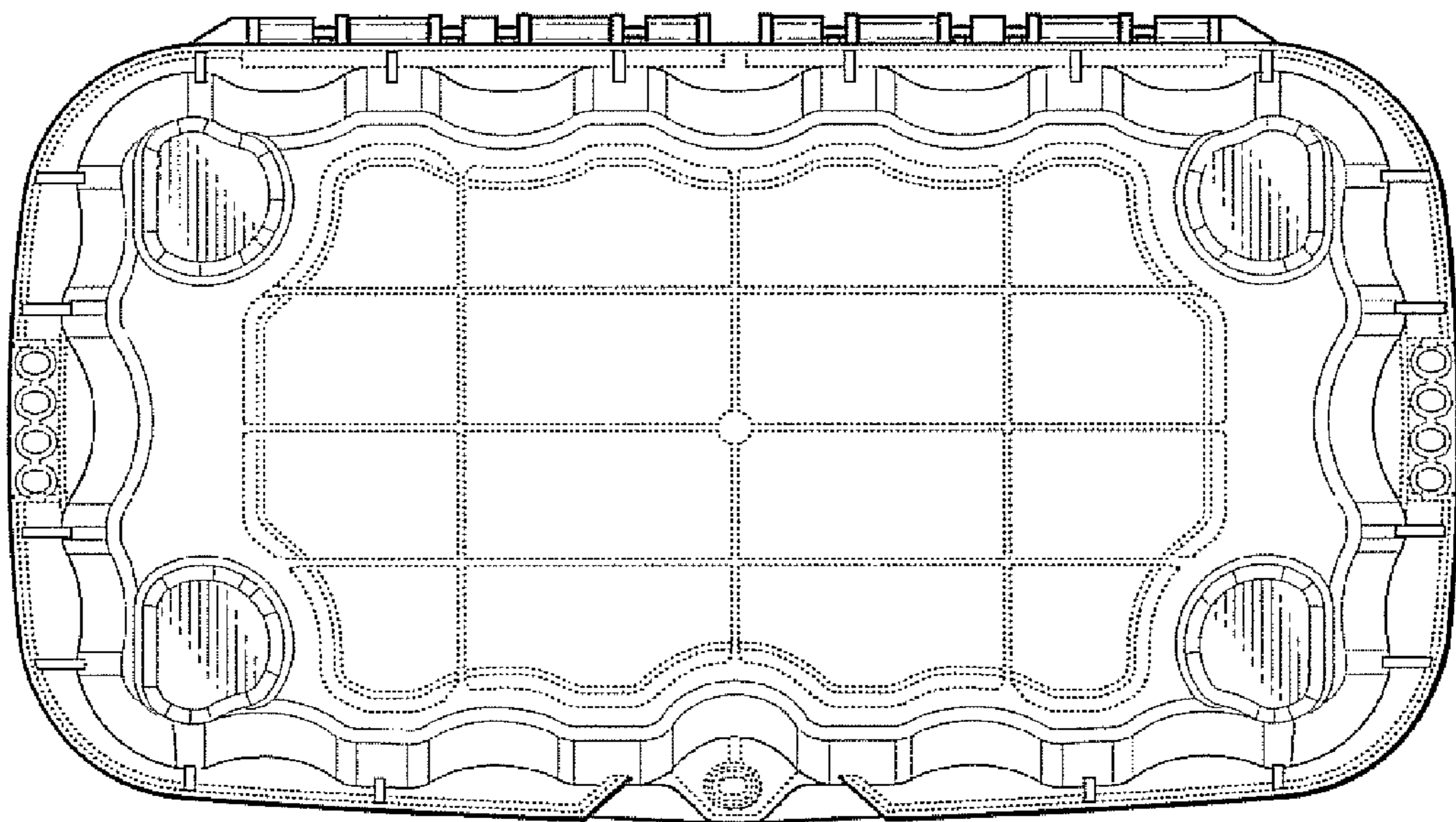


FIG. 6