



US00D659067S

(12) **United States Design Patent**
Lee

(10) **Patent No.:** **US D659,067 S**

(45) **Date of Patent:** **** May 8, 2012**

(54) **AUTOMOTIVE WHEEL**

(75) Inventor: **Kevin Lee**, Yorba Linda, CA (US)

(73) Assignee: **Kevin Lee**, Yorba Linda, CA (US)

(**) Term: **14 Years**

(21) Appl. No.: **29/404,522**

(22) Filed: **Oct. 21, 2011**

(51) **LOC (9) Cl.** **12-16**

(52) **U.S. Cl.** **D12/209**

(58) **Field of Classification Search** D12/204-213;
301/37.101, 64.101, 65, 64.201

See application file for complete search history.

D629,347 S *	12/2010	Kim	D12/211
D638,763 S *	5/2011	Chung	D12/209
D639,222 S *	6/2011	Johnson	D12/209
D639,223 S *	6/2011	Johnson	D12/209
D644,156 S *	8/2011	Johnson	D12/209
D649,101 S *	11/2011	Hale, Jr.	D12/209

* cited by examiner

Primary Examiner — Stacia Cadmus

(74) *Attorney, Agent, or Firm* — MKW Alloy Inc

(57) **CLAIM**

The ornamental design for an automotive wheel, as shown and described.

DESCRIPTION

FIG. 1 is a front elevation view of the automotive wheel of the instant invention; and,

FIG. 2 is an oblique view of the automotive wheel of the instant invention.

1 Claim, 2 Drawing Sheets

(56) **References Cited**

U.S. PATENT DOCUMENTS

D553,063 S *	10/2007	Pugh	D12/209
D579,845 S *	11/2008	Chung	D12/209
D582,829 S *	12/2008	Musser	D12/211
D584,673 S *	1/2009	Chung	D12/209
D620,863 S *	8/2010	Groom	D12/209

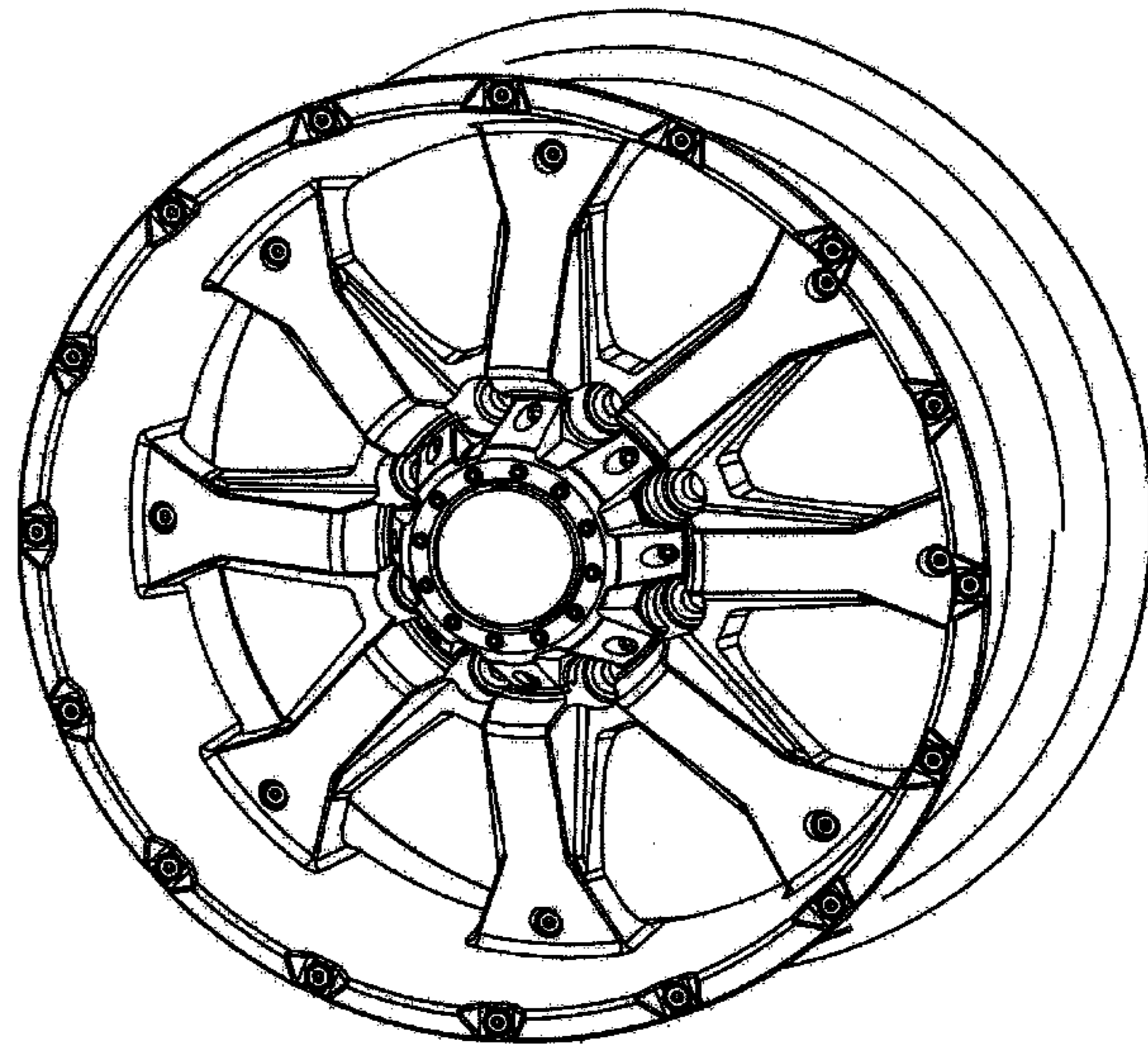
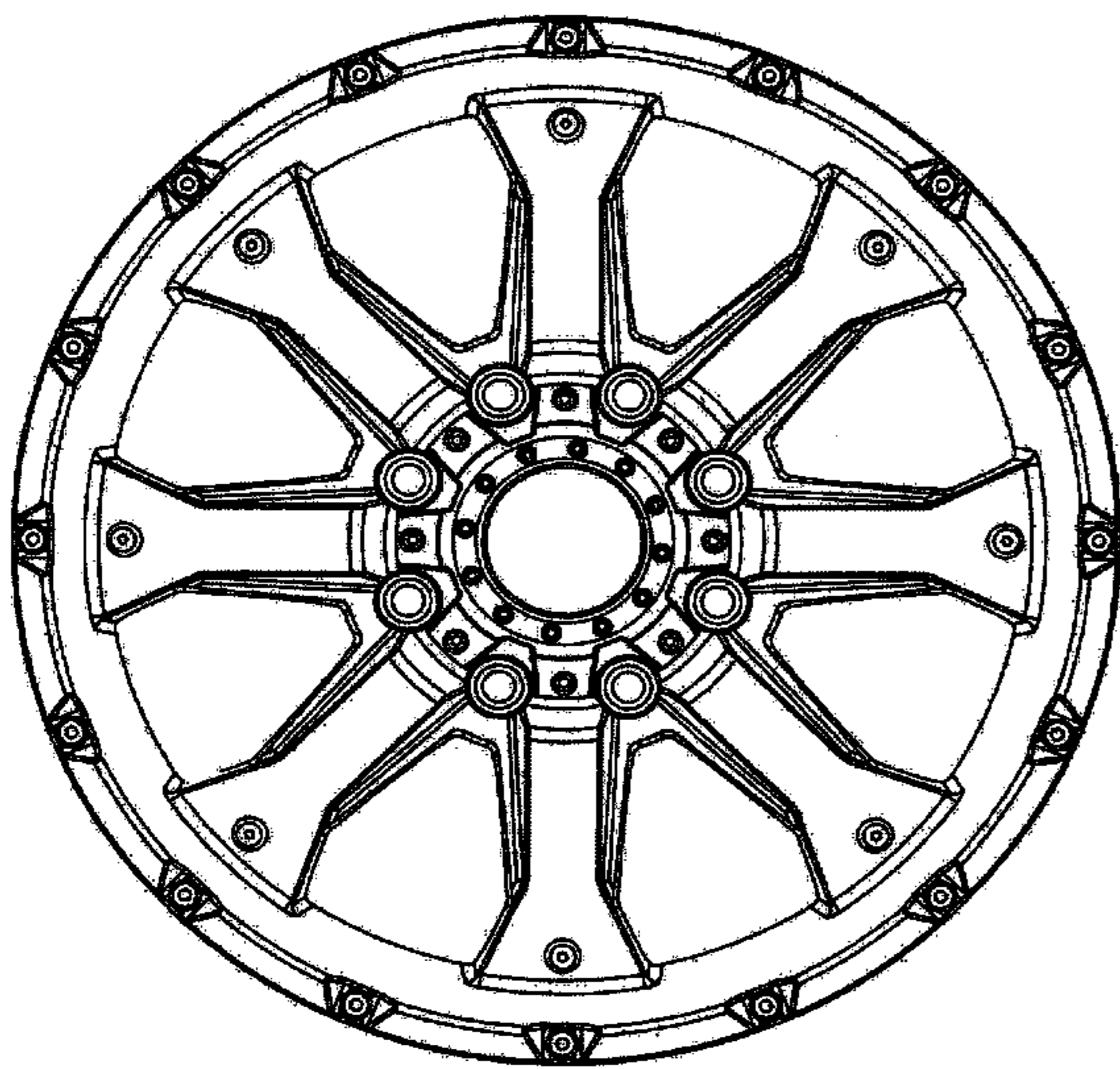


FIGURE 1

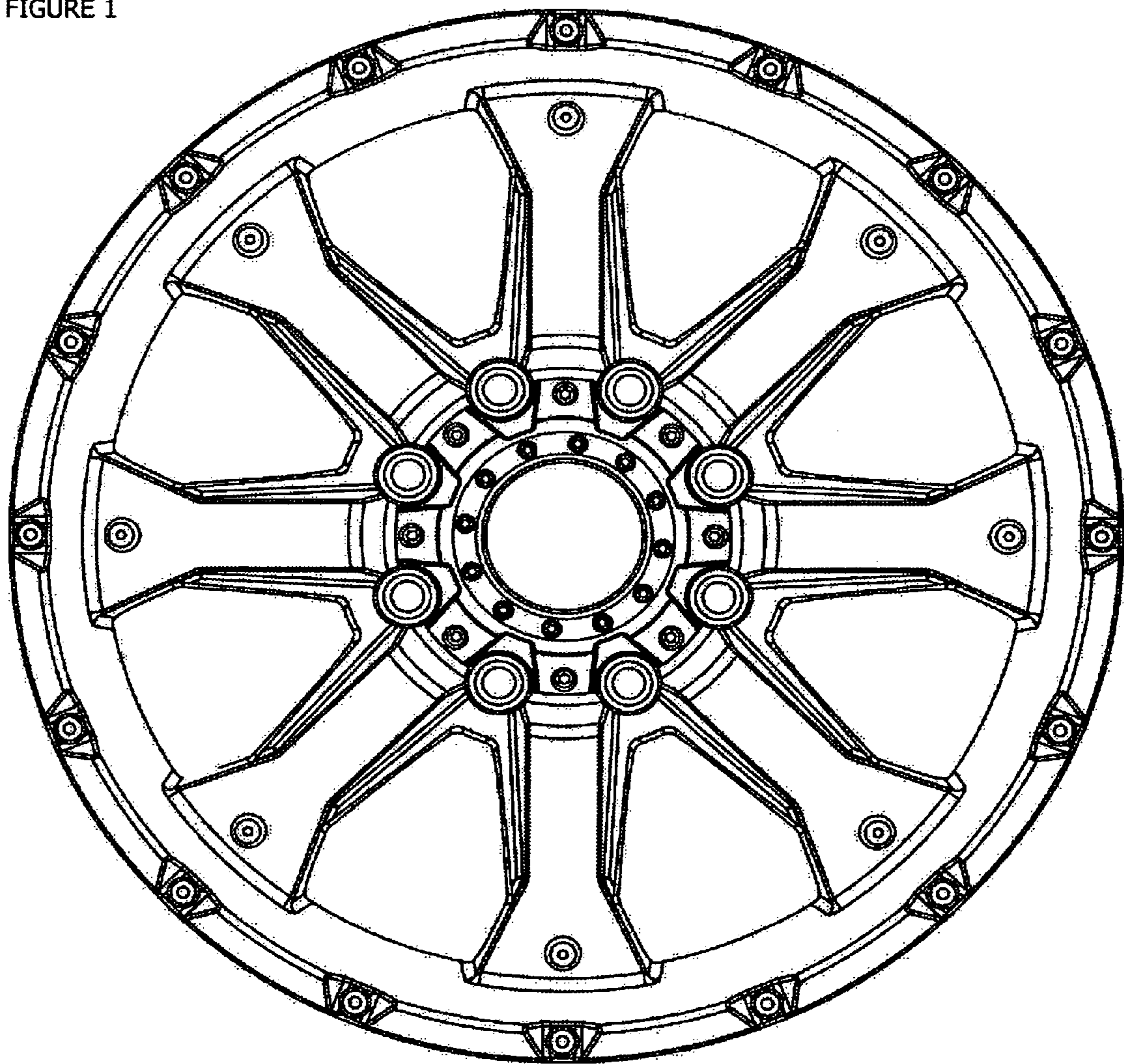


FIGURE 2

