



US00D659066S

(12) **United States Design Patent**
Johnson

(10) **Patent No.:** **US D659,066 S**

(45) **Date of Patent:** **** May 8, 2012**

(54) **AUTOMOTIVE WHEEL**

(75) Inventor: **Kelly Johnson**, Placentia, CA (US)

(73) Assignee: **Kevin Lee**, Yorba Linda, CA (US)

(**) Term: **14 Years**

(21) Appl. No.: **29/401,744**

(22) Filed: **Sep. 14, 2011**

(51) **LOC (9) Cl.** **12-16**

(52) **U.S. Cl.** **D12/209**

(58) **Field of Classification Search** D12/204-213;
301/37.101, 64.101, 65, 64.201

See application file for complete search history.

(56) **References Cited**

U.S. PATENT DOCUMENTS

D414,454 S *	9/1999	Chung	D12/211
D473,836 S *	4/2003	Laengerer	D12/211
D487,420 S *	3/2004	Kang	D12/211
D504,382 S *	4/2005	Elmitt	D12/211
D520,435 S *	5/2006	Kulla et al.	D12/211
D529,854 S *	10/2006	Scheu	D12/211
D552,524 S *	10/2007	Tirado	D12/209

D576,095 S *	9/2008	Chung	D12/211
D593,021 S *	5/2009	Chung	D12/211
D596,099 S *	7/2009	Chung	D12/209
D617,251 S *	6/2010	Zhao	D12/211
D618,155 S *	6/2010	Zhao	D12/211
D625,244 S *	10/2010	Zhao	D12/211
D633,840 S *	3/2011	Johnson	D12/209
D633,848 S *	3/2011	Johnson	D12/211
D634,692 S *	3/2011	Stefanov	D12/211
D637,947 S *	5/2011	Zhao	D12/211
D638,765 S *	5/2011	Yoon	D12/211

* cited by examiner

Primary Examiner — Stacia Cadmus

(74) *Attorney, Agent, or Firm* — MKW Alloy Inc

(57) **CLAIM**

The ornamental design for an automotive wheel, as shown and described.

DESCRIPTION

FIG. 1 is a front elevation view of the automotive wheel of the instant invention; and,
FIG. 2 is an oblique view of the automotive wheel of the instant invention.

1 Claim, 2 Drawing Sheets

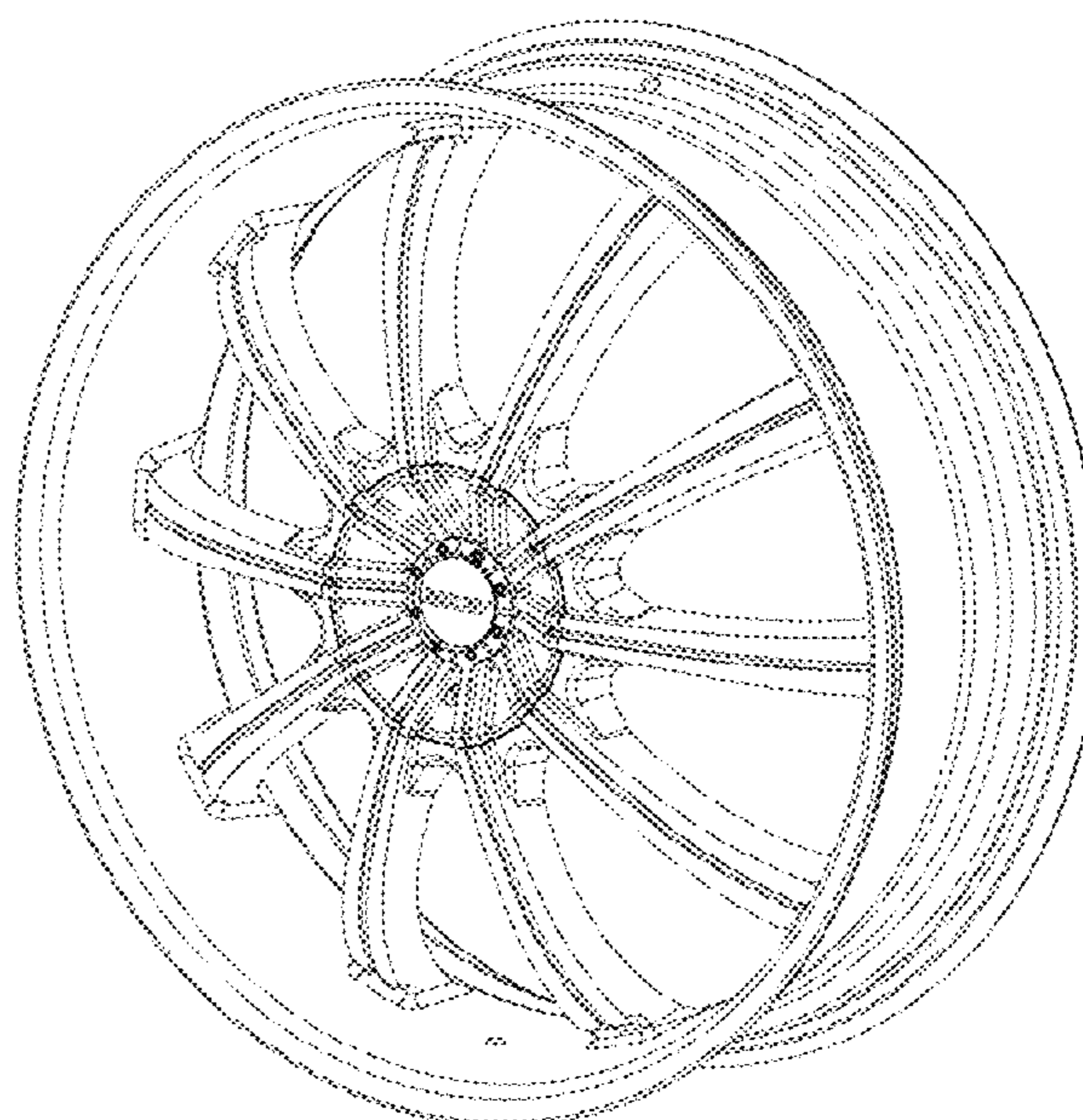
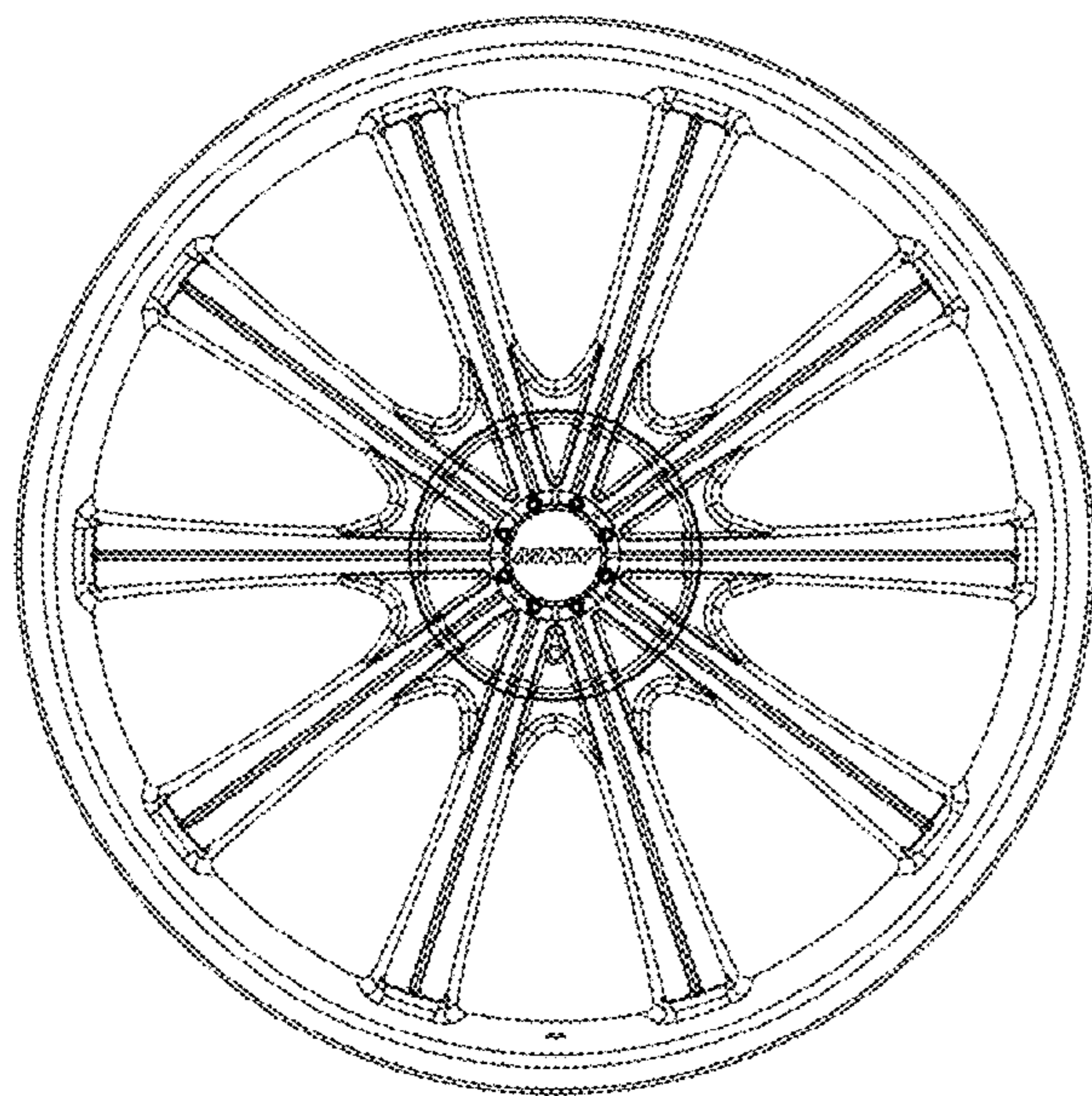


FIGURE 1

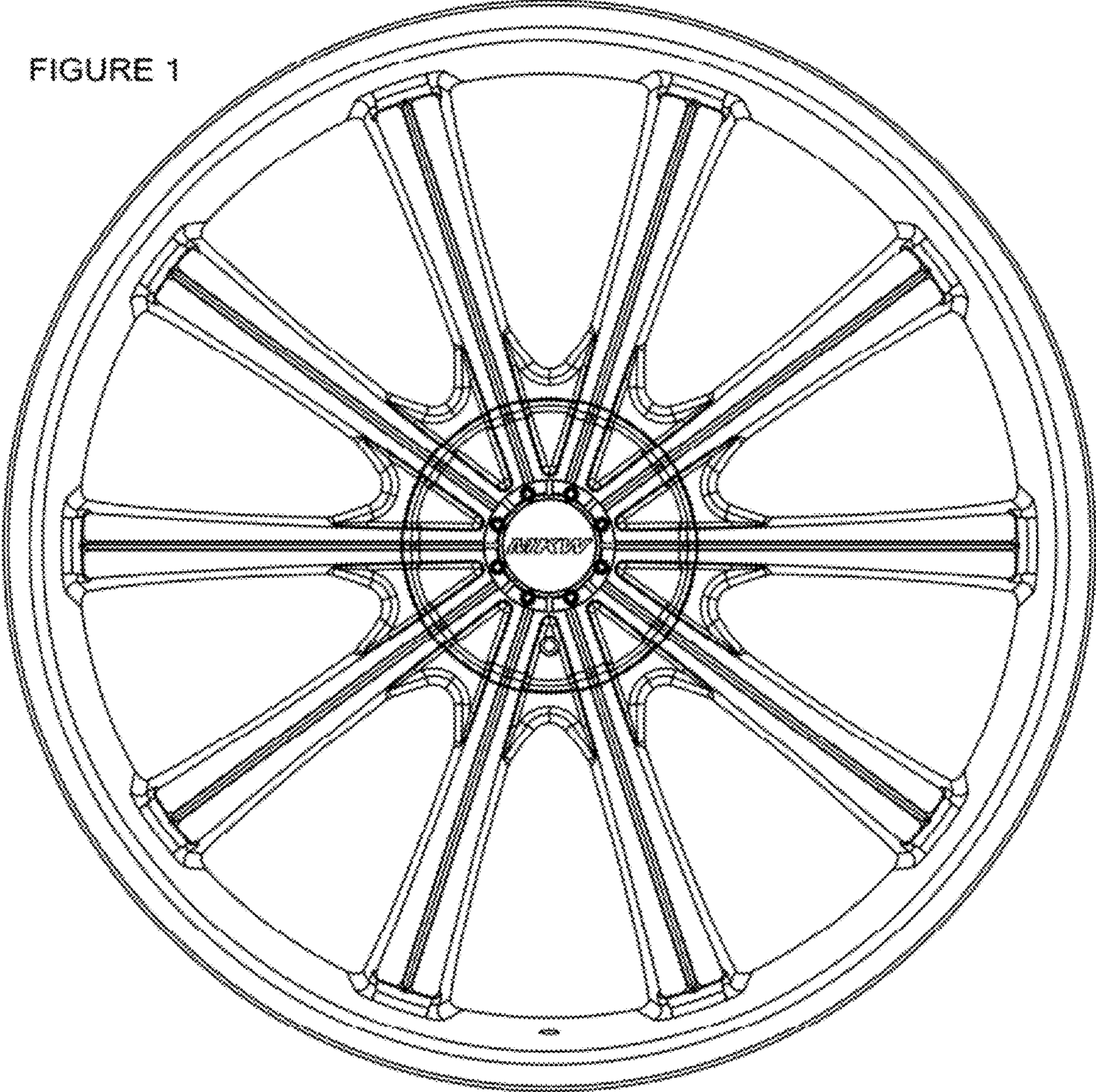


FIGURE 2

