



US00D659065S

(12) **United States Design Patent**
Johnson

(10) **Patent No.:** **US D659,065 S**

(45) **Date of Patent:** **** May 8, 2012**

(54) **AUTOMOTIVE WHEEL**

(75) Inventor: **Kelly Johnson**, Placentia, CA (US)

(73) Assignee: **Kevin Lee**, Yorba Linda, CA (US)

(**) Term: **14 Years**

(21) Appl. No.: **29/401,741**

(22) Filed: **Sep. 14, 2011**

(51) **LOC (9) Cl.** **12-16**

(52) **U.S. Cl.** **D12/209**

(58) **Field of Classification Search** D12/204-213;
301/37.101, 64.101, 65, 64.201
See application file for complete search history.

D592,118 S *	5/2009	Chung	D12/209
D604,683 S *	11/2009	Hosai	D12/209
D617,248 S *	6/2010	Zhao	D12/209
D617,720 S *	6/2010	Zhao	D12/211
D618,605 S *	6/2010	Zhao	D12/209
D639,221 S *	6/2011	Johnson	D12/209
D641,677 S *	7/2011	Weil	D12/209
D644,586 S *	9/2011	Baum	D12/209

* cited by examiner

Primary Examiner — Stacia Cadmus

(74) *Attorney, Agent, or Firm* — MKW Alloy Inc

(57) **CLAIM**

The ornamental design for an automotive wheel, as shown and described.

(56) **References Cited**

U.S. PATENT DOCUMENTS

D447,106 S *	8/2001	Chung	D12/209
D461,155 S *	8/2002	Takechi	D12/209
D516,490 S *	3/2006	Baer	D12/211
D523,386 S *	6/2006	Khan	D12/209
D531,562 S *	11/2006	Kim	D12/209
D585,806 S *	2/2009	Chung	D12/209
D591,663 S *	5/2009	Chung	D12/211

DESCRIPTION

FIG. 1 is a front elevation view of the automotive wheel of the instant invention; and,
FIG. 2 is an oblique view of the automotive wheel of the instant invention.

1 Claim, 2 Drawing Sheets

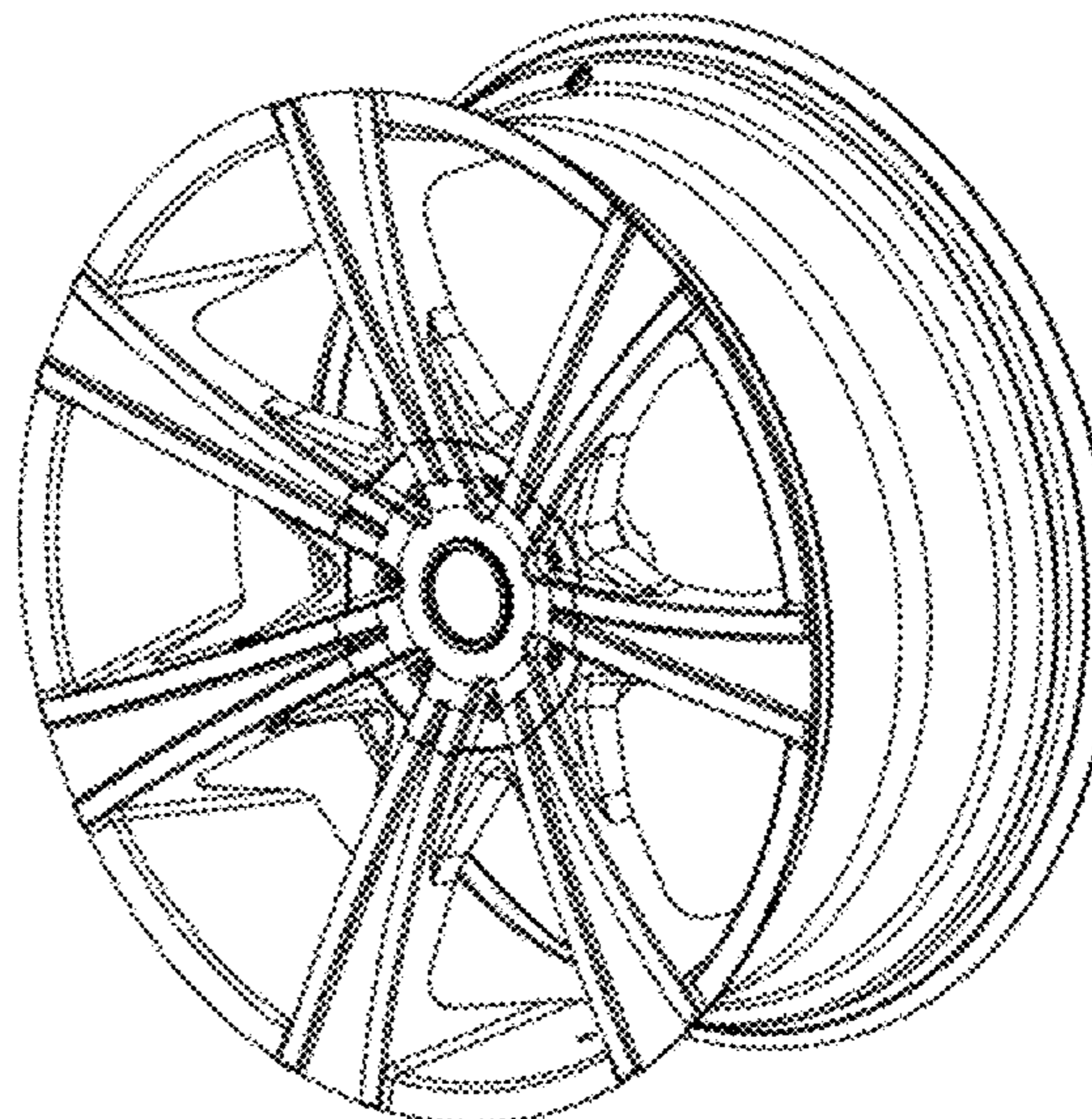
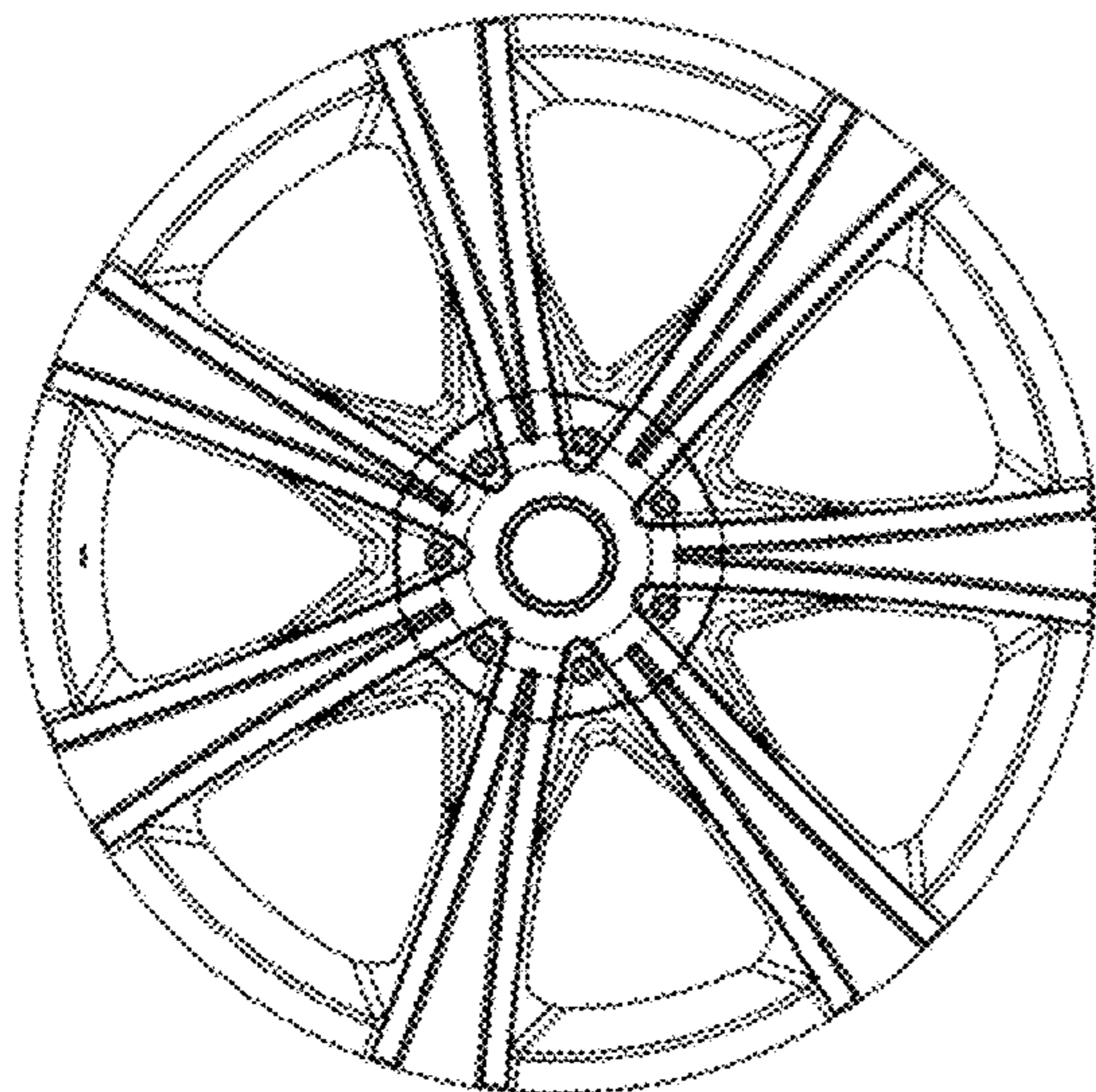


FIGURE 1

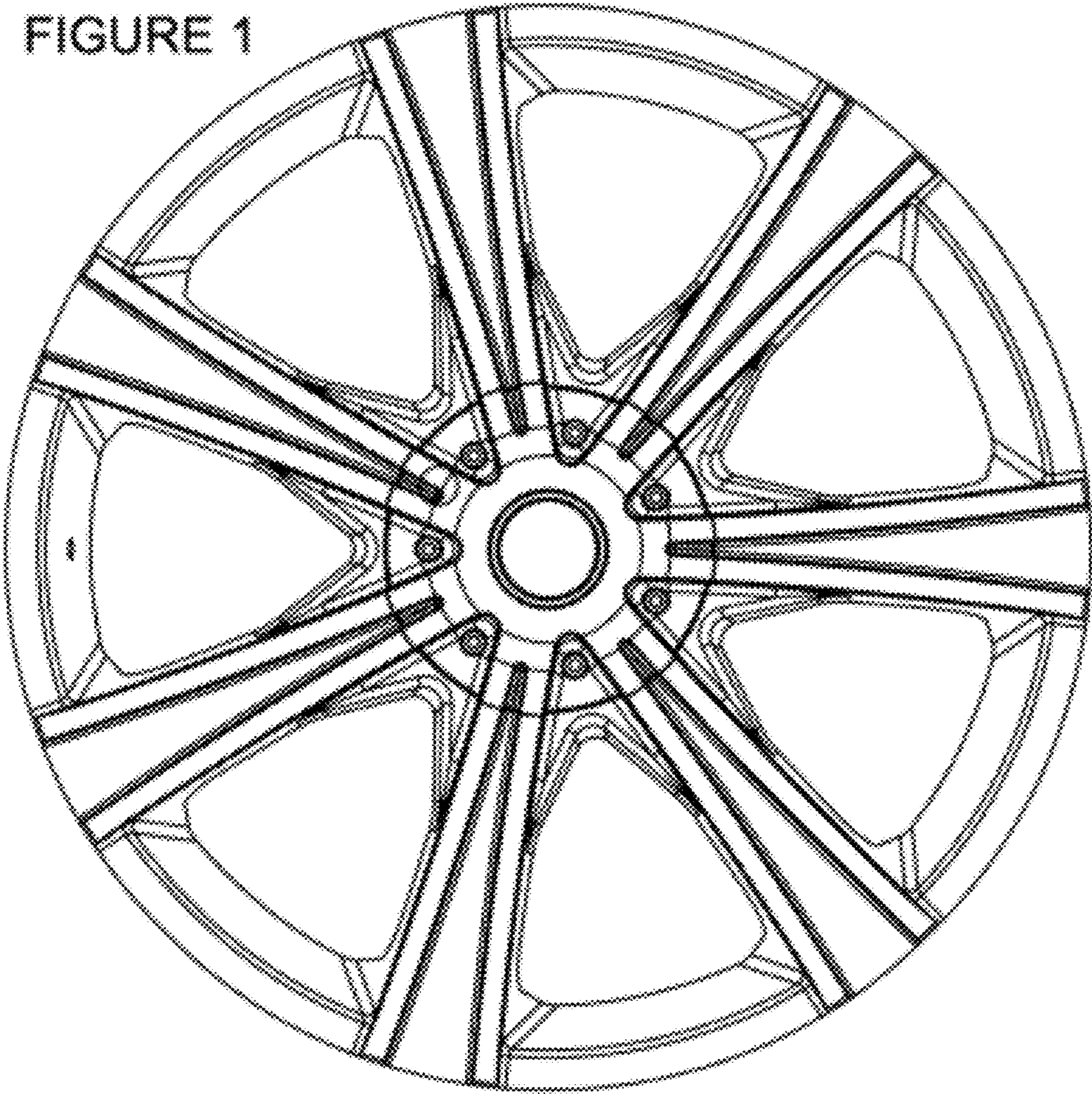


FIGURE 2

