



US00D659064S

(12) **United States Design Patent**  
**Johnson**

(10) **Patent No.:** **US D659,064 S**

(45) **Date of Patent:** **\*\* May 8, 2012**

(54) **AUTOMOTIVE WHEEL**

(75) **Inventor:** **Kelly Johnson**, Placentia, CA (US)

(73) **Assignee:** **Kevin Lee**, Yorba Linda, CA (US)

(\*\*) **Term:** **14 Years**

(21) **Appl. No.:** **29/401,735**

(22) **Filed:** **Sep. 14, 2011**

(51) **LOC (9) Cl.** ..... **12-16**

(52) **U.S. Cl.** ..... **D12/209**

(58) **Field of Classification Search** ..... D12/204-213;  
301/37.101, 64.101, 65, 64.201

See application file for complete search history.

(56) **References Cited**

**U.S. PATENT DOCUMENTS**

D409,132 S \* 5/1999 Cullen ..... D12/211  
D460,942 S \* 7/2002 Lee ..... D12/211

D528,495 S \* 9/2006 Truebsbach ..... D12/211  
D548,166 S \* 8/2007 Young ..... D12/211  
D608,710 S \* 1/2010 Nissl ..... D12/209  
D614,112 S \* 4/2010 Tant et al. .... D12/211  
D621,771 S \* 8/2010 Truebsbach ..... D12/211  
D641,678 S \* 7/2011 Elmitt ..... D12/209  
D644,976 S \* 9/2011 Nissl ..... D12/209  
D647,449 S \* 10/2011 Gotschke ..... D12/209

\* cited by examiner

*Primary Examiner* — Stacia Cadmus

(74) *Attorney, Agent, or Firm* — MKW Alloy Inc

(57) **CLAIM**

The ornamental design for an automotive wheel, as shown and described.

**DESCRIPTION**

FIG. 1 is a front elevation view of the automotive wheel of the instant invention; and,

FIG. 2 is an oblique view of the automotive wheel of the instant invention.

**1 Claim, 2 Drawing Sheets**

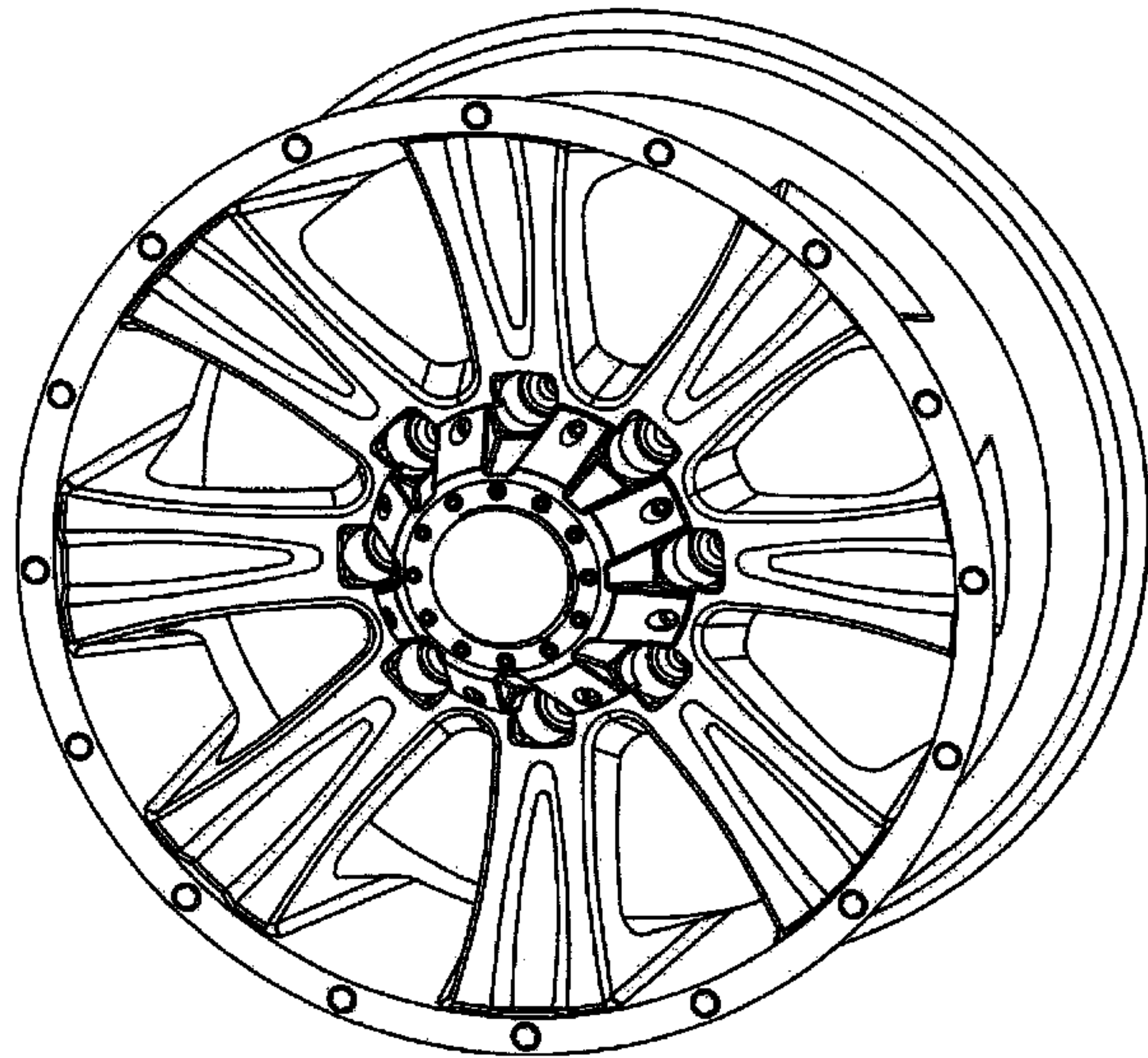
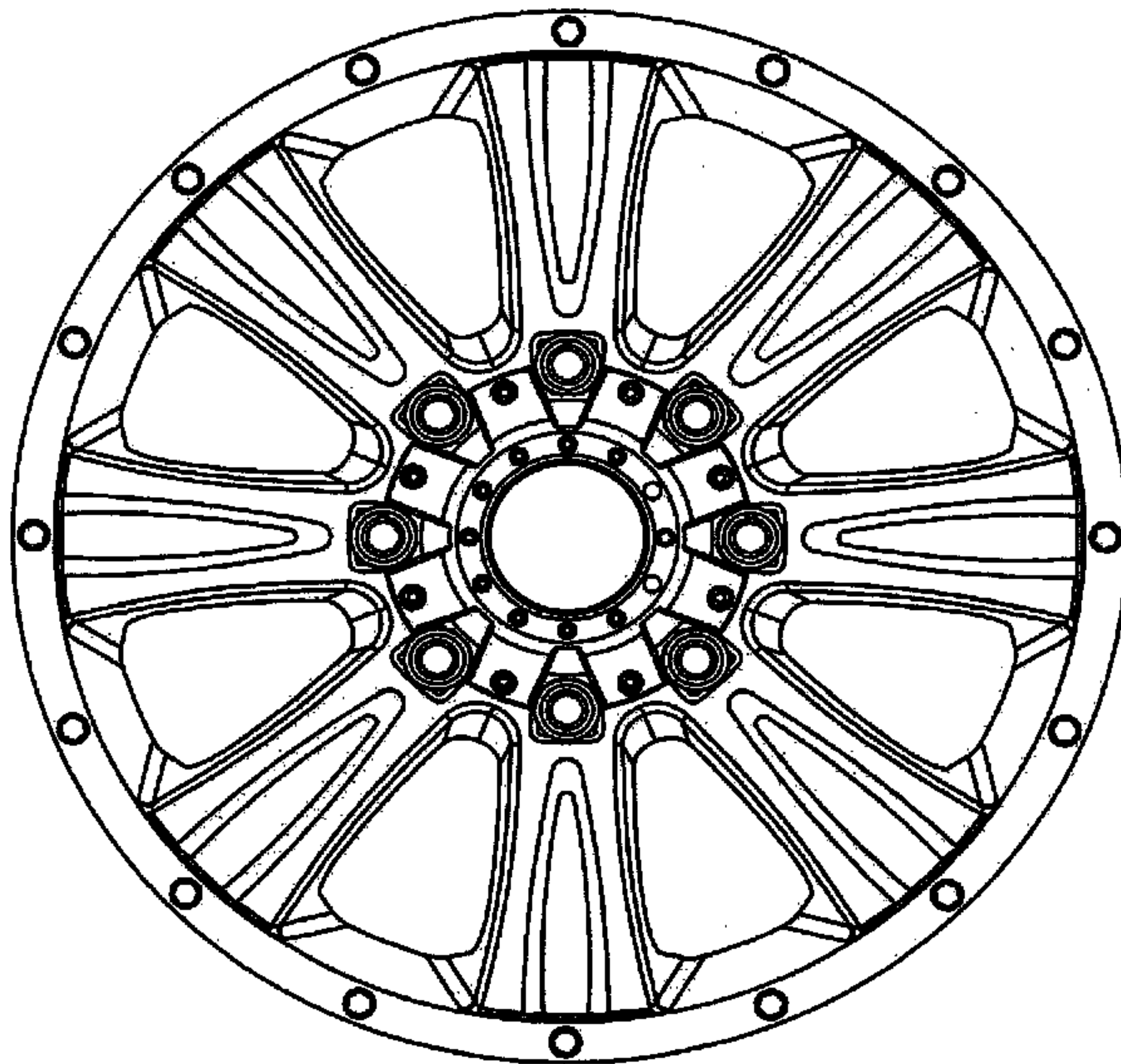


FIGURE 1

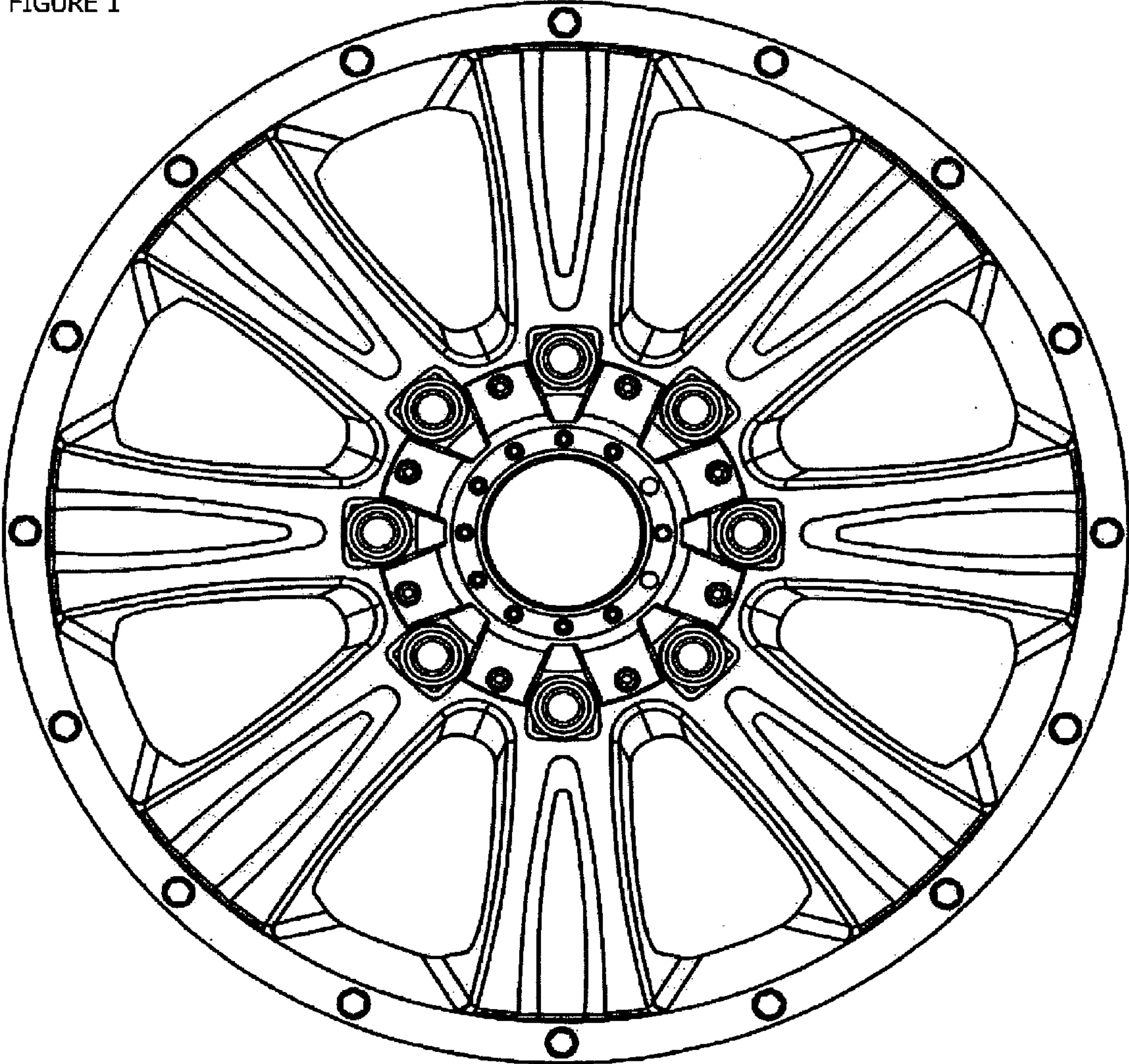




FIGURE 2

