



US00D659063S

(12) **United States Design Patent**  
**Johnson**

(10) **Patent No.:** **US D659,063 S**

(45) **Date of Patent:** **\*\* May 8, 2012**

(54) **AUTOMOTIVE WHEEL**

(75) Inventor: **Kelly Johnson**, Placentia, CA (US)

(73) Assignee: **Kevin Lee**, Yorba Linda, CA (US)

(\*\*) Term: **14 Years**

(21) Appl. No.: **29/401,733**

(22) Filed: **Sep. 14, 2011**

(51) **LOC (9) Cl.** ..... **12-16**

(52) **U.S. Cl.** ..... **D12/209**

(58) **Field of Classification Search** ..... D12/204-213;  
301/37.101, 64.101, 65, 64.201  
See application file for complete search history.

D560,589 S *	1/2008	Celik .....	D12/211
D590,317 S *	4/2009	Chung .....	D12/211
D590,320 S *	4/2009	Scheu .....	D12/211
D632,239 S *	2/2011	Gallert .....	D12/211
D638,763 S *	5/2011	Chung .....	D12/209
D639,222 S *	6/2011	Johnson .....	D12/209
D639,228 S *	6/2011	Johnson .....	D12/211
D644,156 S *	8/2011	Johnson .....	D12/209

\* cited by examiner

*Primary Examiner* — Stacia Cadmus

(74) *Attorney, Agent, or Firm* — MKW Alloy Inc

(57) **CLAIM**

The ornamental design for an automotive wheel, as shown and described.

(56) **References Cited**

U.S. PATENT DOCUMENTS

D339,561 S *	9/1993	Maiworm et al. ....	D12/211
D344,924 S *	3/1994	Braungart et al. ....	D12/211
D387,724 S *	12/1997	Chung .....	D12/209
D457,119 S *	5/2002	Braun et al. ....	D12/211
D520,434 S *	5/2006	Fahr-Becker .....	D12/211
D522,950 S *	6/2006	Pfeiffer .....	D12/211

**DESCRIPTION**

FIG. 1 is a front elevation view of the automotive wheel of the instant invention; and,  
FIG. 2 is an oblique view of the automotive wheel of the instant invention.

**1 Claim, 2 Drawing Sheets**

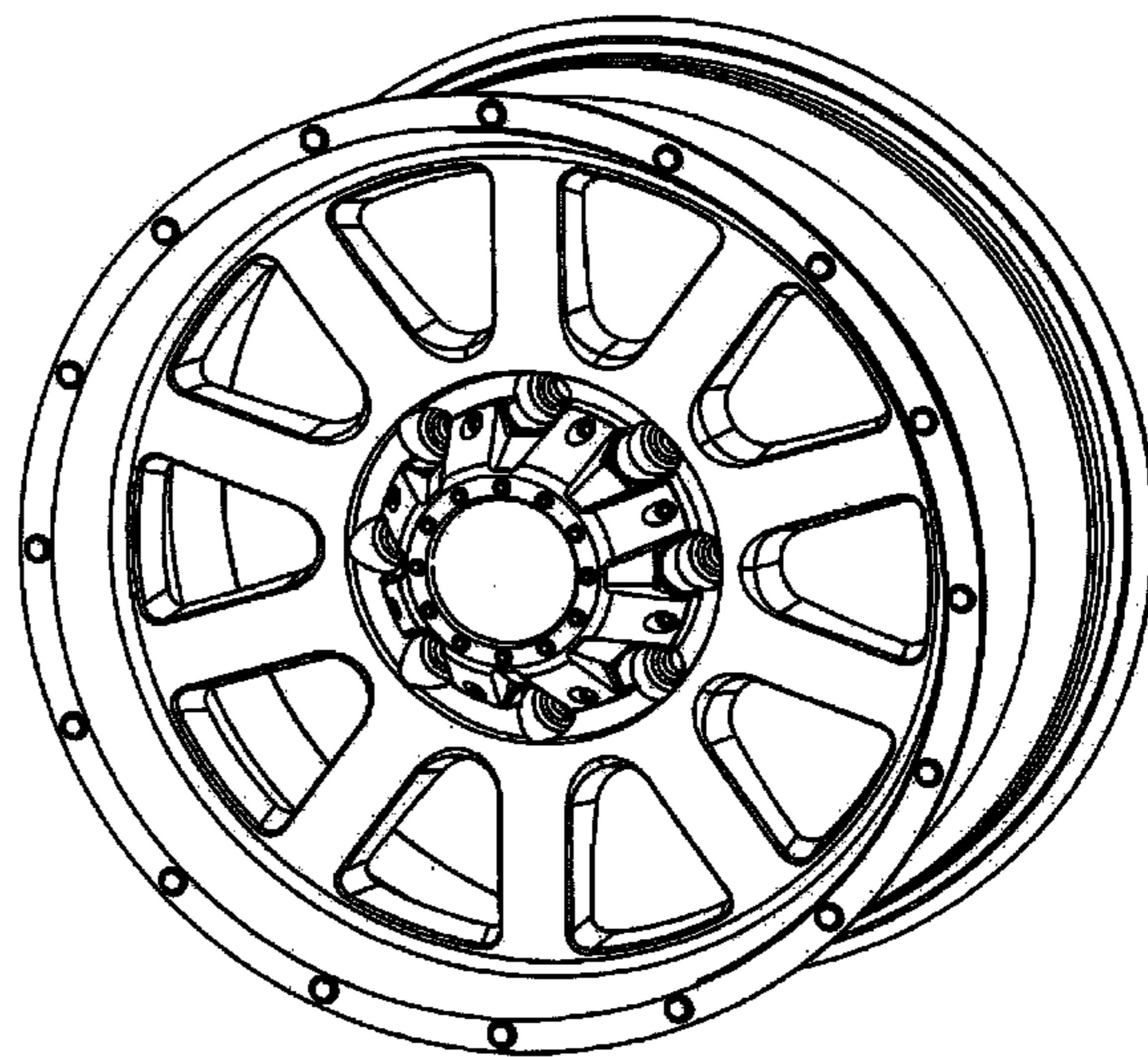
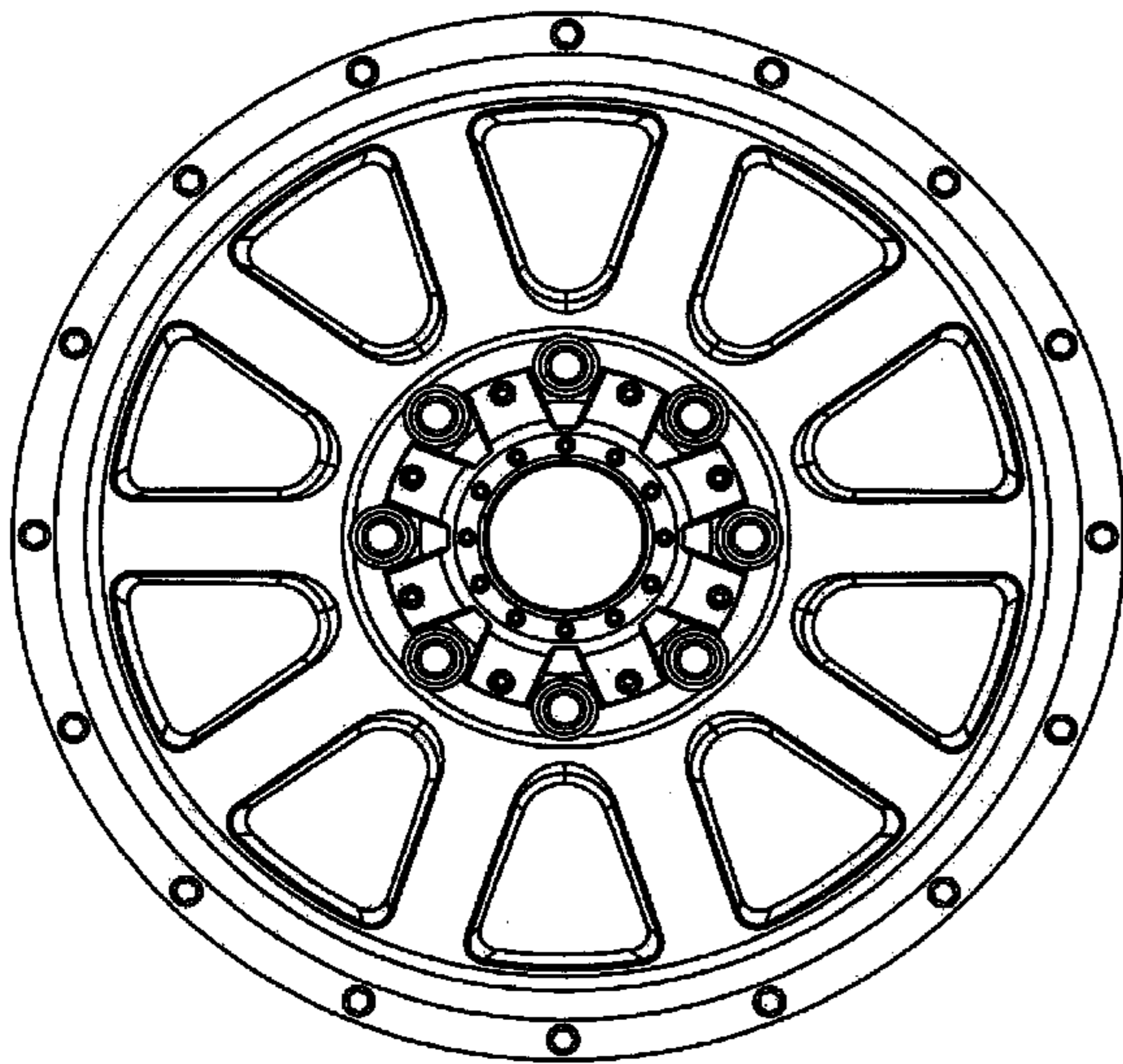


FIGURE 1

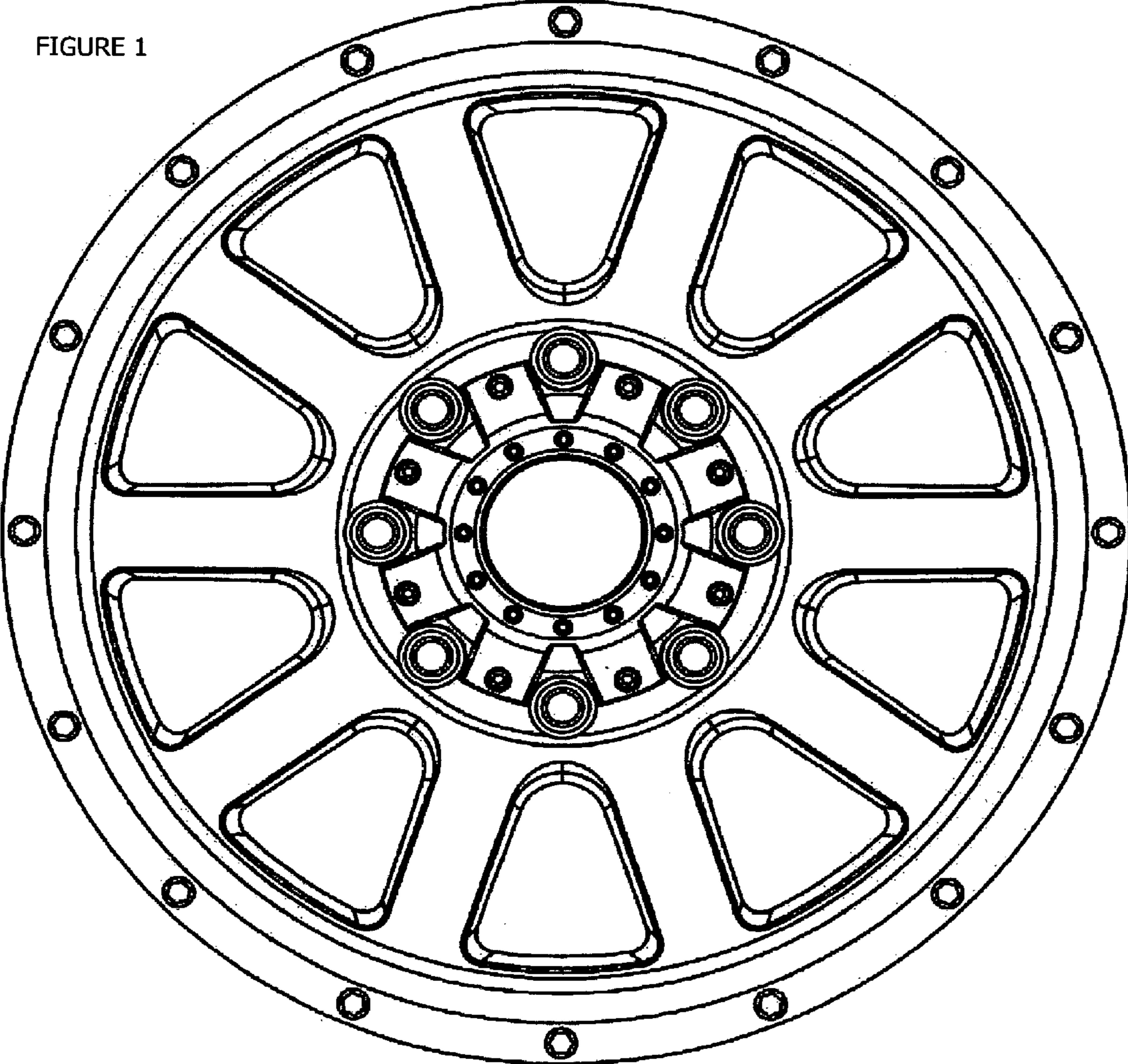




FIGURE 2

