



US00D659055S

(12) **United States Design Patent**
Agati et al.

(10) **Patent No.:** **US D659,055 S**

(45) **Date of Patent:** **** May 8, 2012**

(54) **TRICYCLE**

(75) Inventors: **Joseph Agati**, Chicago, IL (US);
Edward Paramadilok, Chicago, IL
(US); **Todd Herlitz**, Chicago, IL (US)

(73) Assignee: **Radio Flyer Inc.**, Chicago, IL (US)

(**) Term: **14 Years**

(21) Appl. No.: **29/396,502**

(22) Filed: **Jun. 30, 2011**

(51) **LOC (9) Cl.** **12-11**

(52) **U.S. Cl.** **D12/112**

(58) **Field of Classification Search** D12/112,
D12/113; D21/423, 432, 435, 538; 280/1.184,
280/67, 239, 259, 274-280, 281.1, 282-288,
280/288.1-288.3, 827, 828, 202, 62; 446/440
See application file for complete search history.

(56) **References Cited**

U.S. PATENT DOCUMENTS

D300,619 S * 4/1989 Phinney et al. D12/112
D337,973 S * 8/1993 Mariol D12/112
D435,235 S * 12/2000 Matias De Oliveira D12/112

D484,073 S * 12/2003 Heinemann et al. D12/112
D485,513 S * 1/2004 de Oliveira D12/112
D582,489 S * 12/2008 Badanjo D21/435
D645,381 S * 9/2011 Bricker et al. D12/112

* cited by examiner

Primary Examiner — Susan M Lee

Assistant Examiner — Linda G. Brooks

(74) *Attorney, Agent, or Firm* — R. Blake Johnston, Esq.;
DLA Piper US LLP

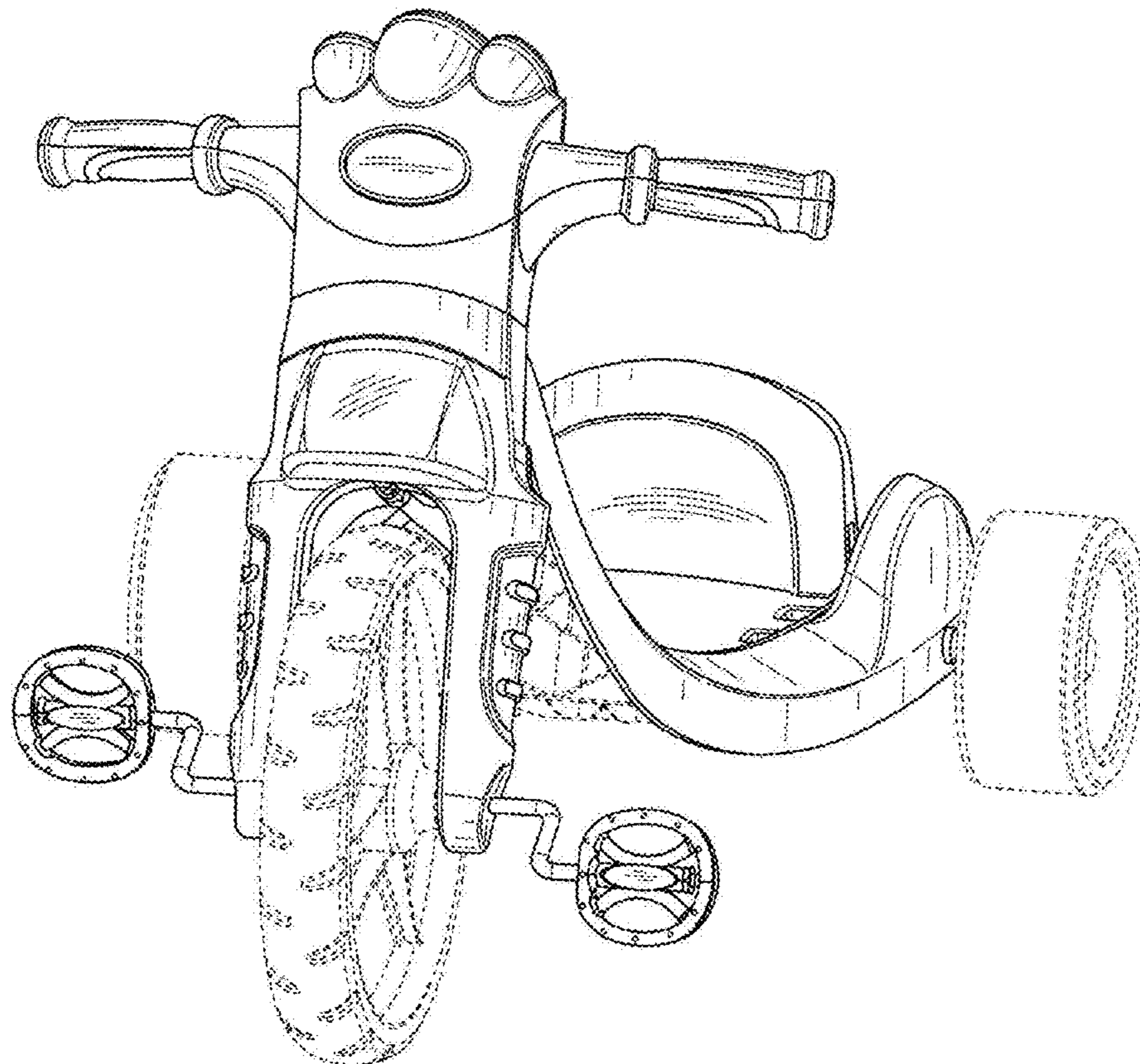
(57) **CLAIM**

The ornamental design for a tricycle, as shown and described.

DESCRIPTION

FIG. 1 is a perspective view of the tricycle;
FIG. 2 is a front elevational view of the tricycle;
FIG. 3 is a rear elevational view of the tricycle;
FIG. 4 is a left side elevational view of the tricycle;
FIG. 5 is a right side elevational view of the tricycle;
FIG. 6 is a top plan view of the tricycle; and,
FIG. 7 is a bottom plan view of the tricycle.
The features shown in broken lines form no part of the
claimed design.

1 Claim, 6 Drawing Sheets



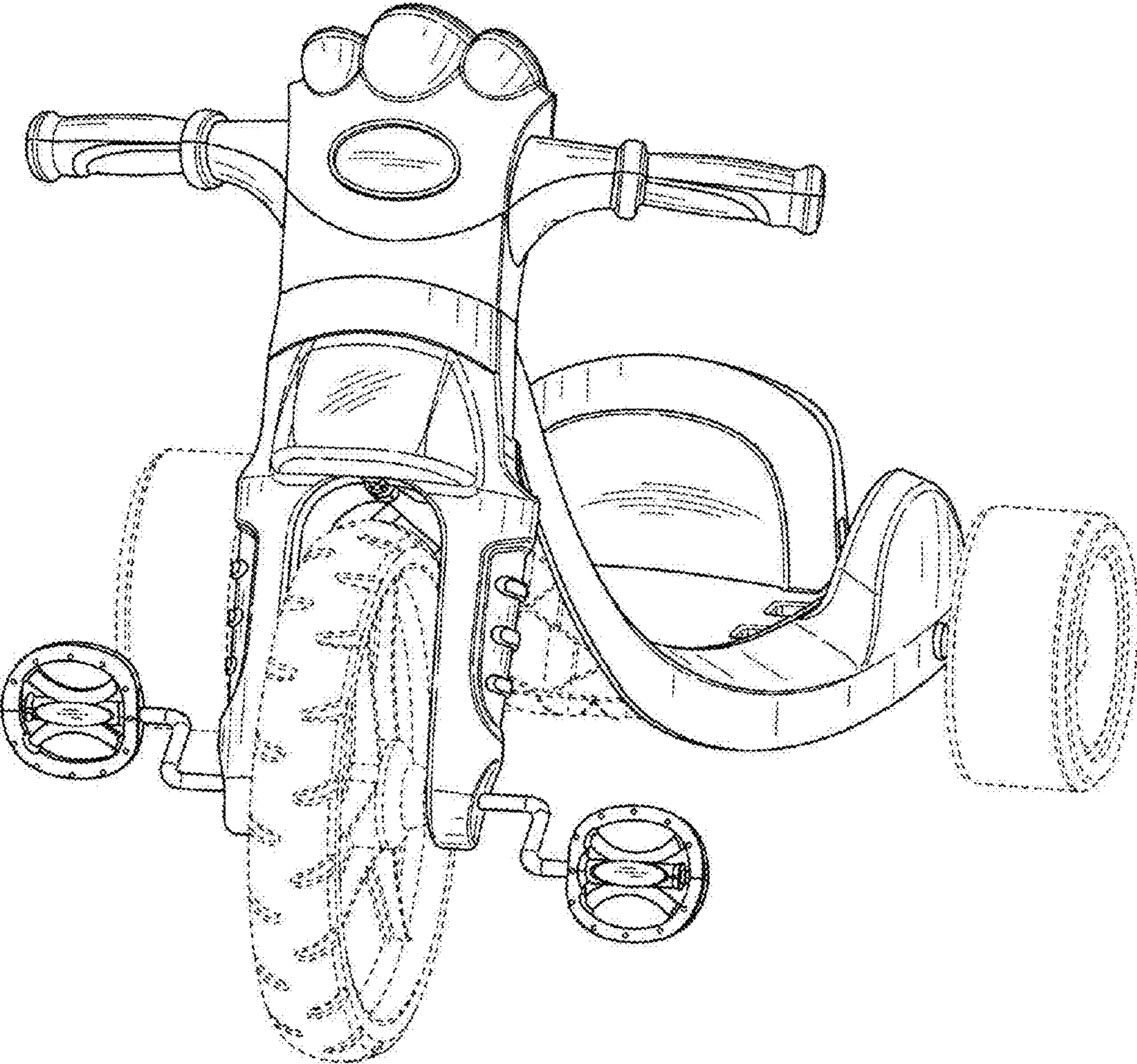


FIG. 1

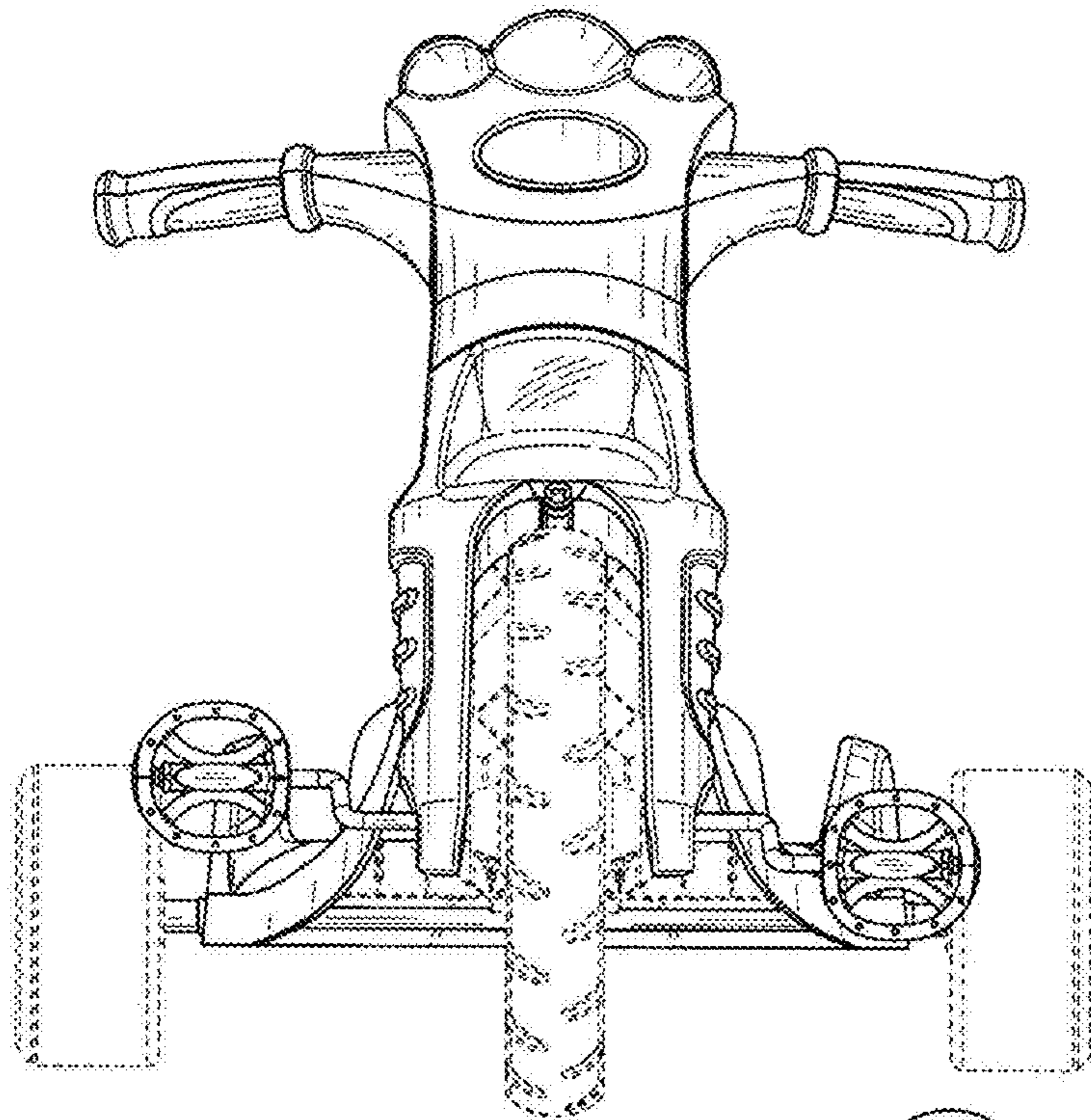


FIG. 2

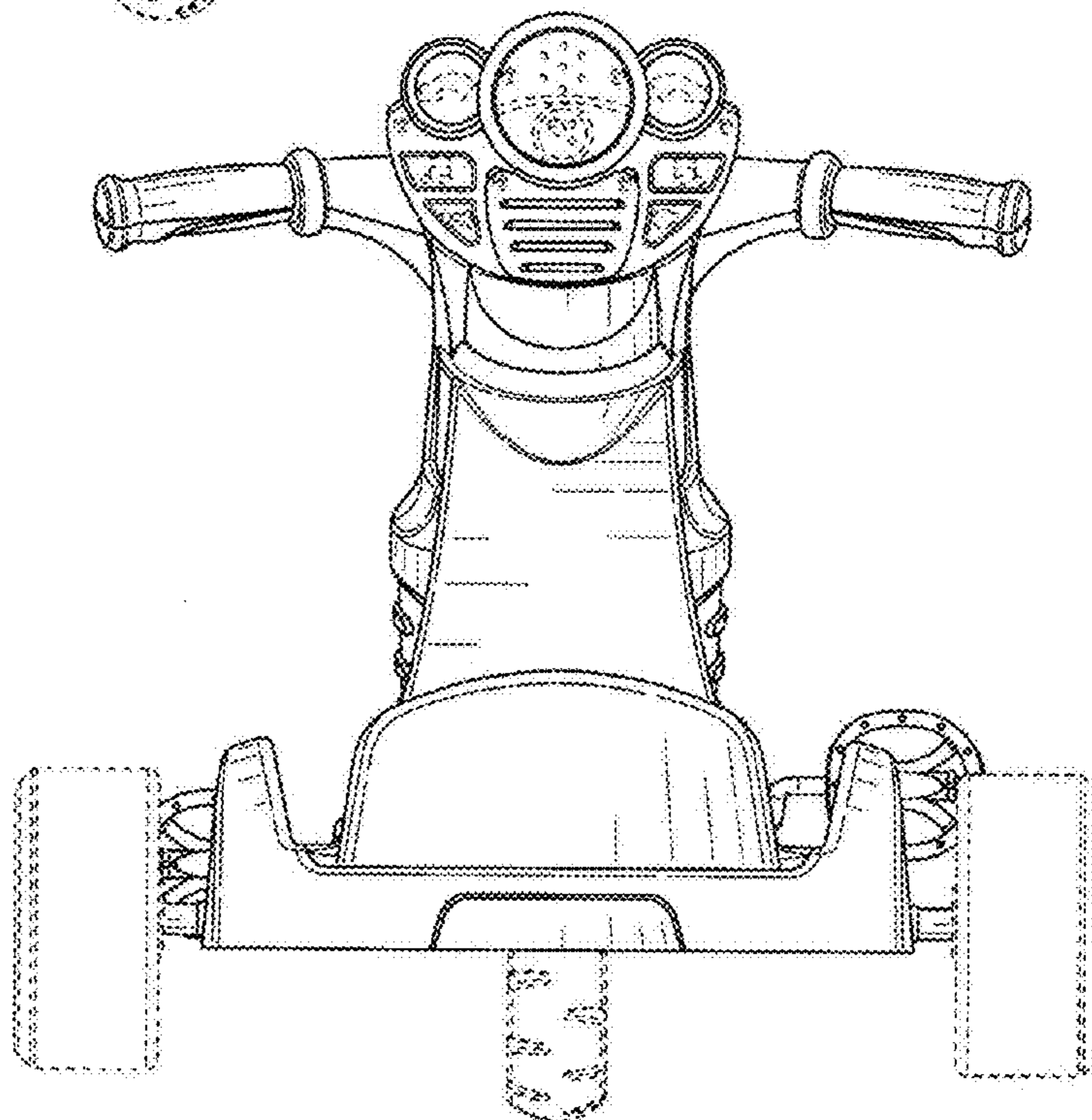


FIG. 3

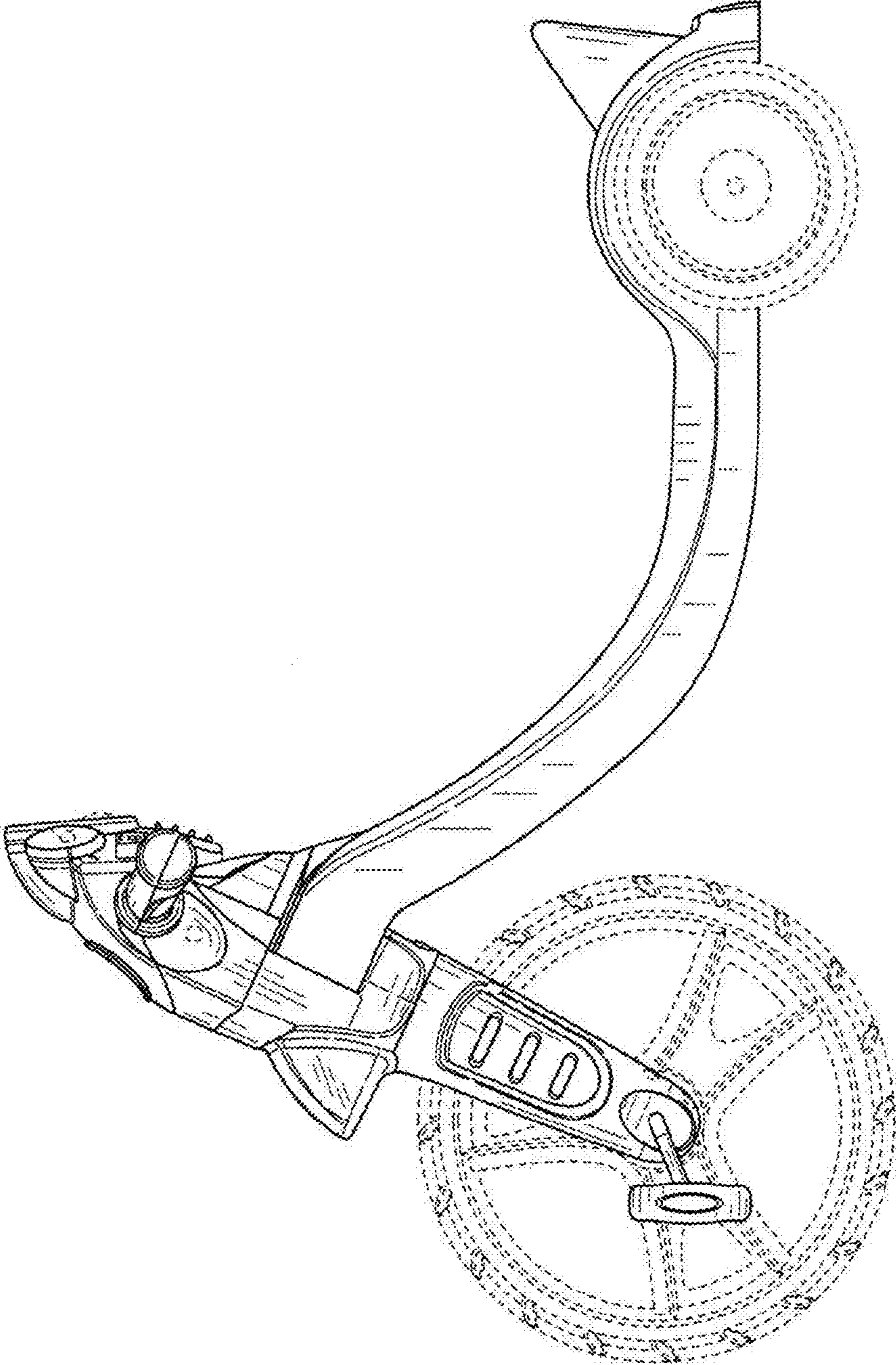


FIG. 4

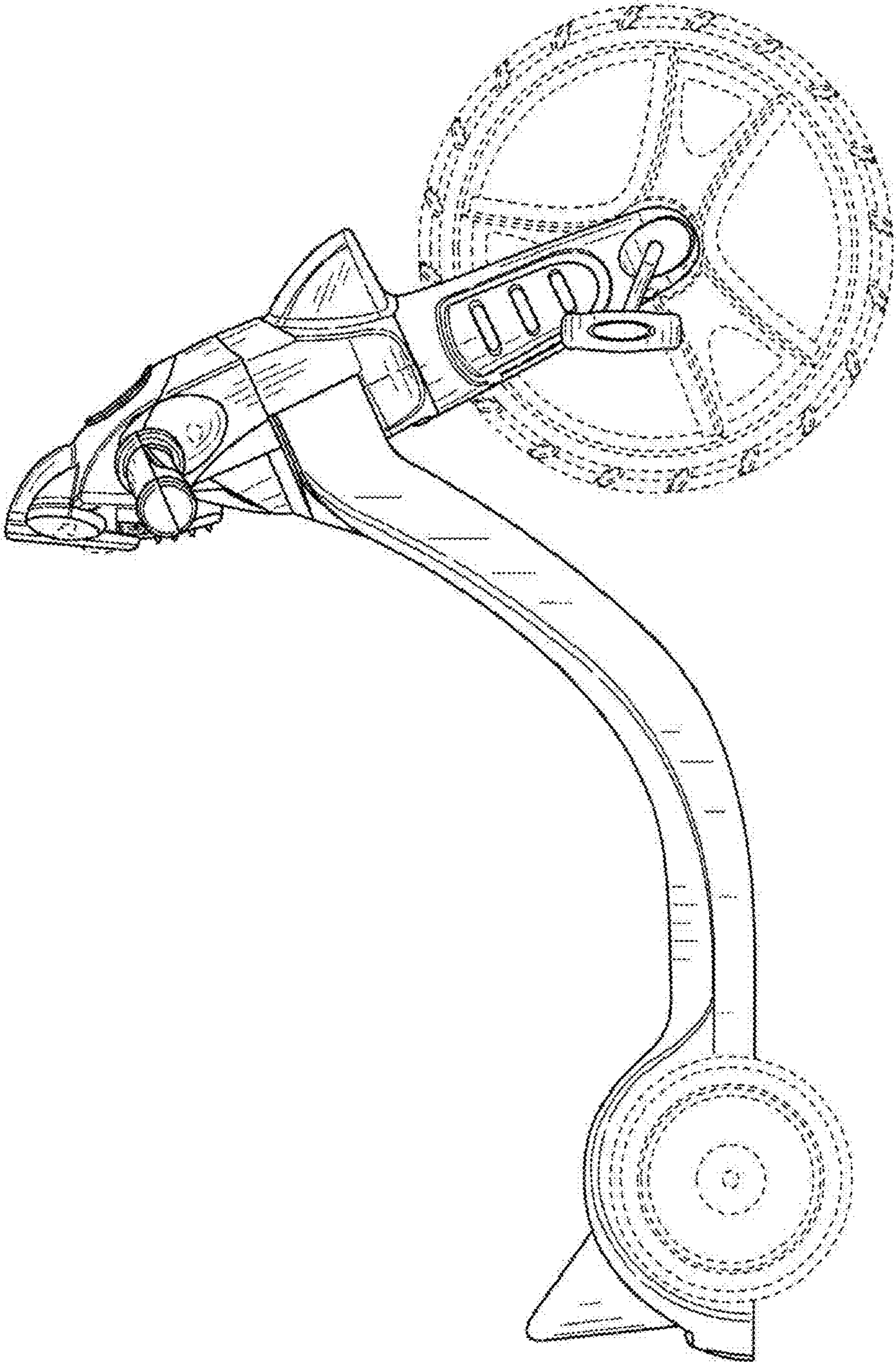


FIG. 5

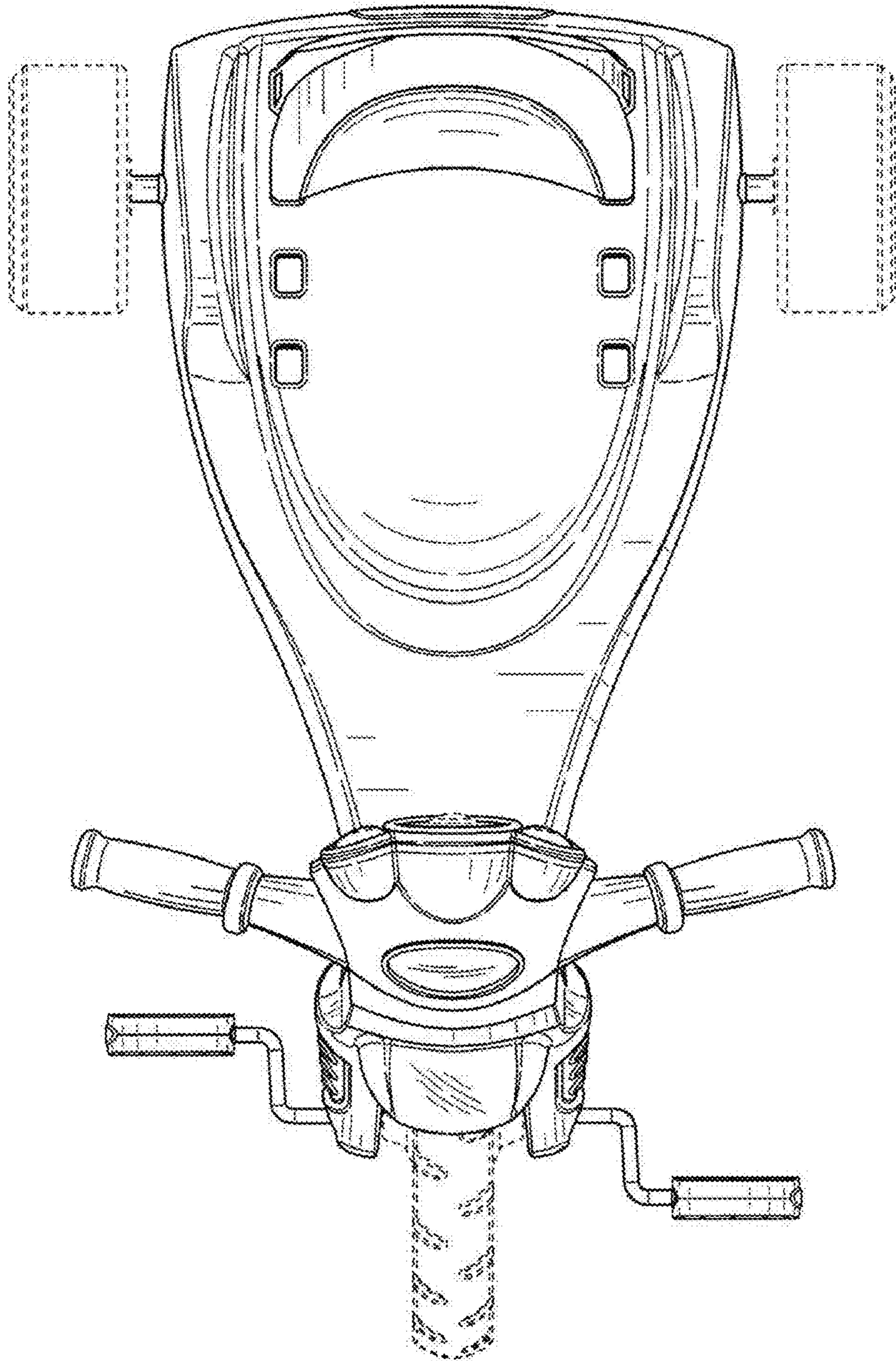


FIG. 6

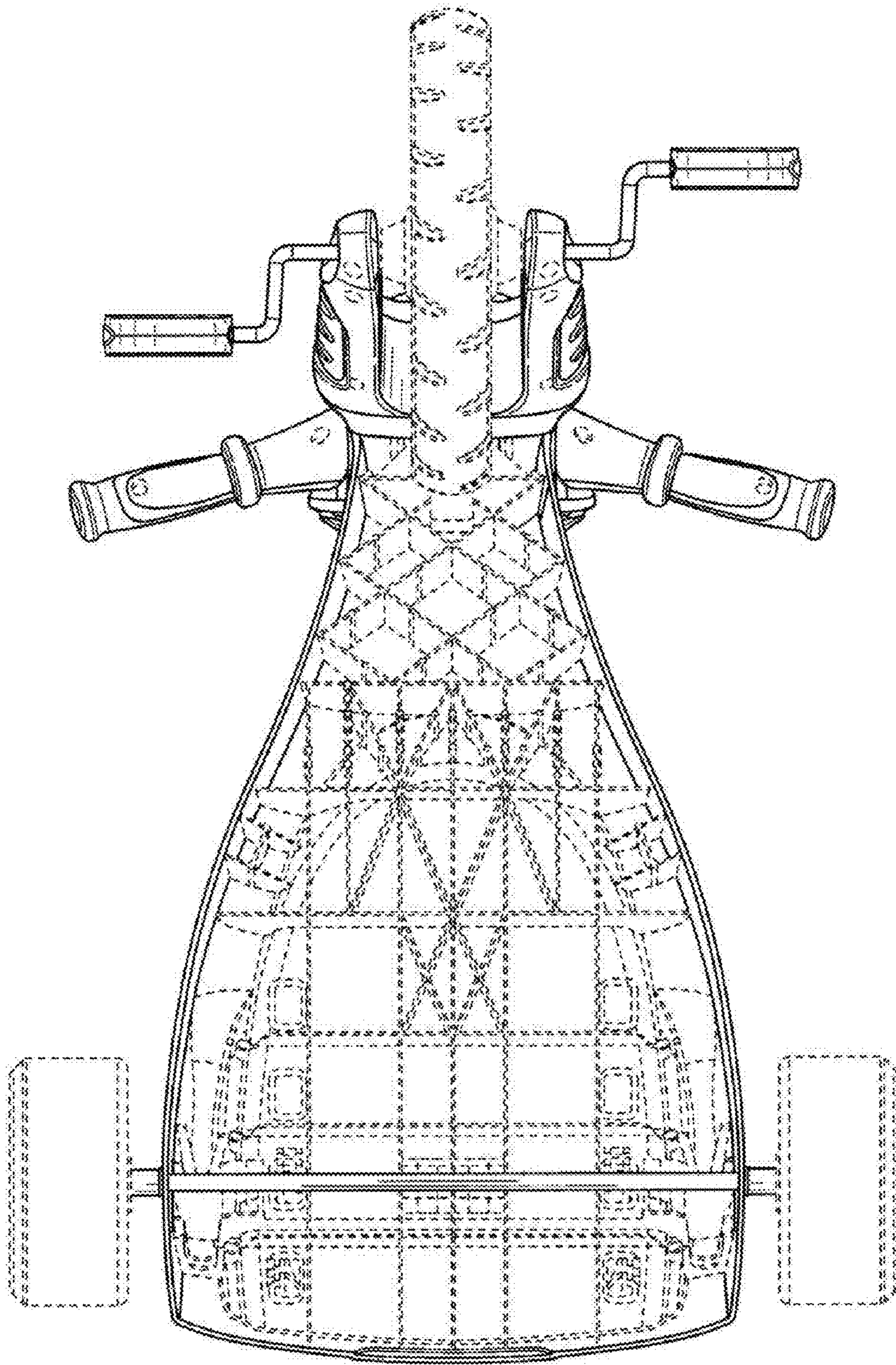


FIG. 7