



US00D659054S

(12) **United States Design Patent**  
**Agati et al.**

(10) **Patent No.:** **US D659,054 S**

(45) **Date of Patent:** **\*\* May 8, 2012**

(54) **TRICYCLE**

(75) Inventors: **Joseph Agati**, Chicago, IL (US);  
**Edward Paramadilok**, Chicago, IL  
(US); **Todd Herlitz**, Chicago, IL (US)

(73) Assignee: **Radio Flyer Inc.**, Chicago, IL (US)

(\*\*) Term: **14 Years**

(21) Appl. No.: **29/396,501**

(22) Filed: **Jun. 30, 2011**

(51) **LOC (9) Cl.** ..... **12-11**

(52) **U.S. Cl.** ..... **D12/112**

(58) **Field of Classification Search** ..... D12/112,  
D12/113; D21/423, 432, 435, 538; 280/1.184,  
280/67, 239, 259, 274-280, 281.1, 282-288,  
280/288.1-288.3, 827, 828, 202, 62; 446/440  
See application file for complete search history.

(56) **References Cited**

**U.S. PATENT DOCUMENTS**

D300,619 S \* 4/1989 Phinney et al. .... D12/112  
D337,973 S \* 8/1993 Mariol ..... D12/112  
D435,235 S \* 12/2000 Matias De Oliveira ..... D12/112

D484,073 S \* 12/2003 Heinemann et al. .... D12/112  
D485,513 S \* 1/2004 de Oliveira ..... D12/112  
D582,489 S \* 12/2008 Badanjo ..... D21/435  
D645,381 S \* 9/2011 Bricker et al. .... D12/112

\* cited by examiner

*Primary Examiner* — Susan M Lee

*Assistant Examiner* — Linda G. Brooks

(74) *Attorney, Agent, or Firm* — R. Blake Johnston, Esq.;  
DLA Piper US LLP

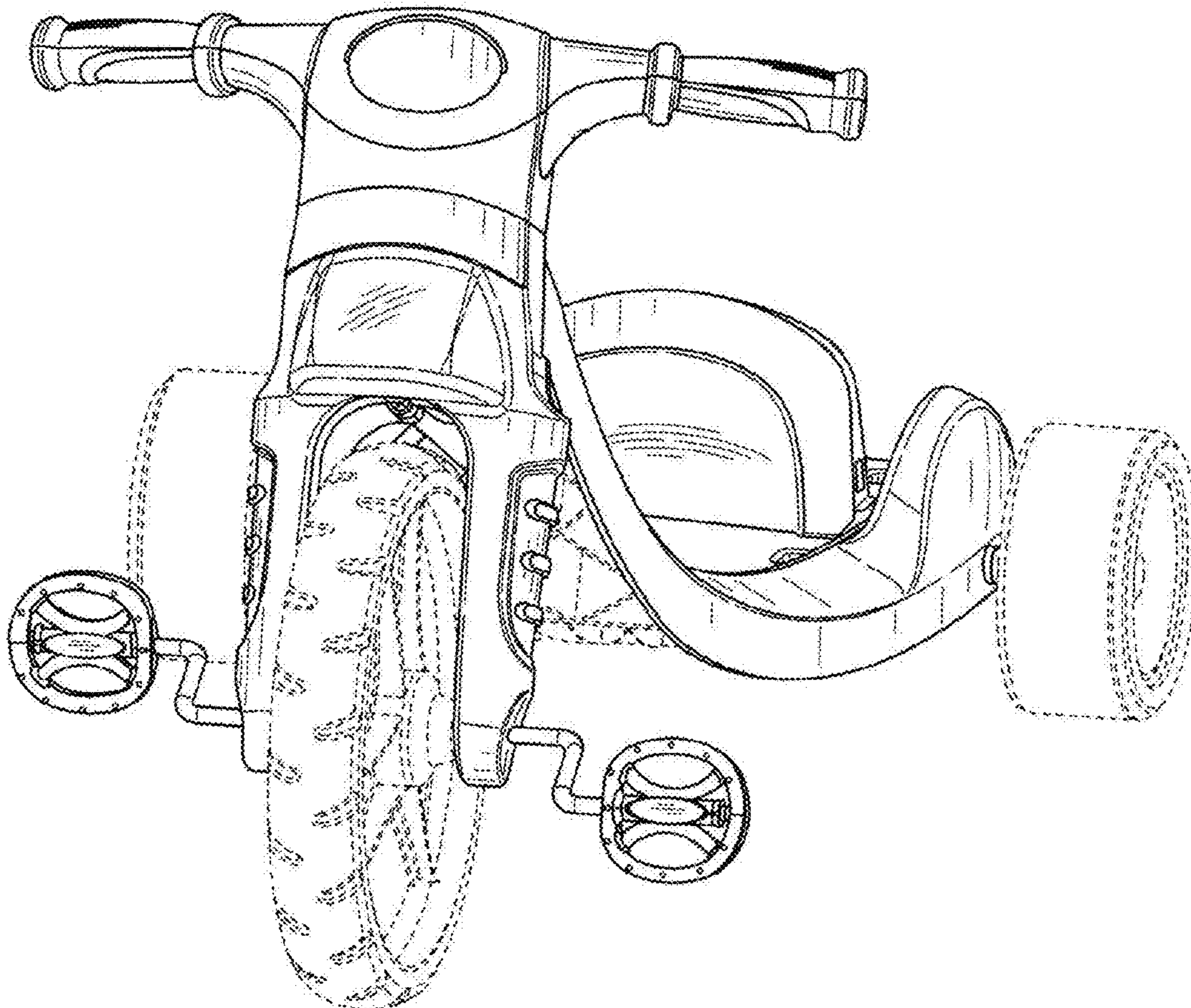
(57) **CLAIM**

The ornamental design for a tricycle, as shown and described.

**DESCRIPTION**

FIG. 1 is a perspective view of the tricycle;  
FIG. 2 is a front elevational view of the tricycle;  
FIG. 3 is a rear elevational view of the tricycle;  
FIG. 4 is a left side elevational view of the tricycle;  
FIG. 5 is a right side elevational view of the tricycle;  
FIG. 6 is a top plan view of the tricycle; and,  
FIG. 7 is a bottom plan view of the tricycle.  
The features shown in broken lines form no part of the  
claimed design.

**1 Claim, 6 Drawing Sheets**



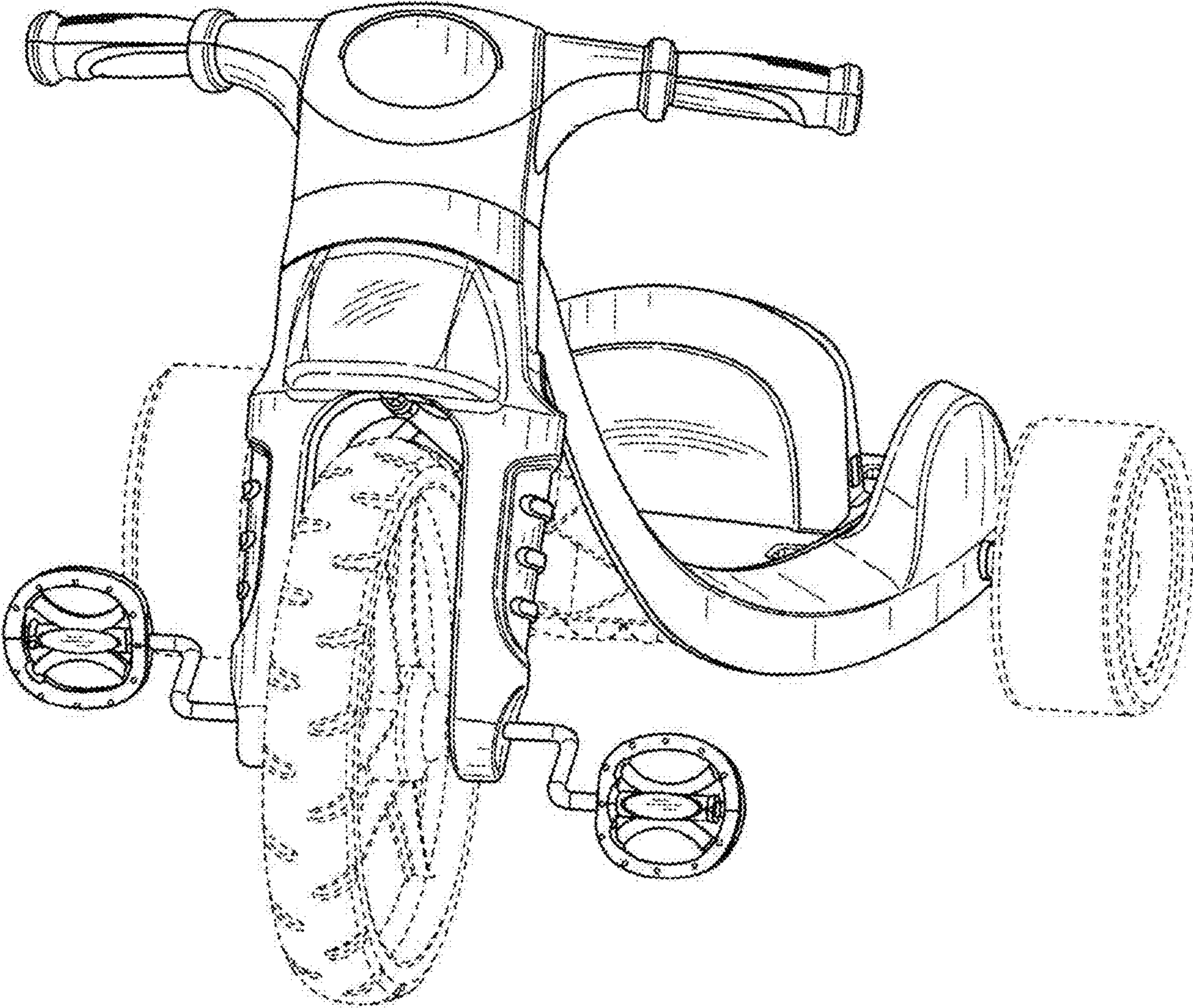


FIG. 1



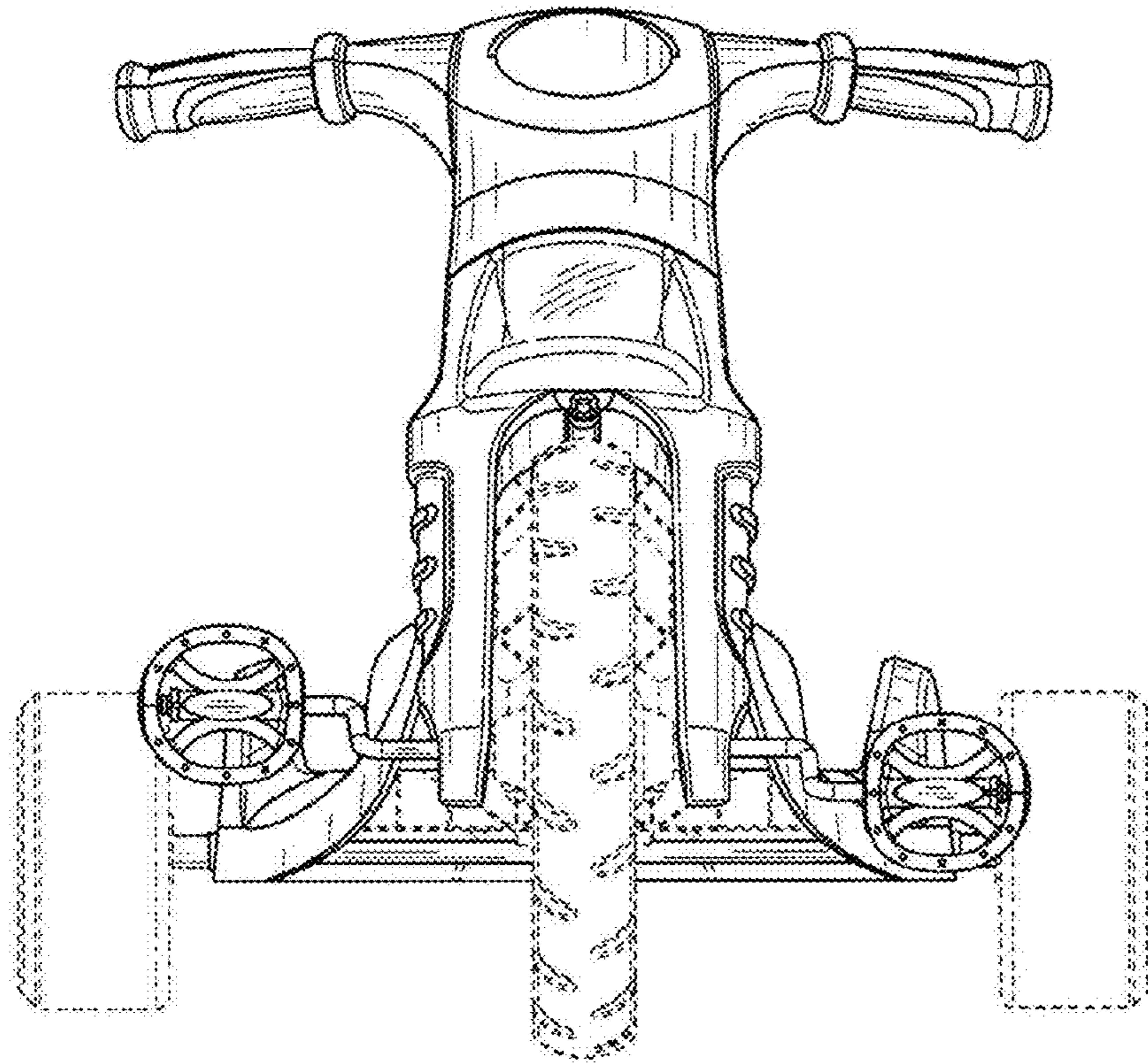
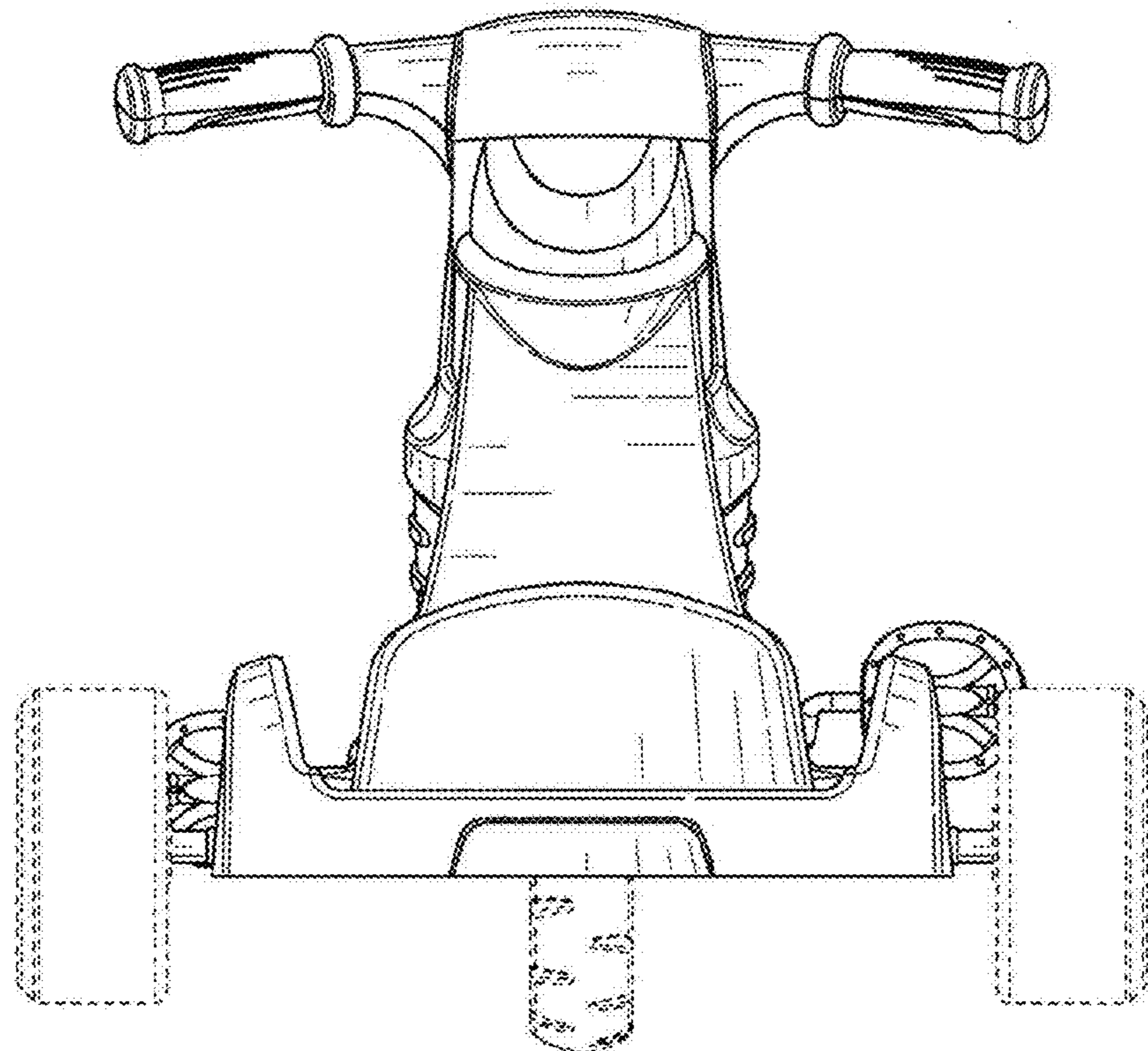


FIG. 3



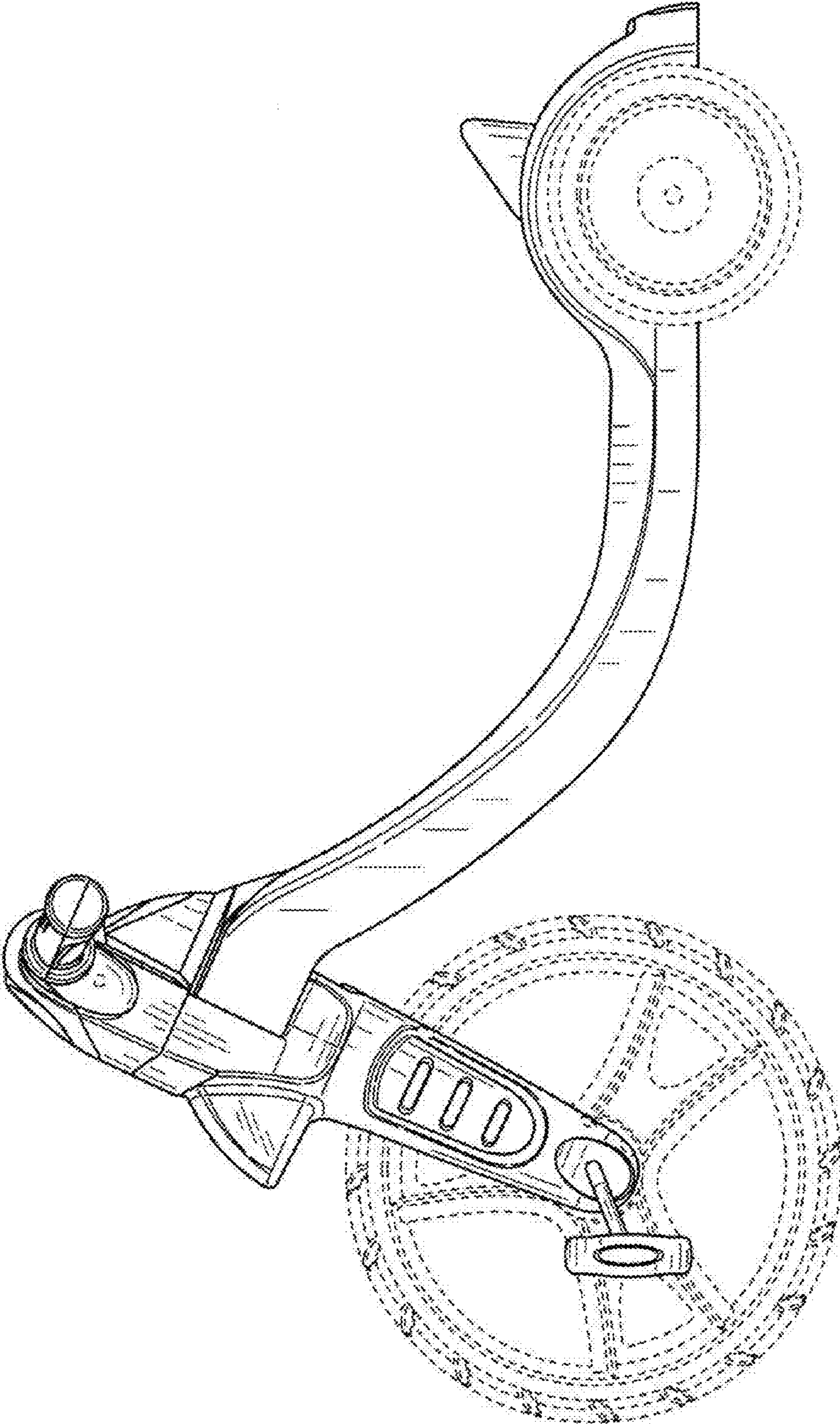


FIG. 4



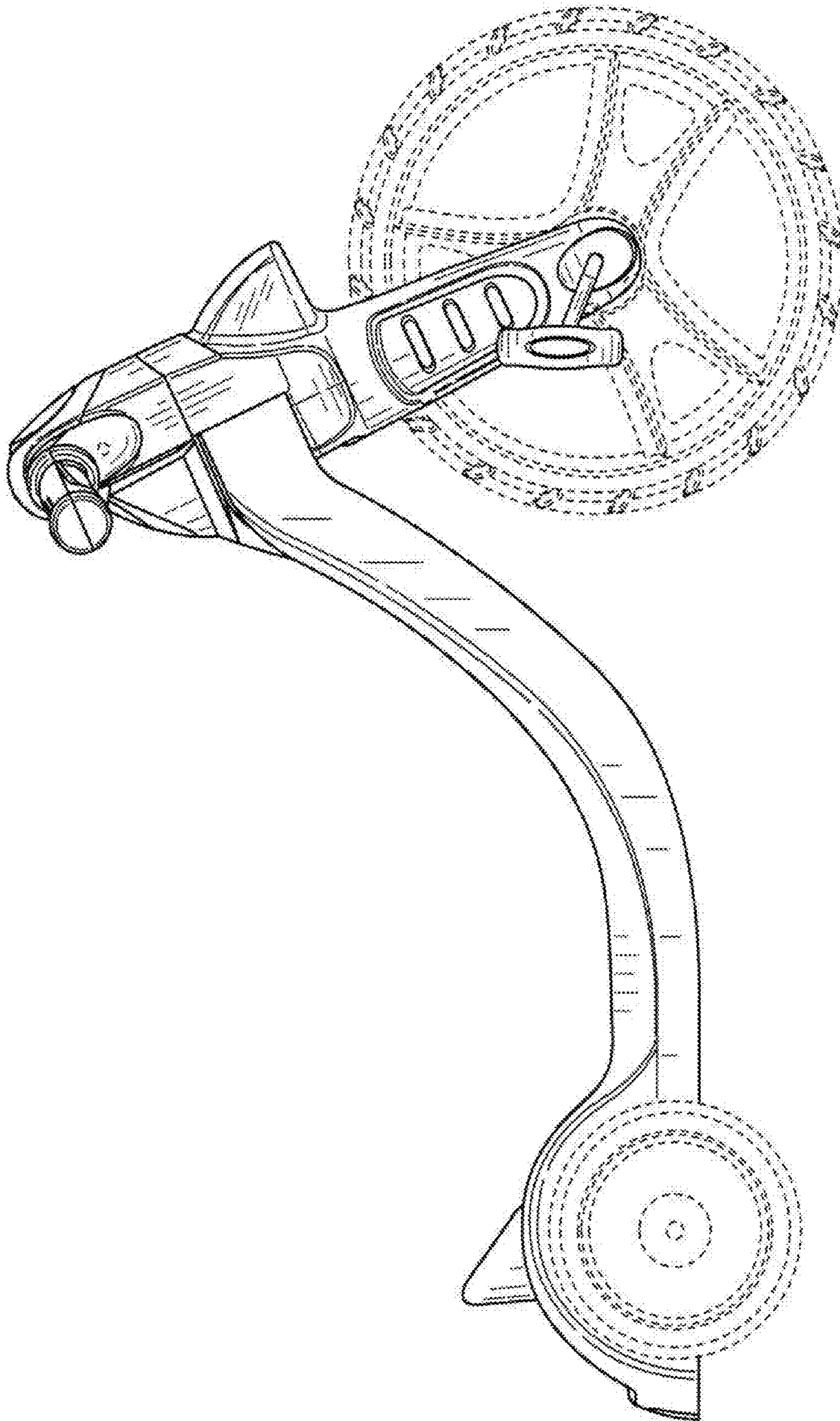


FIG. 5

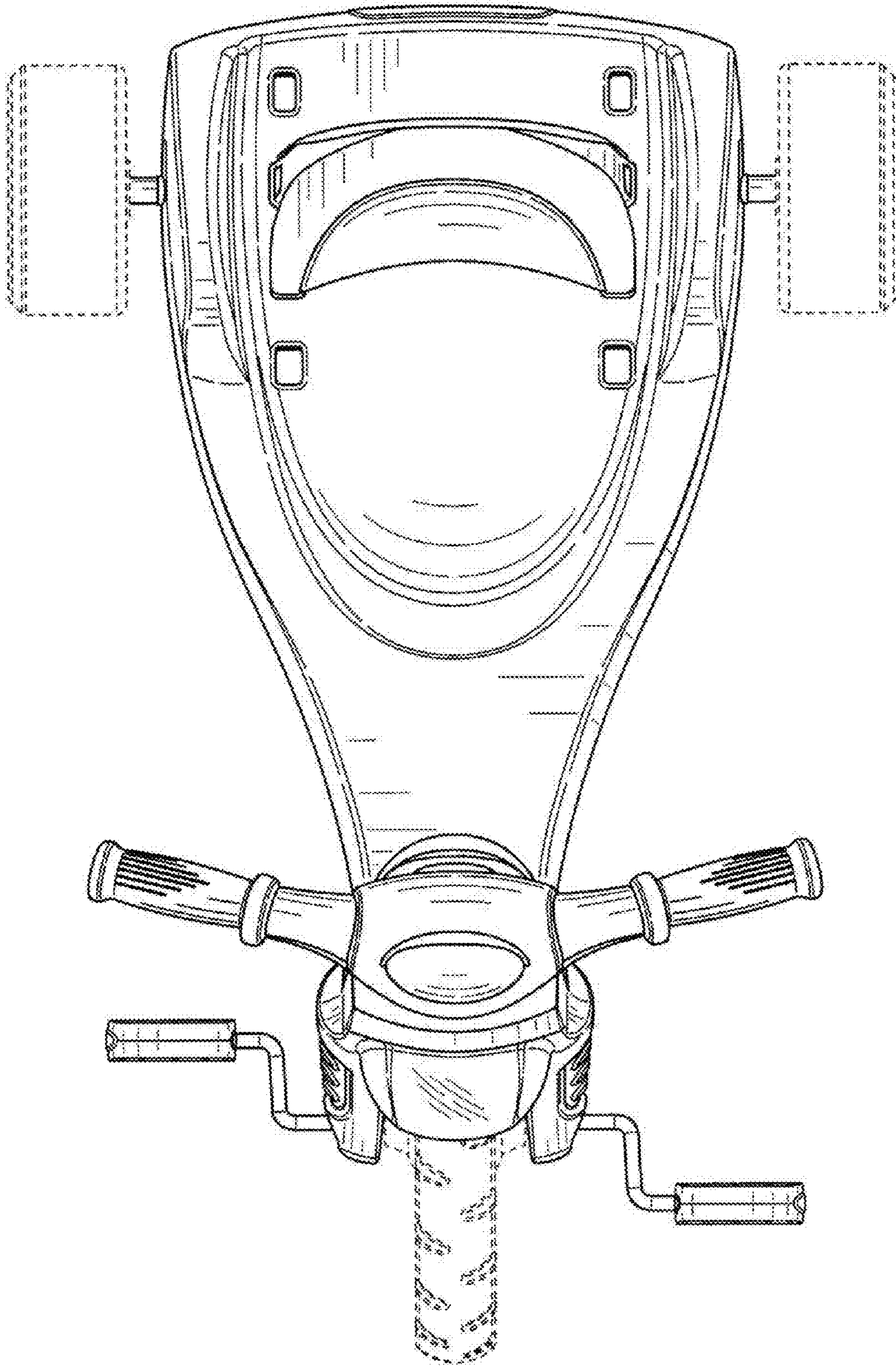


FIG. 6



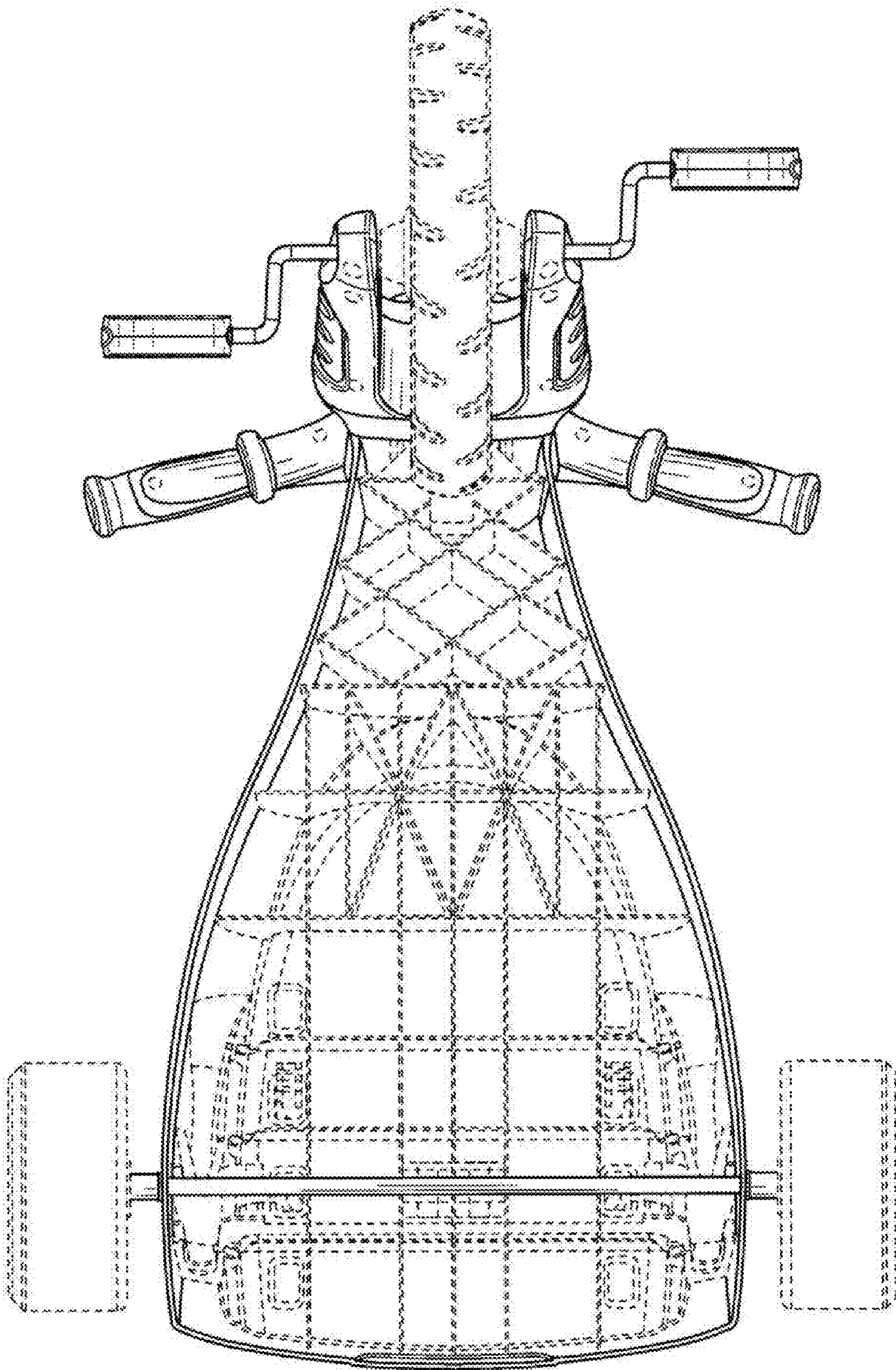


FIG. 7