



US00D659052S

(12) **United States Design Patent**
Ware et al.

(10) **Patent No.:** **US D659,052 S**
(45) **Date of Patent:** **** May 8, 2012**

(54) **VEHICLE BODY**

(75) Inventors: **John H. Ware**, Sao Paulo (BR);
Matthew J. Noone, Rochester Hills, MI
(US); **Steve S. Kim**, Shelby Township,
MI (US); **Daniel Sizuo Nozaki**, Sao
Paulo (BR); **Carlos M. Barba Franco**,
Sao Paulo (BR)

(73) Assignee: **GM Global Technology Operations
LLC**, Detroit, MI (US)

(**) Term: **14 Years**

(21) Appl. No.: **29/366,674**

(22) Filed: **Jul. 28, 2010**

Related U.S. Application Data

(63) Continuation-in-part of application No. 29/355,932,
filed on Feb. 17, 2010, now abandoned.

(51) **LOC (9) Cl.** **12-08**

(52) **U.S. Cl.** **D12/98**

(58) **Field of Classification Search** D12/86,
D12/90-92, 98; 296/181.1, 181.5, 183.1,
296/37.6

See application file for complete search history.

(56) **References Cited**

U.S. PATENT DOCUMENTS

D526,247 S	8/2006	White	
D570,742 S	6/2008	Takagi et al.	
D570,743 S	6/2008	Takagi et al.	
D586,699 S *	2/2009	Opfer et al.	D12/98
D588,501 S *	3/2009	Krugger et al.	D12/98
D589,407 S *	3/2009	Krugger et al.	D12/98
D596,932 S	7/2009	Kleinsasser	
D600,595 S	9/2009	Nakamura et al.	

D601,925 S	10/2009	O'Donnell	
D604,203 S	11/2009	O'Donnell	
D607,783 S *	1/2010	Roller et al.	D12/98
D618,595 S *	6/2010	Ware et al.	D12/98
D626,460 S *	11/2010	Bischoff et al.	D12/98

FOREIGN PATENT DOCUMENTS

TW	D115972 S	3/2007
TW	D119665 S	11/2007
TW	D129499 S	7/2009

OTHER PUBLICATIONS

English Translation of TIPO's Search Report for Taiwan Design
Patent Application No. 099304055; dated Apr. 26, 2011; 1 page.

* cited by examiner

Primary Examiner — Melody N Brown

(74) *Attorney, Agent, or Firm* — Reising Ethington P.C.

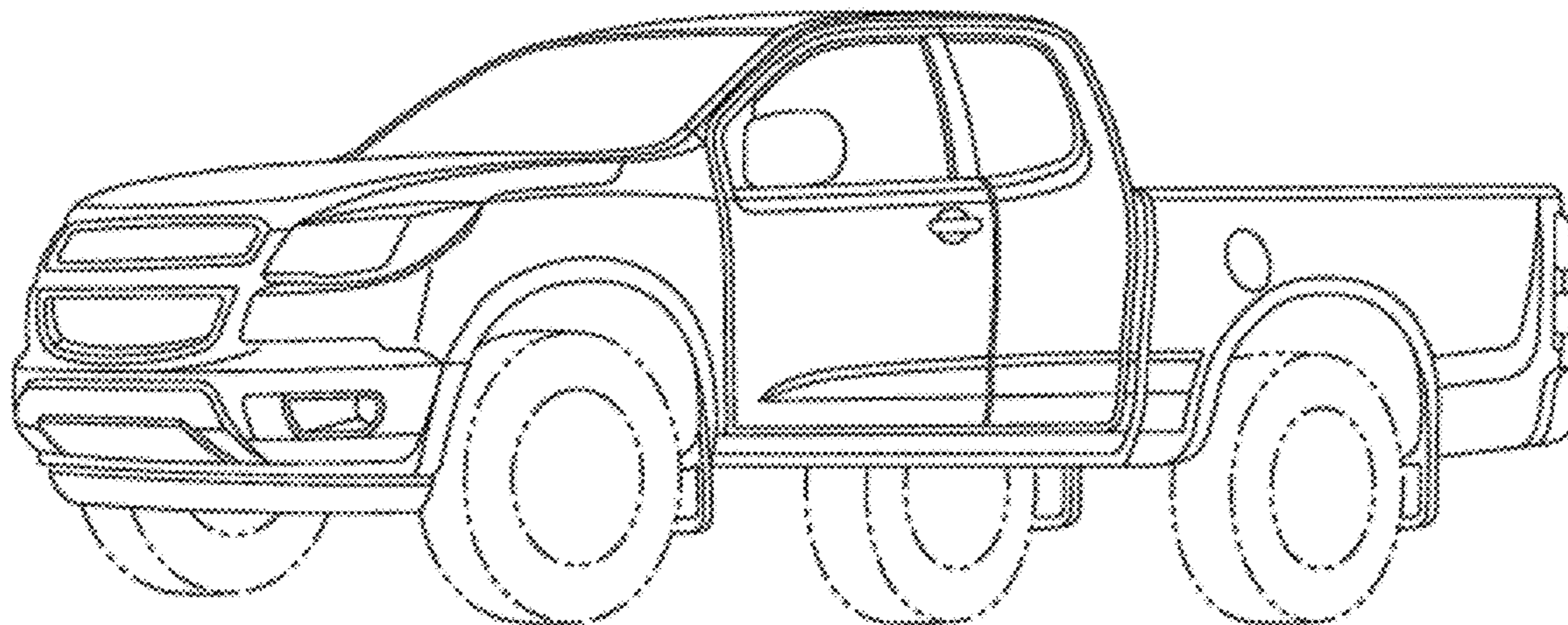
(57) **CLAIM**

The ornamental design for a vehicle body, as shown and
described.

DESCRIPTION

FIG. 1 is a front view of a vehicle body;
FIG. 2 is a left front perspective view of the vehicle body of
FIG. 1;
FIG. 3 is a left side view of the vehicle body of FIG. 1;
FIG. 4 is a left rear perspective view of the vehicle body of
FIG. 1;
FIG. 5 is a rear view of the vehicle body of FIG. 1; and,
FIG. 6 is a top view of the vehicle body of FIG. 1.
In the drawings, the elements shown in broken lines are for
illustrative purposes only and form no part of the claimed
design.

1 Claim, 6 Drawing Sheets



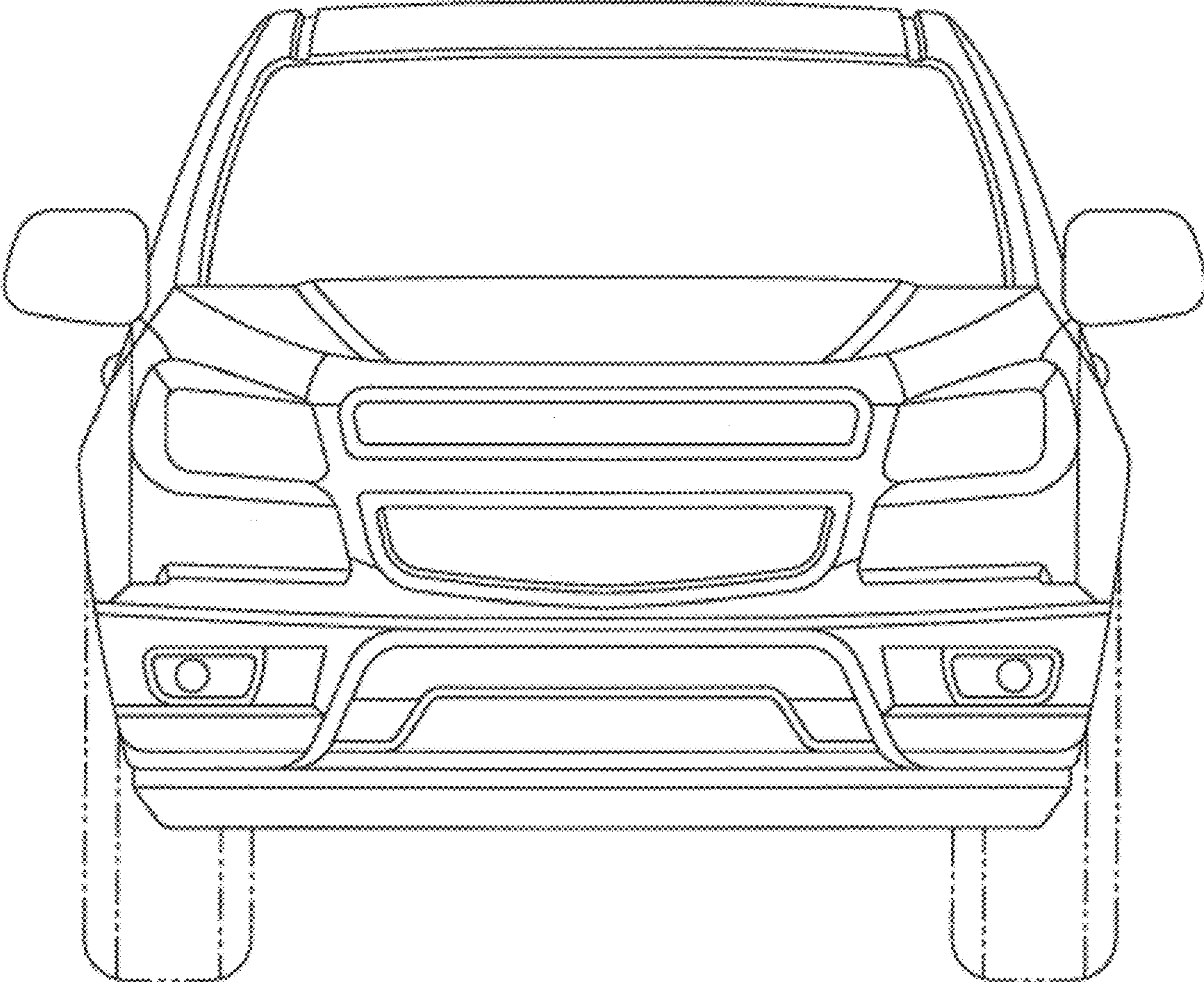


Fig-1

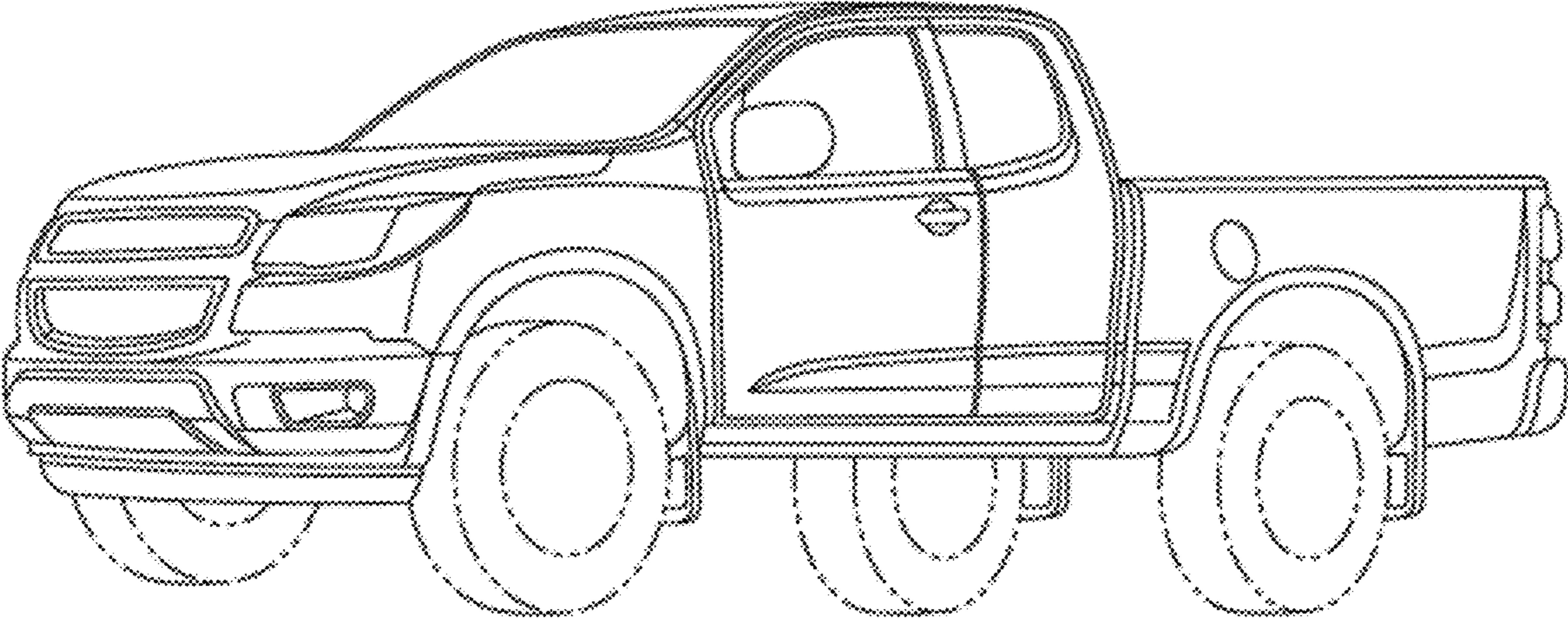


Fig-2

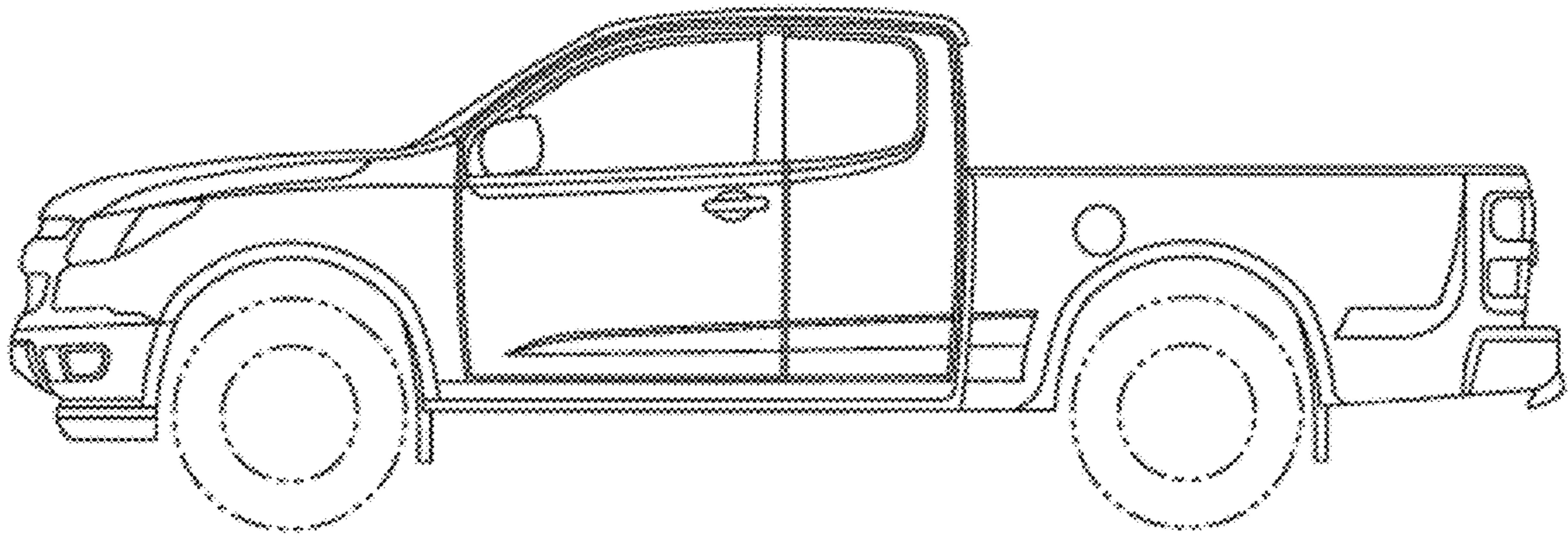


Fig-3

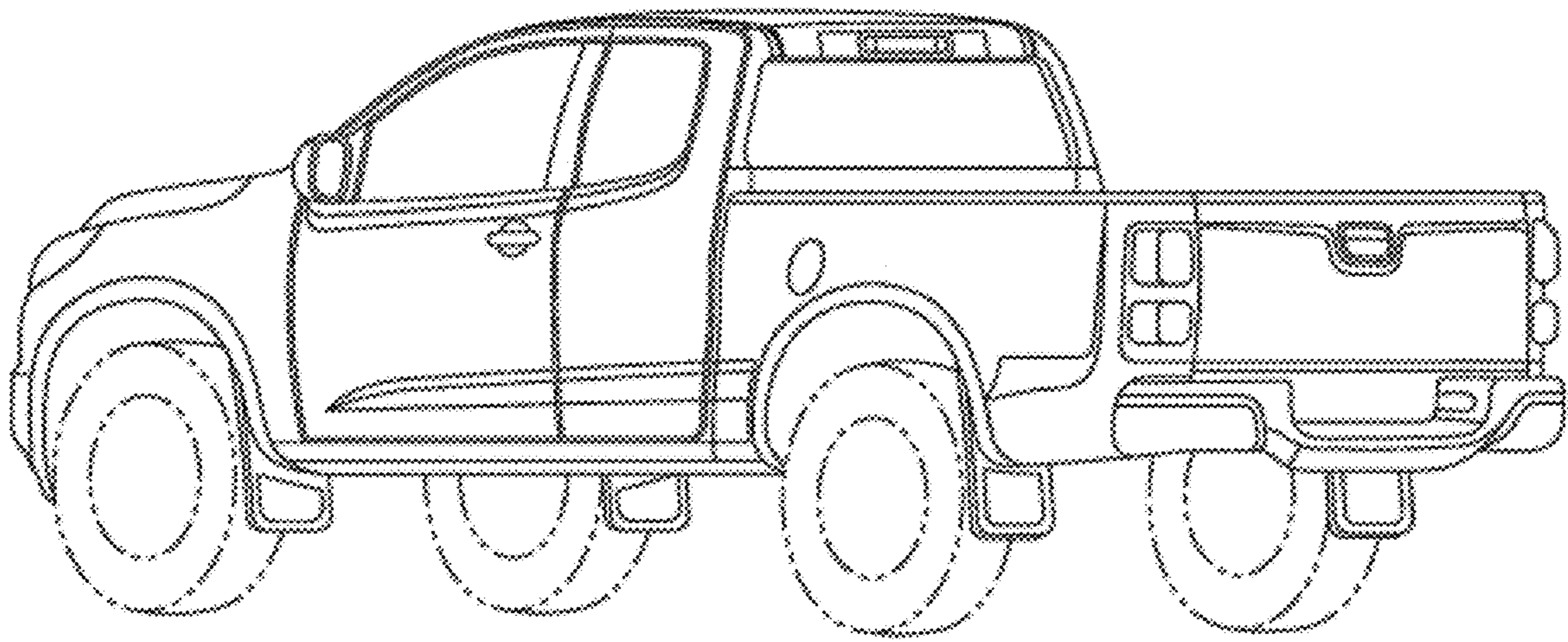


Fig-4

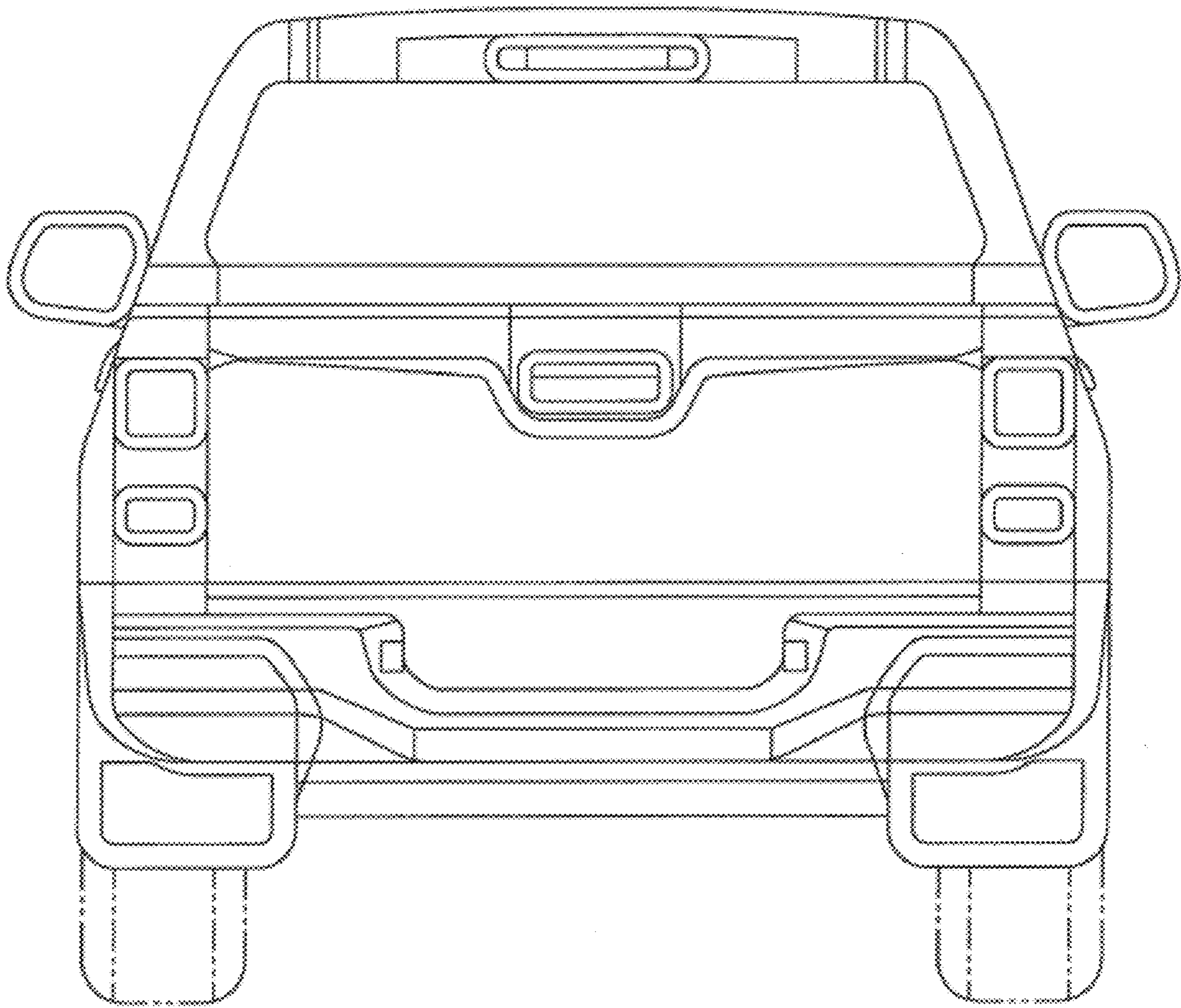


Fig-5

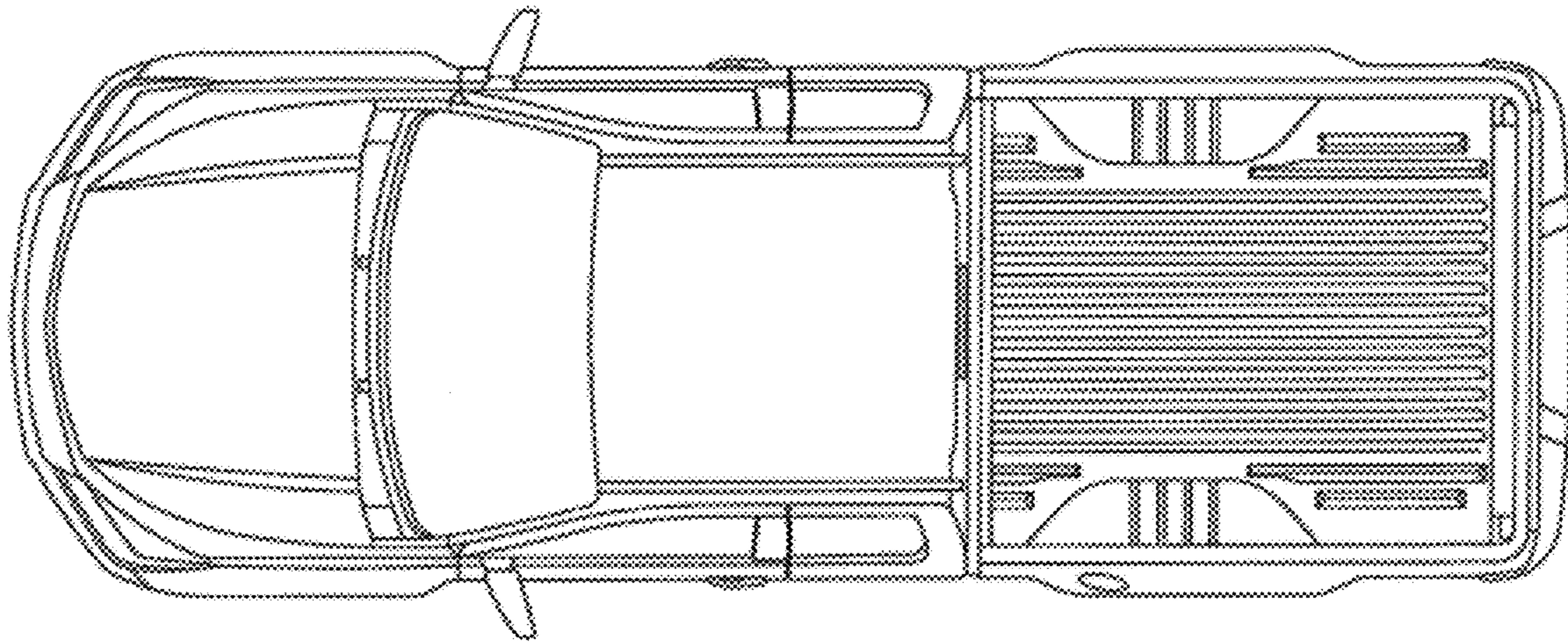


Fig-6