



US00D659051S

(12) **United States Design Patent**
Hamada et al.

(10) **Patent No.:** **US D659,051 S**

(45) **Date of Patent:** **** *May 8, 2012**

(54) **SLIDER FOR SLIDE FASTENER**

(75) Inventors: **Yoshikazu Hamada**, Toyama-ken (JP);
Yohei Miyazaki, Toyama-ken (JP)

(73) Assignee: **YKK Corporation** (JP)

(*) Notice: This patent is subject to a terminal disclaimer.

(**) Term: **14 Years**

(21) Appl. No.: **29/398,053**

(22) Filed: **Jul. 26, 2011**

(30) **Foreign Application Priority Data**

Jan. 26, 2011 (JP) D2011-001587

(51) **LOC (9) Cl.** **02-07**

(52) **U.S. Cl.** **D11/221**

(58) **Field of Classification Search** D11/200,
D11/201, 221; 24/381-383, 385-387, 414-417,
24/421-422, 427-431, 433; 2/265

See application file for complete search history.

(56) **References Cited**

U.S. PATENT DOCUMENTS

D304,023 S * 10/1989 Minami D11/221
D366,012 S * 1/1996 Aoki D11/221
D366,230 S * 1/1996 Aoki D11/221

D403,987 S * 1/1999 Minato D11/221
D498,434 S * 11/2004 Iwase D11/221
D510,298 S * 10/2005 Hamada et al. D11/221
D511,315 S * 11/2005 Hamada et al. D11/221
D643,332 S * 8/2011 Iwase D11/221
D644,957 S * 9/2011 Blackford et al. D11/221

FOREIGN PATENT DOCUMENTS

JP 831391 3/1992

* cited by examiner

Primary Examiner — Ralf Seifert

(74) *Attorney, Agent, or Firm* — Kilpatrick Townsend & Stockton LLP

(57) **CLAIM**

The ornamental design for a slider for slide fastener, as shown and described.

DESCRIPTION

FIG. 1 is a perspective view of the top, front and left side of a slider for slide fastener showing my (our) new design;

FIG. 2 is a front view thereof;

FIG. 3 is a rear view thereof;

FIG. 4 is a top plan view thereof;

FIG. 5 is a bottom view thereof; and,

FIG. 6 is a right side view thereof, the left side view being mirror image thereof.

The portions of the article in broken lines are shown for illustrative purposes only and form no part of the claimed design.

1 Claim, 4 Drawing Sheets



Fig. 1



Fig. 2

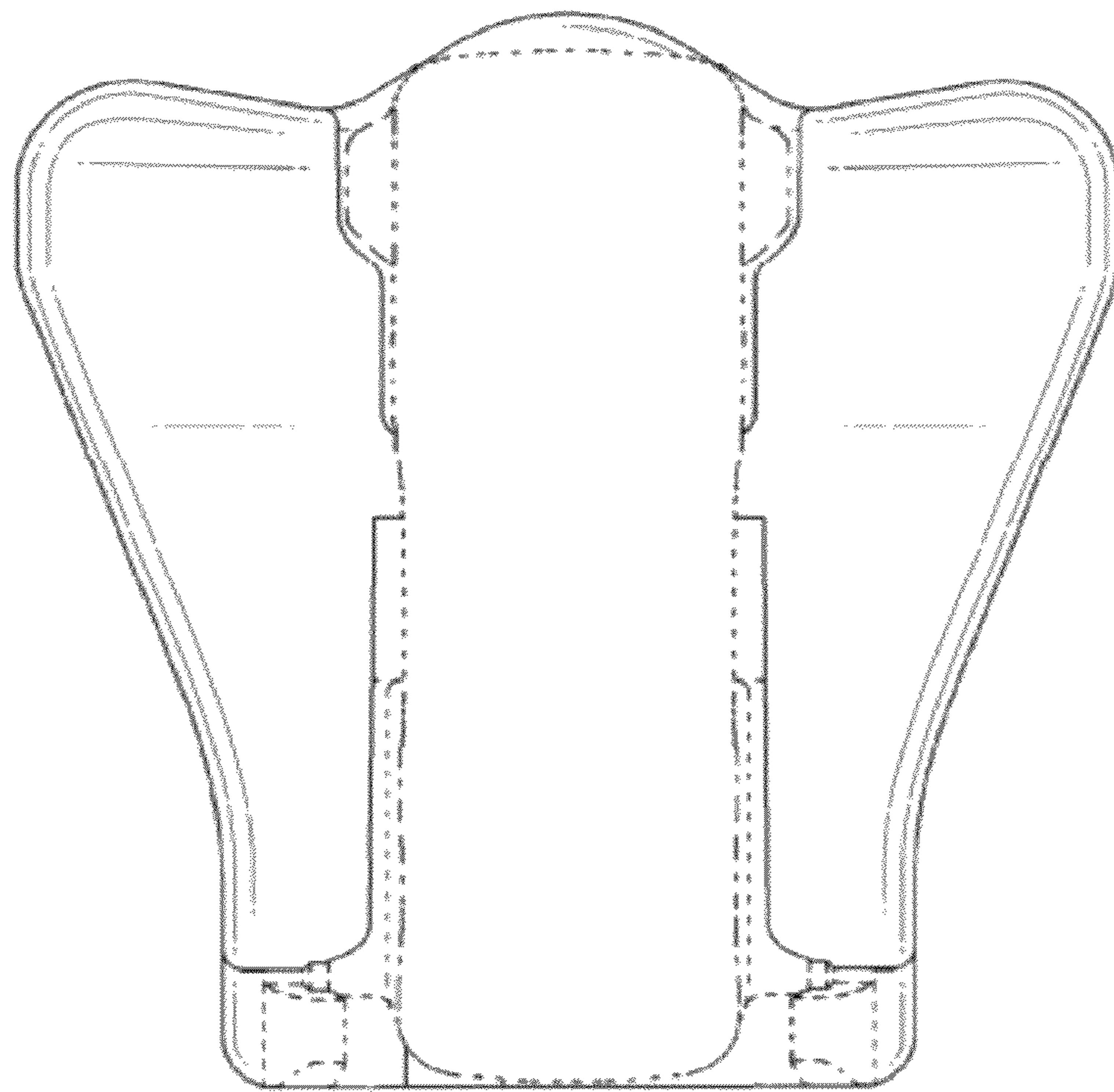


Fig. 3

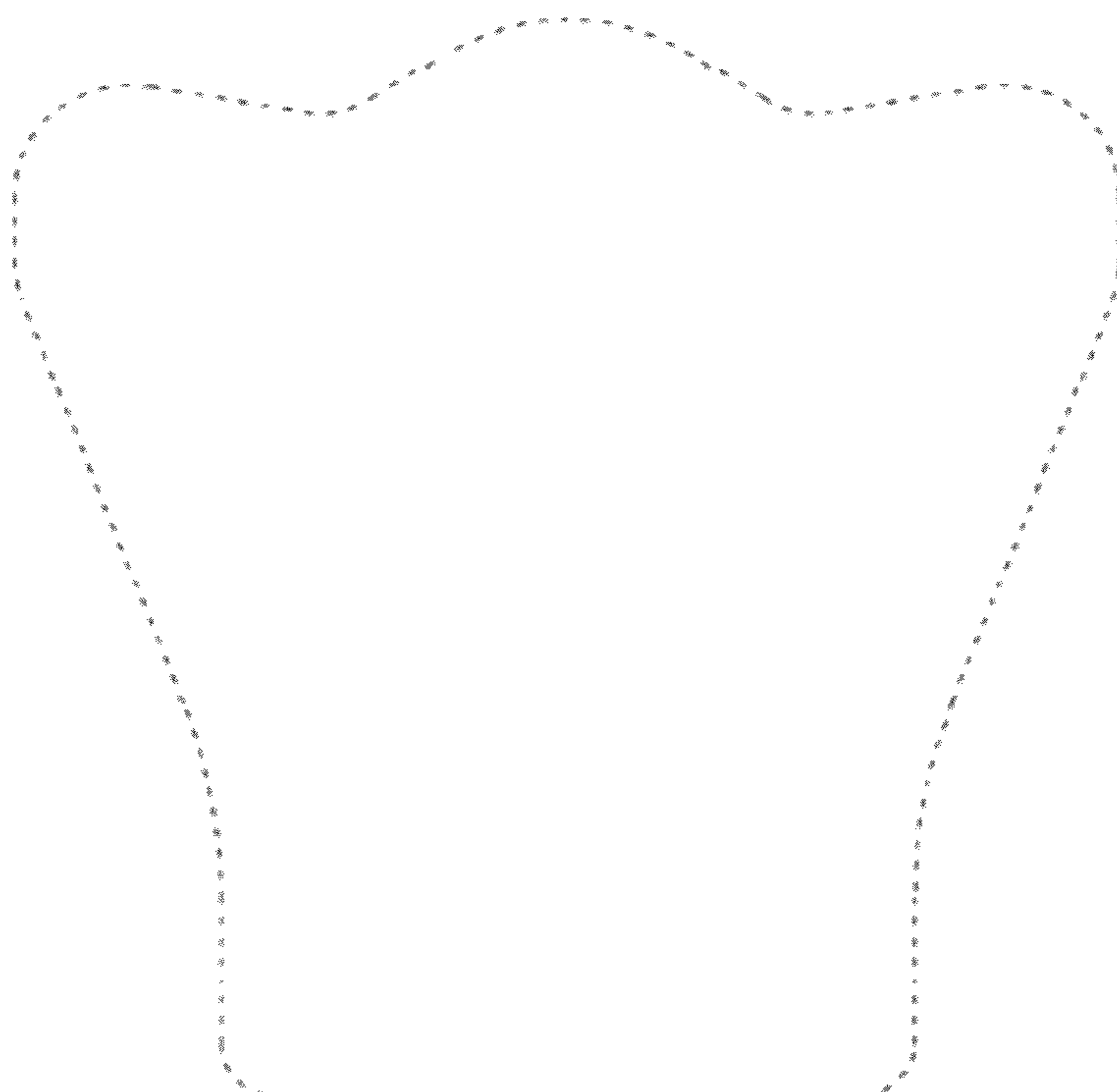


Fig. 4

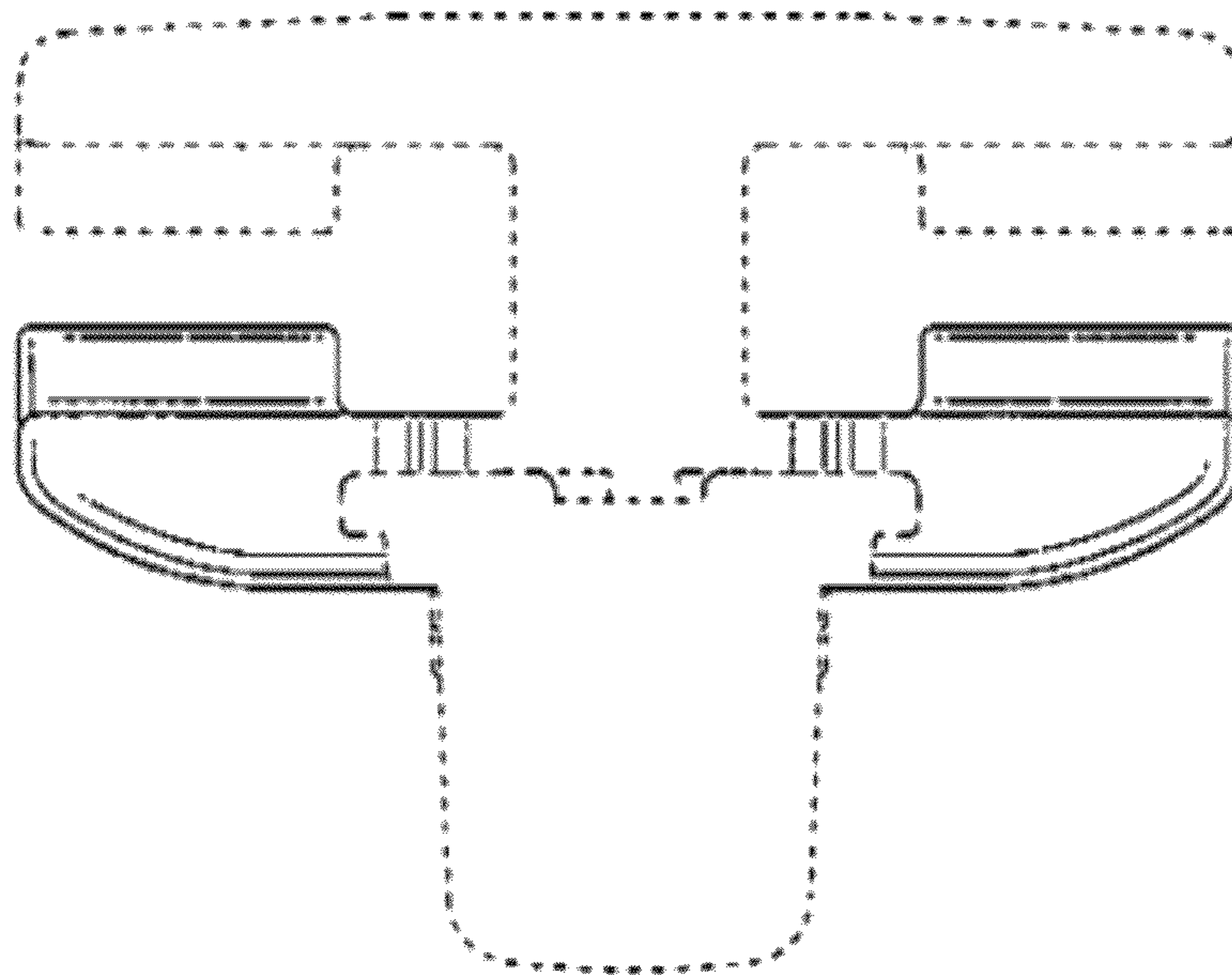


Fig. 5

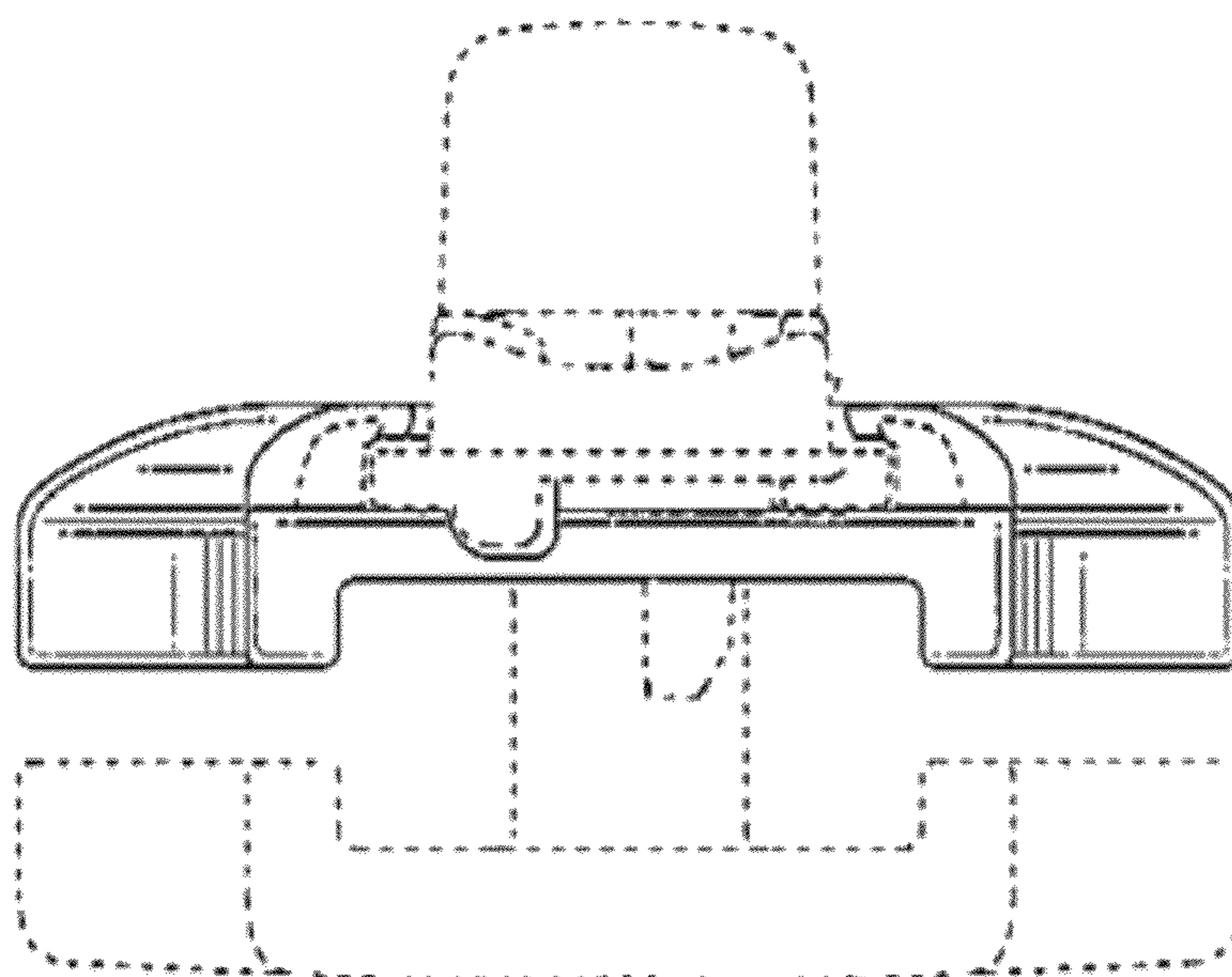


Fig. 6

