



US00D659050S

(12) **United States Design Patent**
Sussman et al.

(10) **Patent No.:** **US D659,050 S**

(45) **Date of Patent:** **** May 8, 2012**

(54) **RIBBON FLAG**

(76) Inventors: **Madelyn Sussman**, Edgewater, NJ (US);
Barbara Sussman, Hoosick Falls, NY
(US)

(**) Term: **14 Years**

(21) Appl. No.: **29/399,089**

(22) Filed: **Aug. 9, 2011**

(51) **LOC (9) Cl.** **11-05**

(52) **U.S. Cl.** **D11/166**

(58) **Field of Classification Search** D11/165–183;
D20/16, 17, 27, 28, 41–43; 40/218, 584,
40/604, 606.1, 606.15, 607.01, 607.03, 607.05;
116/173–175; 248/200, 218.4, 511, 518–521,
248/534–539

See application file for complete search history.

D452,184	S *	12/2001	Schneider	D11/165
6,446,930	B1 *	9/2002	Li	248/519
6,748,896	B2 *	6/2004	Hunsley	116/173
D495,748	S *	9/2004	Leland	D20/29
D496,878	S *	10/2004	Howard et al.	D11/166
6,923,141	B1 *	8/2005	Staats et al.	116/173
D550,289	S *	9/2007	Prokop	D20/41
D585,329	S *	1/2009	Flanagan et al.	D11/166
D638,745	S *	5/2011	Nelson et al.	D11/166
2011/0185960	A1 *	8/2011	Priegel	116/173
2011/0197803	A1 *	8/2011	May	116/173

* cited by examiner

Primary Examiner — Karen S Acker

(74) *Attorney, Agent, or Firm* — Millen, White, Zelano,
Branigan, P.C.

(57) **CLAIM**

The ornamental design for a ribbon flag, as shown and described.

(56) **References Cited**

U.S. PATENT DOCUMENTS

D55,259	S *	5/1920	Ekman	D12/199
1,828,892	A *	10/1931	Felton	116/173
3,016,035	A *	1/1962	Asbury	116/63 P
D207,477	S *	4/1967	McLarty	D20/21
3,370,369	A *	2/1968	Look	40/607.12
D342,549	S *	12/1993	Hofman	D20/41
D362,411	S *	9/1995	Doyle	D11/166
D421,730	S *	3/2000	Vance	D11/166
D432,945	S *	10/2000	Icenhour	D11/166
D438,820	S *	3/2001	Goulding	D11/166

DESCRIPTION

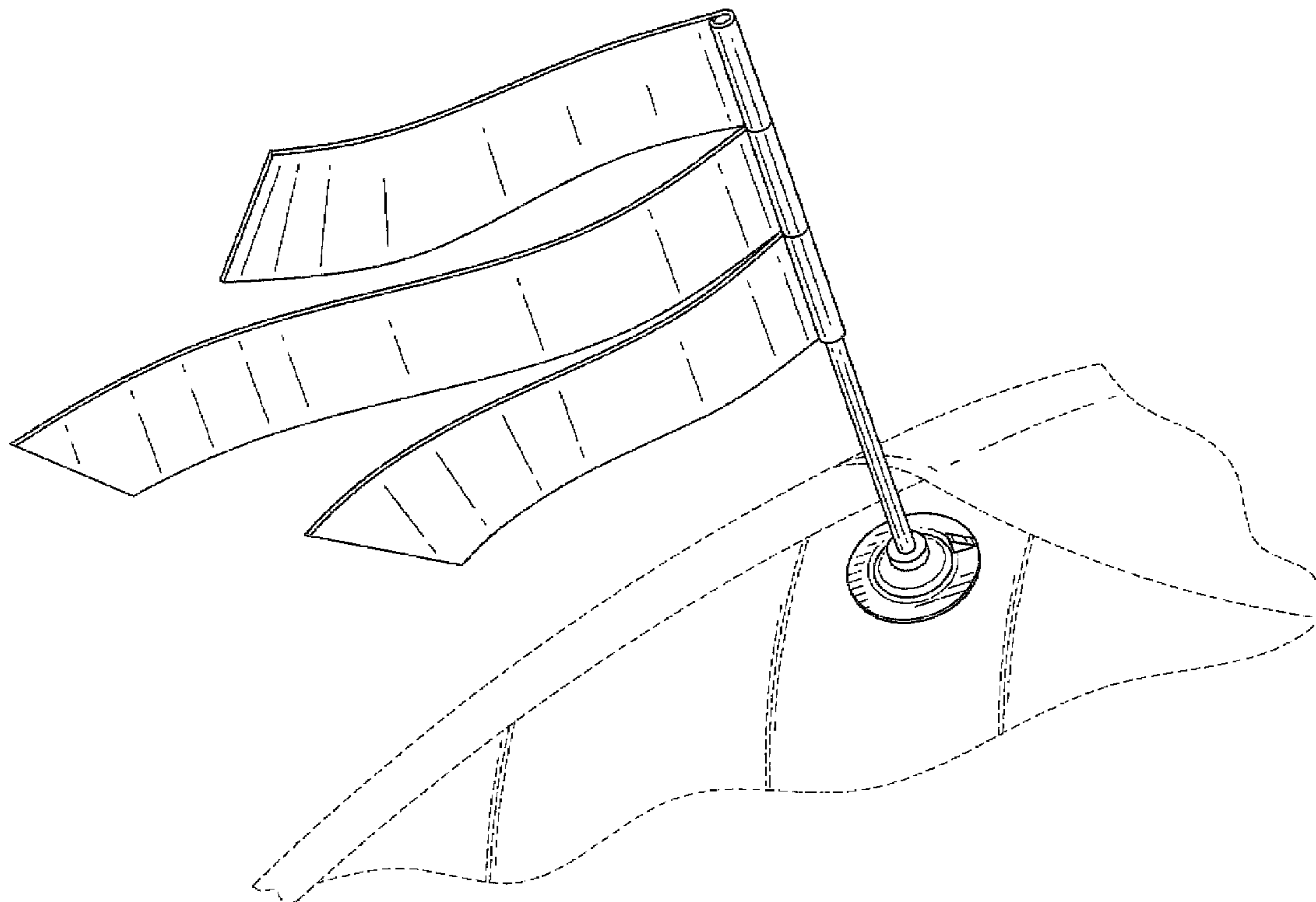
FIG. 1 is an environmental perspective view of the ribbon flag.

FIG. 2 is an environmental perspective view of the ribbon flag; and,

FIG. 3 is a top view of the ribbon flag.

The broken lines in the drawings represent environmental subject matter that forms no part of the claimed design.

1 Claim, 3 Drawing Sheets



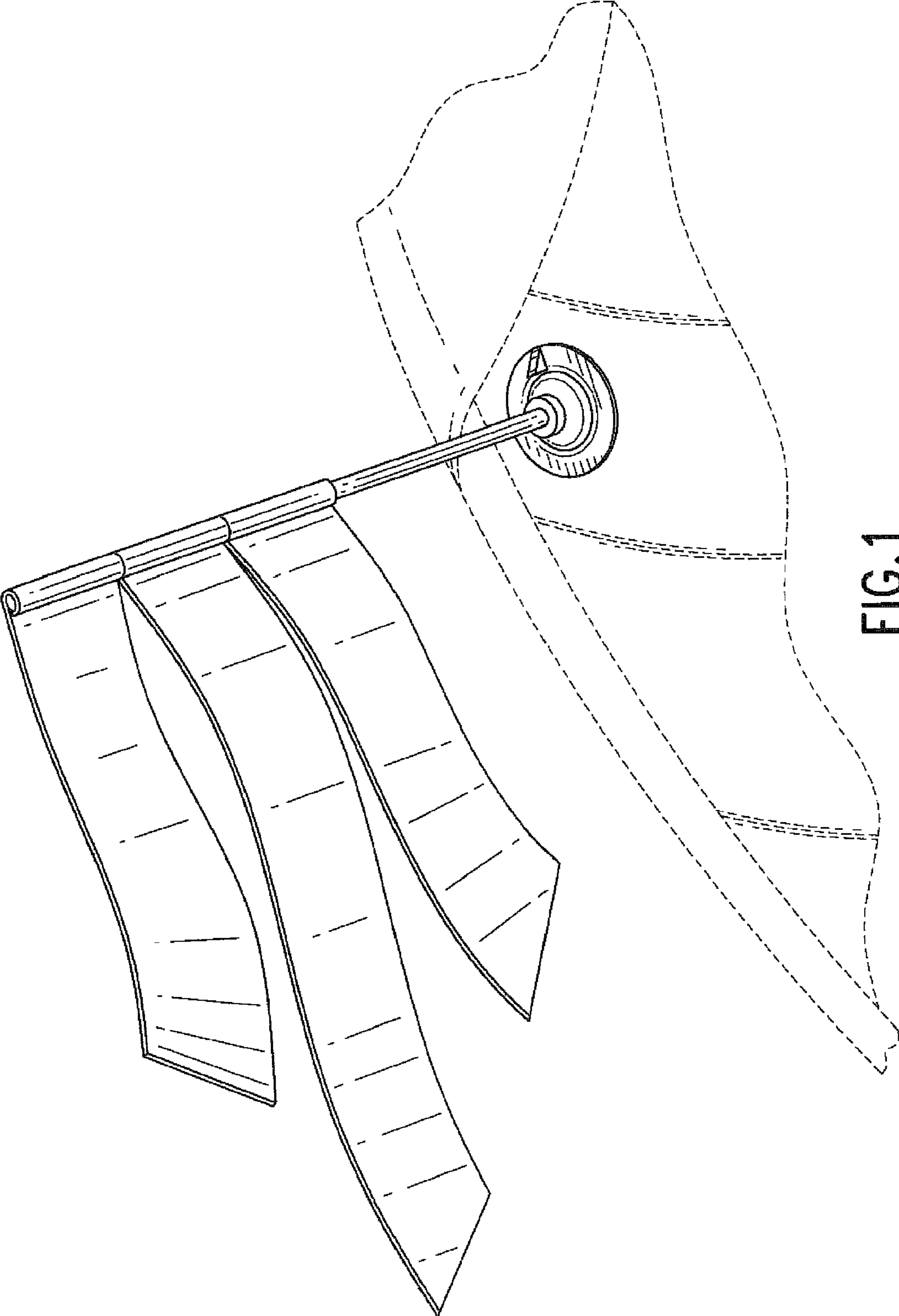


FIG. 1

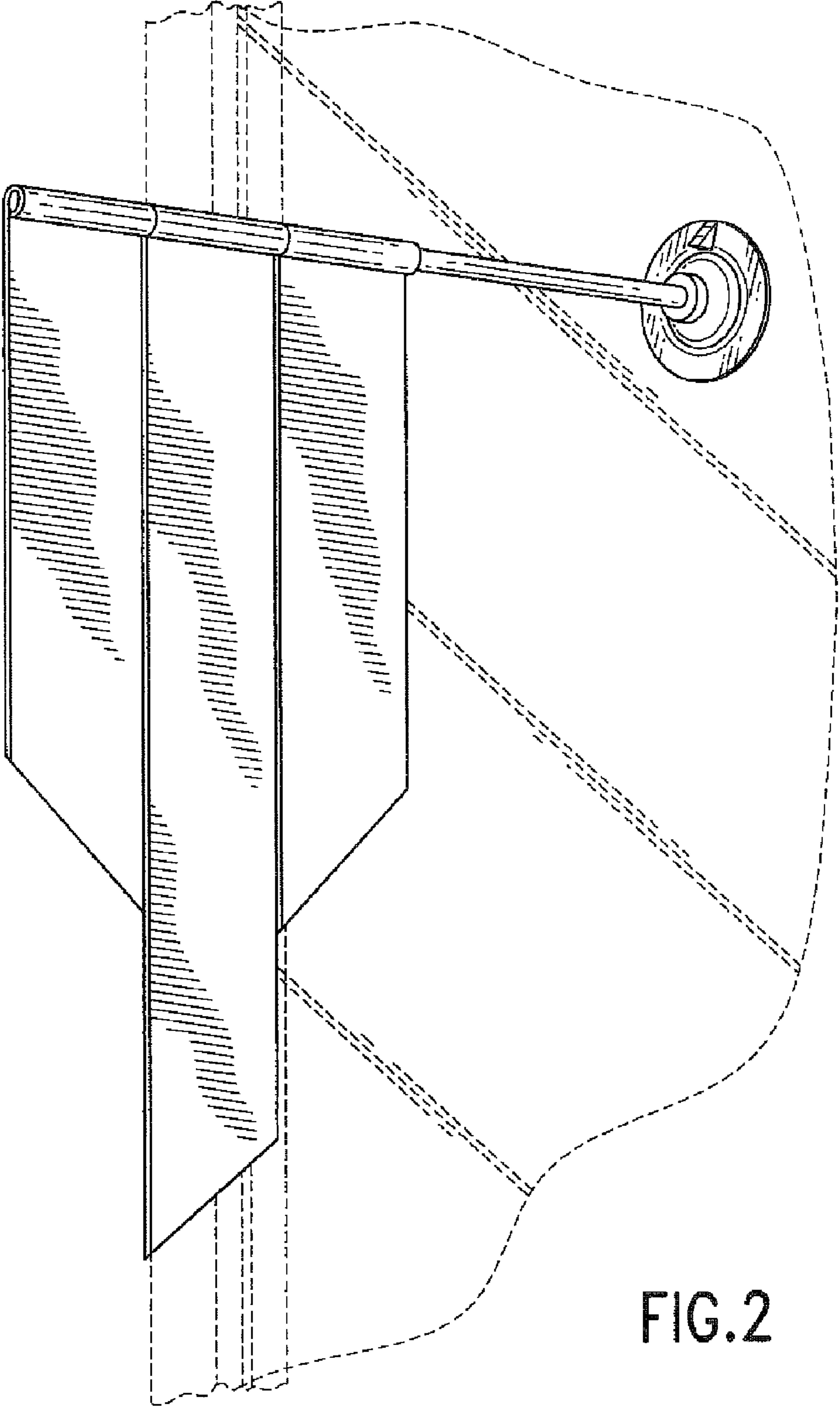


FIG.2

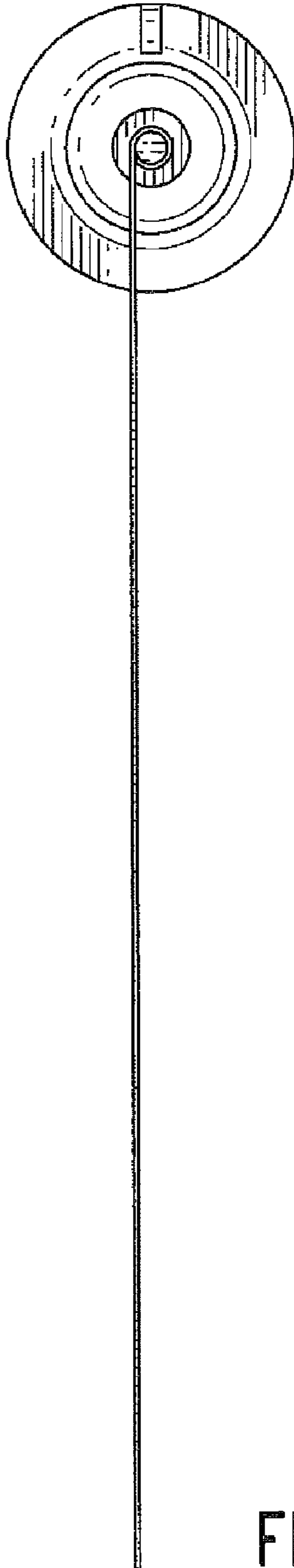


FIG. 3