



US00D659043S

(12) **United States Design Patent**
Moritz

(10) **Patent No.:** **US D659,043 S**
(45) **Date of Patent:** **** May 8, 2012**

(54) **WATCH DIAL**

(75) **Inventor:** **Hans Karsten Moritz**, Foothill Ranch,
CA (US)

(73) **Assignee:** **Oakley, Inc.**, Foothill Ranch, CA (US)

(**) **Term:** **14 Years**

(21) **Appl. No.:** **29/349,072**

(22) **Filed:** **Mar. 4, 2010**

(51) **LOC (9) Cl.** **10-07**

(52) **U.S. Cl.** **D10/126**

(58) **Field of Classification Search** D10/30-39,
D10/122-132; 368/276, 281, 282, 285, 80,
368/223, 228, 232

See application file for complete search history.

(56) **References Cited**

U.S. PATENT DOCUMENTS

1,940,568	A	12/1933	Thurmond	
3,503,203	A *	3/1970	Gruner et al.	368/21
D218,946	S *	10/1970	Worthington	D10/25
D240,026	S *	5/1976	Szalek	D10/126
D286,754	S *	11/1986	Manfredi	D10/39
D311,149	S *	10/1990	Robert	D10/126
D327,859	S *	7/1992	Robert	D10/126
D351,355	S *	10/1994	Kaneko	D10/126
D384,896	S *	10/1997	Woo	D10/30
D385,806	S *	11/1997	Defauw	D10/39
D392,578	S *	3/1998	Farsai	D10/126
D447,063	S *	8/2001	Scheufele	D10/30
D447,427	S *	9/2001	Finazzi	D10/39
D467,820	S *	12/2002	Berliat	D10/39
D486,078	S *	2/2004	de Baschmakoff	D10/39
D508,859	S *	8/2005	Ho	D10/30
D525,537	S *	7/2006	Monachon	D10/32
D535,199	S *	1/2007	Lassigne	D10/32
D537,371	S *	2/2007	Belamich	D10/39
D538,182	S	3/2007	Lalo	
D540,699	S *	4/2007	Niculescu	D10/39

D556,604	S	12/2007	Yet et al.	
D557,619	S	12/2007	Moritz	
D569,276	S *	5/2008	Scheufele	D10/39
D574,263	S	8/2008	Loth	
D577,303	S *	9/2008	Lalo	D10/122
D581,812	S	12/2008	Moritz	
D583,259	S *	12/2008	Arpa	D10/39
D592,080	S *	5/2009	Mijatovic	D10/39
D605,531	S *	12/2009	Salmon	D10/31
D610,473	S	2/2010	Goodman	
D611,865	S *	3/2010	Loth	D10/126
D623,542	S *	9/2010	Fontana	D10/39

* cited by examiner

Primary Examiner — Lucy Lieberman

(74) *Attorney, Agent, or Firm* — Knobbe Martens Olson & Bear, LLP

(57) **CLAIM**

The ornamental design for a watch dial, as shown and described.

DESCRIPTION

FIG. 1 is a front perspective view of the watch dial of the present invention;

FIG. 2 is another front perspective view of the watch dial of FIG. 1;

FIG. 3 is another front perspective view of the watch dial of FIG. 1;

FIG. 4 is another front perspective view of the watch dial of FIG. 1;

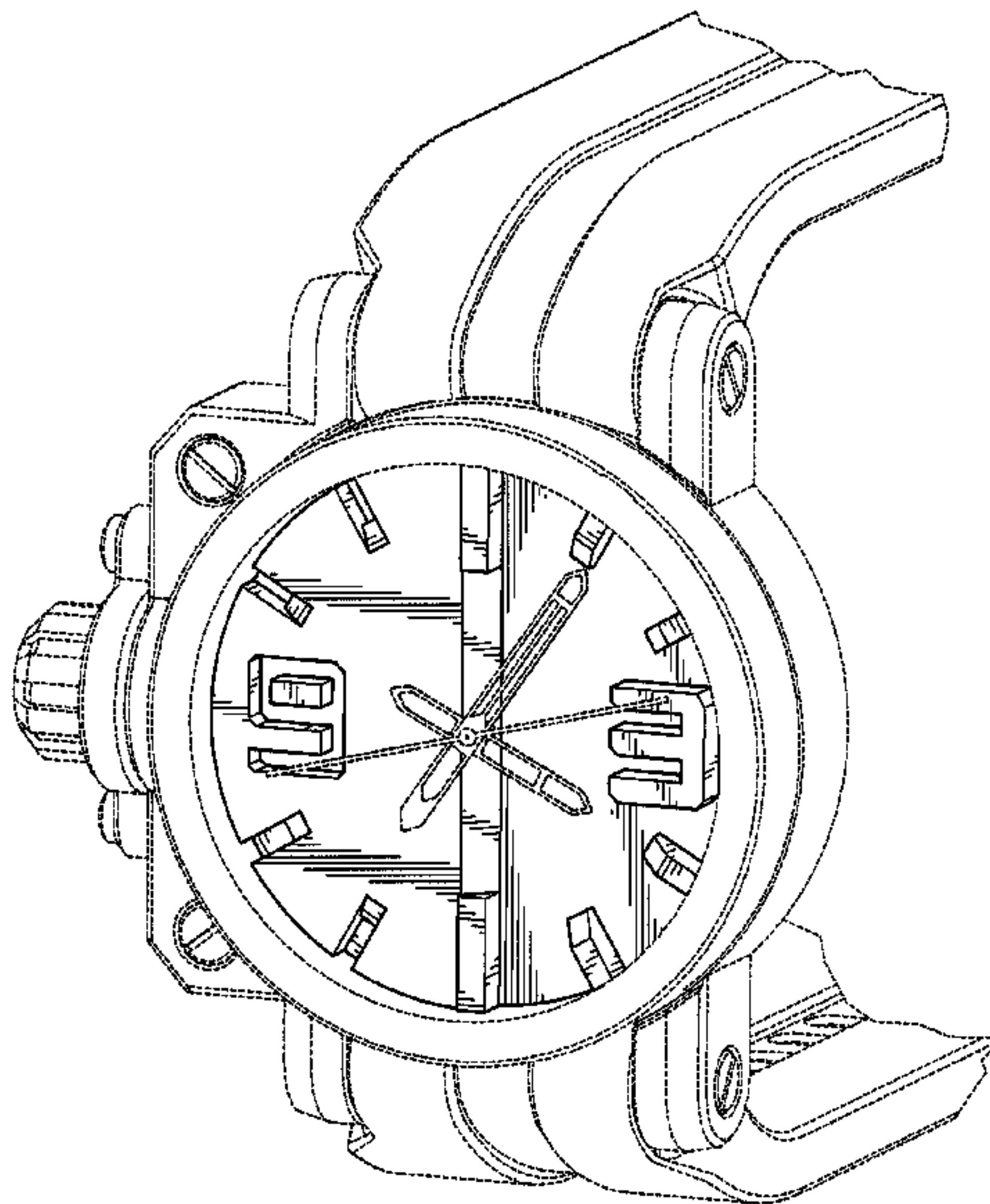
FIG. 5 is another front perspective view of the watch dial of FIG. 1;

FIG. 6 is another front perspective view of the watch dial of FIG. 1; and,

FIG. 7 is a front elevation of the watch dial.

Phantom lining, where utilized, is for illustrative purposes only and is not intended to limit the claimed design to the features shown in phantom.

1 Claim, 3 Drawing Sheets



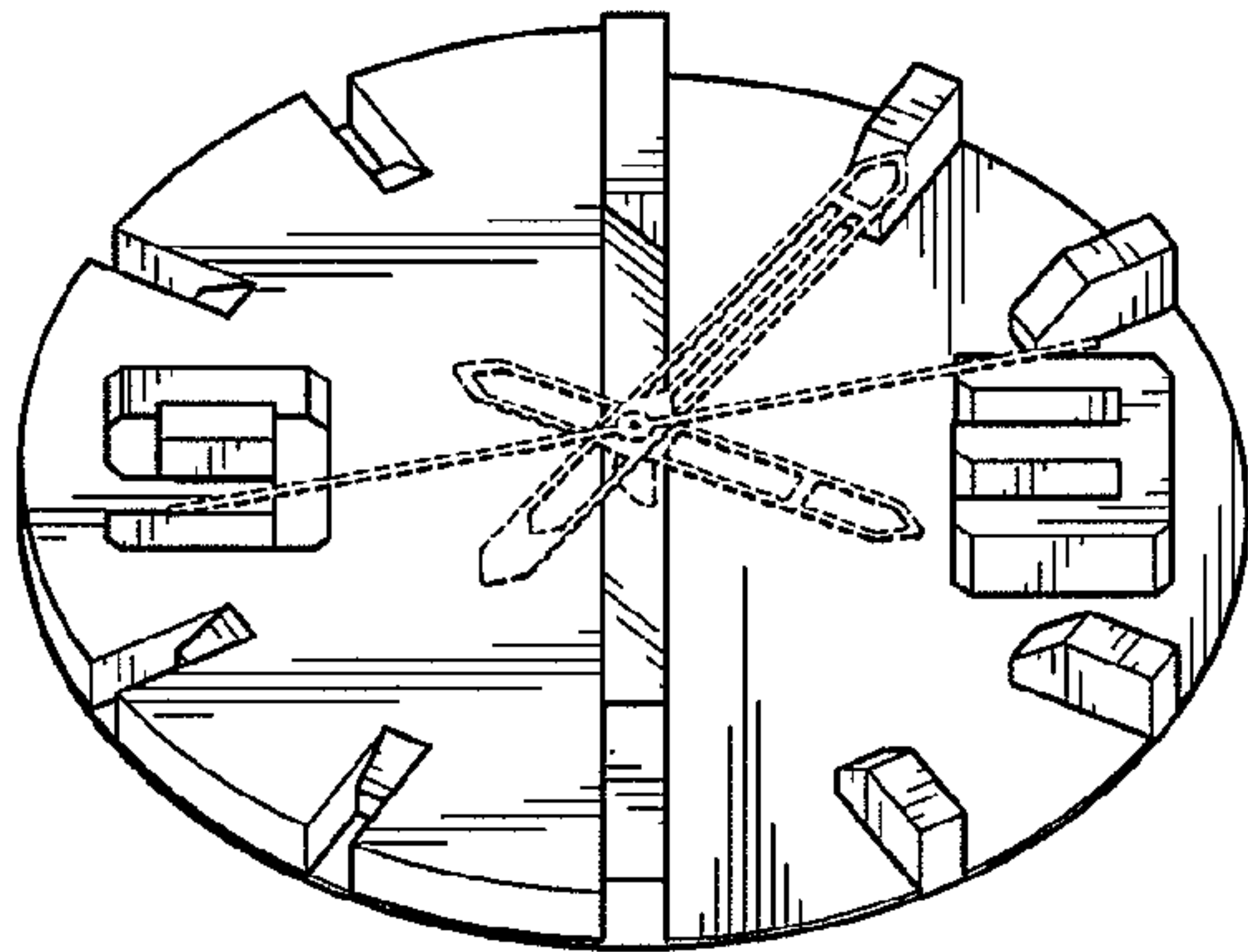


FIG. 1

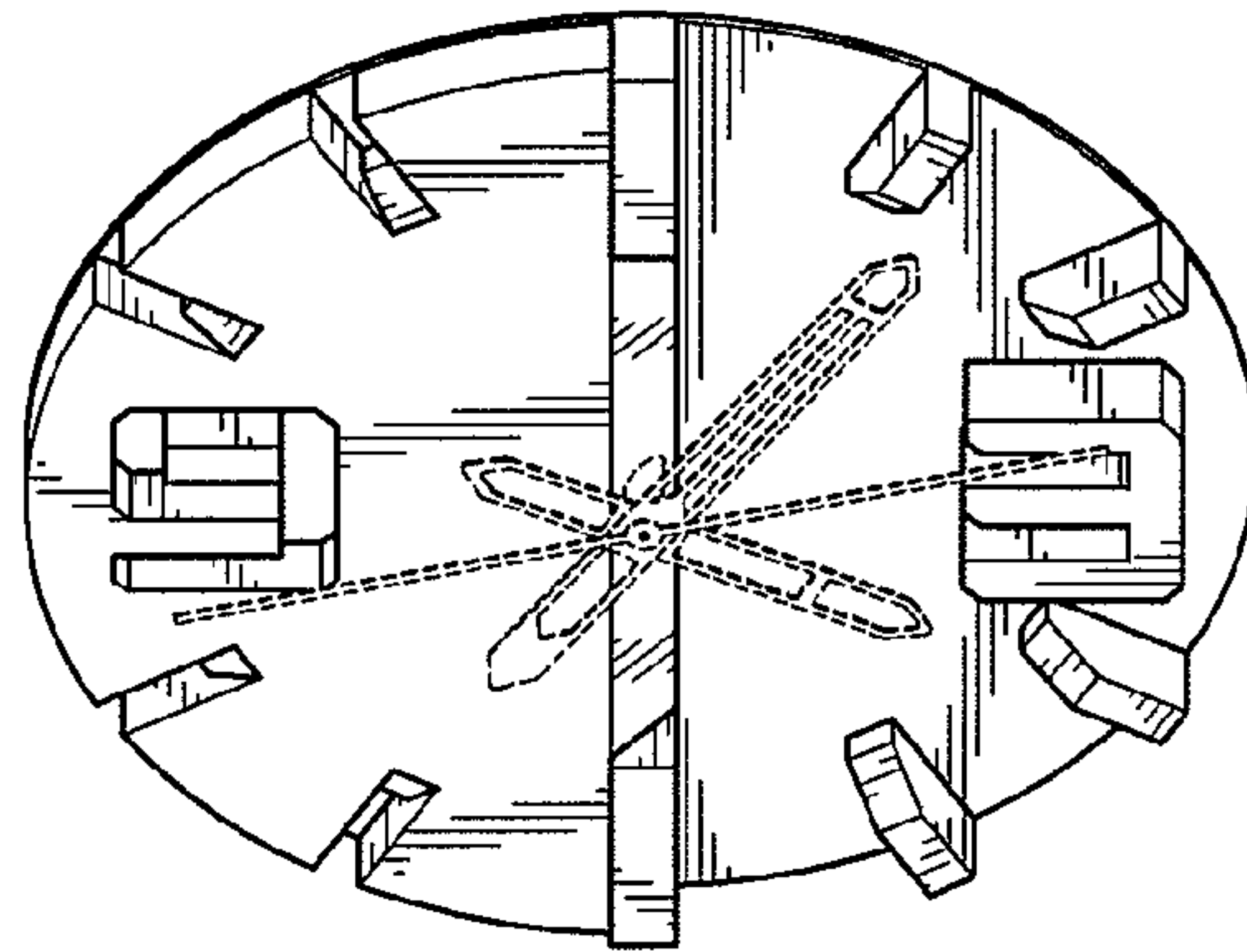


FIG. 2

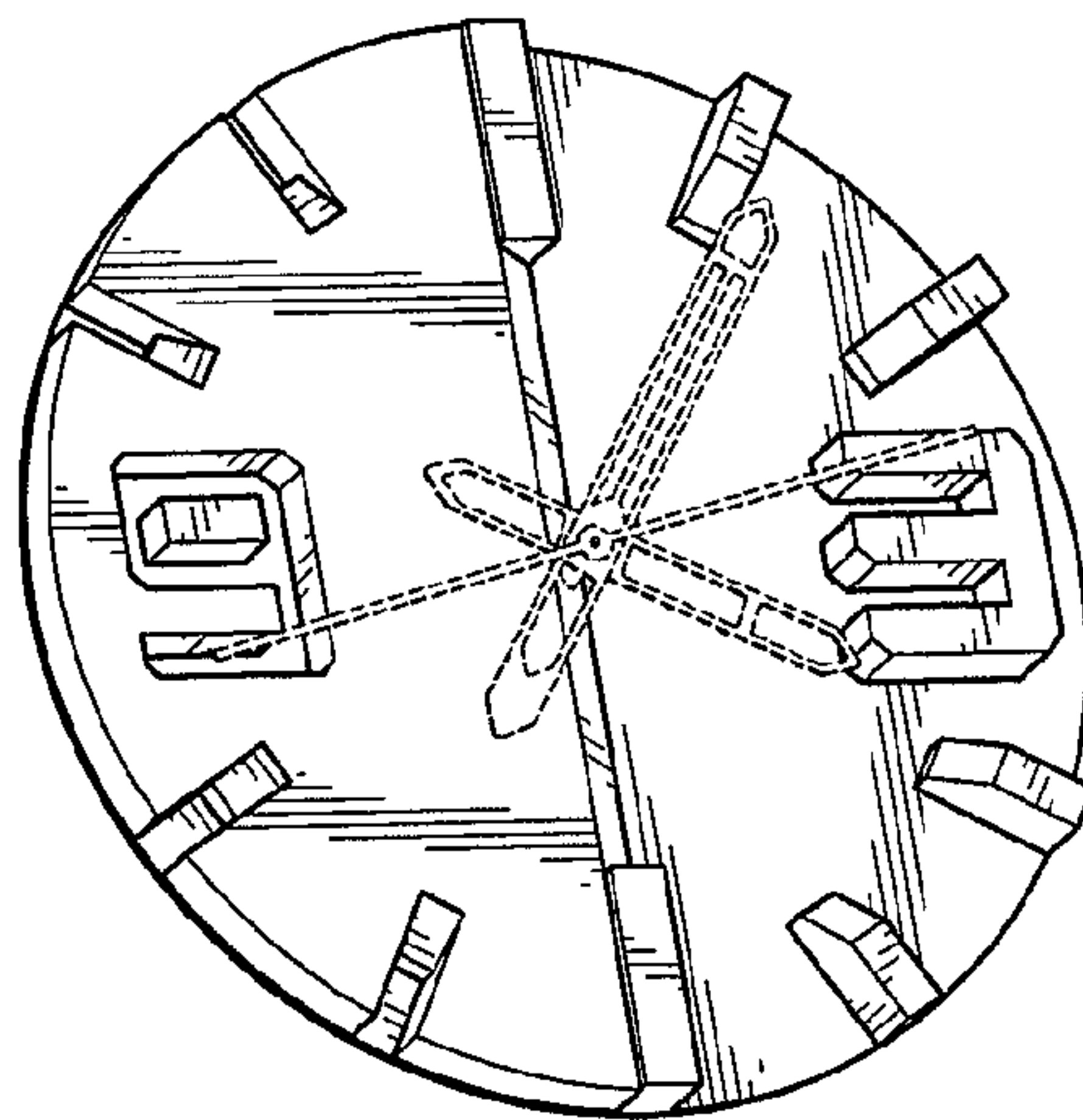


FIG. 3

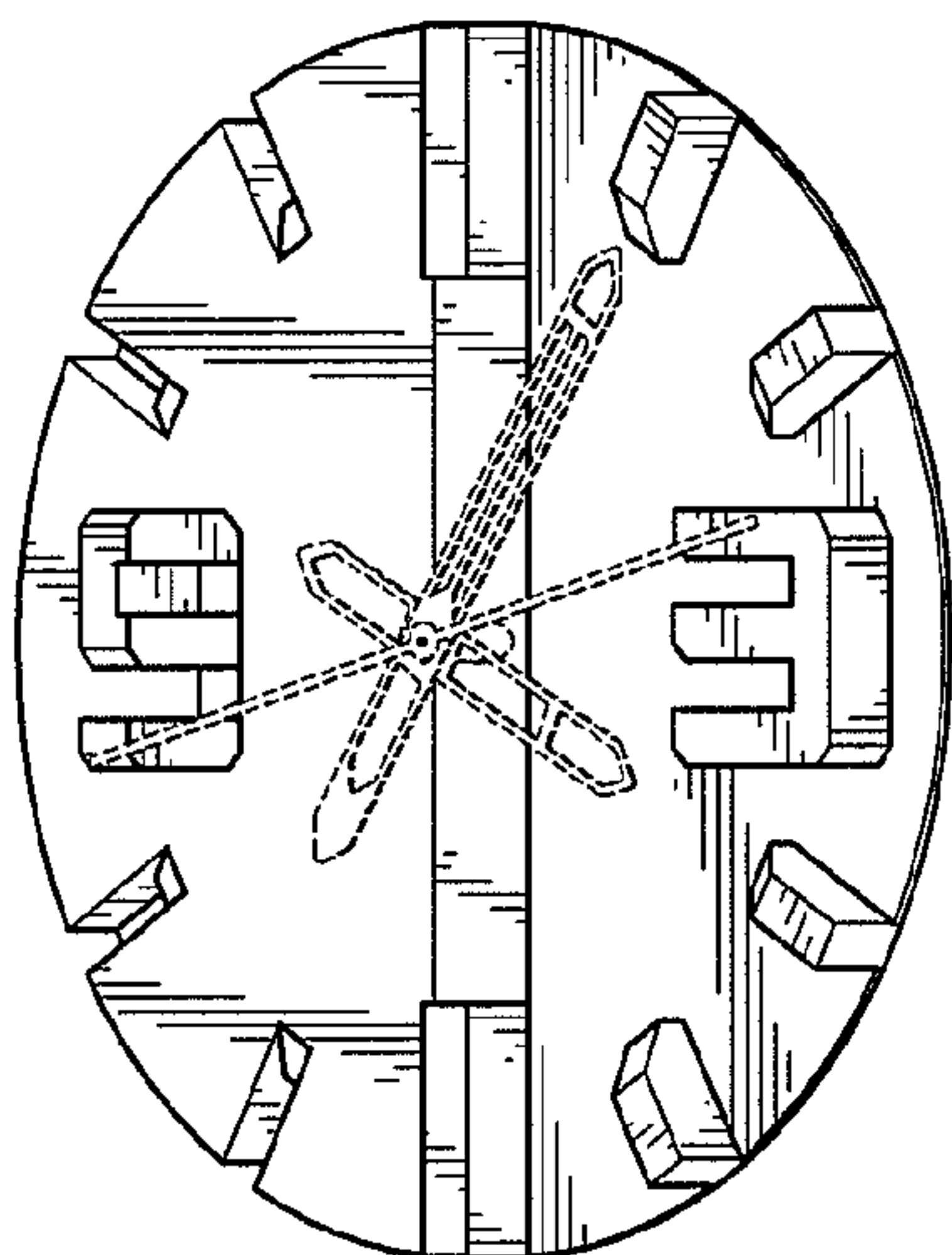


FIG. 4

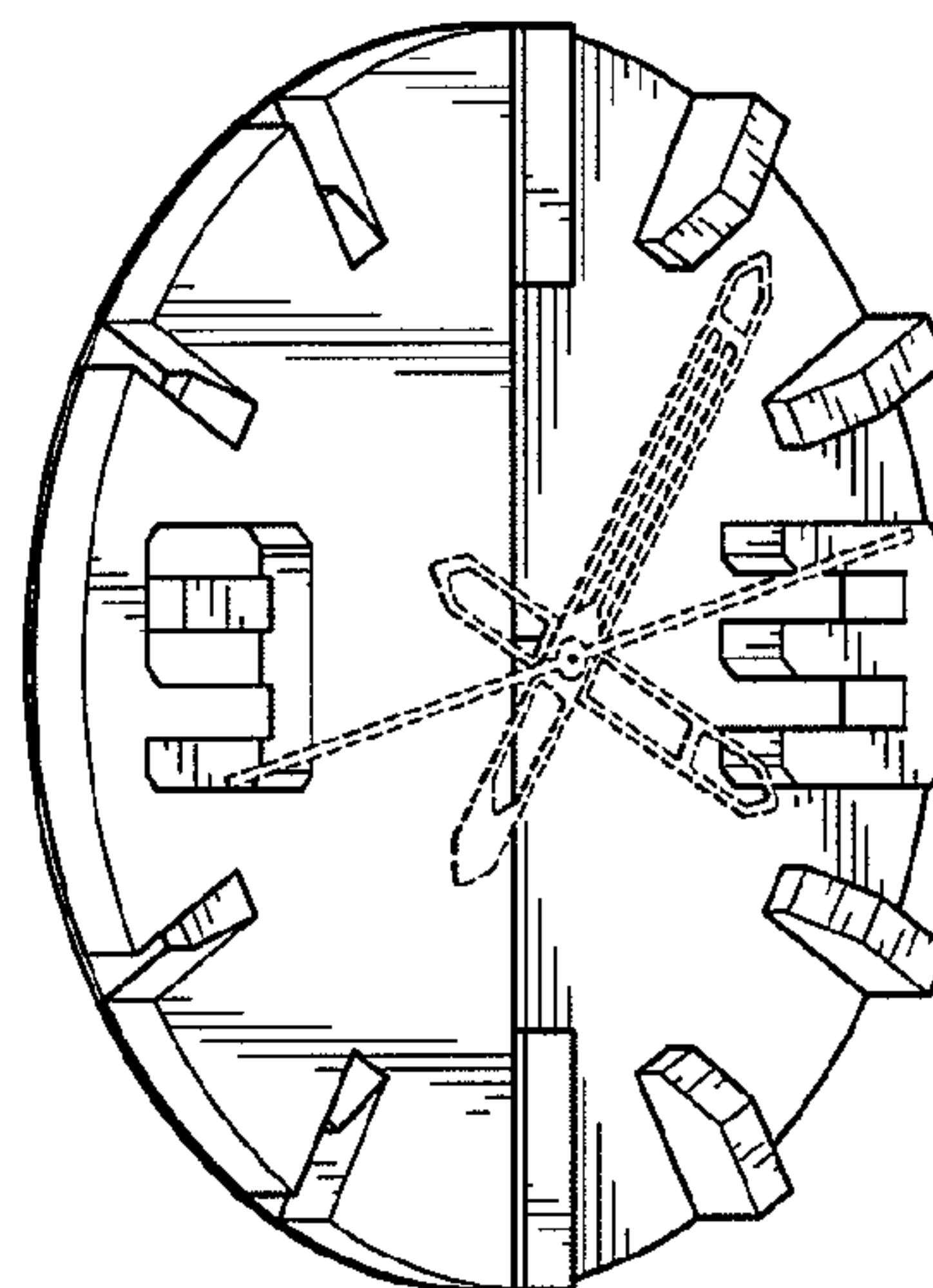


FIG. 5

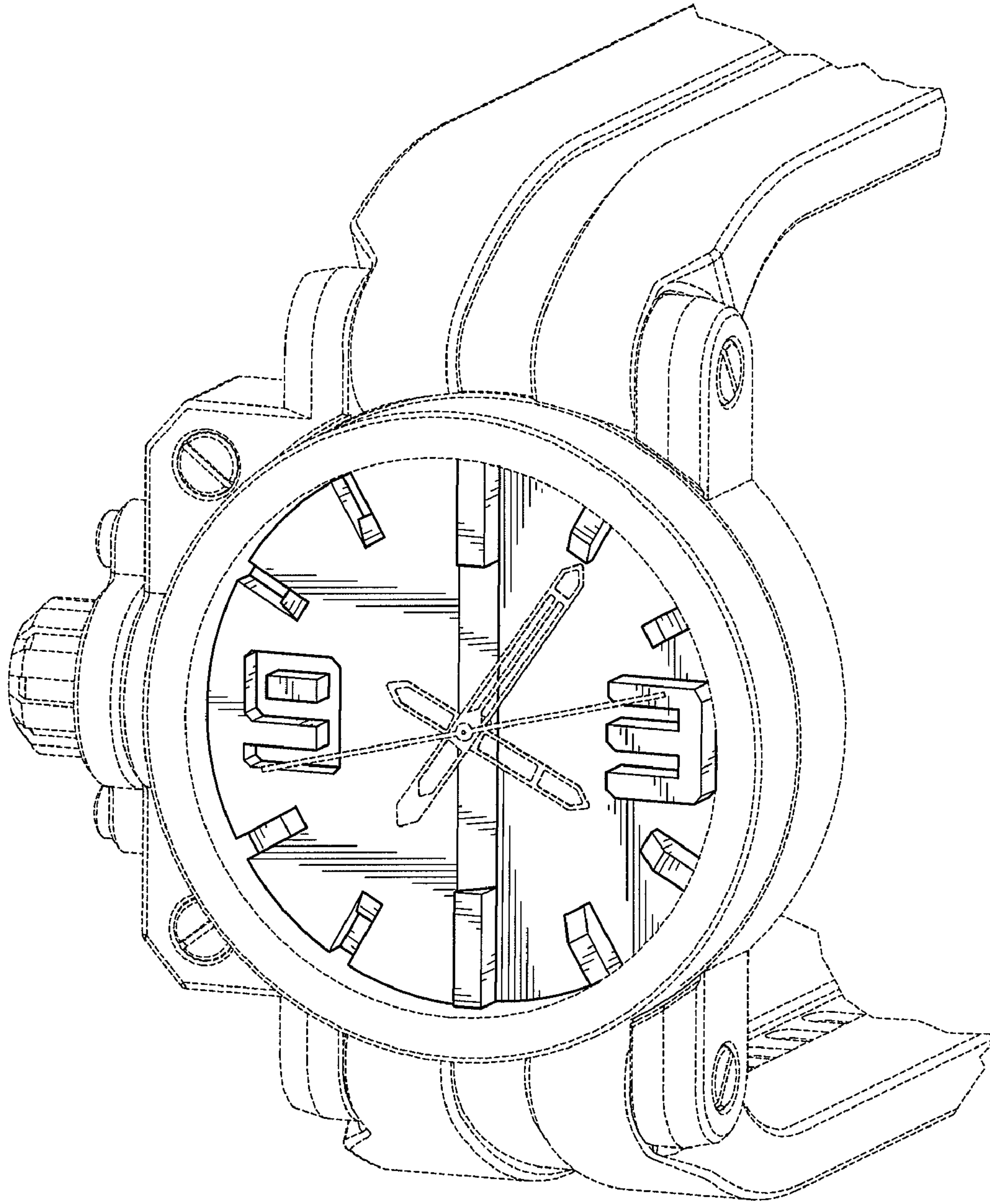


FIG. 6

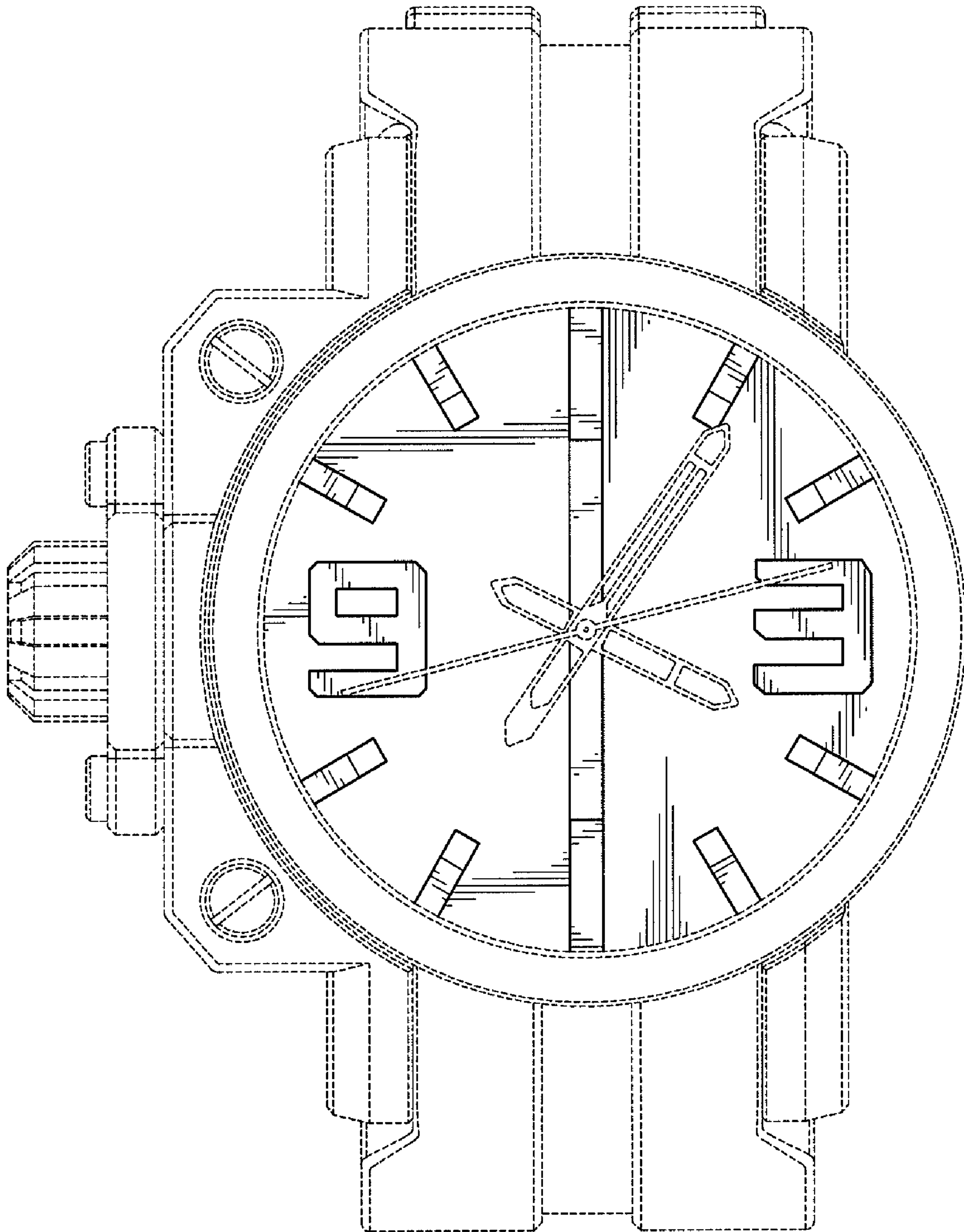


FIG. 7