



US00D659042S

(12) **United States Design Patent**
Gruosi

(10) **Patent No.:** **US D659,042 S**

(45) **Date of Patent:** **** May 8, 2012**

(54) **WATCH DIAL**

(75) **Inventor:** **Fawaz Gruosi**, Pragins (CH)

(73) **Assignee:** **De Grisogono, SA**, Plan-les-Ouates (CH)

(**) **Term:** **14 Years**

(21) **Appl. No.:** **29/343,912**

(22) **Filed:** **Sep. 21, 2009**

(30) **Foreign Application Priority Data**

Mar. 20, 2009 (CH) 135963

(51) **LOC (9) Cl.** **10-07**

(52) **U.S. Cl.** **D10/125**

(58) **Field of Classification Search** D10/30-39,
D10/122-132; 368/276, 281, 282, 285, 80,
368/223, 228, 232

See application file for complete search history.

(56) **References Cited**

U.S. PATENT DOCUMENTS

D186,180	S	*	9/1959	Diamond	D10/39
D203,760	S	*	2/1966	Morris	D10/124
D218,946	S	*	10/1970	Worthington	D10/25
D224,550	S	*	8/1972	Fainsilber	D10/22
D225,124	S	*	11/1972	Osawa	D10/39
D240,027	S	*	5/1976	Szalek	D10/126
D240,407	S	*	7/1976	Szalek	D10/126
4,212,159	A	*	7/1980	Noble et al.	368/82
4,255,806	A	*	3/1981	Fahrenschon et al.	368/240
D279,359	S	*	6/1985	Szigeti	D10/126

D285,908	S	*	9/1986	Maron	D10/30
D288,669	S	*	3/1987	Maron	D10/30
D324,829	S	*	3/1992	Bock	D10/126
5,894,457	A	*	4/1999	Luth	368/108
D413,813	S	*	9/1999	Butler	D10/22
D471,822	S	*	3/2003	Goeckeritz	D10/32
D473,802	S	*	4/2003	Berliat	D10/39
D519,853	S	*	5/2006	Sirmakes	D10/32
D528,440	S	*	9/2006	Lovegrove	D10/38
D530,627	S	*	10/2006	Senggen et al.	D10/32
D545,713	S	*	7/2007	Waldman	D10/125
D551,096	S	*	9/2007	Salemi	D10/32
D566,602	S	*	4/2008	Nataf	D10/126
D567,114	S	*	4/2008	Cattin	D10/32
D586,682	S	*	2/2009	Waldman	D10/125
D588,025	S	*	3/2009	Belamich	D10/39
D622,166	S	*	8/2010	Monachon	D10/39

* cited by examiner

Primary Examiner — Lucy Lieberman

(74) *Attorney, Agent, or Firm* — Venable, Campillo, Logan & Meaney, P.C.

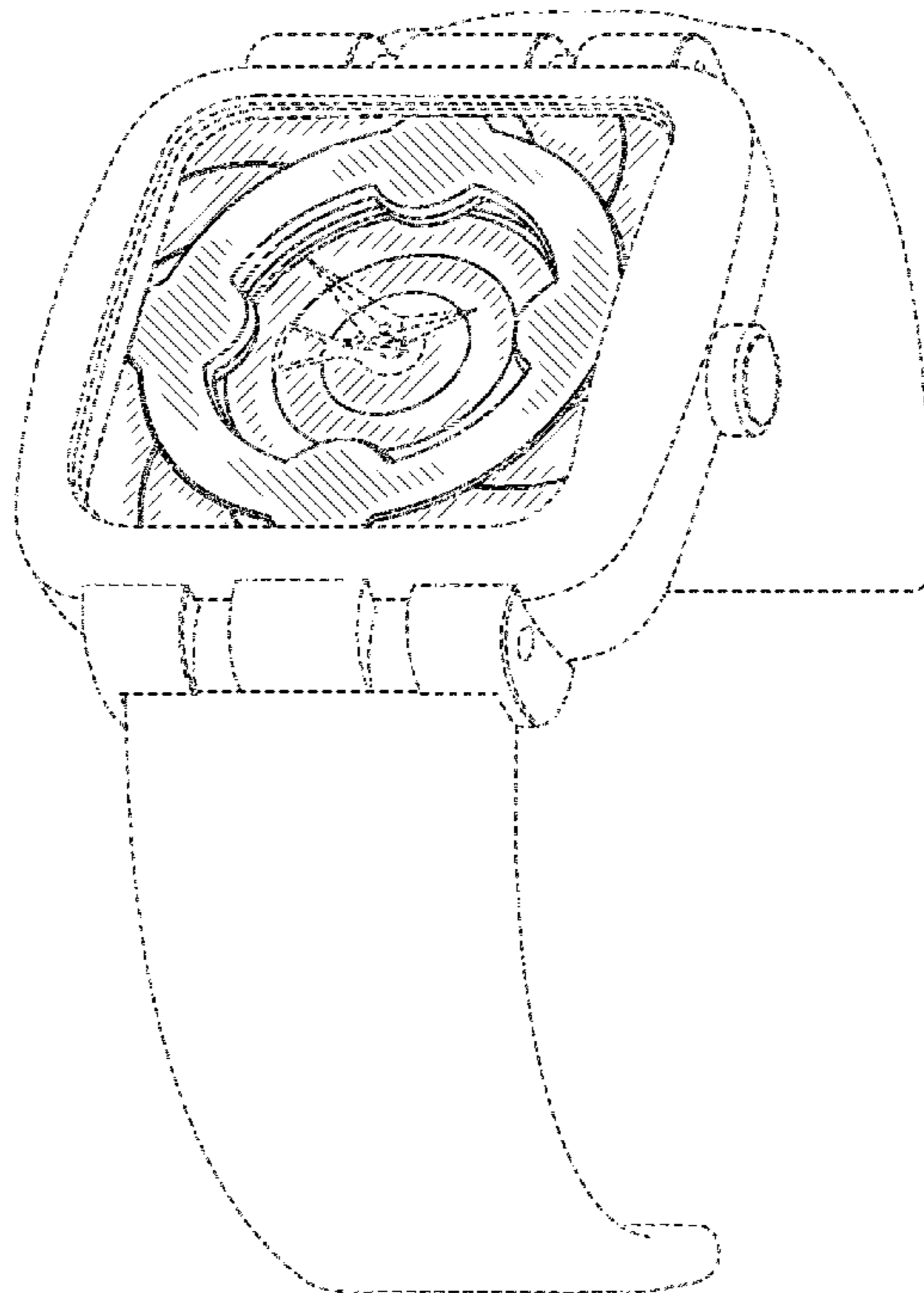
(57) **CLAIM**

The ornamental design for a watch dial, as shown and described.

DESCRIPTION

FIG. 1 is a front elevation of a watch dial showing my new design; and,
FIG. 2 is a front perspective view of the watch dial showing my new design as used in an unclaimed watch.
The broken lines showing a watch case, hands and a watch band are for the purpose of illustrating environment only and do not form part of the claimed design.

1 Claim, 1 Drawing Sheet



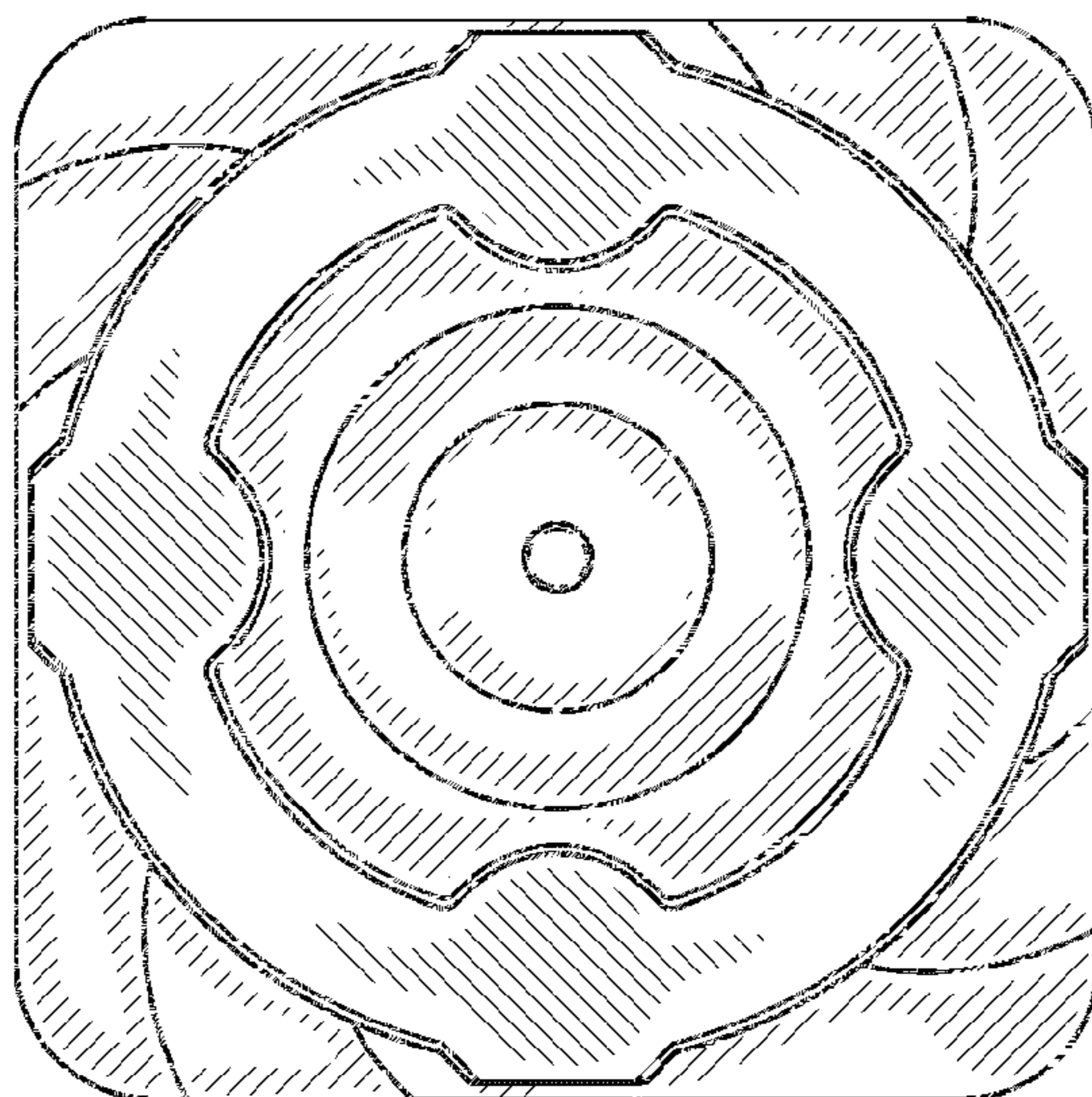


FIG. 1

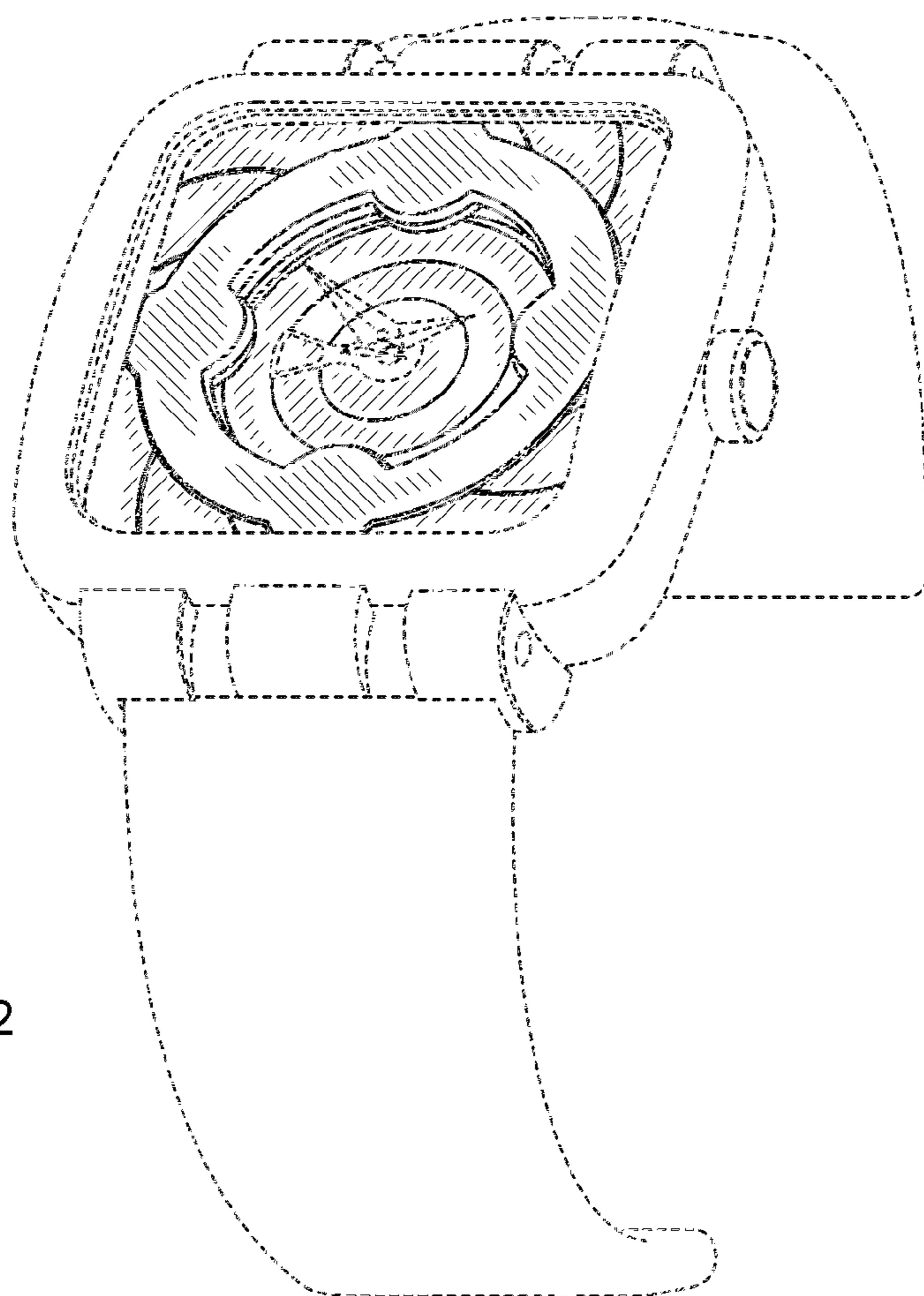


FIG. 2