



US00D659041S

(12) **United States Design Patent**
Burke et al.

(10) **Patent No.:** **US D659,041 S**

(45) **Date of Patent:** **** May 8, 2012**

(54) **WARNING LIGHT**

(75) Inventors: **Bernard R. Burke**, Joliet, IL (US);
Vincent S. Fleszewski, Crown Point, IN
(US); **Charles P. Meyer**, New Lenox, IL
(US); **Christopher Radzik**, Orland Park,
IL (US); **George Frank**, Crown Point,
IN (US); **Sigmund Urbanski**, Orland
Park, IL (US); **Paul Gergets**, St. John,
IN (US)

(73) Assignee: **Federal Signal Corporation**, Oak
Brook, IL (US)

(**) Term: **14 Years**

(21) Appl. No.: **29/392,936**

(22) Filed: **May 27, 2011**

Related U.S. Application Data

(63) Continuation of application No. 29/356,145, filed on
Feb. 19, 2010, now Pat. No. Des. 638,732.

(51) **LOC (9) Cl.** **10-05**

(52) **U.S. Cl.** **D10/114.4**

(58) **Field of Classification Search** D10/114.4;
D26/72, 74, 76; 362/542, 493, 480, 468
See application file for complete search history.

(56) **References Cited**

U.S. PATENT DOCUMENTS

D249,250 S * 9/1978 Peirish, Jr. D10/114.4
(Continued)

OTHER PUBLICATIONS

Code3, Defender™, 3 pages.

(Continued)

Primary Examiner — George D Kirschbaum

(74) *Attorney, Agent, or Firm* — Merchant & Gould PC

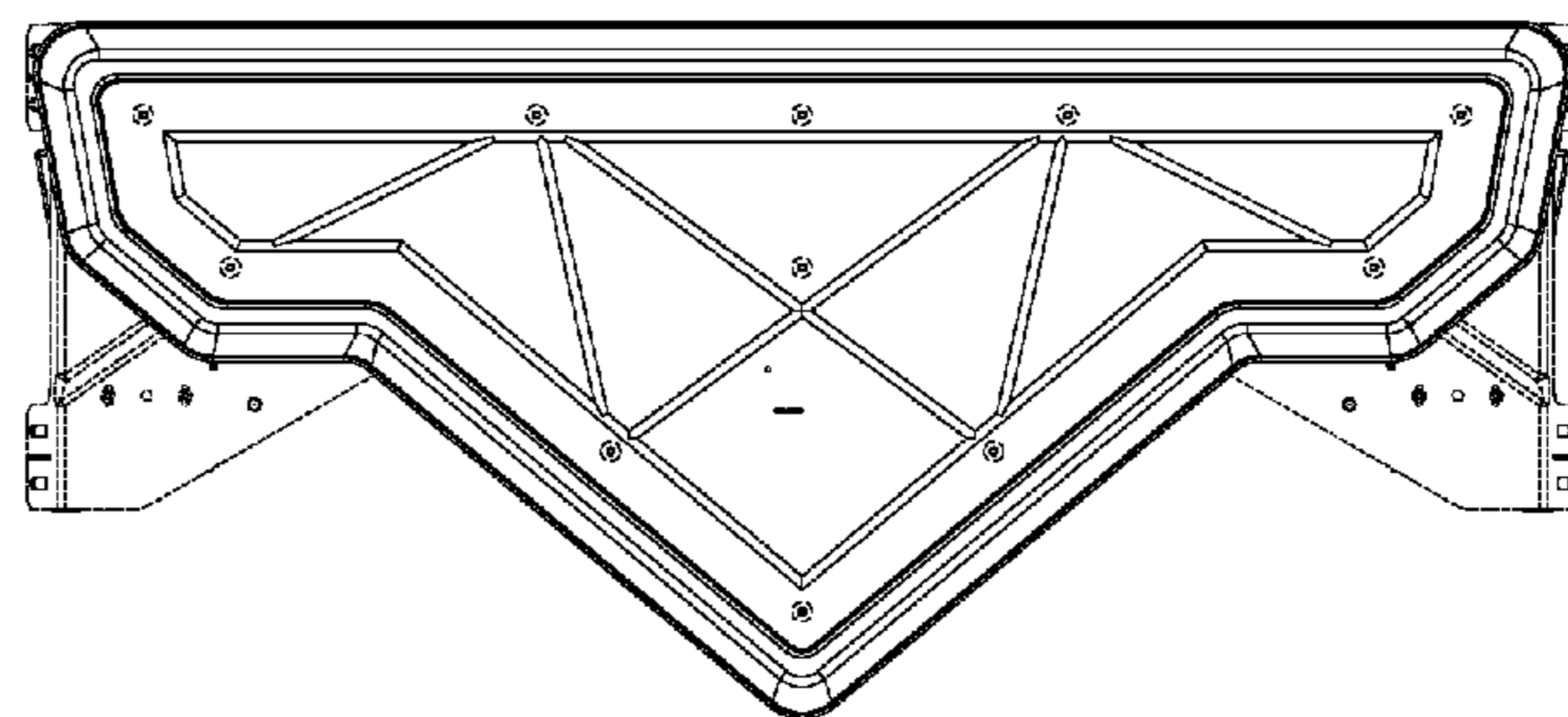
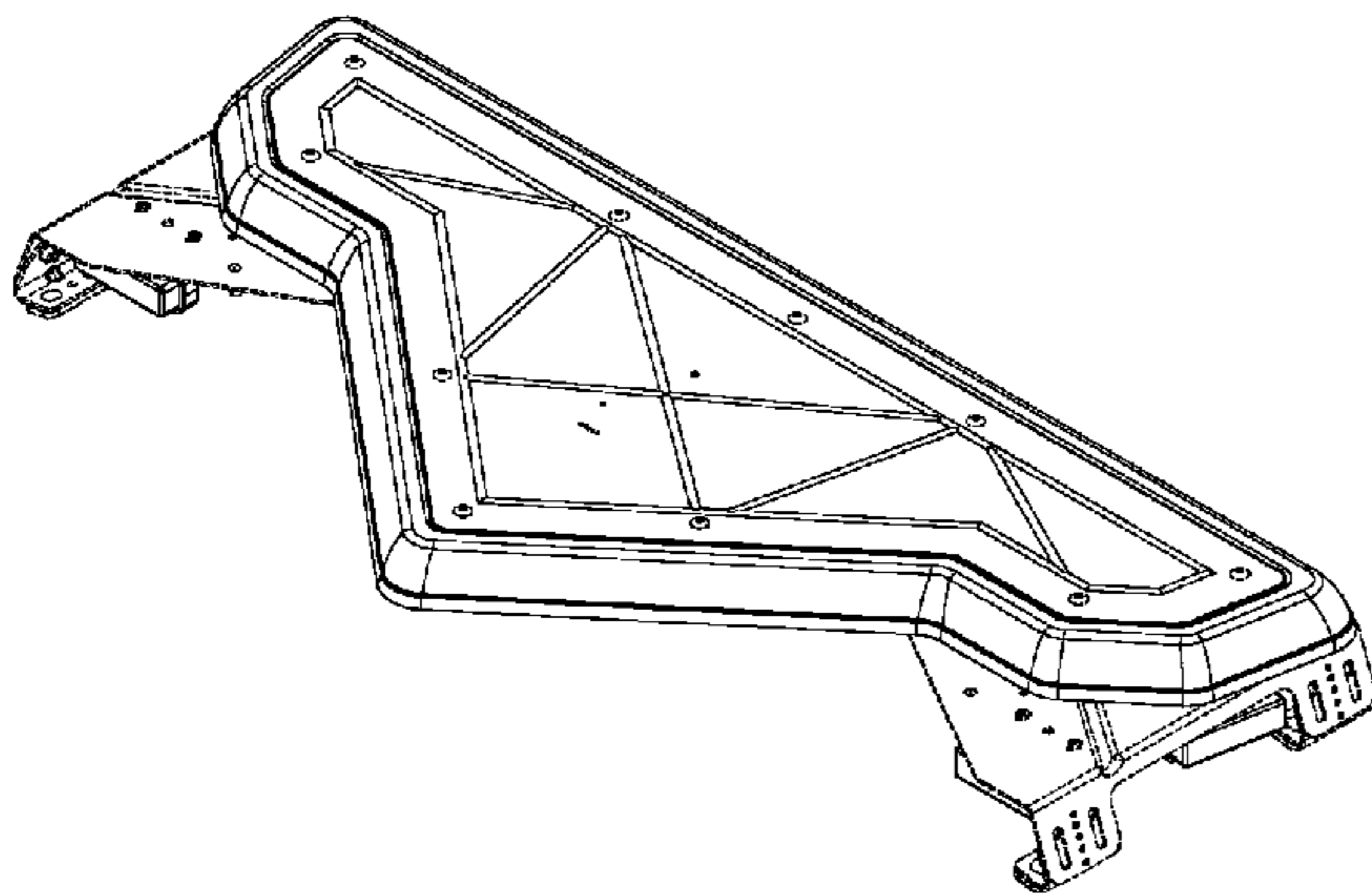
(57) **CLAIM**

The ornamental design for warning light, as shown and
described.

DESCRIPTION

FIG. 1 is a top perspective of an embodiment for a warning
light in accord with the present disclosure;
FIG. 2 is a front elevational view thereof;
FIG. 3 is a rear elevational view thereof;
FIG. 4 is a side elevational view thereof; a second, opposite,
side view being substantially a mirror image thereof;
FIG. 5 is a top plan view thereof;
FIG. 6 is a bottom plan view thereof;
FIG. 7 is a top perspective of a second embodiment for a
warning light in accord with the present disclosure;
FIG. 8 is a front elevational view thereof;
FIG. 9 is a rear elevational view thereof;
FIG. 10 is a first side elevational view thereof; a second,
opposite, side view being substantially a mirror image
thereof;
FIG. 11 is a top plan view thereof;
FIG. 12 is a bottom plan view thereof;
FIG. 13 is a top perspective of a third embodiment for a
warning light in accord with the present disclosure;
FIG. 14 is a front elevational view thereof;
FIG. 15 is a rear elevational view thereof;
FIG. 16 is a side elevational view thereof; a second, opposite,
side view being substantially a mirror image thereof;
FIG. 17 is a top plan view thereof; and,
FIG. 18 is a bottom plan view thereof;
FIG. 19 is a top perspective of a fourth embodiment for a
warning light in accord with the present disclosure;
FIG. 20 is a front elevational view thereof;
FIG. 21 is a rear elevational view thereof;
FIG. 22 is a side elevational view thereof; a second, opposite,
side view being substantially a mirror image thereof;
FIG. 23 is a top plan view thereof; and,
FIG. 24 is a bottom plan view thereof.
In the drawings, the broken line showing of portions of the
warning light lens and mounting hardware in the figures
depicts environmental subject matter and forms no part of the
claim.

1 Claim, 24 Drawing Sheets



US D659,041 S

Page 2

U.S. PATENT DOCUMENTS

D324,921 S 3/1992 Stanuch
5,097,397 A 3/1992 Stanuch
D330,687 S 11/1992 Stanuch
D355,142 S * 2/1995 Wagner D10/114.4
D363,675 S 10/1995 Sasaki et al.
5,826,965 A * 10/1998 Lyons 362/477
D402,909 S * 12/1998 Stanuch D10/114.4
5,884,997 A * 3/1999 Stanuch et al. 362/493
RE36,245 E 7/1999 Stanuch
D427,537 S 7/2000 Green et al.
6,140,918 A 10/2000 Green et al.
6,511,216 B2 1/2003 Strickland
D518,400 S * 4/2006 Sasaki et al. D10/114.4
D556,074 S * 11/2007 Stein et al. D10/114.4
D592,089 S 5/2009 Shin
D614,986 S 5/2010 Shin
D617,227 S * 6/2010 Cai D10/114.4
D638,732 S 5/2011 Burke et al.

2002/0109999 A1 8/2002 Strickland
2008/0049439 A1 2/2008 Wang
2010/0321177 A1 12/2010 Burke et al.
2011/0156589 A1* 6/2011 Gergets et al. 315/77

OTHER PUBLICATIONS

Code3, RX 2700™ CC, 1 page.
SoundOff Signal, Pinnacle™ (Fusion Technology Gen3 Lightbar),
22 pages.
Tomar, 970L Scorpion Low Profile Lightbar, 2 pages.
Tomar, The Blade™ Low-Profile Lightbar, 4 pages.
Whelan Engineering Co., Inc., Mini Justice® Super-LED® Mini
Lightbar Series, © 2008, 1 page.
Whelan Engineering Co., Inc., Whelan® LFL Liberty™ Linear-
LED® Lightbars, © 2009, 4 pages.
Declaration of Paul Gergets executed Oct. 13, 2010.
Pending Claims in Corresponding U.S. Appl. No. 12/776,500.

* cited by examiner

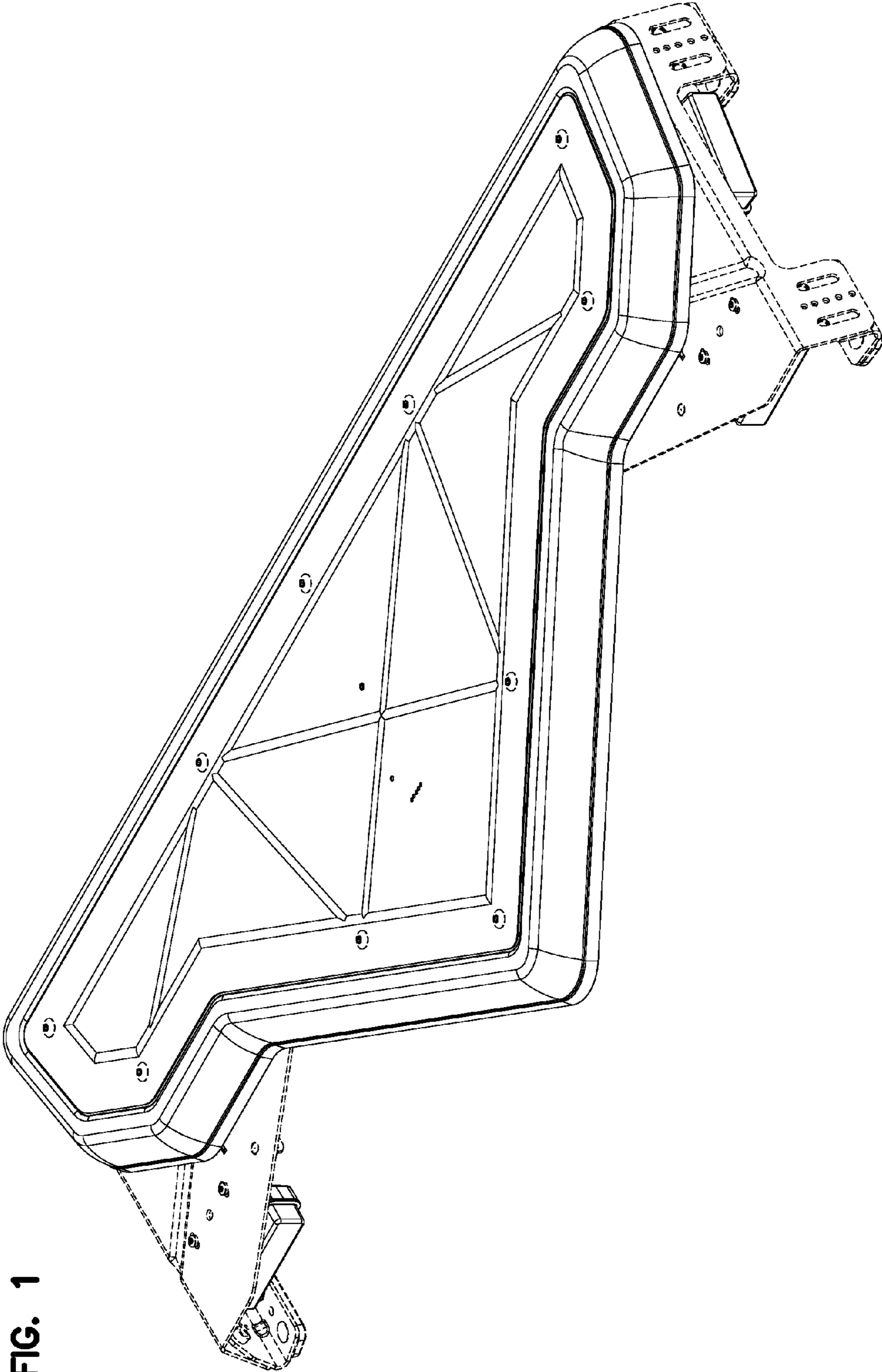


FIG. 1

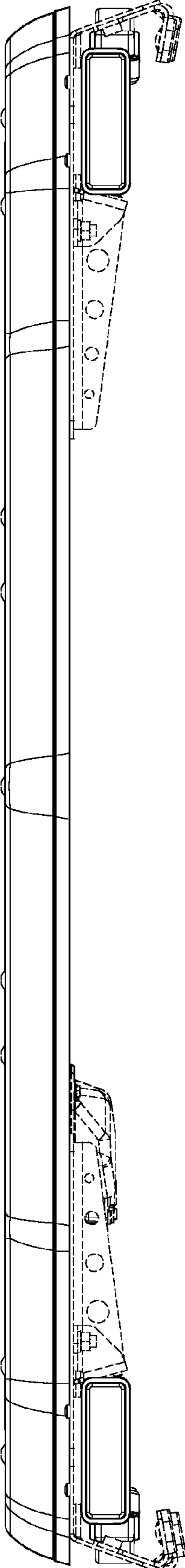


FIG. 2

FIG. 3

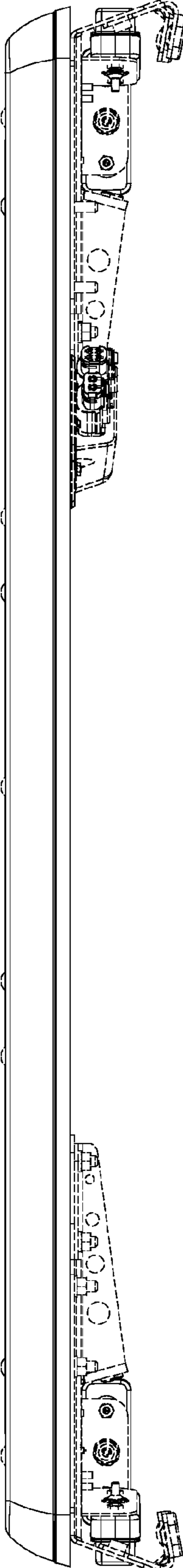


FIG. 4

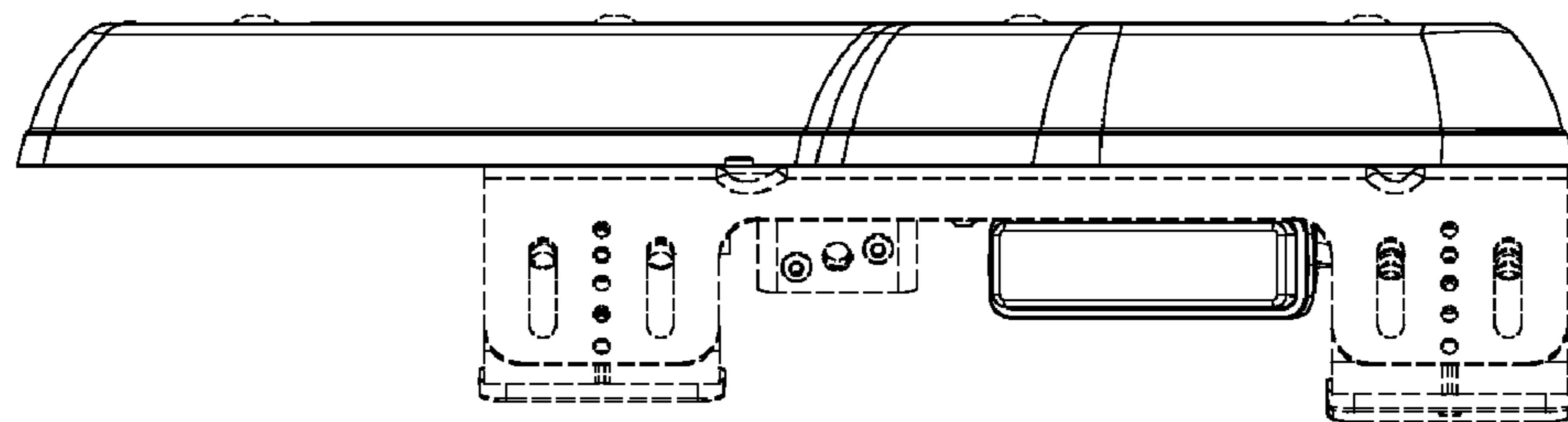
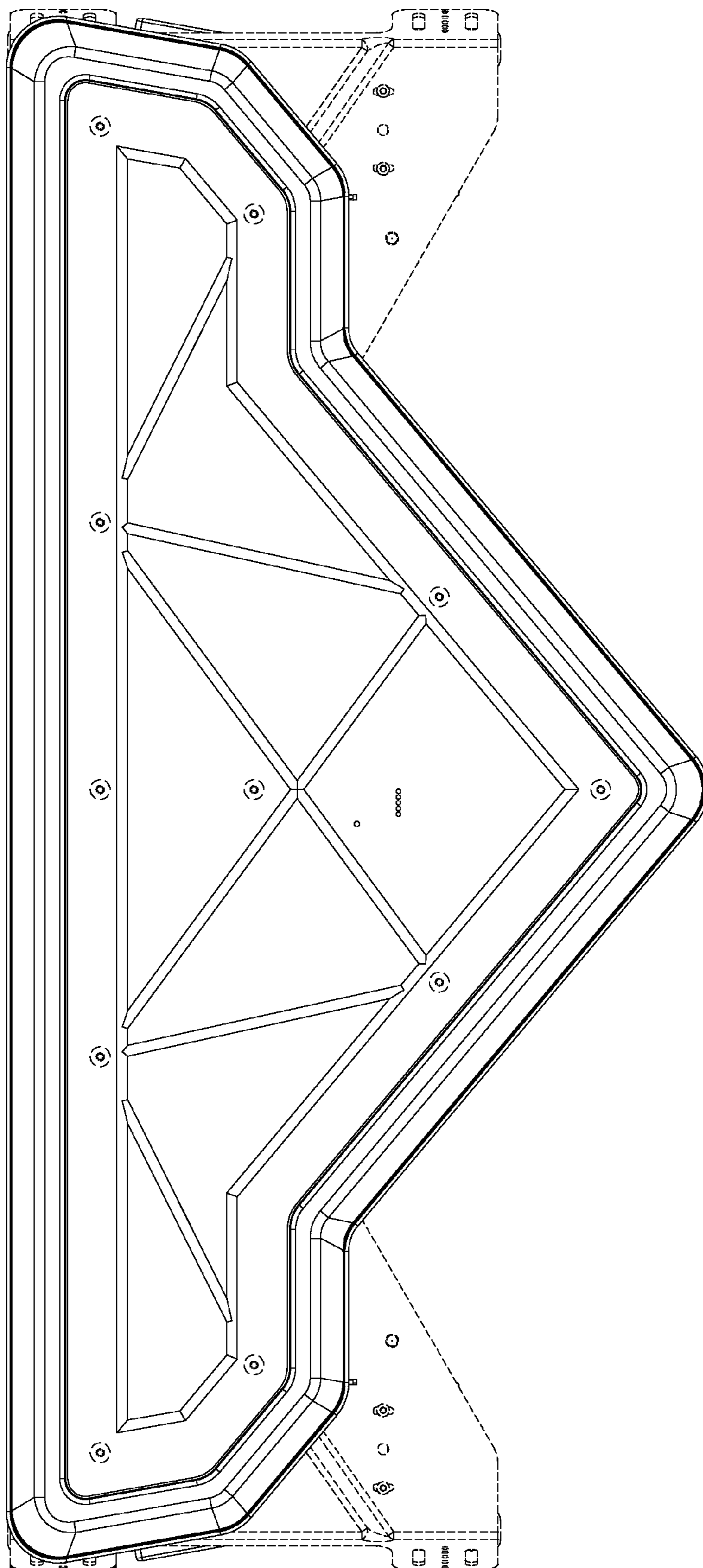


FIG. 5



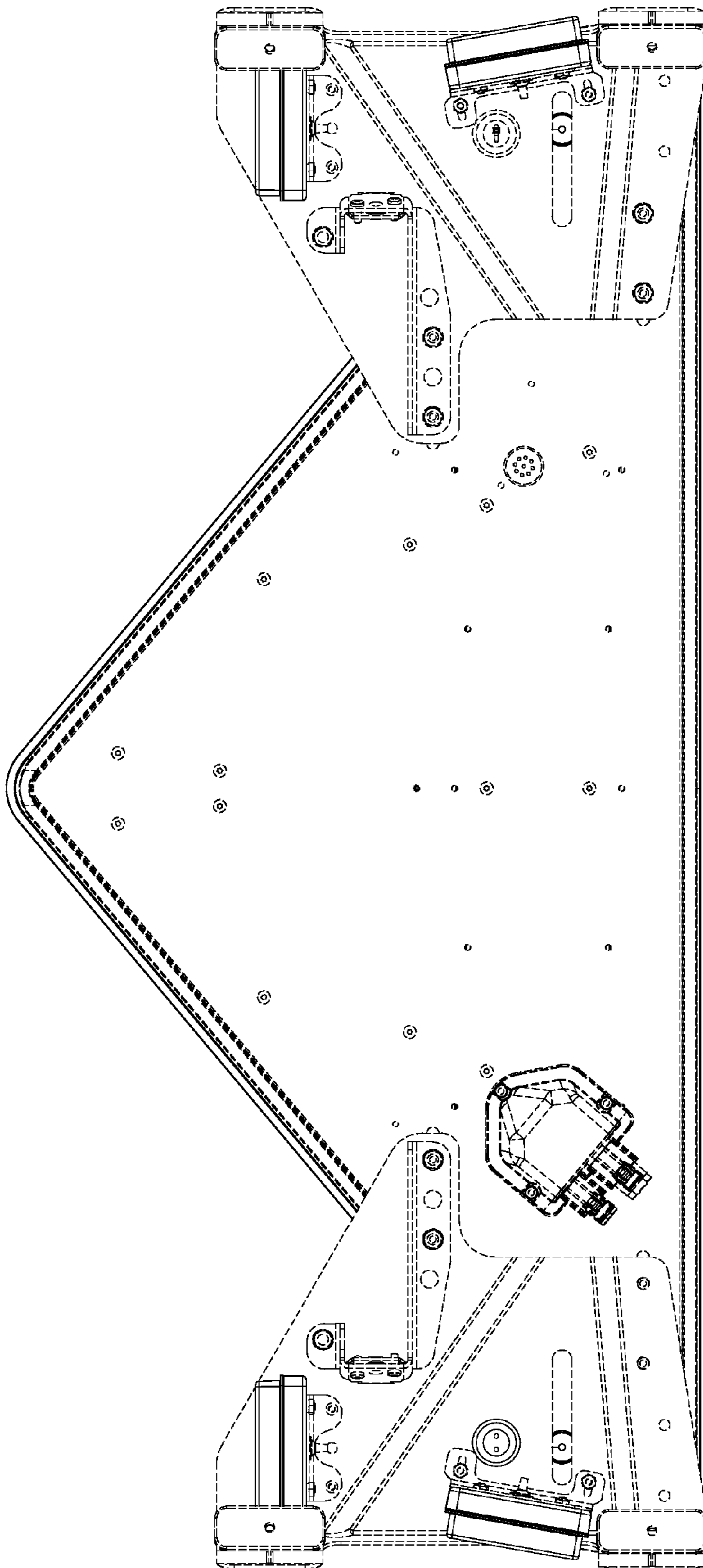


FIG. 6

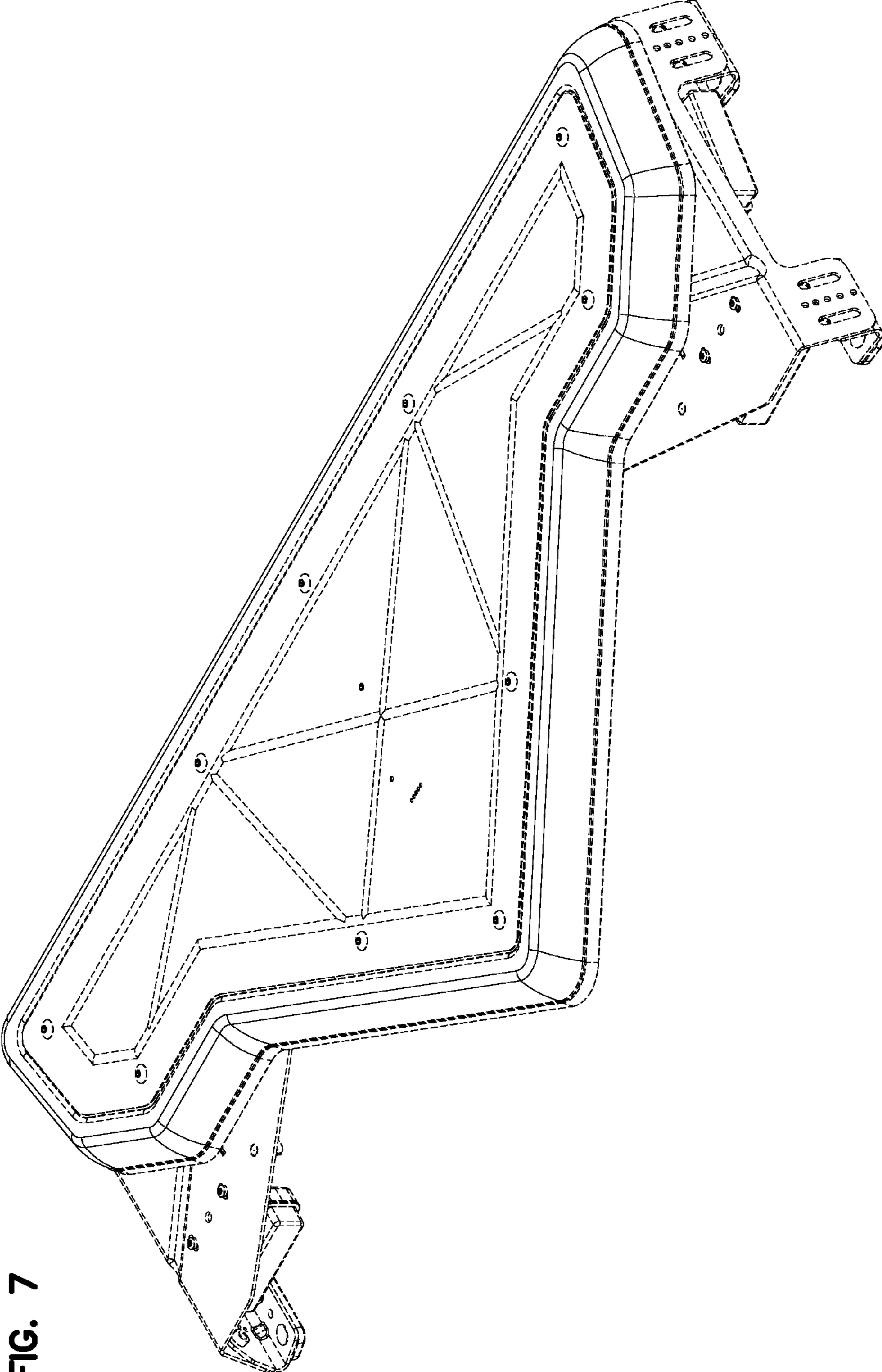


FIG. 7

FIG. 8

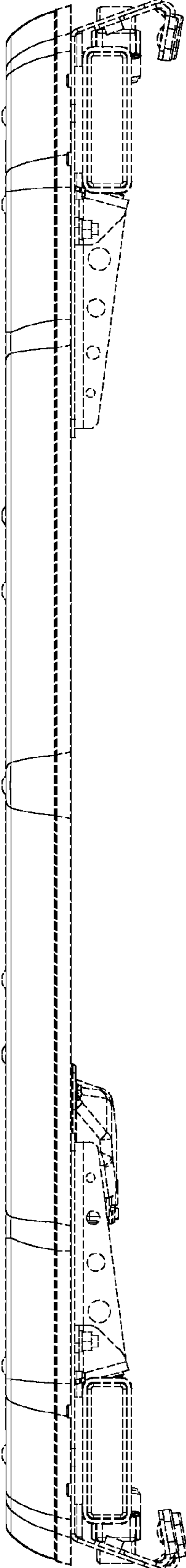


FIG. 9

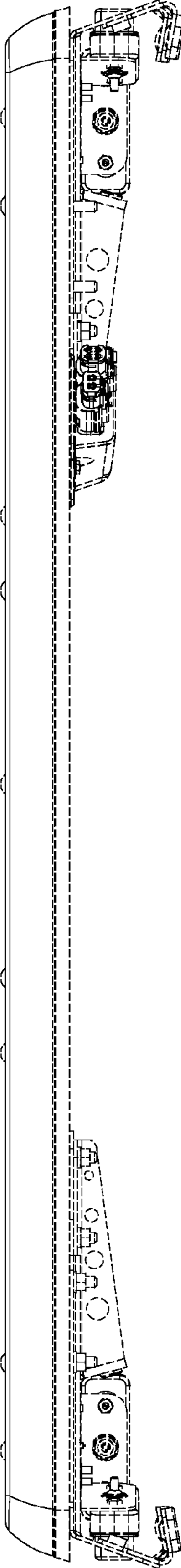


FIG. 10

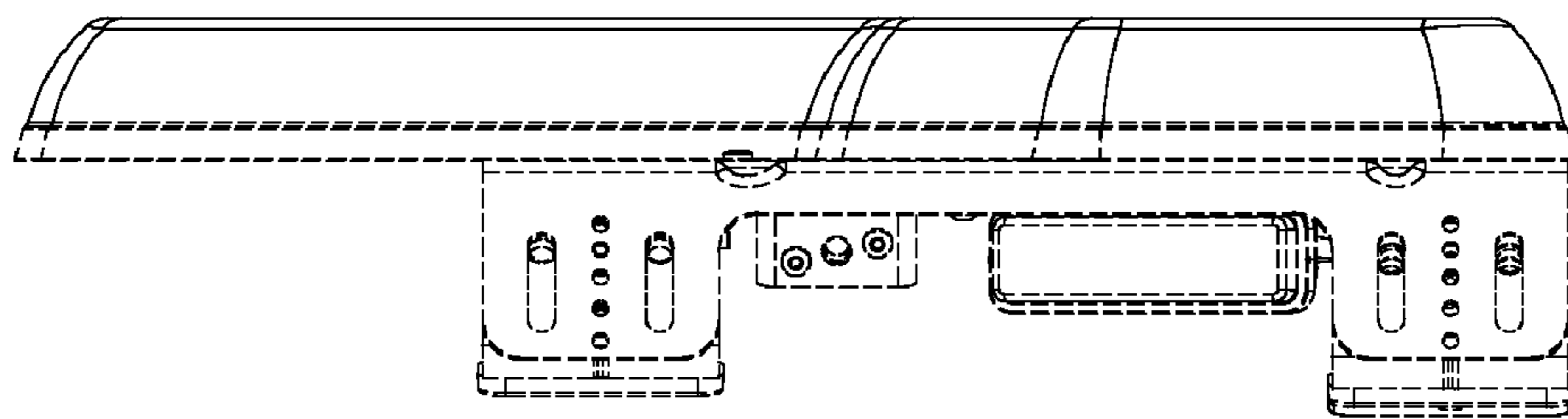


FIG. 11

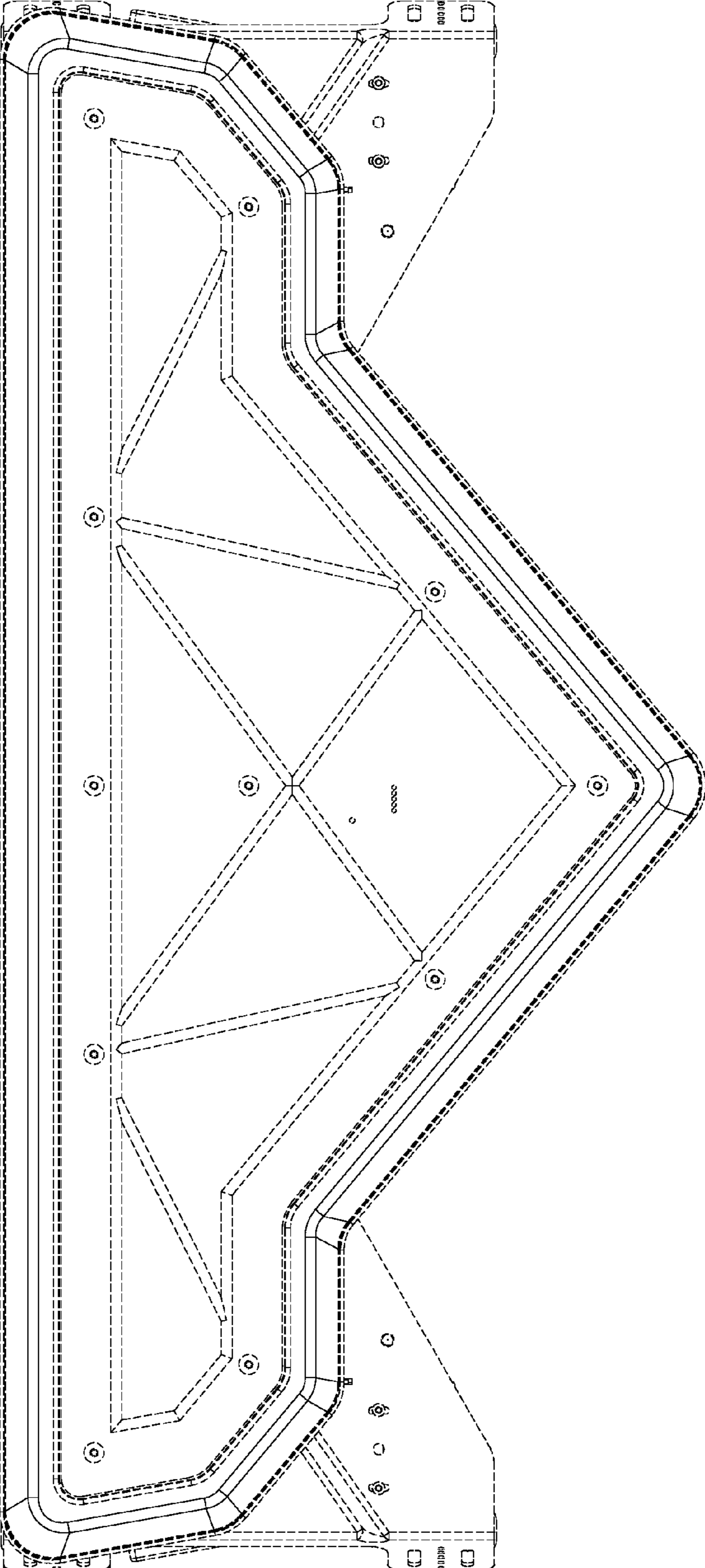
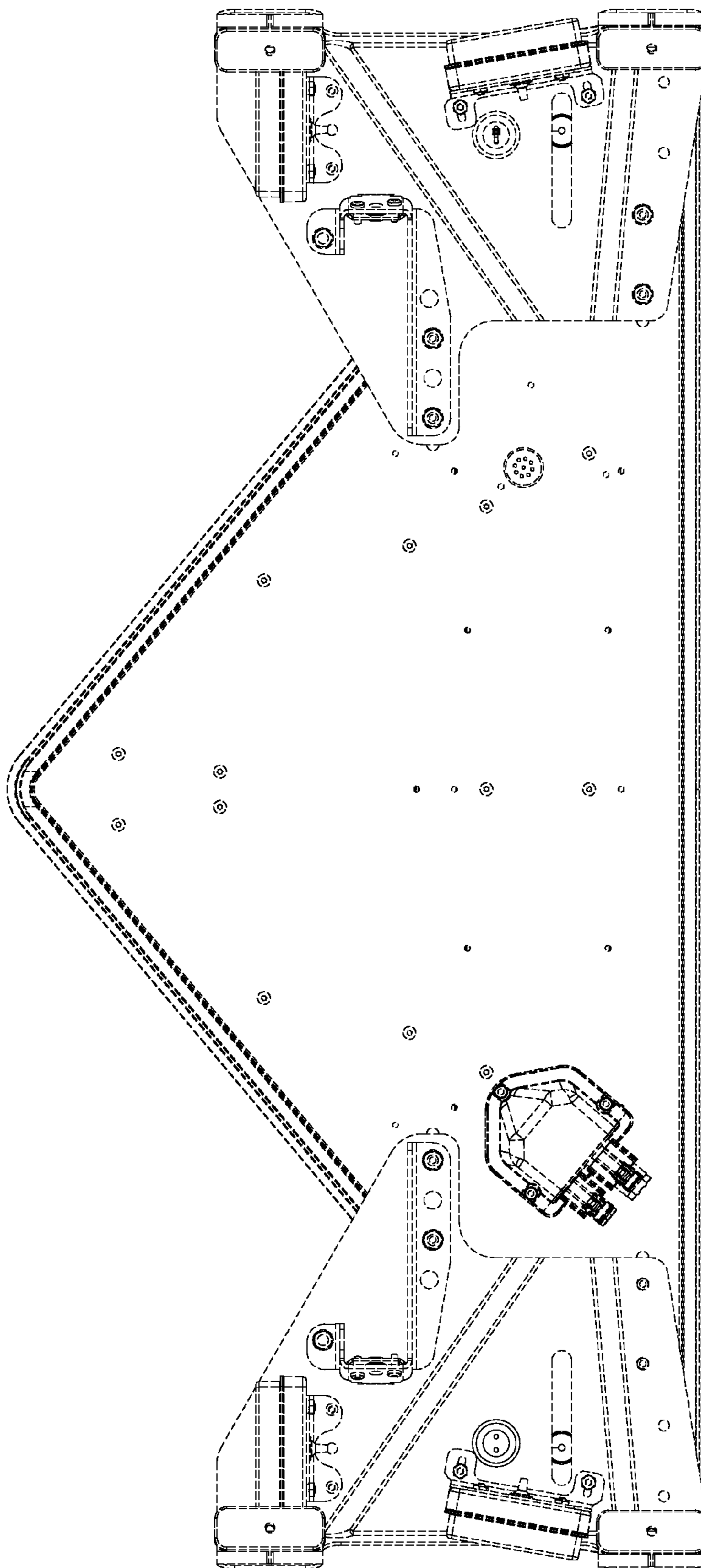


FIG. 12



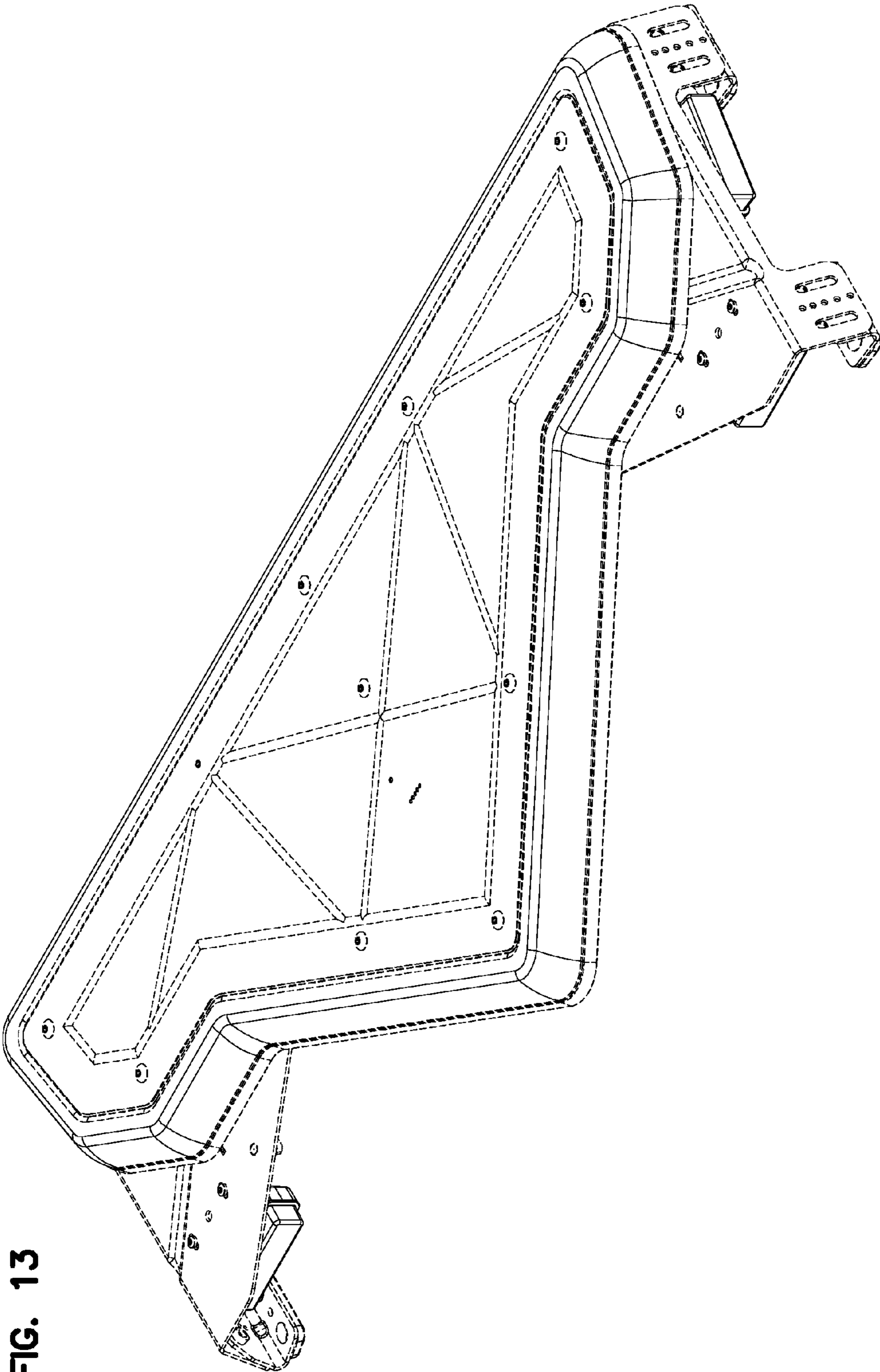


FIG. 13

FIG. 14

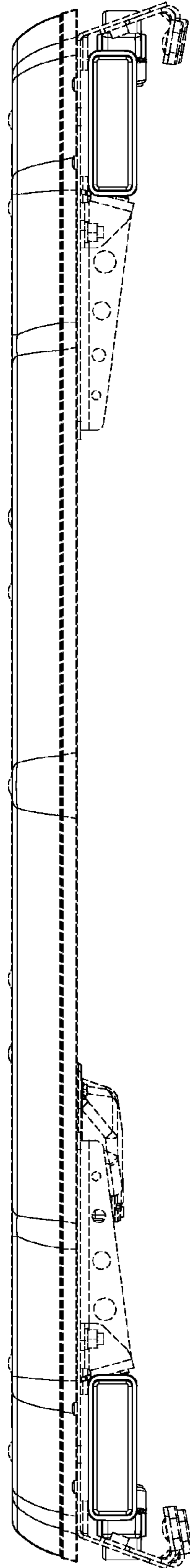


FIG. 15

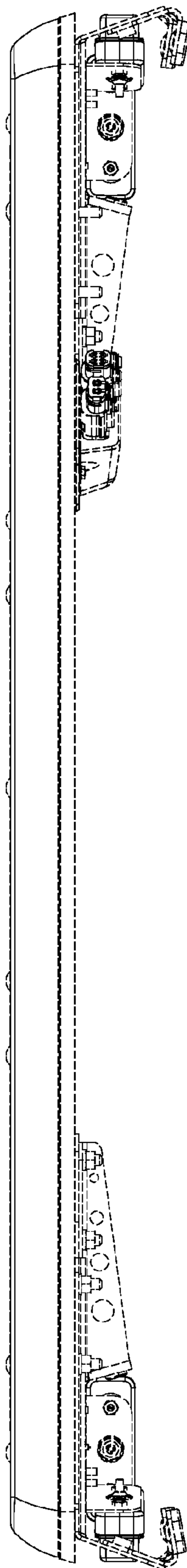


FIG. 16

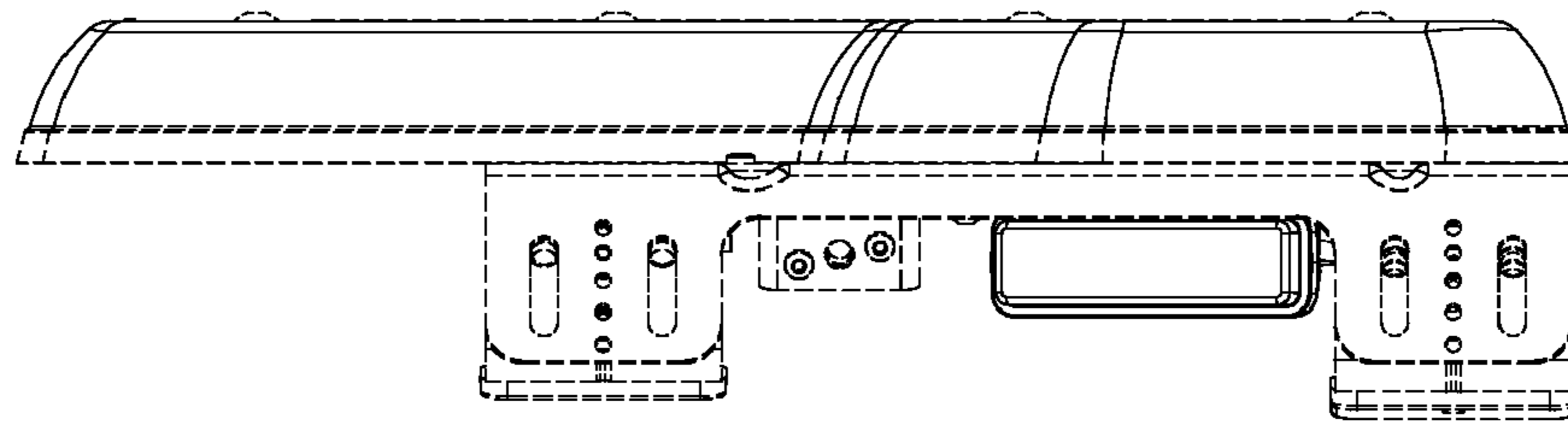
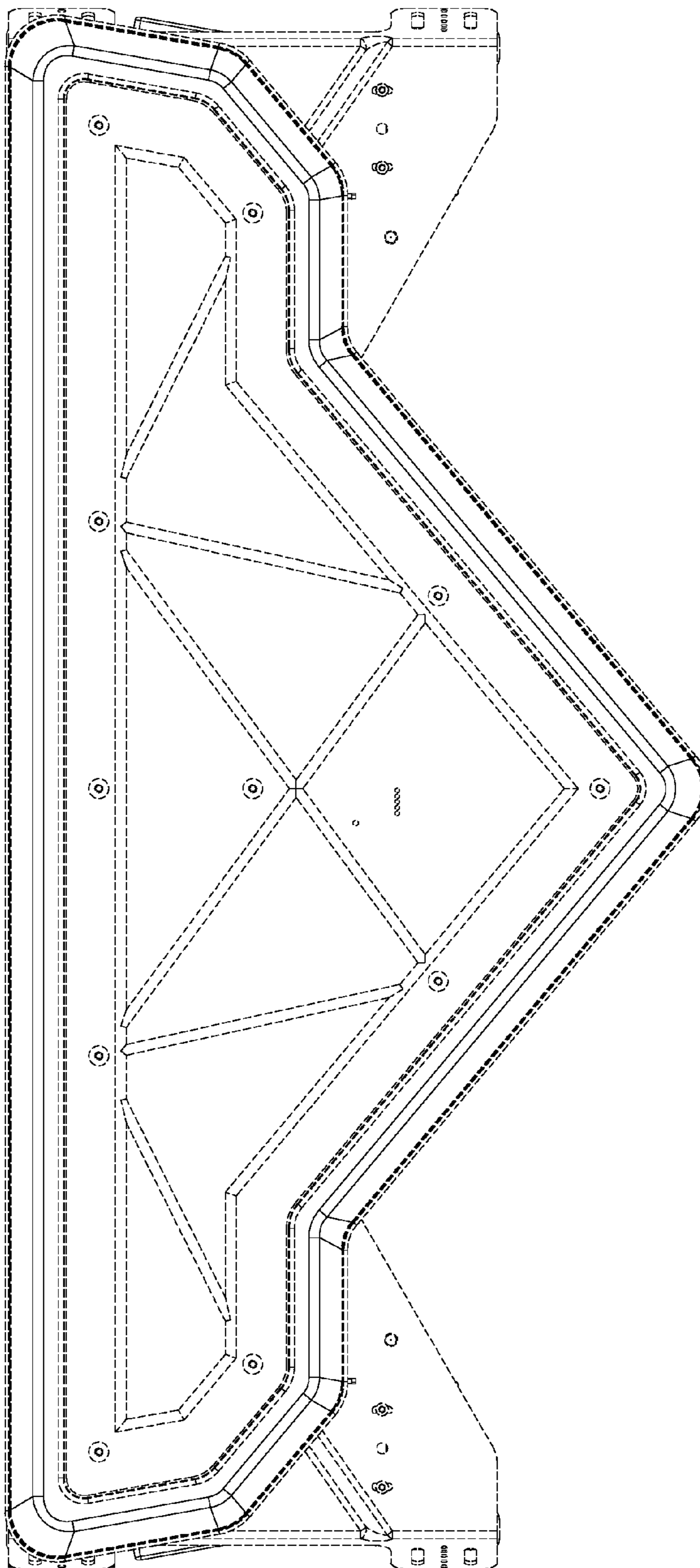


FIG. 17



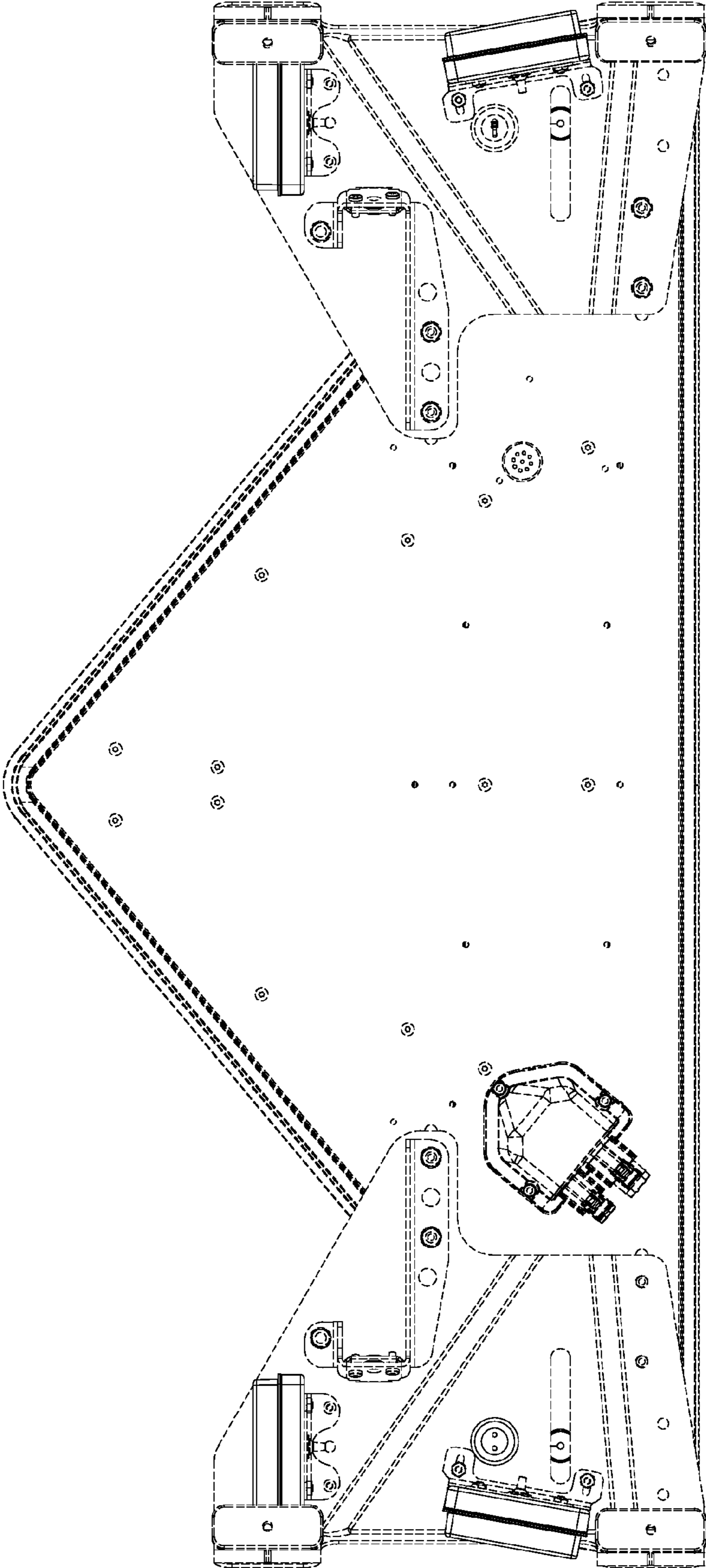


FIG. 18

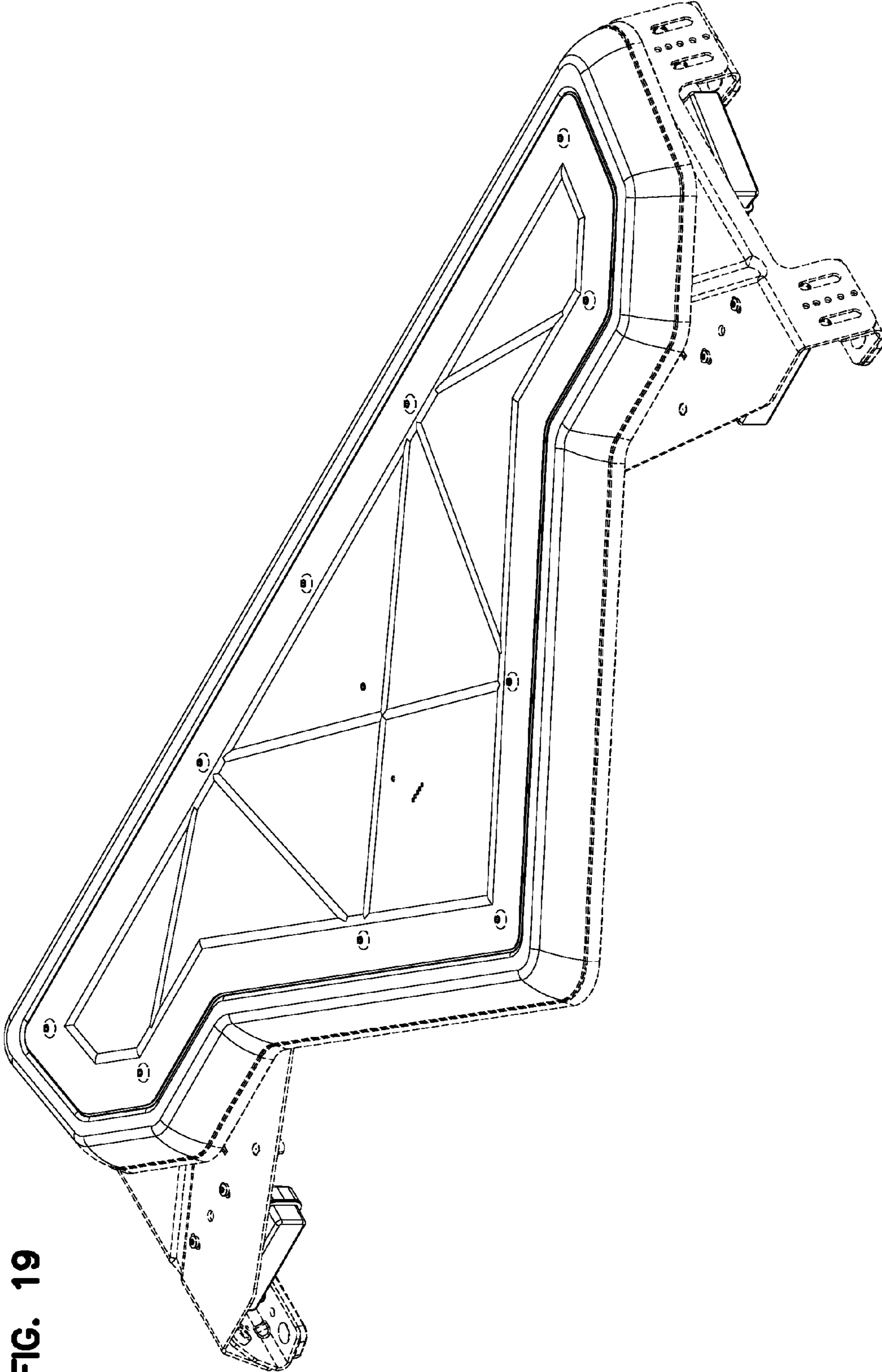


FIG. 19

FIG. 20

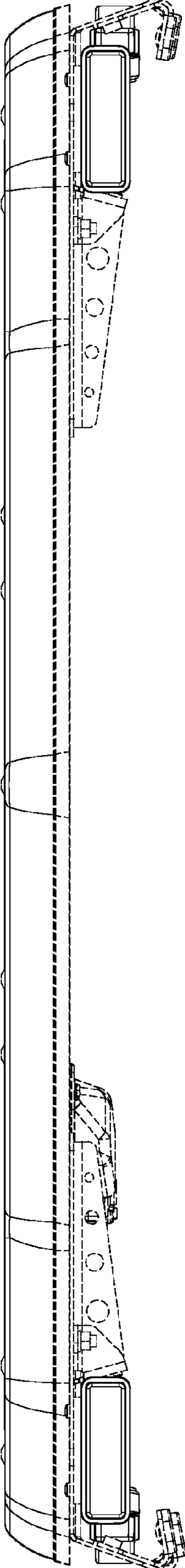


FIG. 21

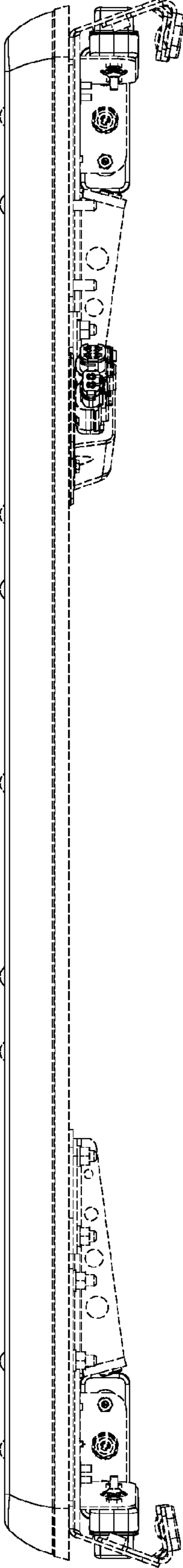


FIG. 22

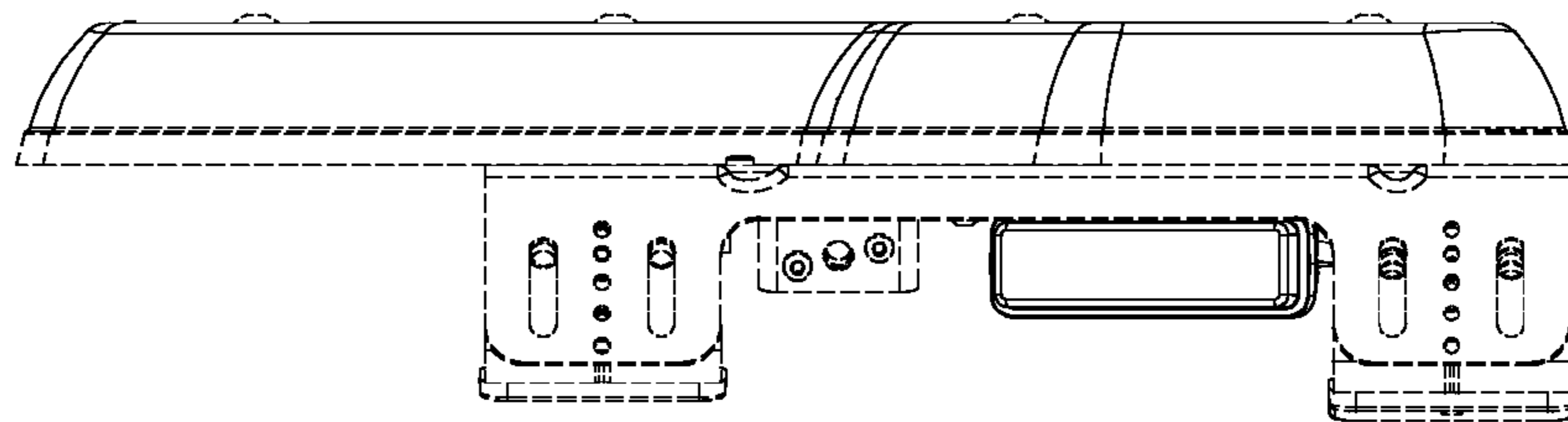
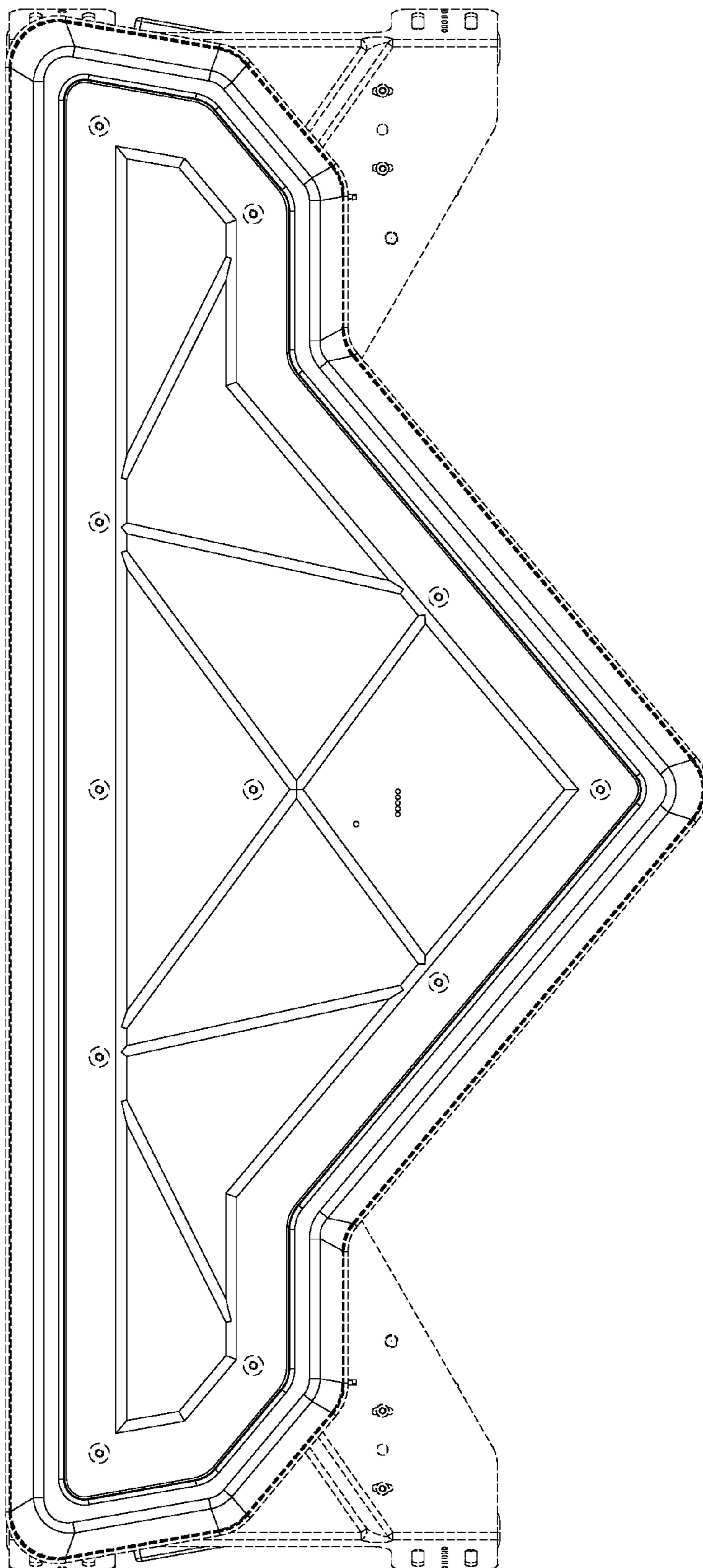


FIG. 23



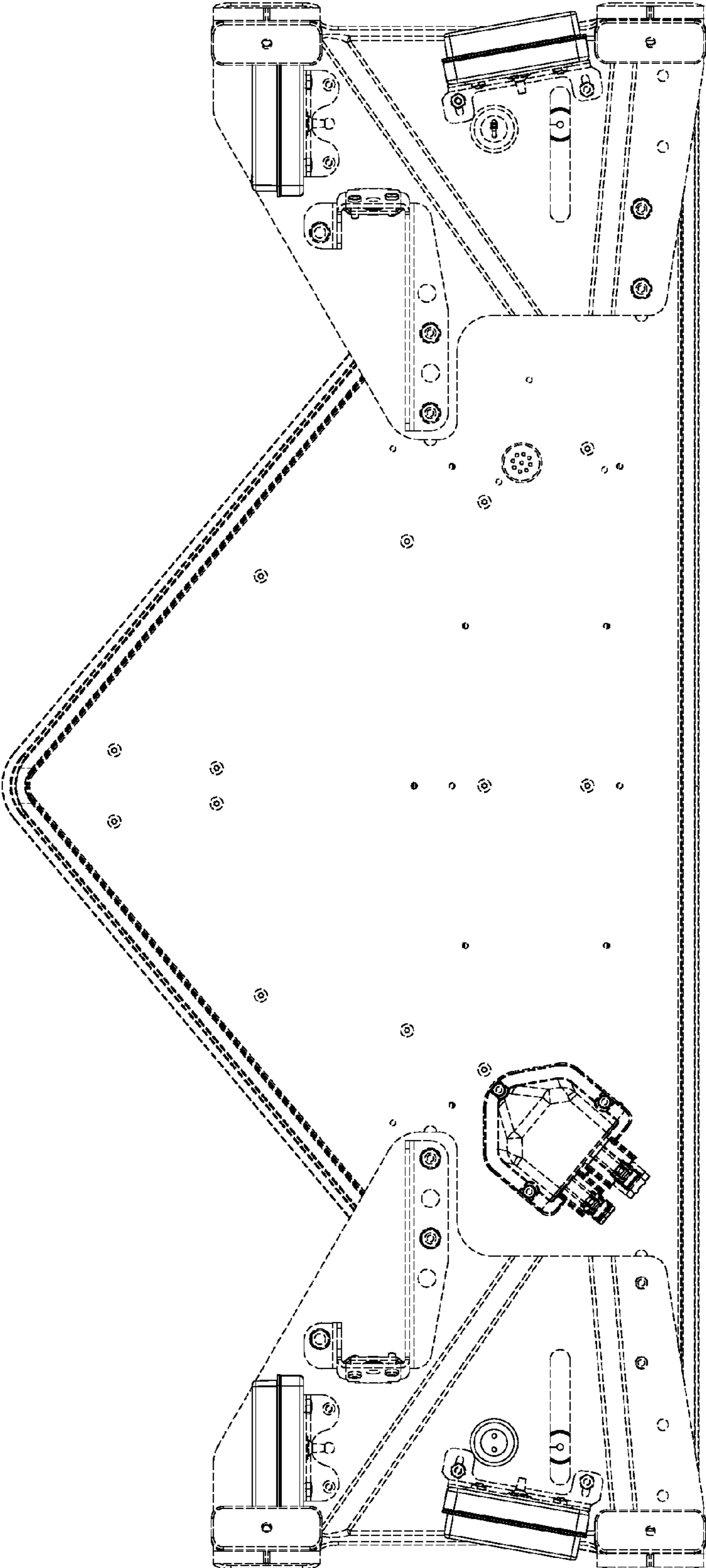


FIG. 24