



US00D659038S

(12) **United States Design Patent**
Steinhauer et al.

(10) **Patent No.:** **US D659,038 S**

(45) **Date of Patent:** **** May 8, 2012**

(54) **PORTABLE TURBIDIMETER**

(75) Inventors: **Frank Steinhauer**, Berlin (DE); **Detlef Liebchen**, Berlin (DE)

(73) Assignee: **Hach Lange GmbH**, Berlin (DE)

(**) Term: **14 Years**

(21) Appl. No.: **29/366,711**

(22) Filed: **Jul. 29, 2010**

(30) **Foreign Application Priority Data**

Feb. 3, 2010 (EM) 001665027

(51) **LOC (9) Cl.** **10-04**

(52) **U.S. Cl.** **D10/81; D10/96**

(58) **Field of Classification Search** D10/46,
D10/81, 96; 250/573-576; 356/244, 246,
356/335-343, 432, 436, 440, 442
See application file for complete search history.

(56) **References Cited**

U.S. PATENT DOCUMENTS

5,506,679 A * 4/1996 Cooper et al. 356/338
5,526,120 A * 6/1996 Jina et al. 356/446
D392,906 S * 3/1998 Shestock et al. D10/78

5,774,209 A * 6/1998 Shestock 356/73
5,872,361 A * 2/1999 Paoli et al. 250/341.8
D449,549 S * 10/2001 Hoelbl D10/81
D458,167 S * 6/2002 Slocum et al. D10/81
D494,079 S * 8/2004 Maeno et al. D10/81
7,928,394 B1 * 4/2011 Richer 250/343
8,009,290 B2 * 8/2011 Unger 356/336

* cited by examiner

Primary Examiner — Antoine D Davis

(74) *Attorney, Agent, or Firm* — Norman B. Thot

(57) **CLAIM**

The ornamental design for a portable turbidimeter, as shown and described.

DESCRIPTION

FIG. 1 is a front, left, top-side perspective view of the portable turbidimeter showing our new design;
FIG. 2 is a top view thereof;
FIG. 3 is a bottom view thereof;
FIG. 4 is a left-side view thereof;
FIG. 5 is a right-side view thereof;
FIG. 6 is a front view thereof; and,
FIG. 7 is a back view thereof.

1 Claim, 7 Drawing Sheets

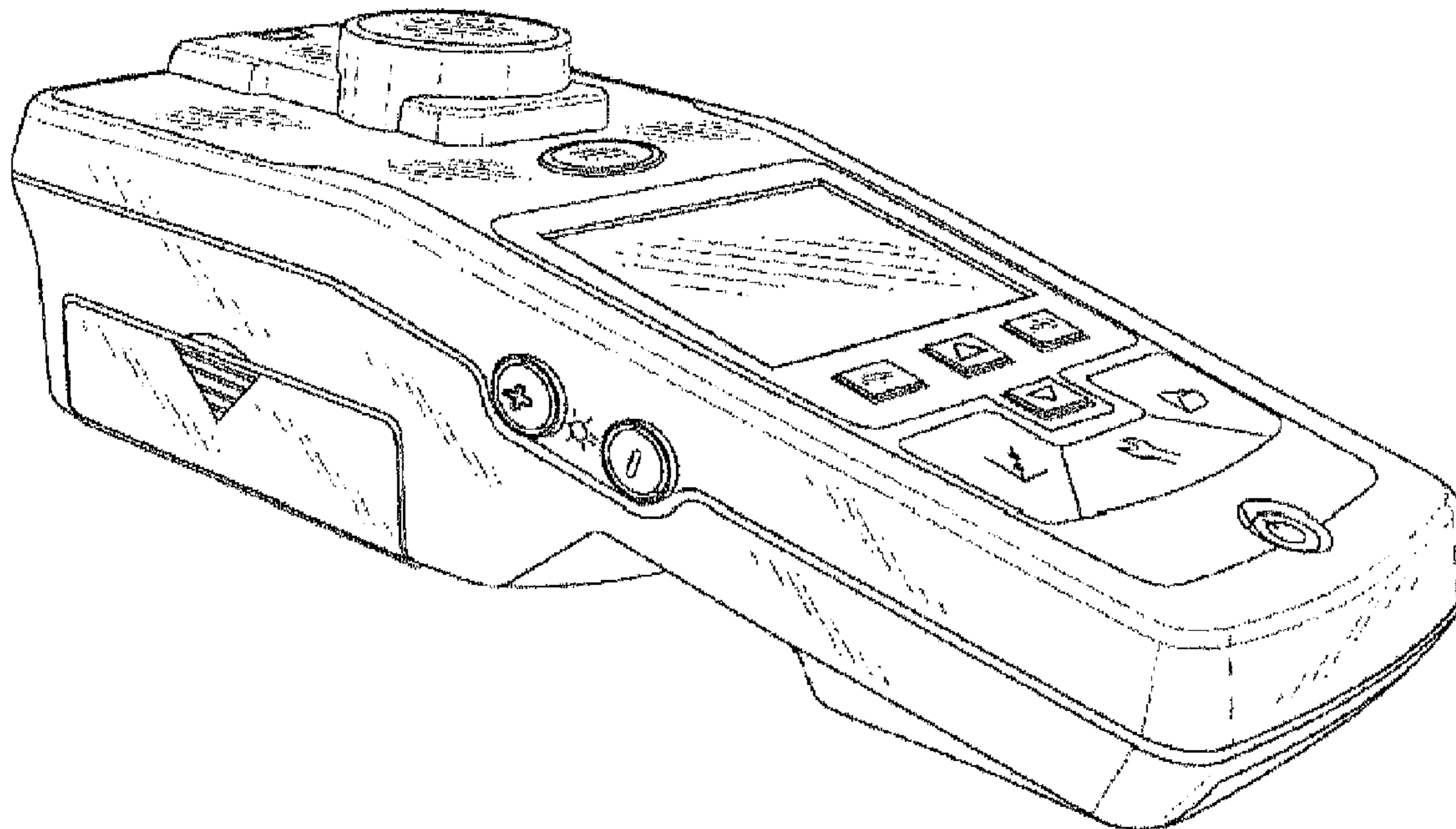


Fig. 1

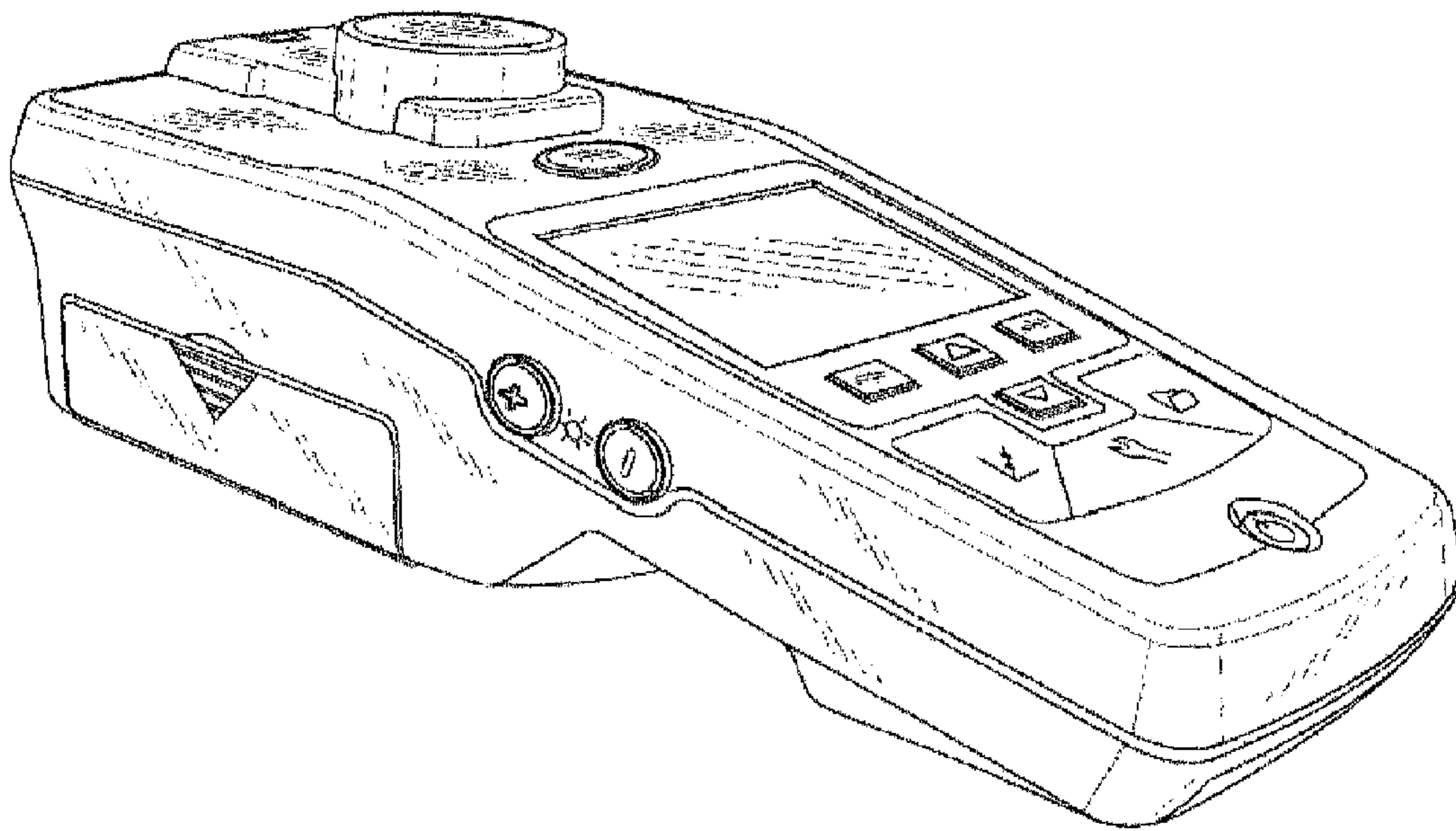


Fig. 2

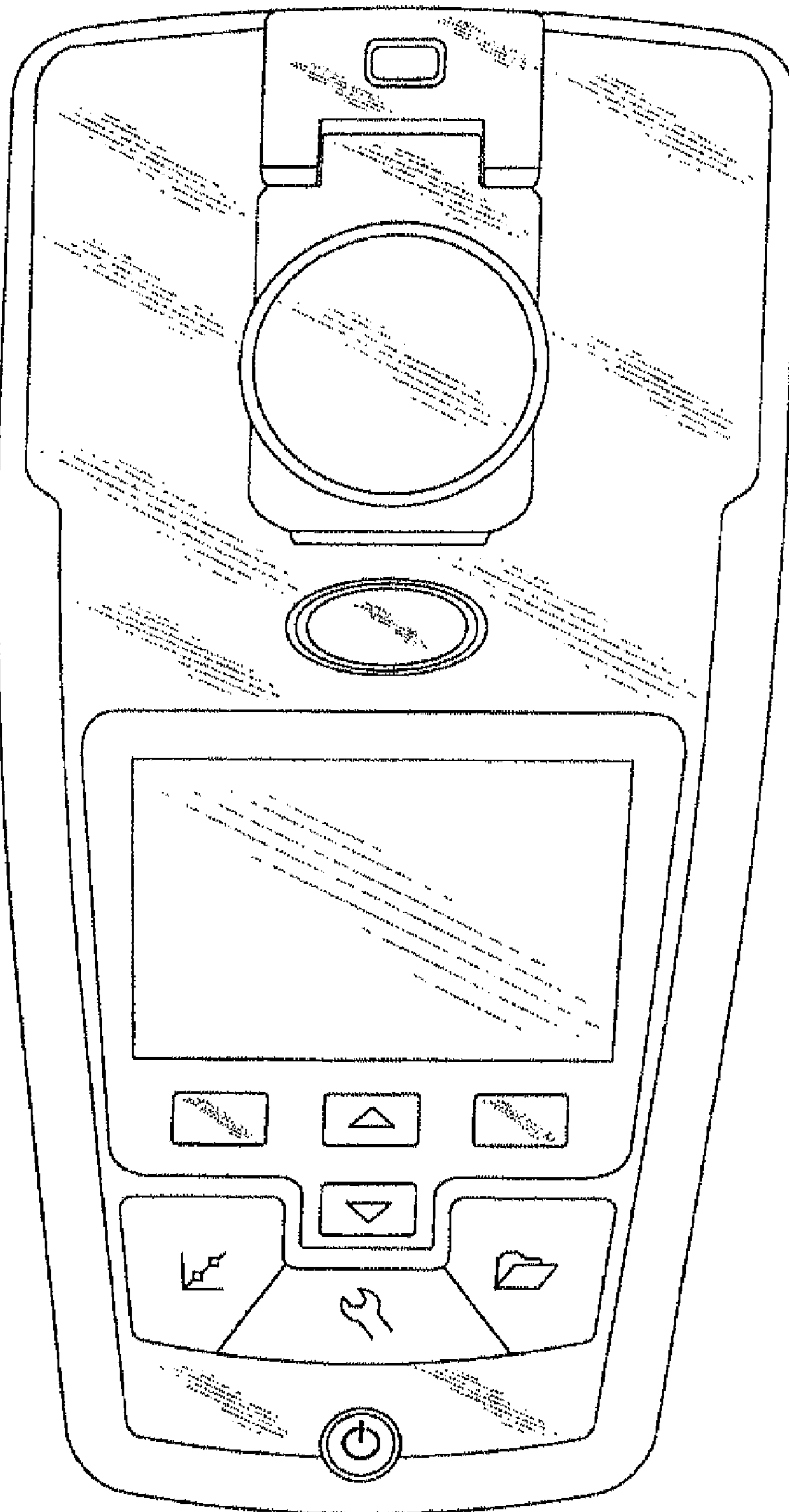


Fig. 3

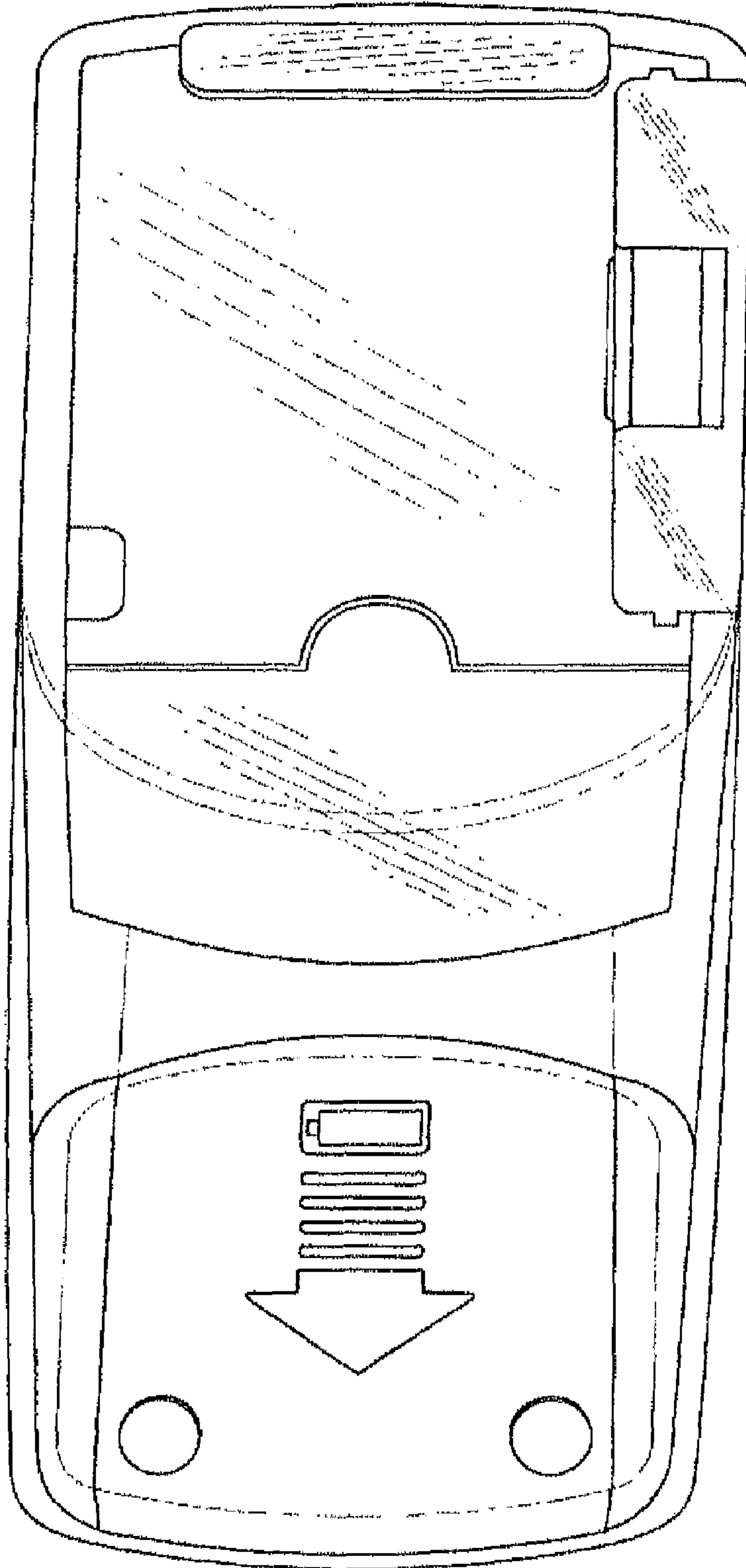


Fig 4

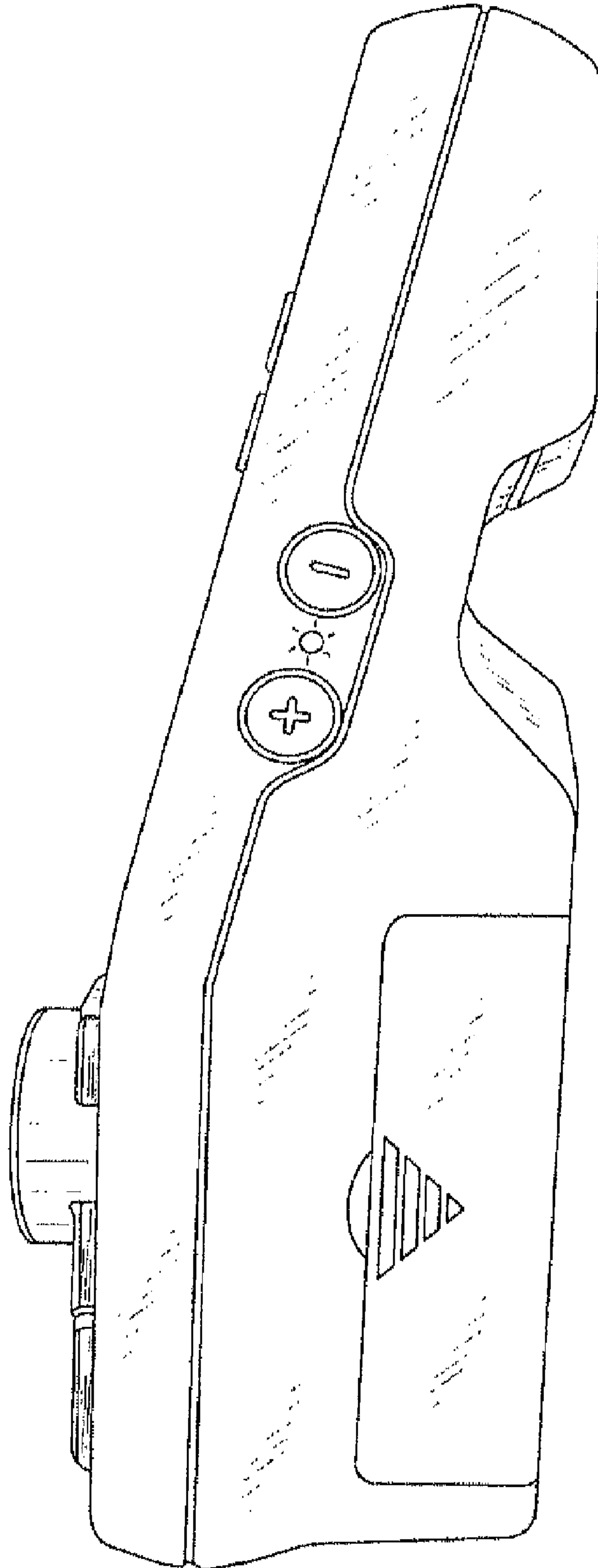


Fig. 5

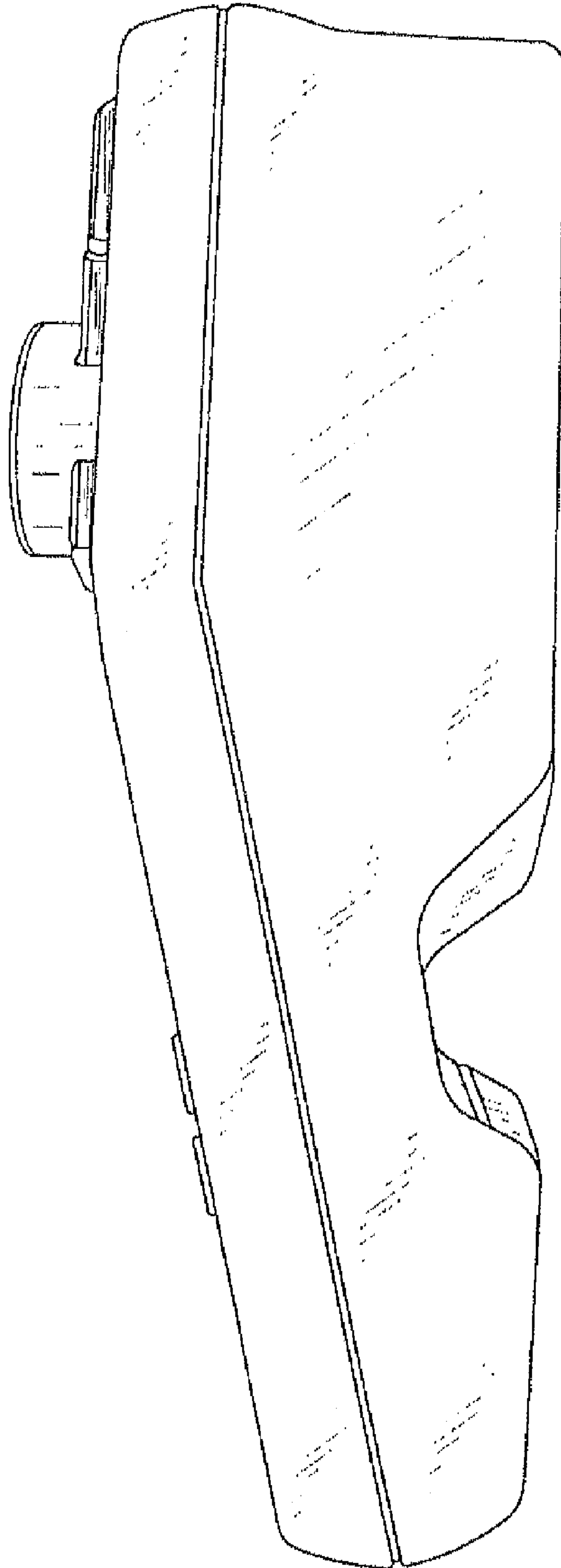


Fig. 6

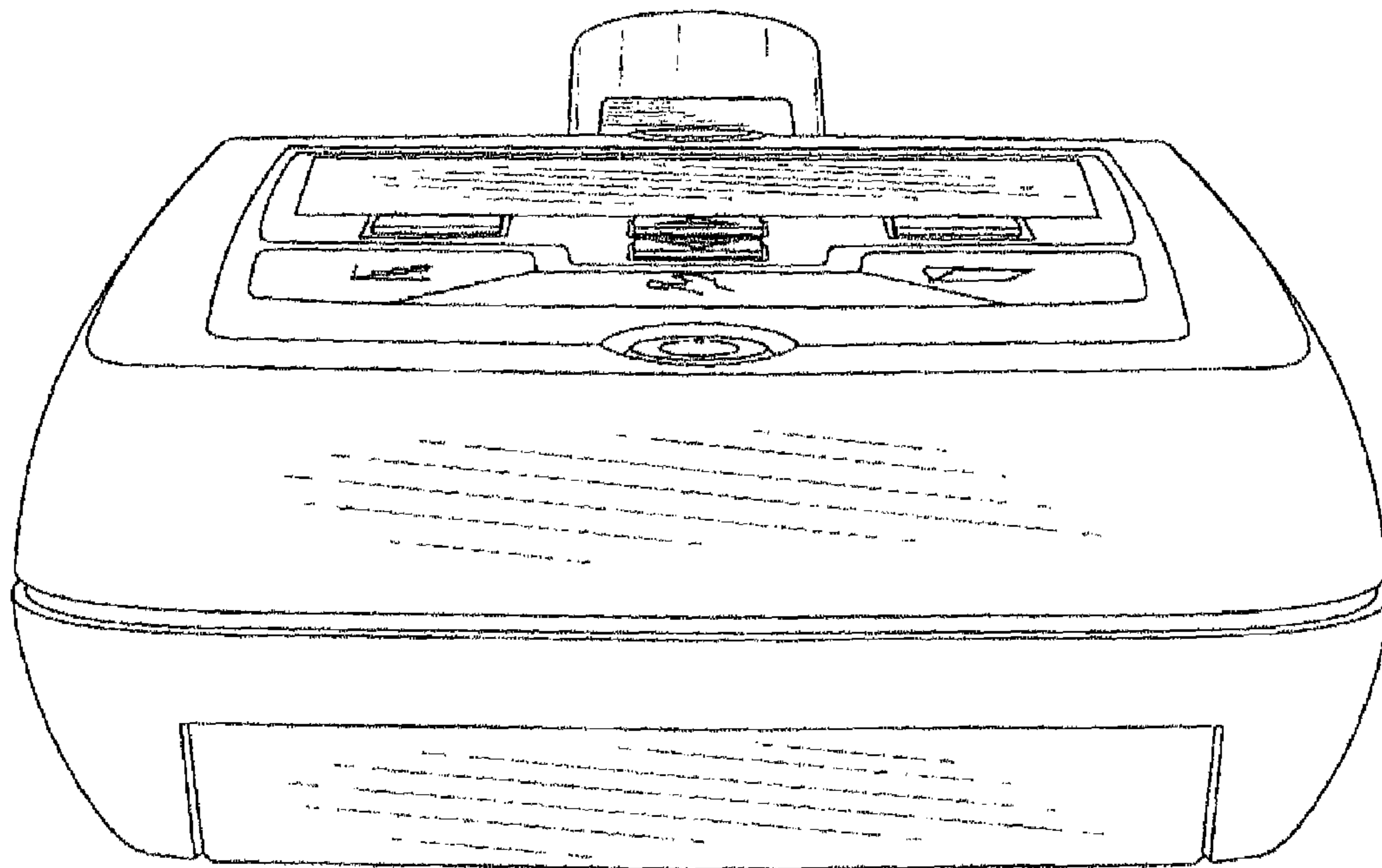


Fig. 7

