



US00D659033S

(12) **United States Design Patent**
Bailey et al.

(10) **Patent No.:** **US D659,033 S**
(45) **Date of Patent:** **** May 8, 2012**

- (54) **HANDLE FOR A MEASUREMENT DEVICE**
- (75) Inventors: **Brent Bailey**, Winter Springs, FL (US);
Marc M. Barber, Deltona, FL (US)
- (73) Assignee: **Faro Technologies, Inc.**, Lake Mary, FL (US)
- (**) Term: **14 Years**
- (21) Appl. No.: **29/379,173**
- (22) Filed: **Nov. 16, 2010**
- (51) **LOC (9) Cl.** **10-04**
- (52) **U.S. Cl.** **D10/63; D15/199**
- (58) **Field of Classification Search** **D10/63;**
D15/199; 33/503–505, 558, 502, 561;
74/491.01–490.15; 319/560; 700/245, 262,
700/195, 80; 702/150–156, 94, 95, 167–169
See application file for complete search history.

2010/0095542	A1	4/2010	Ferrari	
2010/0208062	A1	8/2010	Pettersson	
2010/0325907	A1*	12/2010	Tait	33/503
2011/0178766	A1*	7/2011	York et al.	702/154
2011/0192043	A1*	8/2011	Ferrari	33/503

FOREIGN PATENT DOCUMENTS

EP	2068067	6/2009
EP	2068114	6/2009
WO	2009130169	10/2009

* cited by examiner

Primary Examiner — Antoine D Davis

(74) *Attorney, Agent, or Firm* — Cantor Colburn LLP

(57) **CLAIM**

We claim, the ornamental design for a handle for a measurement device, as shown and described.

DESCRIPTION

FIG. 1 is a perspective view of a first embodiment of the invention;
 FIG. 2 is a front plan view of the embodiment of FIG. 1;
 FIG. 3 is a rear plan view of the embodiment of FIG. 1;
 FIG. 4 is a side plan view of the embodiment of FIG. 1;
 FIG. 5 is a top plan view of the embodiment of FIG. 1;
 FIG. 6 is a bottom plan view of the embodiment of FIG. 1;
 FIG. 7 is a perspective view of a second embodiment of the invention;
 FIG. 8 is a front plan view of the embodiment of FIG. 7;
 FIG. 9 is a rear plan view of the embodiment of FIG. 7;
 FIG. 10 is a side plan view of the embodiment of FIG. 7;
 FIG. 11 is a top plan view of the embodiment of FIG. 7, the bottom plan view being the same as FIG. 6;
 FIG. 12 is a perspective view of a third embodiment of the invention;
 FIG. 13 is a front plan view of the embodiment of FIG. 12, the rear plan view being the same as FIG. 9;
 FIG. 14 is a side plan view of the embodiment of FIG. 12;
 FIG. 15 is a bottom plan view of the embodiment of FIG. 12, the top plan view being the same as FIG. 11;
 FIG. 16 is a perspective view of a fourth embodiment of the invention;
 FIG. 17 is a front plan view of the embodiment of FIG. 16, the rear plan view being the same as FIG. 9;
 FIG. 18 is a side plan view of the embodiment of FIG. 16;

(56) **References Cited**

U.S. PATENT DOCUMENTS

5,768,792	A	6/1998	Raab
5,926,782	A	7/1999	Raab
5,978,748	A	11/1999	Raab
D423,534	S	4/2000	Raab et al.
6,131,299	A	10/2000	Raab et al.
6,151,789	A	11/2000	Raab et al.
D441,632	S	5/2001	Raab et al.
6,253,458	B1	7/2001	Raab et al.
D472,824	S	4/2003	Raab et al.
D491,210	S	6/2004	Raab et al.
7,024,032	B2	4/2006	Kidd et al.
7,525,276	B2	4/2009	Eaton
D599,226	S	9/2009	Gerent et al.
7,624,510	B2	12/2009	Ferrari
D607,350	S	1/2010	Cooduvalli et al.
7,693,325	B2	4/2010	Pulla et al.
7,743,524	B2	6/2010	Eaton et al.
7,779,548	B2	8/2010	Ferrari
7,779,553	B2	8/2010	Jordil et al.
2006/0291970	A1	12/2006	Granger
2008/0052936	A1	3/2008	Briggs et al.
2008/0148585	A1	6/2008	Raab et al.
2009/0083985	A1	4/2009	Ferrari
2009/0249634	A1	10/2009	Pettersson

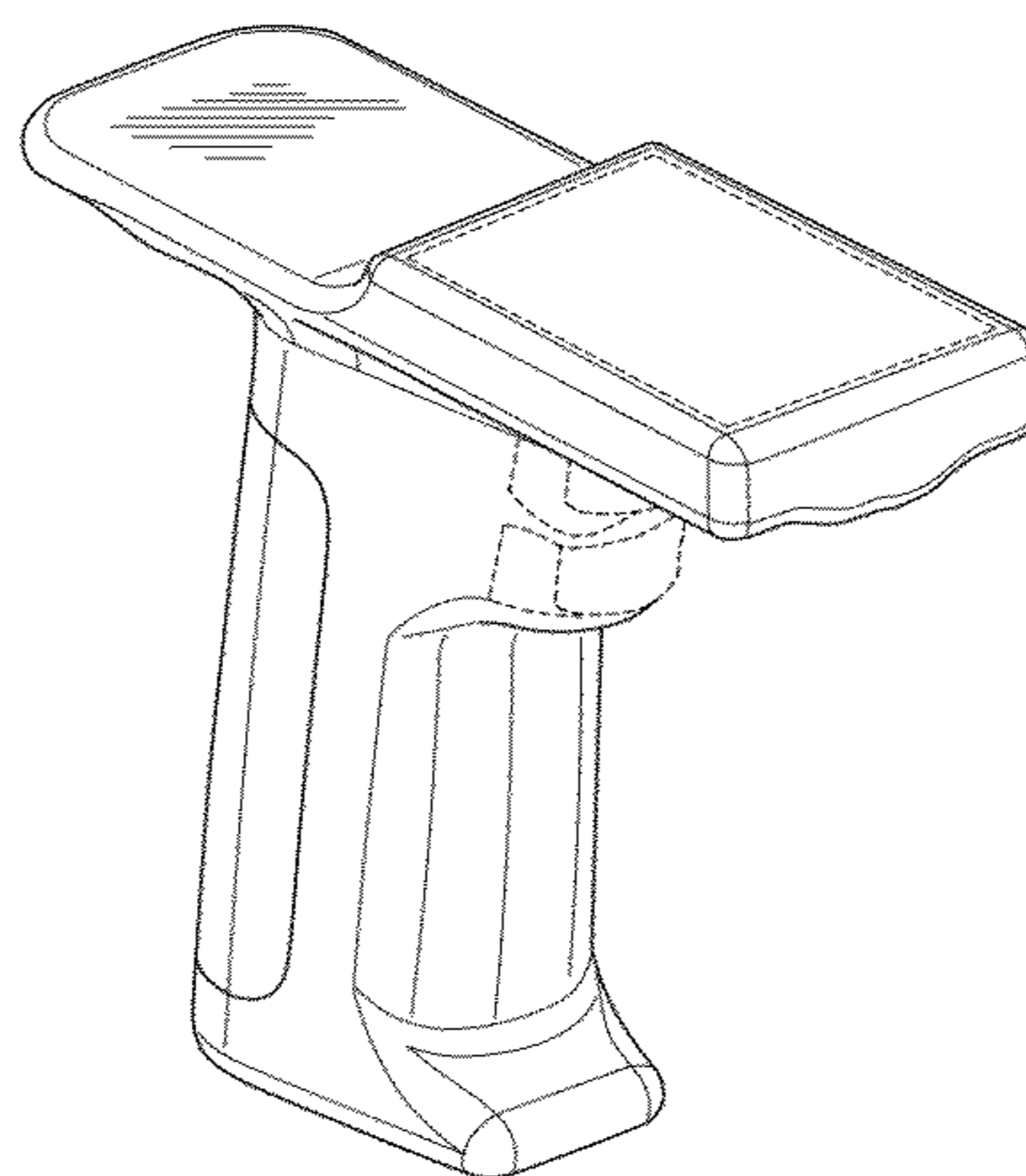


FIG. 19 is a bottom plan view of the embodiment of FIG. 18, the top plan view being the same as FIG. 11;

FIG. 20 is a perspective view of a fifth embodiment of the invention;

FIG. 21 is a front plan view of the embodiment of FIG. 20;

FIG. 22 is a rear plan view of the embodiment of FIG. 20;

FIG. 23 is a side plan view of the embodiment of FIG. 20;

FIG. 24 is a top plan view of the embodiment of FIG. 20, the bottom plan view being the same as FIG. 19; and,

FIG. 25 is another perspective view of the embodiment of FIG. 20.

The phantom lines shown in FIG. 1-FIG. 2, FIG. 4-FIG. 18, FIG. 20-FIG. 25 are environmental and not part of the claimed design.

The color and shading shown in FIG. 1-FIG. 25 forms no part of the claimed design, the handle for a measurement device according to the claimed design may be any color or combination of colors.

The surface treatment shown in FIG. 1-FIG. 25 forms no part of the claimed design, the handle for a measurement device of the claimed design may have any surface treatment.

References to "side", "top", "front", "rear" and "bottom" in the figure descriptions are not meant to require certain in-use orientation; a handle for a measurement device according to the claimed design may be used in any orientation.

1 Claim, 17 Drawing Sheets

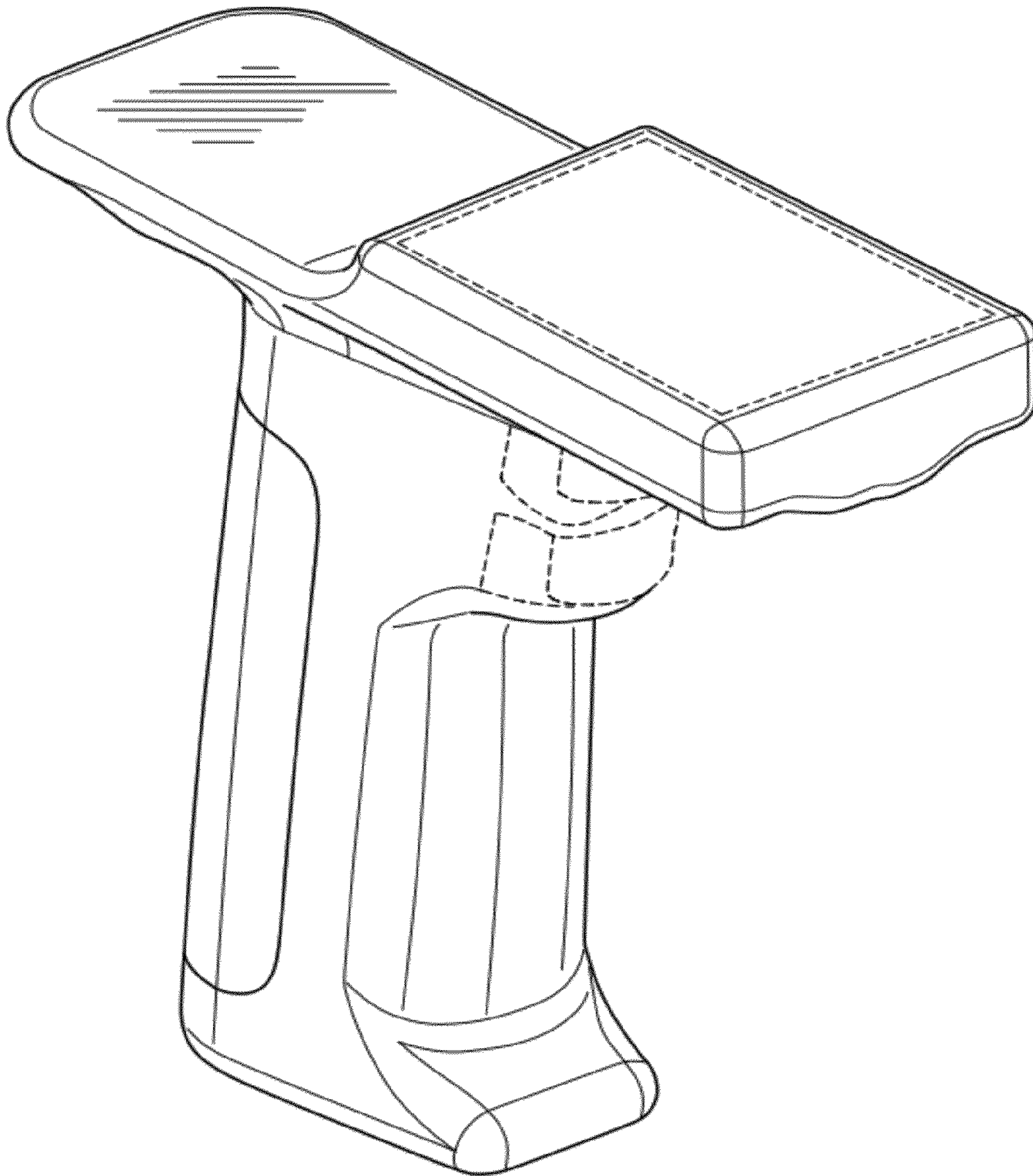


FIG. 1

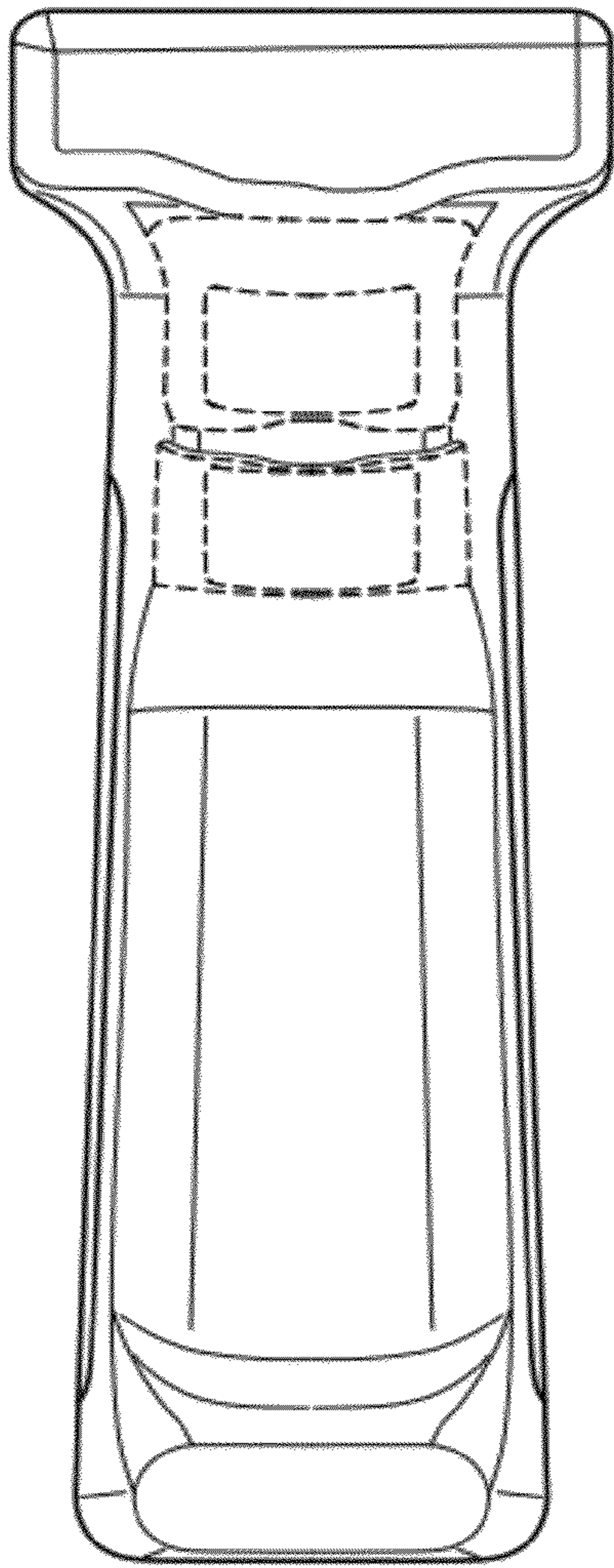


FIG. 2

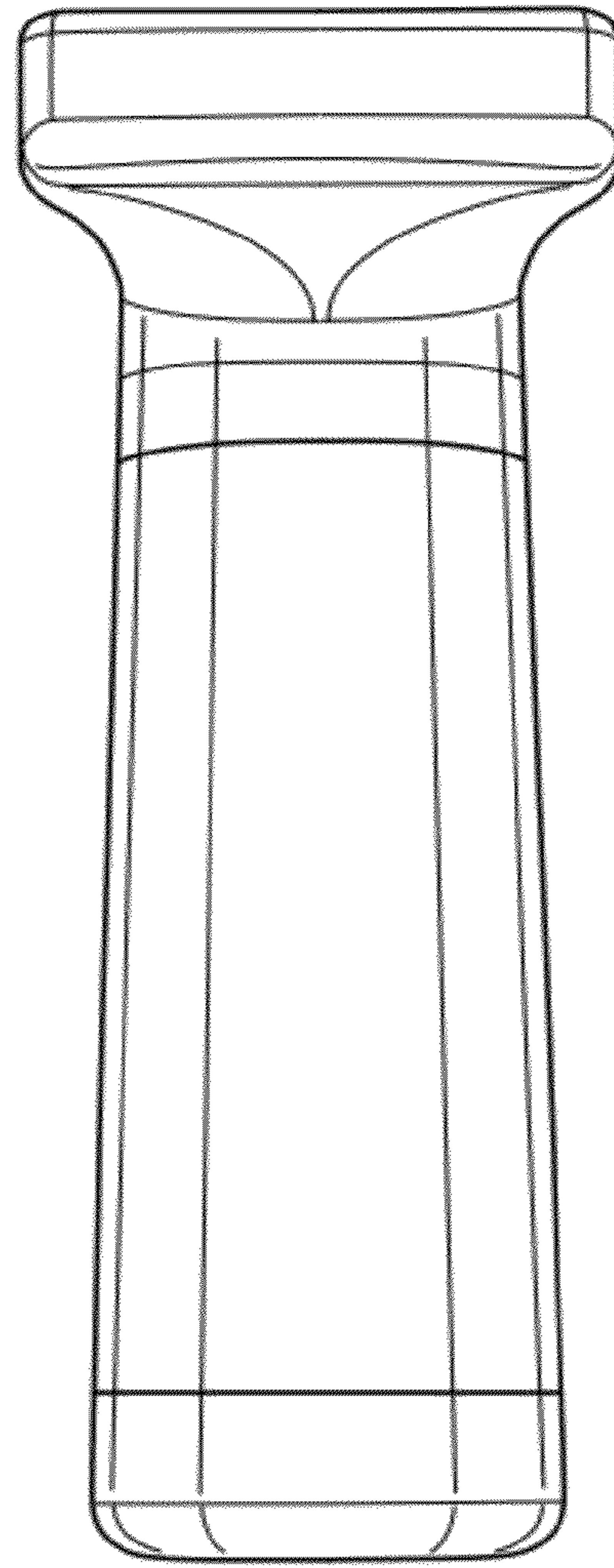


FIG. 3

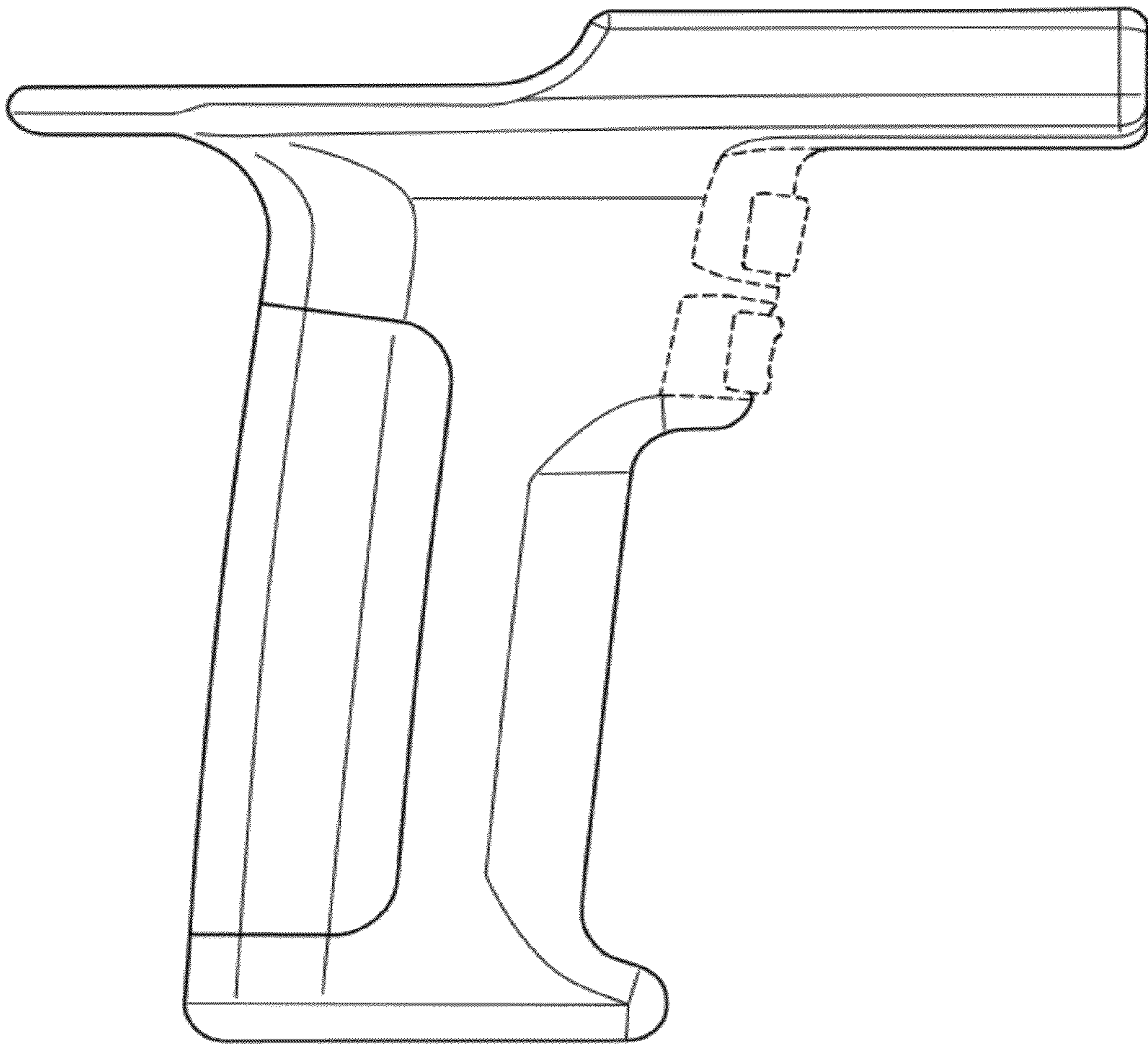


FIG. 4

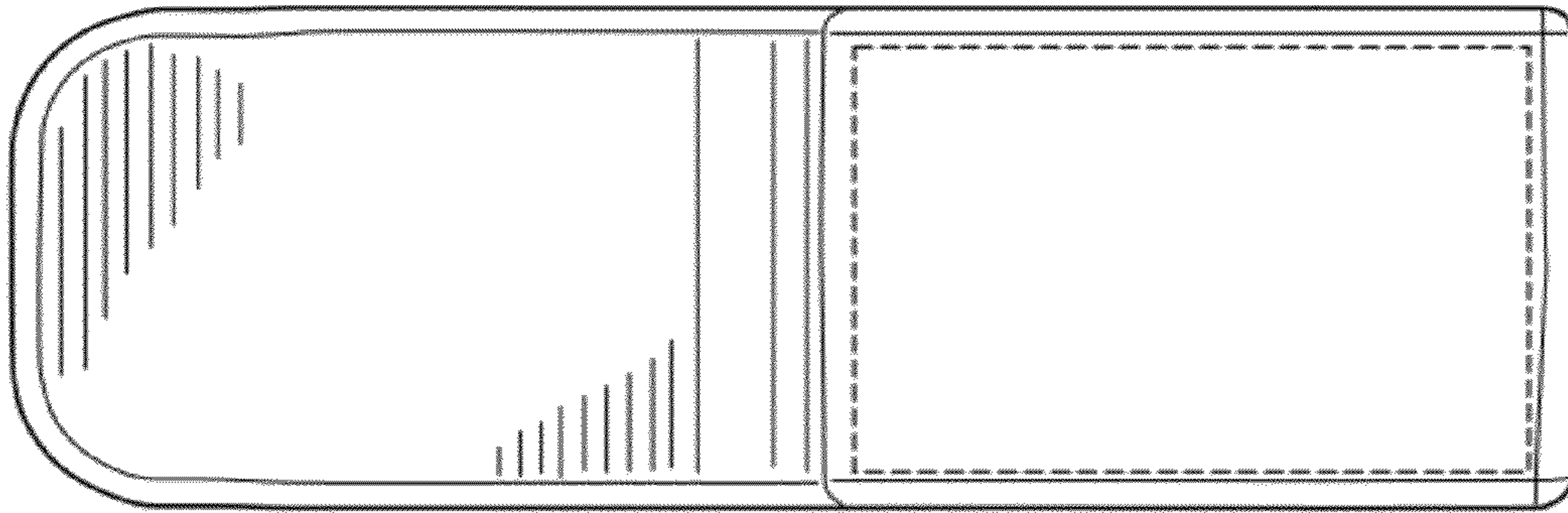


FIG. 5

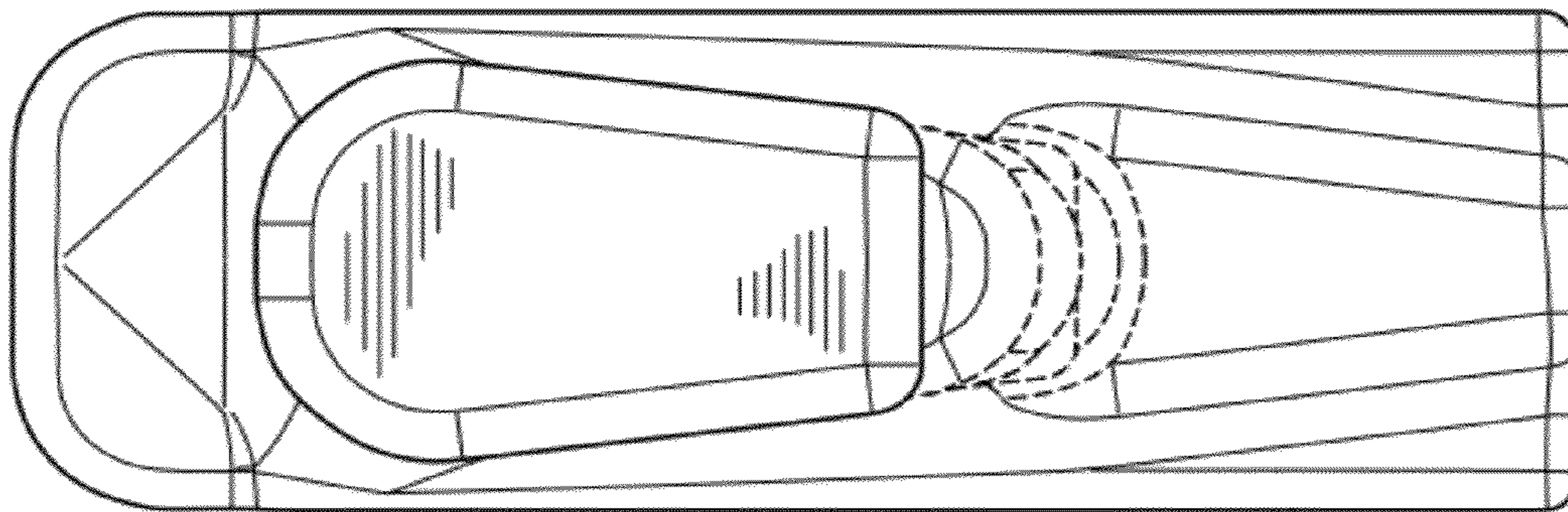


FIG. 6

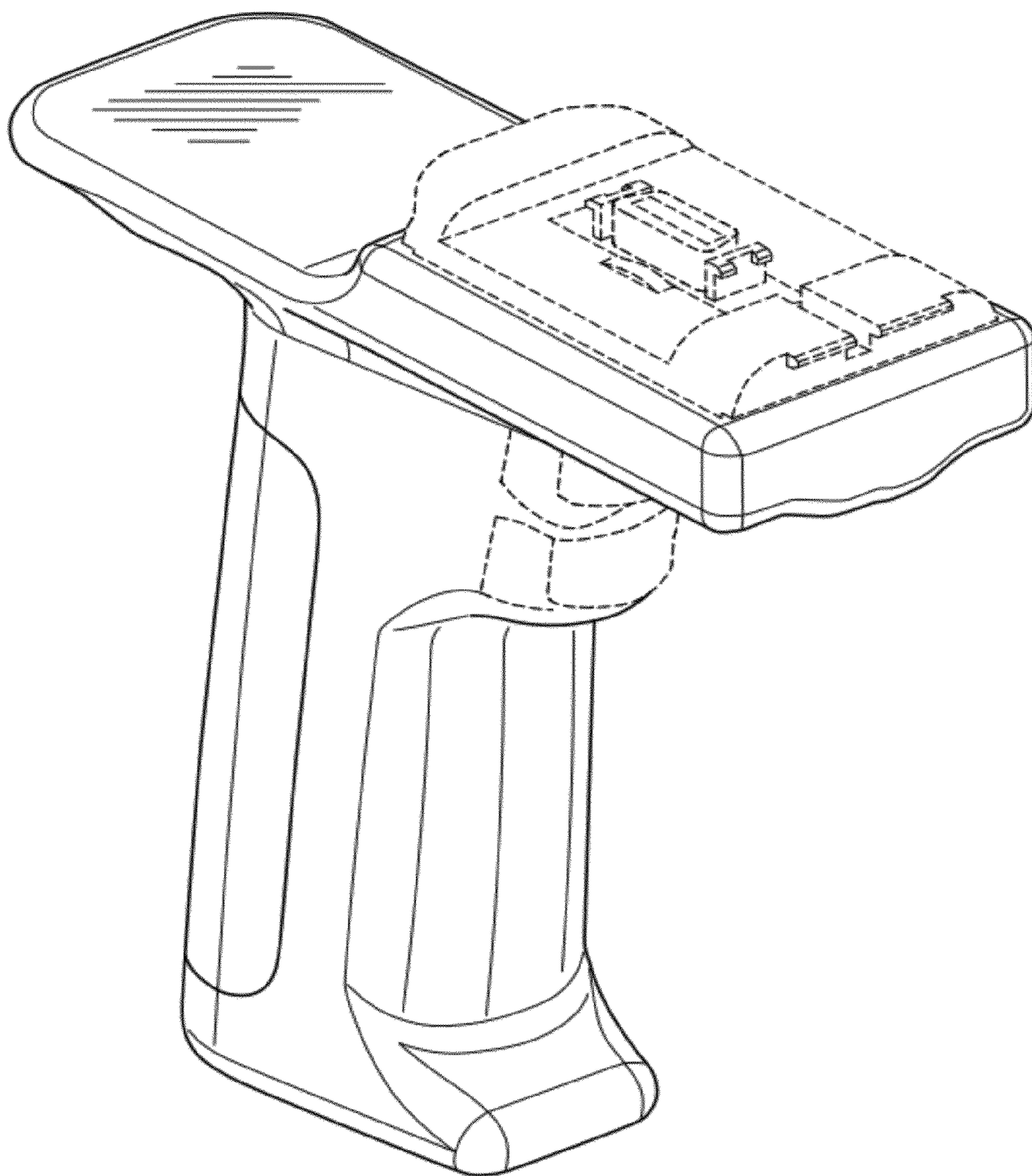


FIG. 7

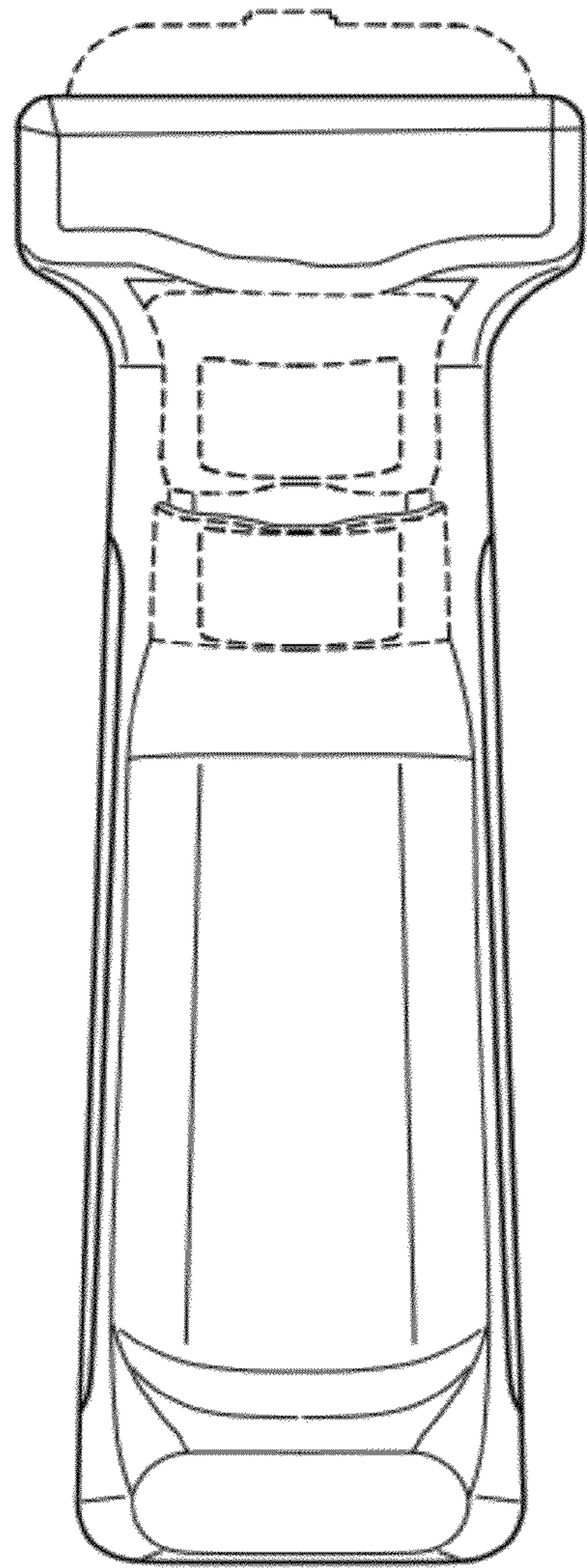


FIG. 8

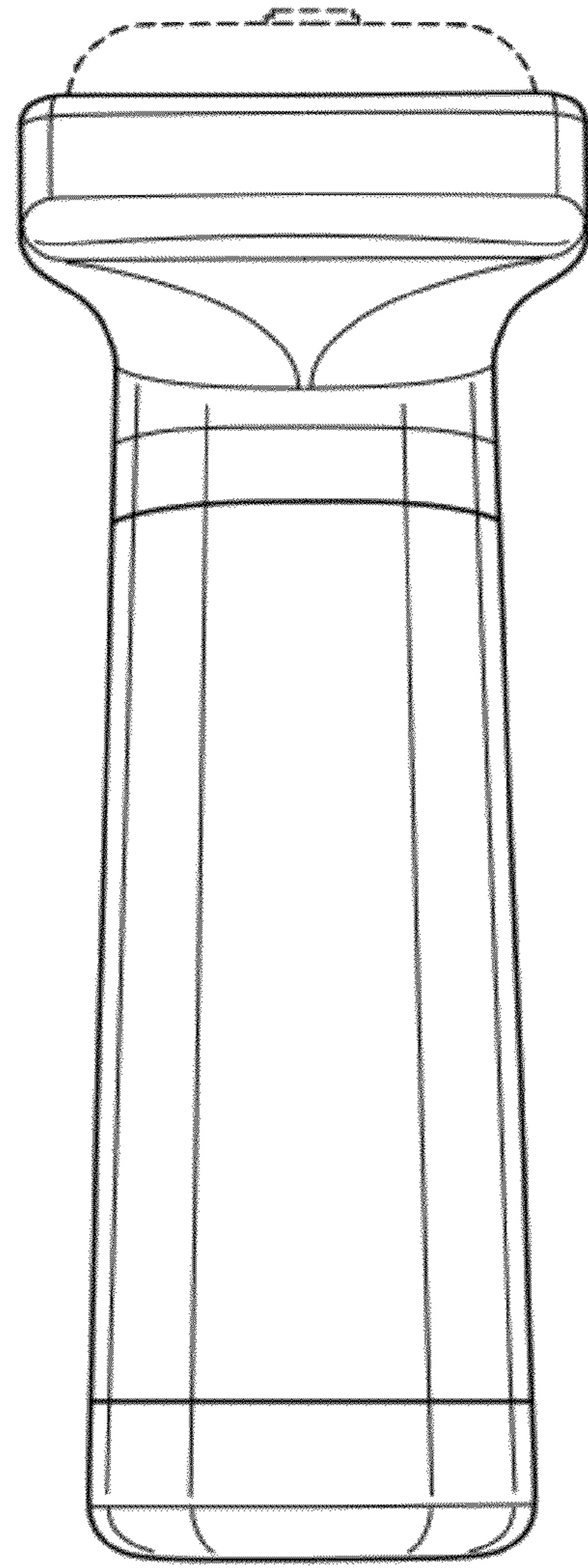


FIG. 9

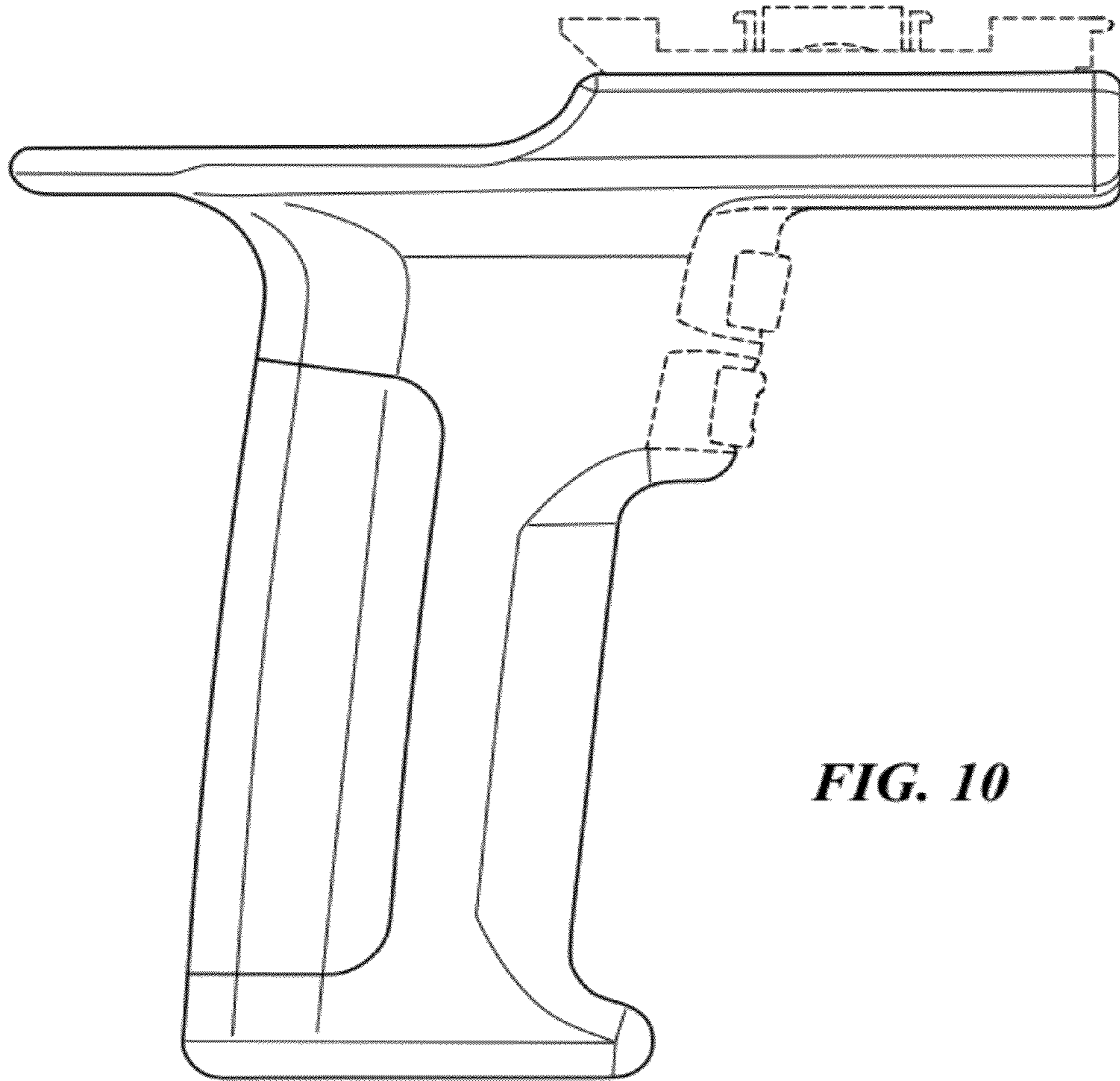


FIG. 10

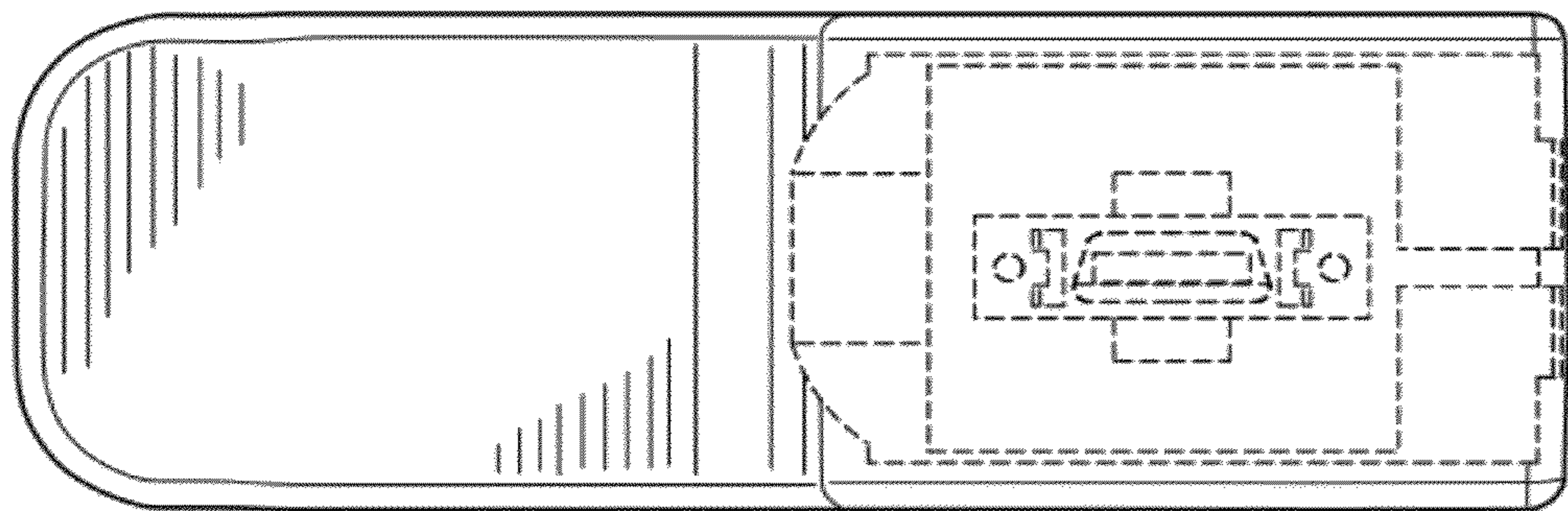


FIG. 11

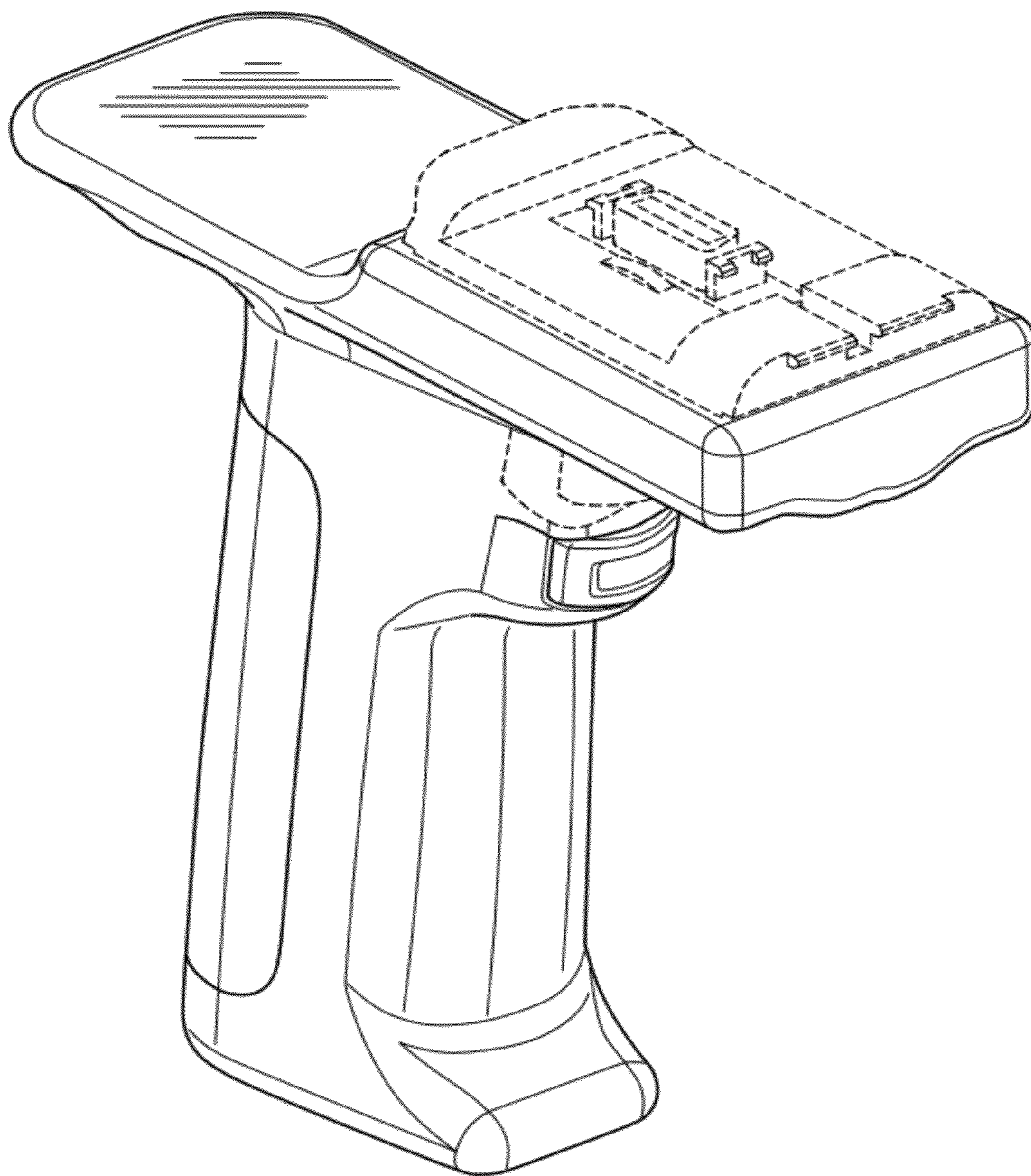


FIG. 12

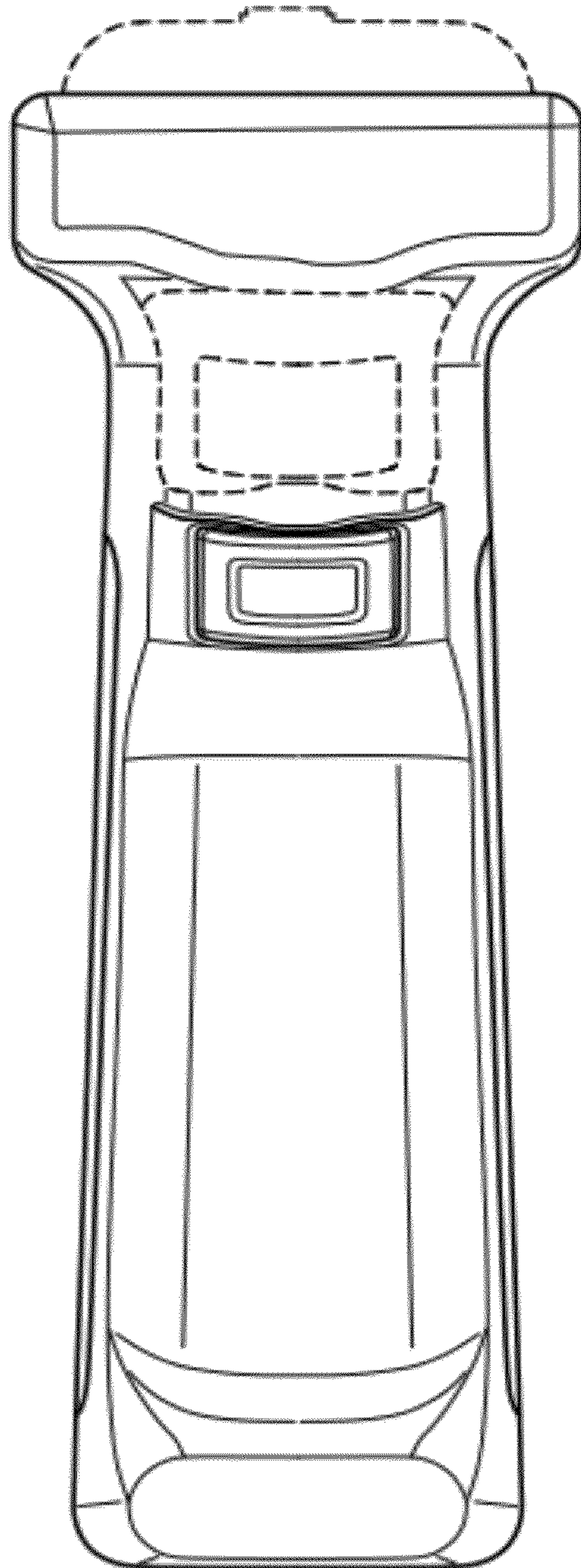


FIG. 13

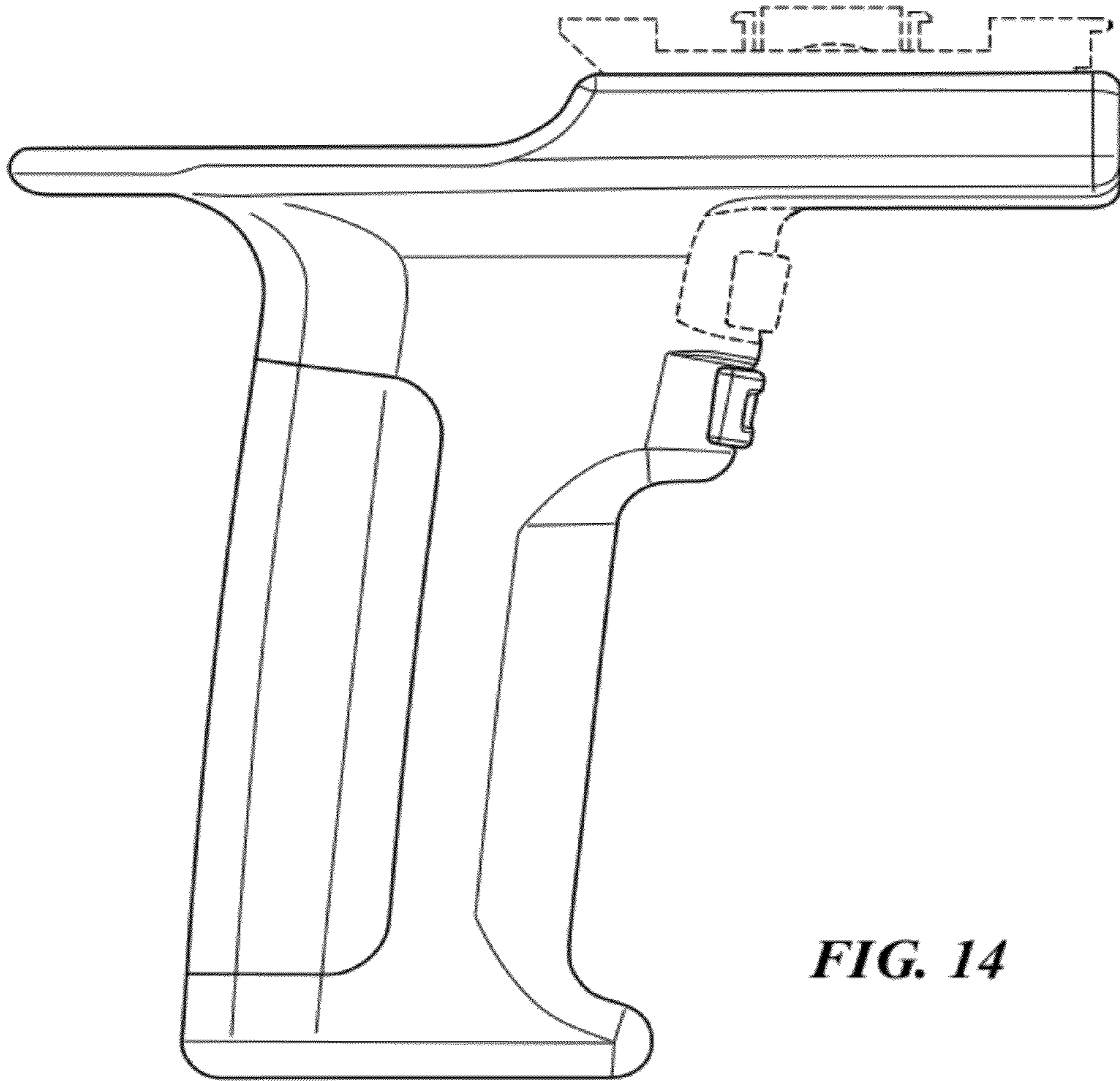


FIG. 14

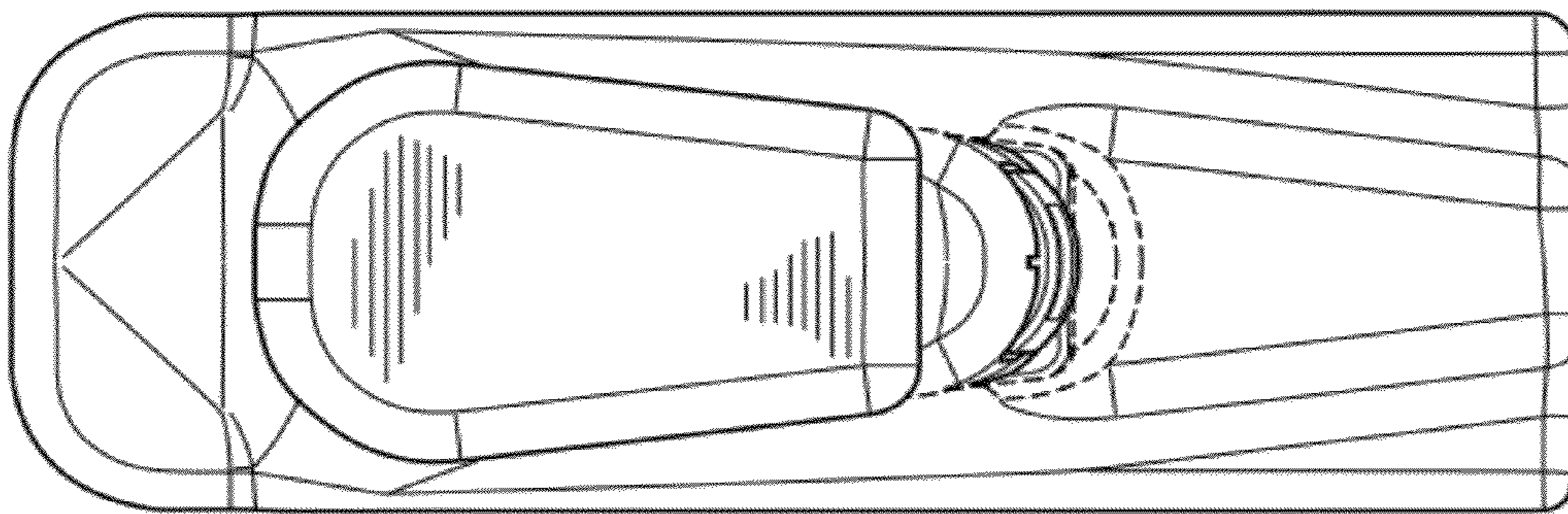


FIG. 15

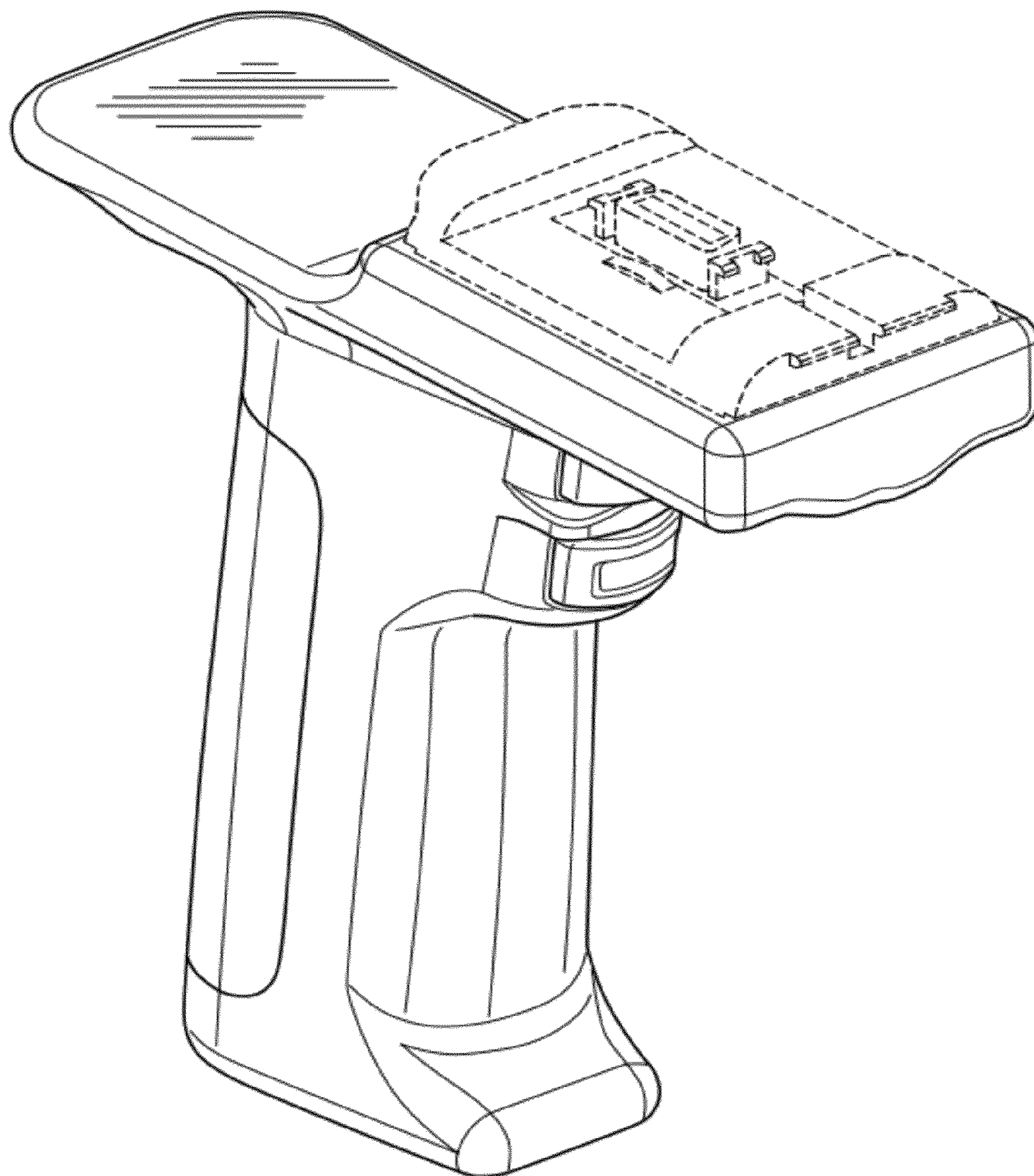


FIG. 16

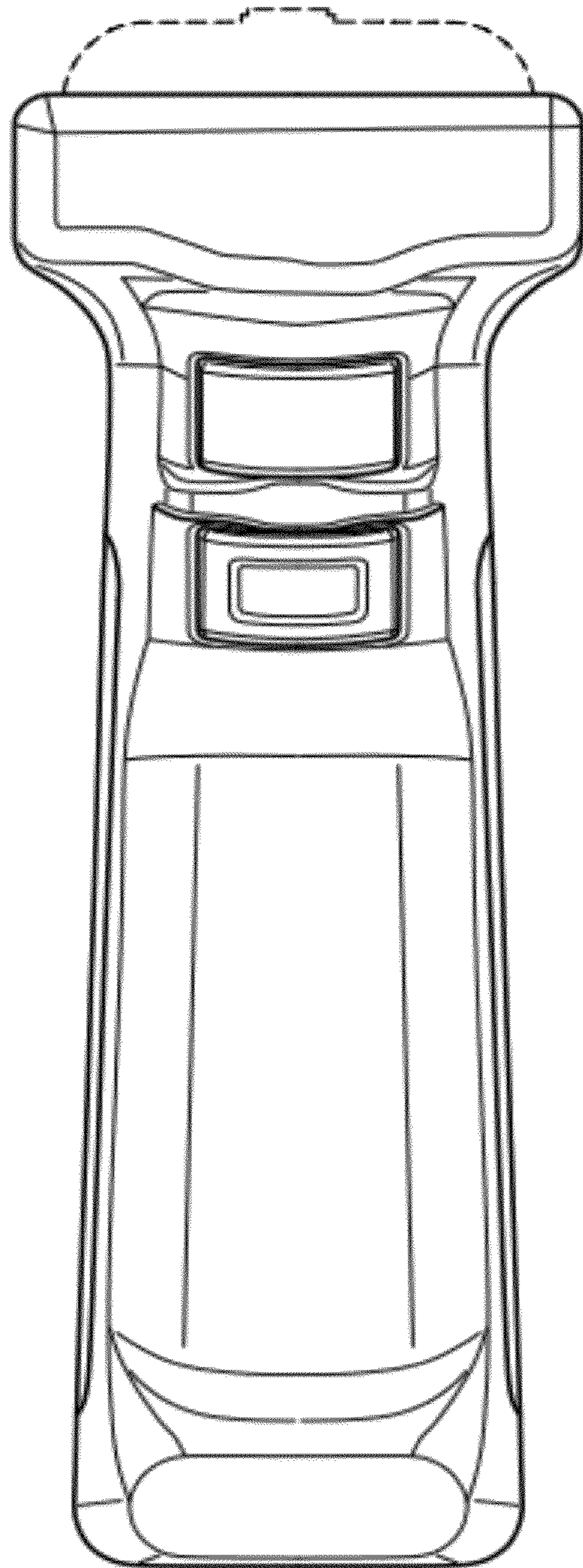


FIG. 17

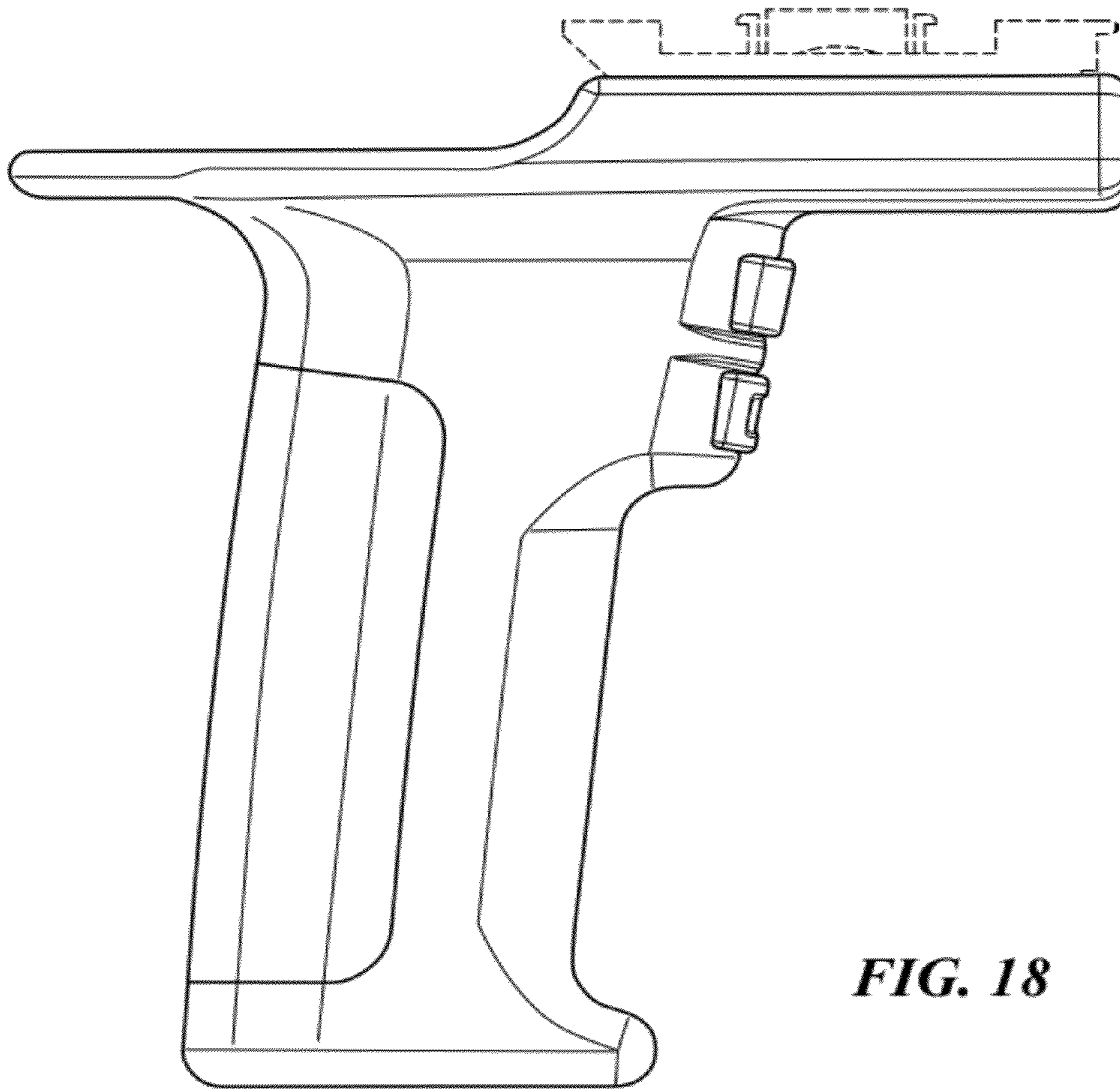


FIG. 18

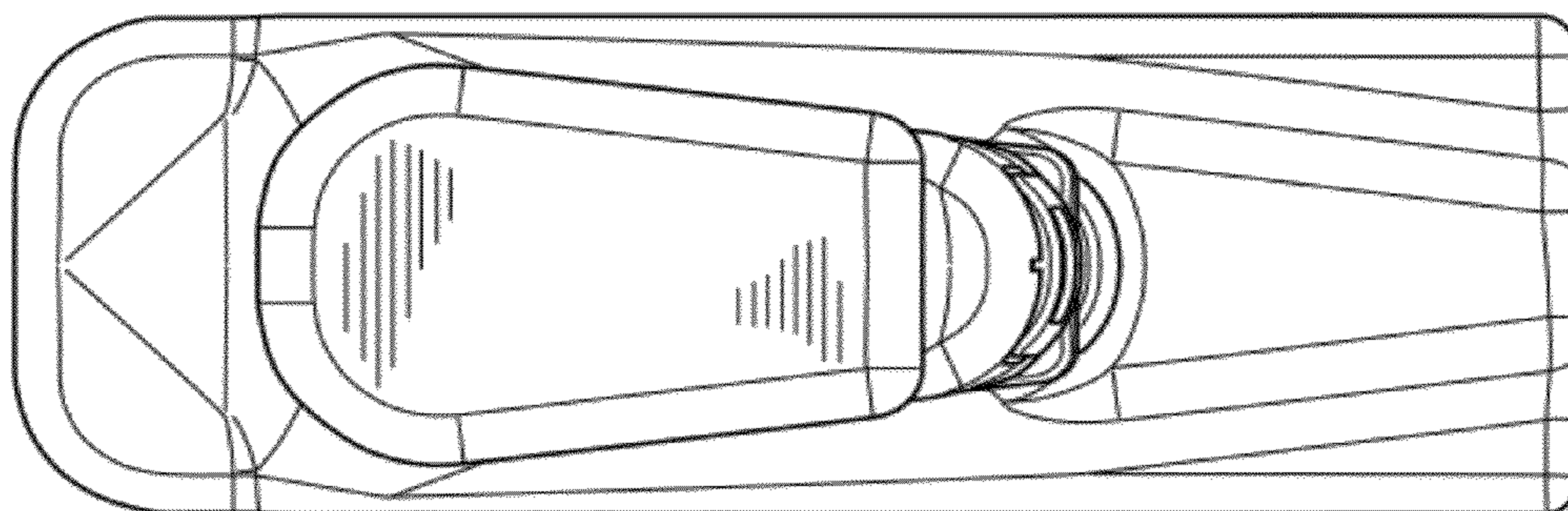


FIG. 19

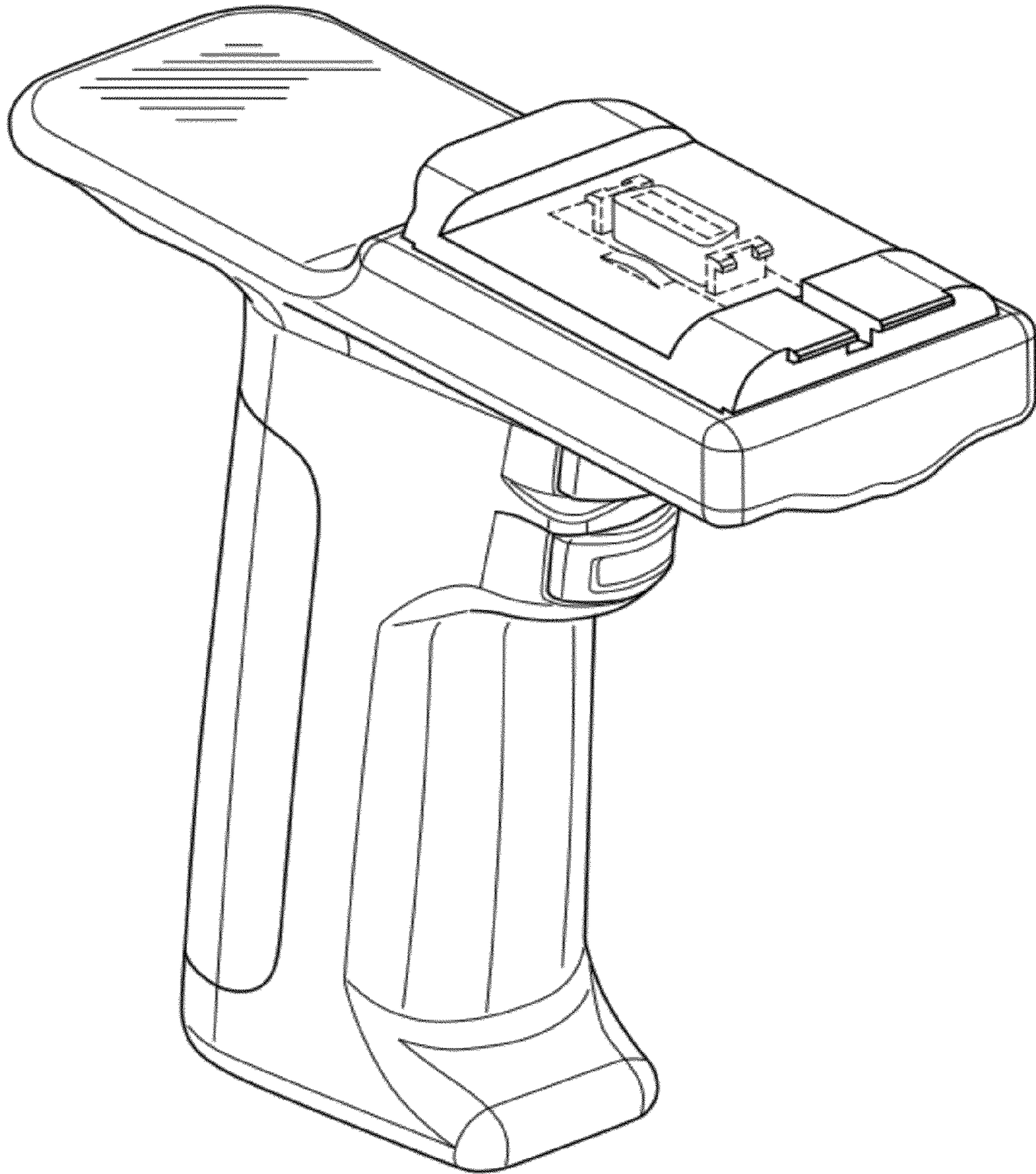


FIG. 20

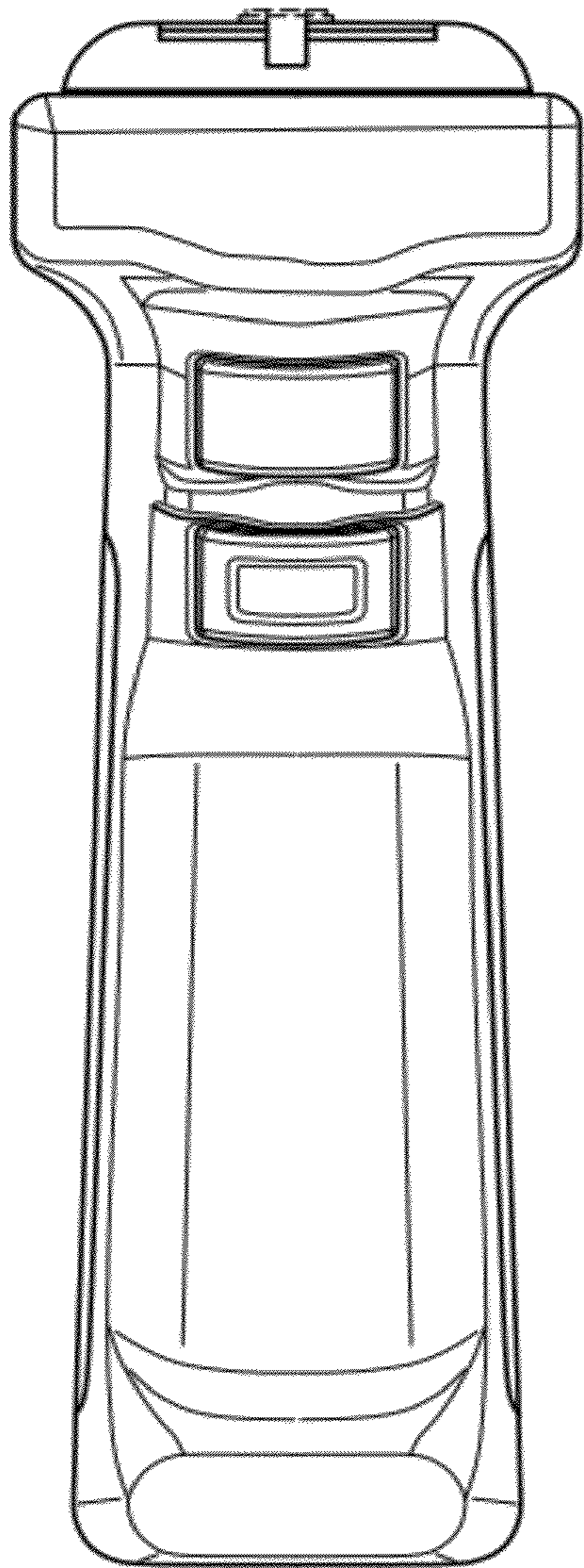


FIG. 21

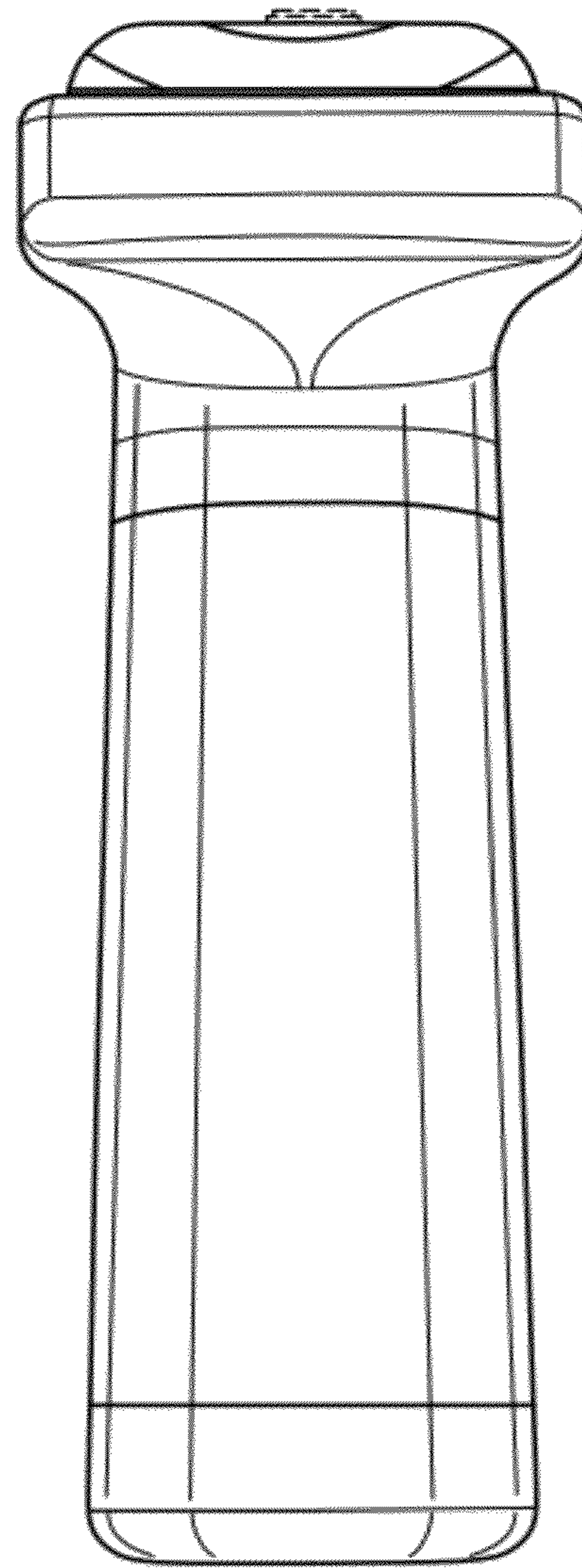


FIG. 22

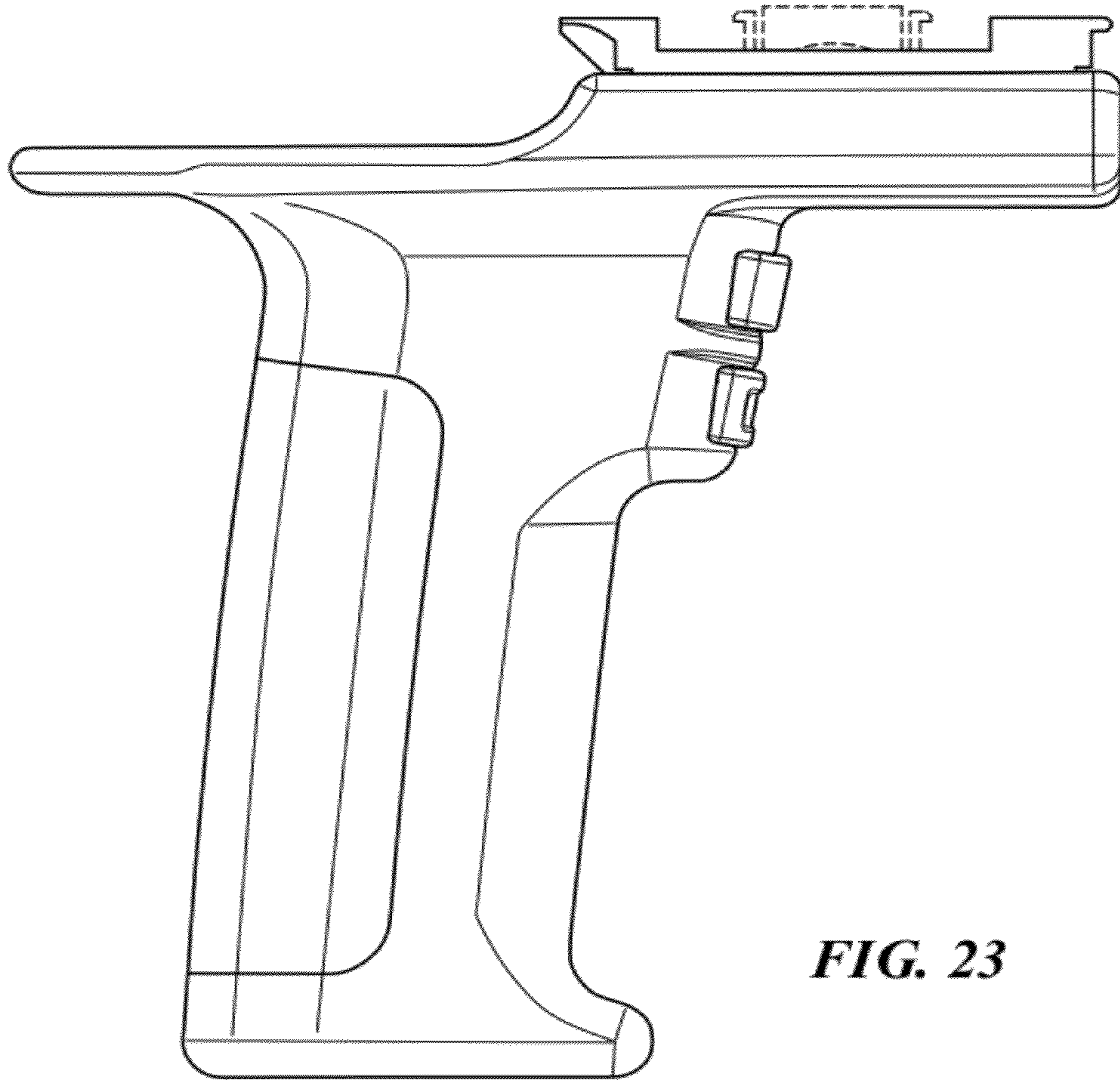


FIG. 23

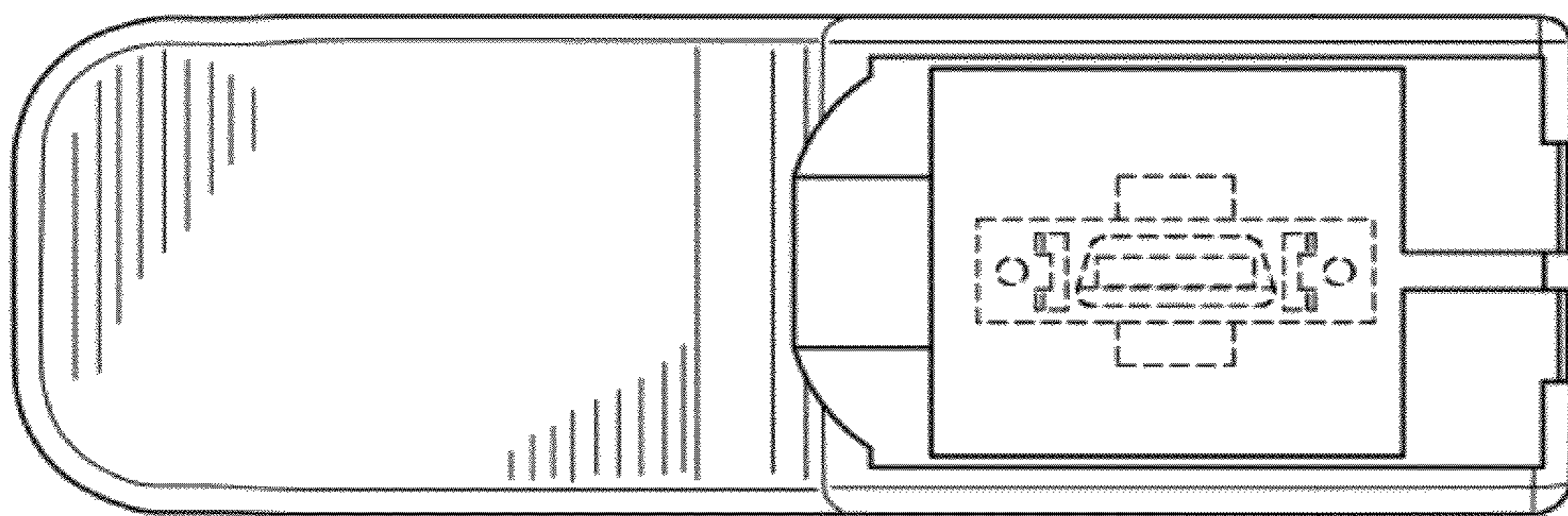


FIG. 24

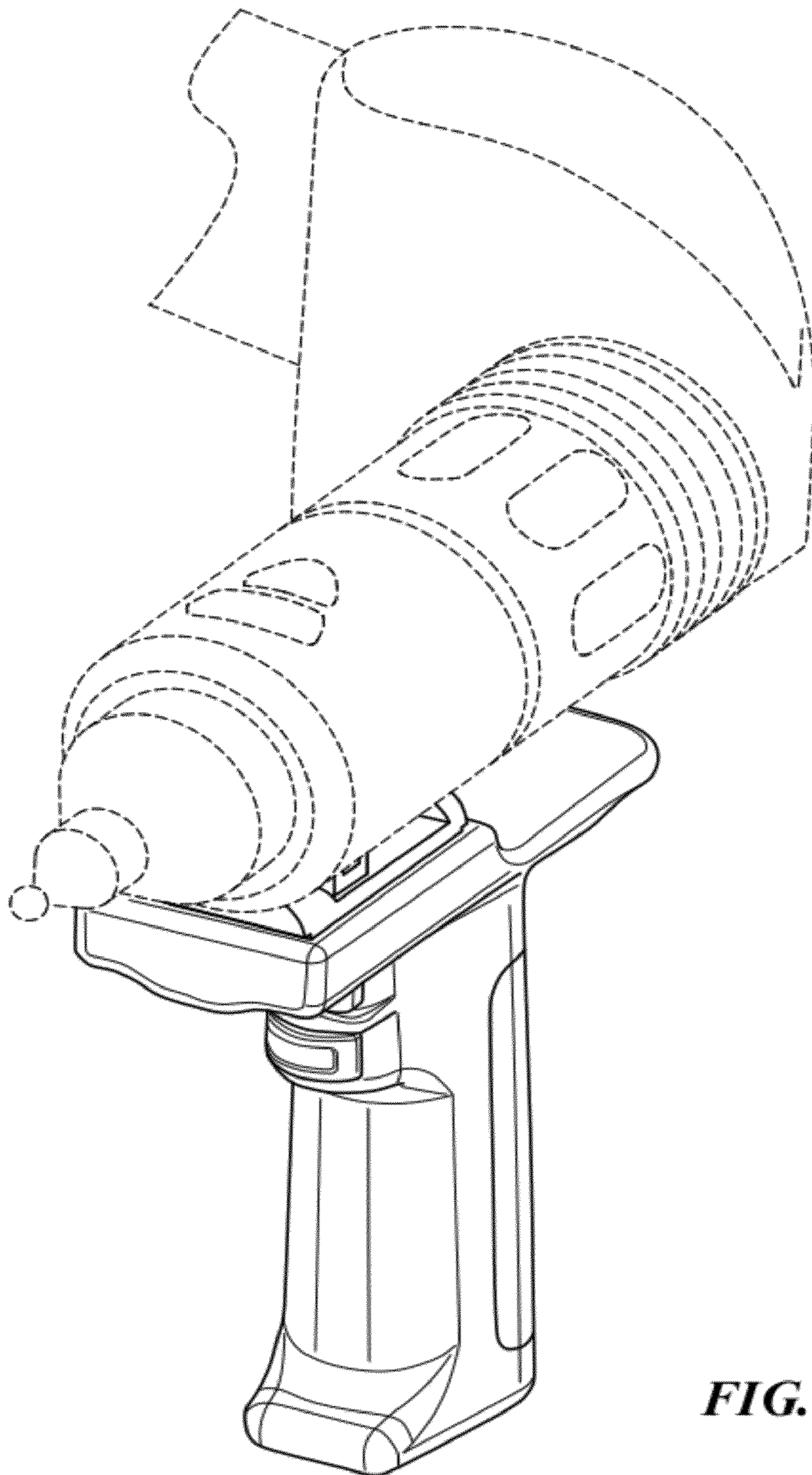


FIG. 25