



US00D659032S

(12) **United States Design Patent**
Atwell et al.

(10) **Patent No.:** **US D659,032 S**
(45) **Date of Patent:** **** May 8, 2012**

(54) **LASER MEASUREMENT DEVICE**
(75) Inventors: **Paul C. Atwell**, Lake Mary, FL (US);
Marc M. Barber, Deltona, FL (US);
Clark H. Briggs, DeLand, FL (US)
(73) Assignee: **Faro Technologies, Inc.**, Lake Mary, FL (US)
(**) Term: **14 Years**
(21) Appl. No.: **29/379,171**
(22) Filed: **Nov. 16, 2010**
(51) **LOC (9) Cl.** **10-04**
(52) **U.S. Cl.** **D10/63; D15/199**
(58) **Field of Classification Search** **D10/63;**
D15/199; 33/503-505, 558; 74/491.01-490.15;
319/560; 700/245, 262, 195, 80; 702/150-156,
702/94, 95, 167-169
See application file for complete search history.

(56) **References Cited**

U.S. PATENT DOCUMENTS

5,768,792 A 6/1998 Raab
(Continued)

FOREIGN PATENT DOCUMENTS

EP 2068067 6/2009
(Continued)

Primary Examiner — Antoine D Davis
(74) *Attorney, Agent, or Firm* — Cantor Colburn LLP

(57) **CLAIM**

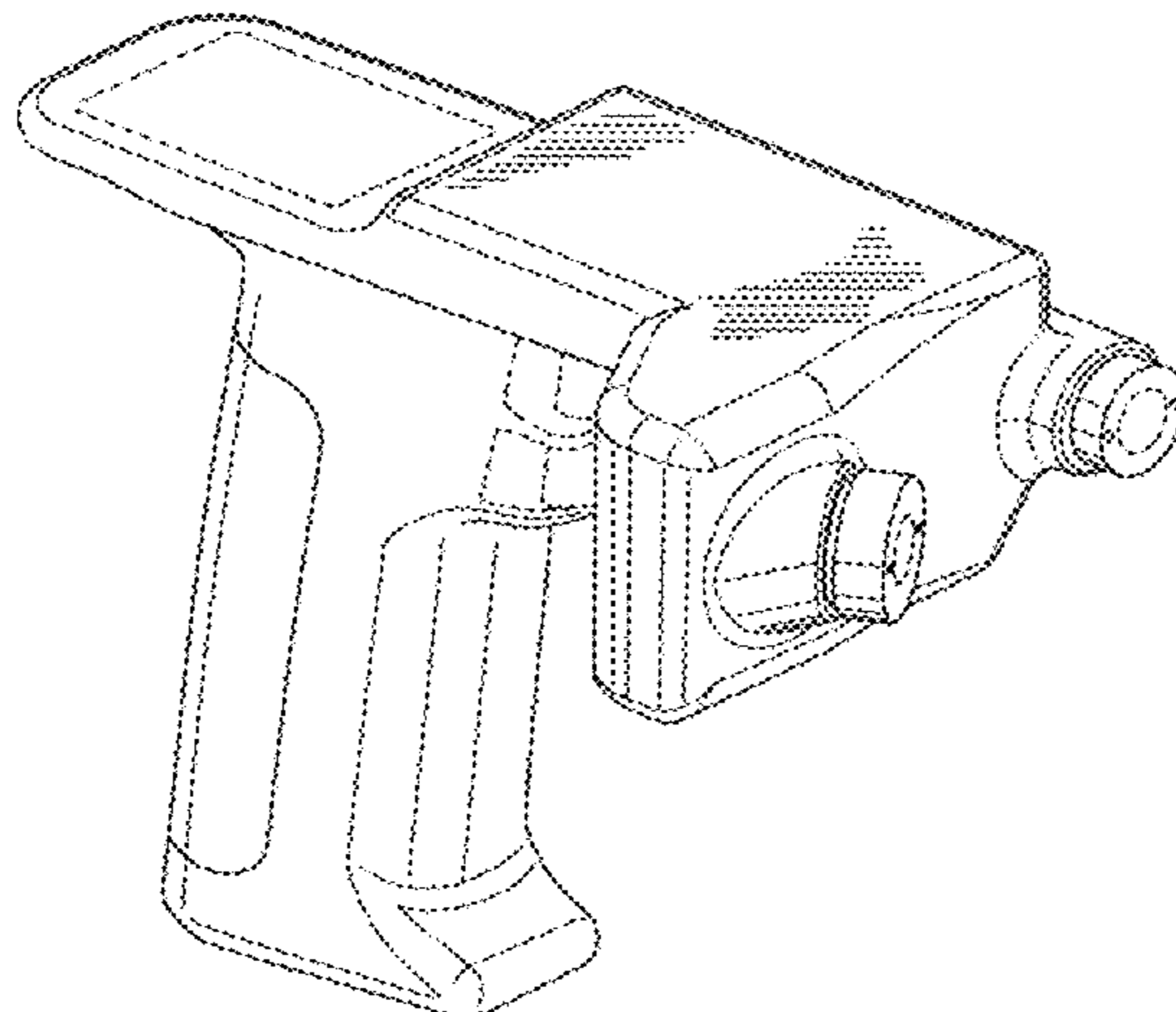
We claim, the ornamental design for a laser measurement device, as shown and described.

DESCRIPTION

FIG. 1 is a perspective view of a first embodiment of the invention;
FIG. 2 is a front plan view of the embodiment of FIG. 1;
FIG. 3 is a rear plan view of the embodiment of FIG. 1;
FIG. 4 is a first side plan view of the embodiment of FIG. 1;
FIG. 5 is a second side plan view of the embodiment of FIG. 1;
FIG. 6 is a top plan view of the embodiment of FIG. 1;
FIG. 7 is a bottom plan view of the embodiment of FIG. 1;
FIG. 8 is a perspective view of a second embodiment of the invention;

FIG. 9 is a front plan view of the embodiment of FIG. 8;
FIG. 10 is a rear plan view of the embodiment of FIG. 8;
FIG. 11 is a first side plan view of the embodiment of FIG. 8;
FIG. 12 is a second side plan view of the embodiment of FIG. 8;
FIG. 13 is a top plan view of the embodiment of FIG. 8;
FIG. 14 is a bottom plan view of the embodiment of FIG. 8;
FIG. 15 is a perspective view of a third embodiment of the invention;
FIG. 16 is a front plan view of the embodiment of FIG. 15, the rear plan view being the same as FIG. 10;
FIG. 17 is a first side plan view of the embodiment of FIG. 15;
FIG. 18 is a second side plan view of the embodiment of FIG. 15;
FIG. 19 is a bottom plan view of the embodiment of FIG. 15, the top plan view being the same as FIG. 13;
FIG. 20 is a perspective view of a fourth embodiment of the invention;
FIG. 21 is a front plan view of the embodiment of FIG. 20, the rear plan view being the same as FIG. 10;
FIG. 22 is a first side plan view of the embodiment of FIG. 20;
FIG. 23 is a second side plan view of the embodiment of FIG. 20;
FIG. 24 is a bottom plan view of the embodiment of FIG. 20, the top plan view being the same as FIG. 13;
FIG. 25 is a perspective view of a fifth embodiment of the invention;
FIG. 26 is a front plan view of the embodiment of FIG. 25;
FIG. 27 is a rear plan view of the embodiment of FIG. 25;
FIG. 28 is a first side plan view of the embodiment of FIG. 25;
FIG. 29 is a second side plan view of the embodiment of FIG. 25; and,
FIG. 30 is a top plan view of the embodiment of FIG. 25, the bottom plan view being the same as FIG. 24.
The phantom lines shown in FIG. 1-FIG. 30 are environmental and not part of the claimed design.
The color and shading shown in FIG. 1-FIG. 30 forms no part of the claimed design, the laser measurement device according to the claimed design may be any color or combination of colors.
The surface treatment shown in FIG. 1-FIG. 30 forms no part of the claimed design, the laser measurement device of the claimed design may have any surface treatment.
References to “side”, “top”, “front”, “rear” and “bottom” in the figure descriptions are not meant to require certain in-use orientation; a laser measurement device according to the claimed design may be used in any orientation.

1 Claim, 25 Drawing Sheets



US D659,032 S

Page 2

U.S. PATENT DOCUMENTS

5,926,782 A 7/1999 Raab
5,978,748 A 11/1999 Raab
D423,534 S 4/2000 Raab et al.
6,131,299 A 10/2000 Raab et al.
6,151,789 A 11/2000 Raab et al.
D441,632 S 5/2001 Raab et al.
6,253,458 B1 7/2001 Raab et al.
D472,824 S 4/2003 Raab et al.
D491,210 S 6/2004 Raab et al.
7,024,032 B2 4/2006 Kidd et al.
7,525,276 B2 4/2009 Eaton
D599,226 S 9/2009 Gerent et al.
7,624,510 B2 12/2009 Ferrari
D607,350 S 1/2010 Cooduvalli et al.
7,693,325 B2 4/2010 Pulla et al.
7,743,524 B2 6/2010 Eaton et al.

7,779,548 B2 8/2010 Ferrari
7,779,553 B2 8/2010 Jordil et al.
2006/0291970 A1 12/2006 Granger
2008/0052936 A1 3/2008 Briggs et al.
2008/0148585 A1 6/2008 Raab et al.
2009/0083985 A1 4/2009 Ferrari
2009/0249634 A1 10/2009 Pettersson
2010/0095542 A1 4/2010 Ferrari
2010/0208062 A1 8/2010 Pettersson
2010/0325907 A1* 12/2010 Tait 33/503
2011/0178766 A1* 7/2011 York et al. 702/154
2011/0192043 A1* 8/2011 Ferrari 33/503

FOREIGN PATENT DOCUMENTS

EP 2068114 6/2009
WO 2009130169 10/2009

* cited by examiner

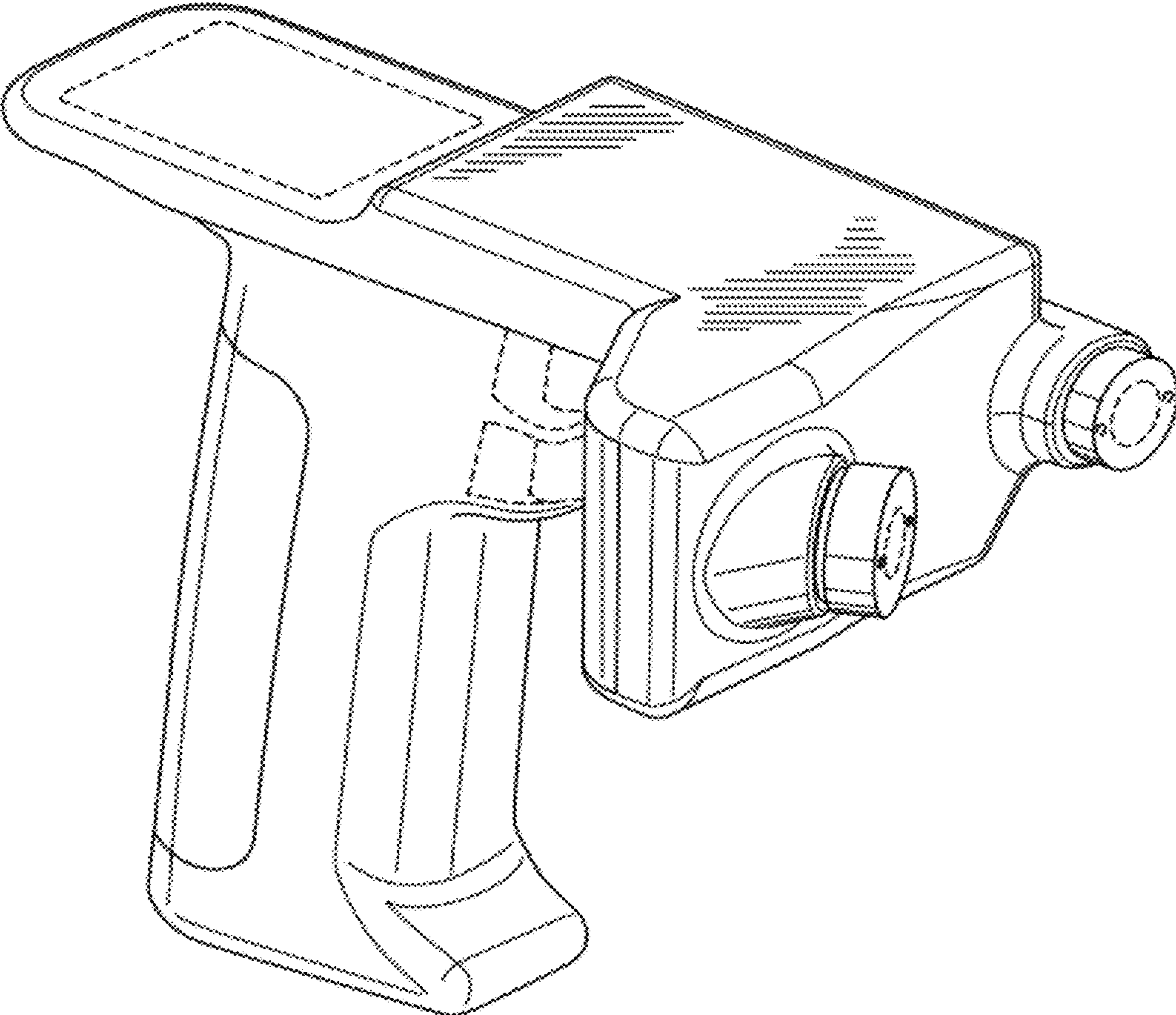


FIG. 1

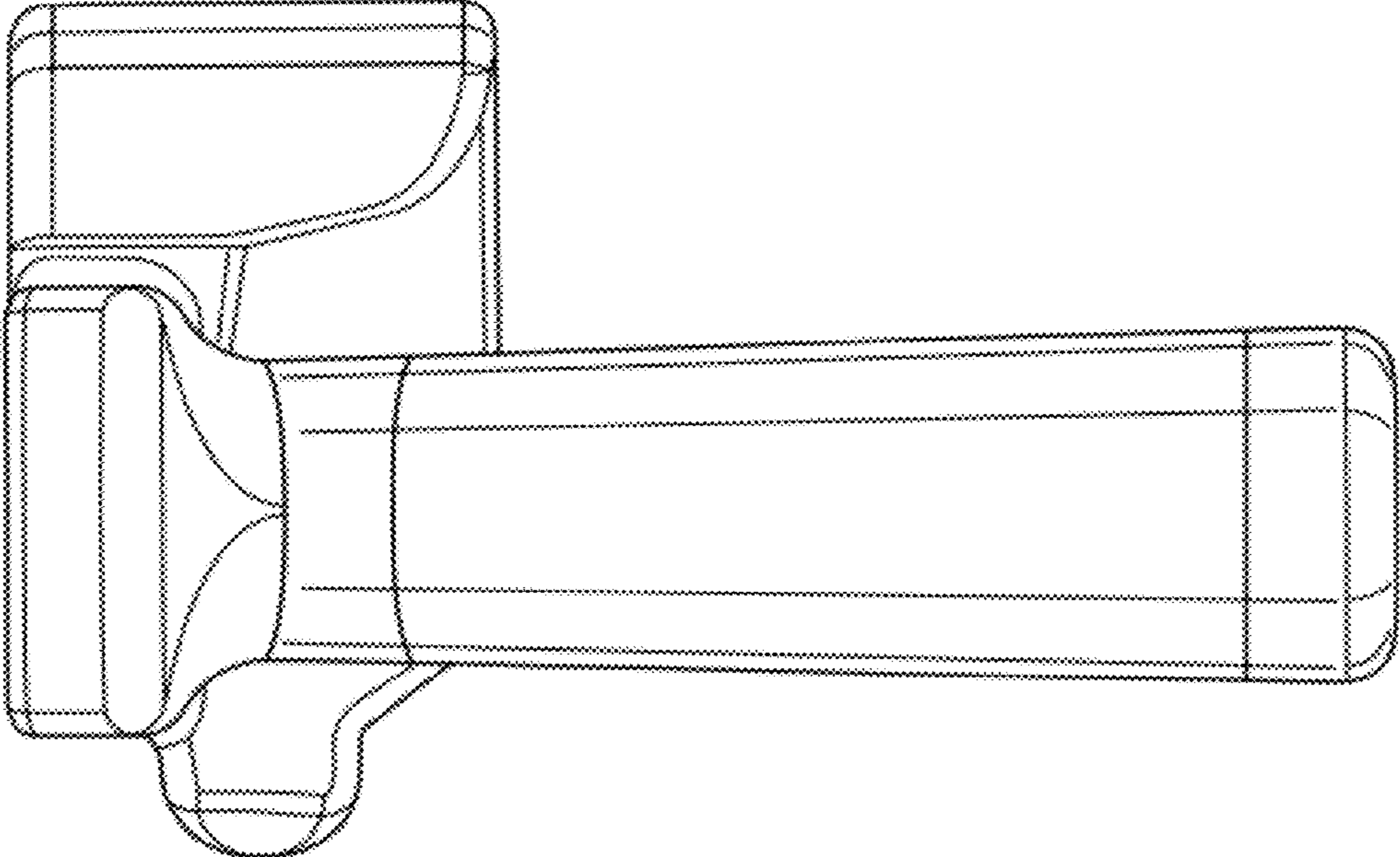


FIG. 3

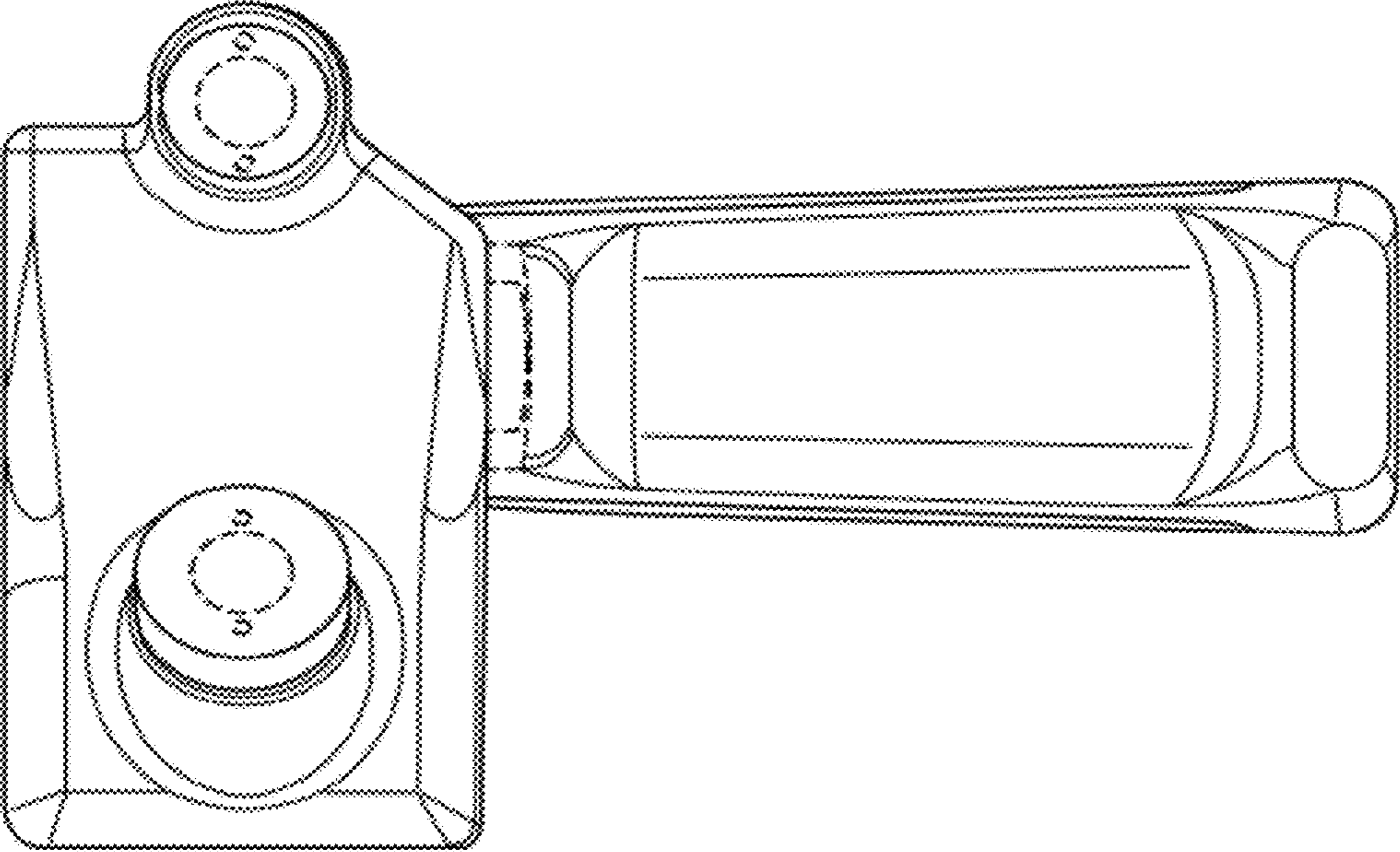


FIG. 2

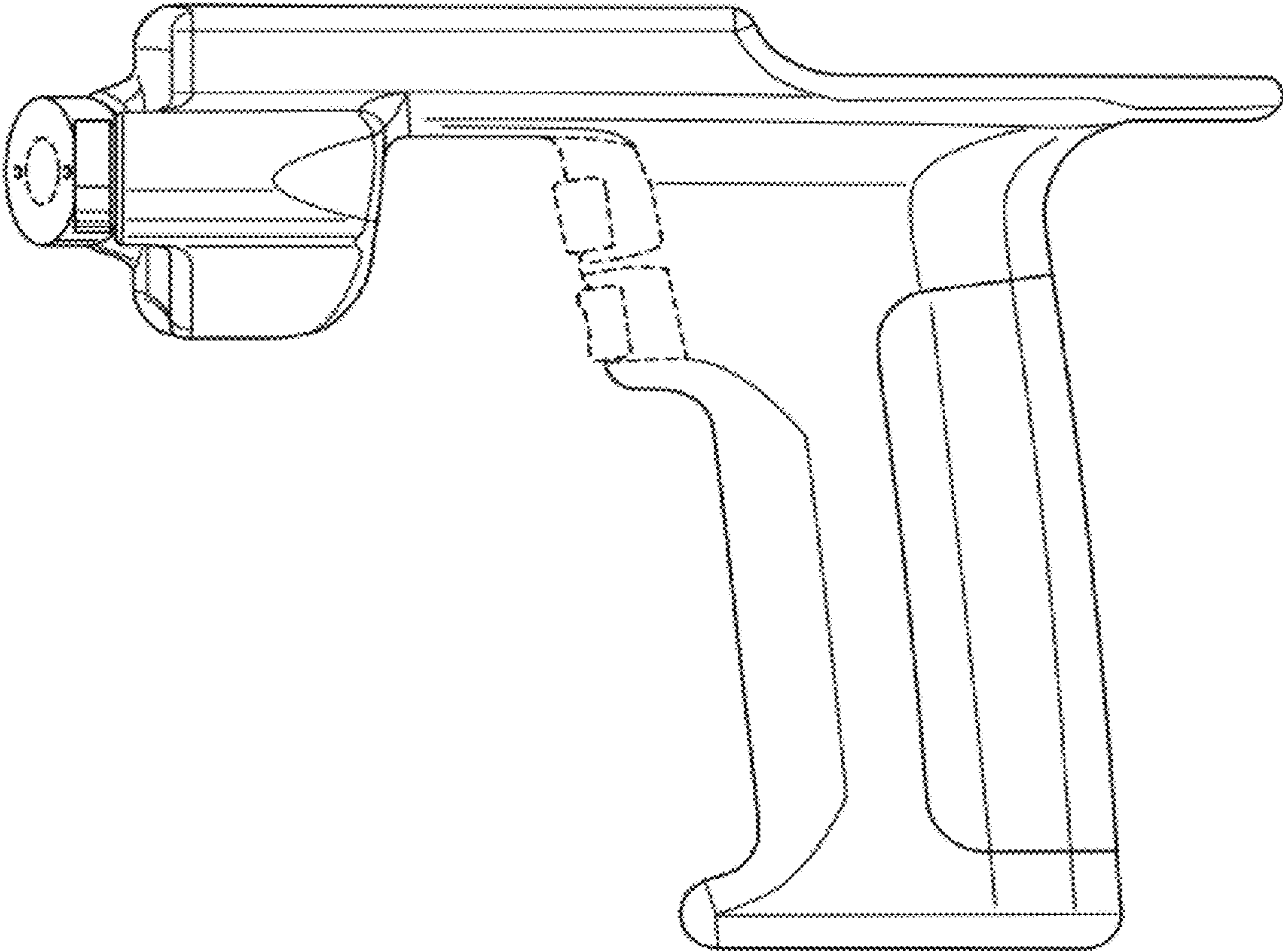


FIG. 4

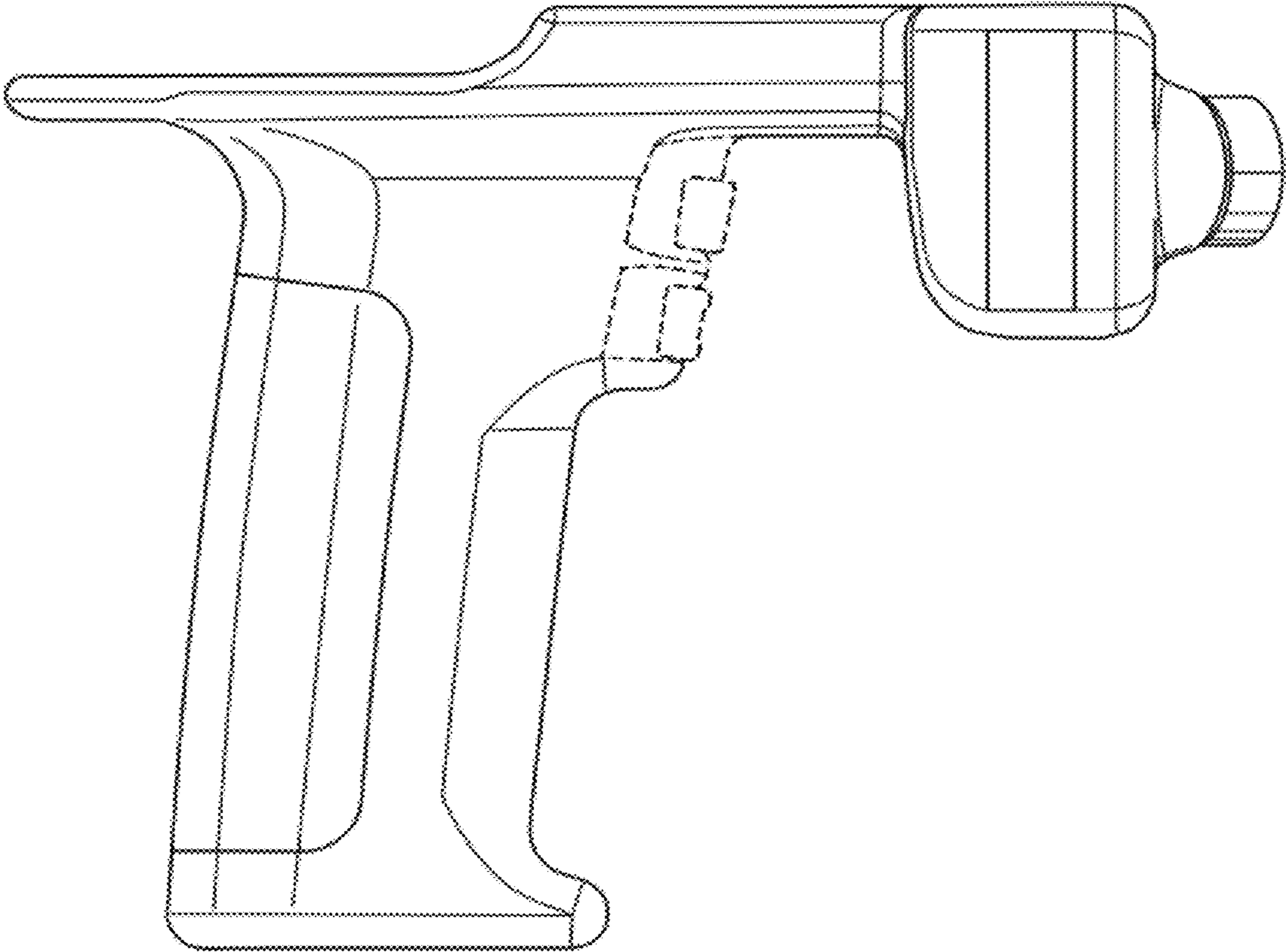


FIG. 5

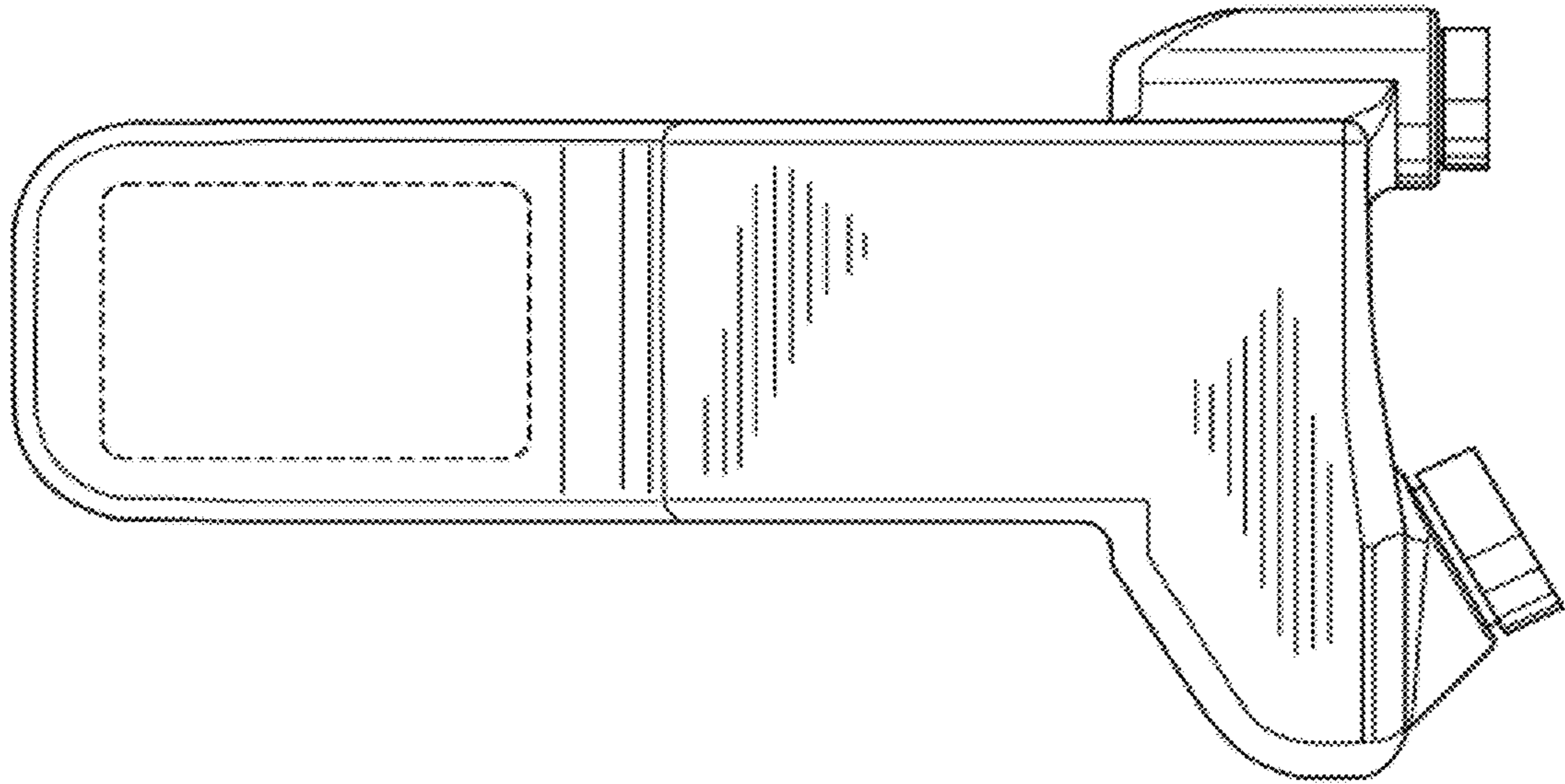


FIG. 6

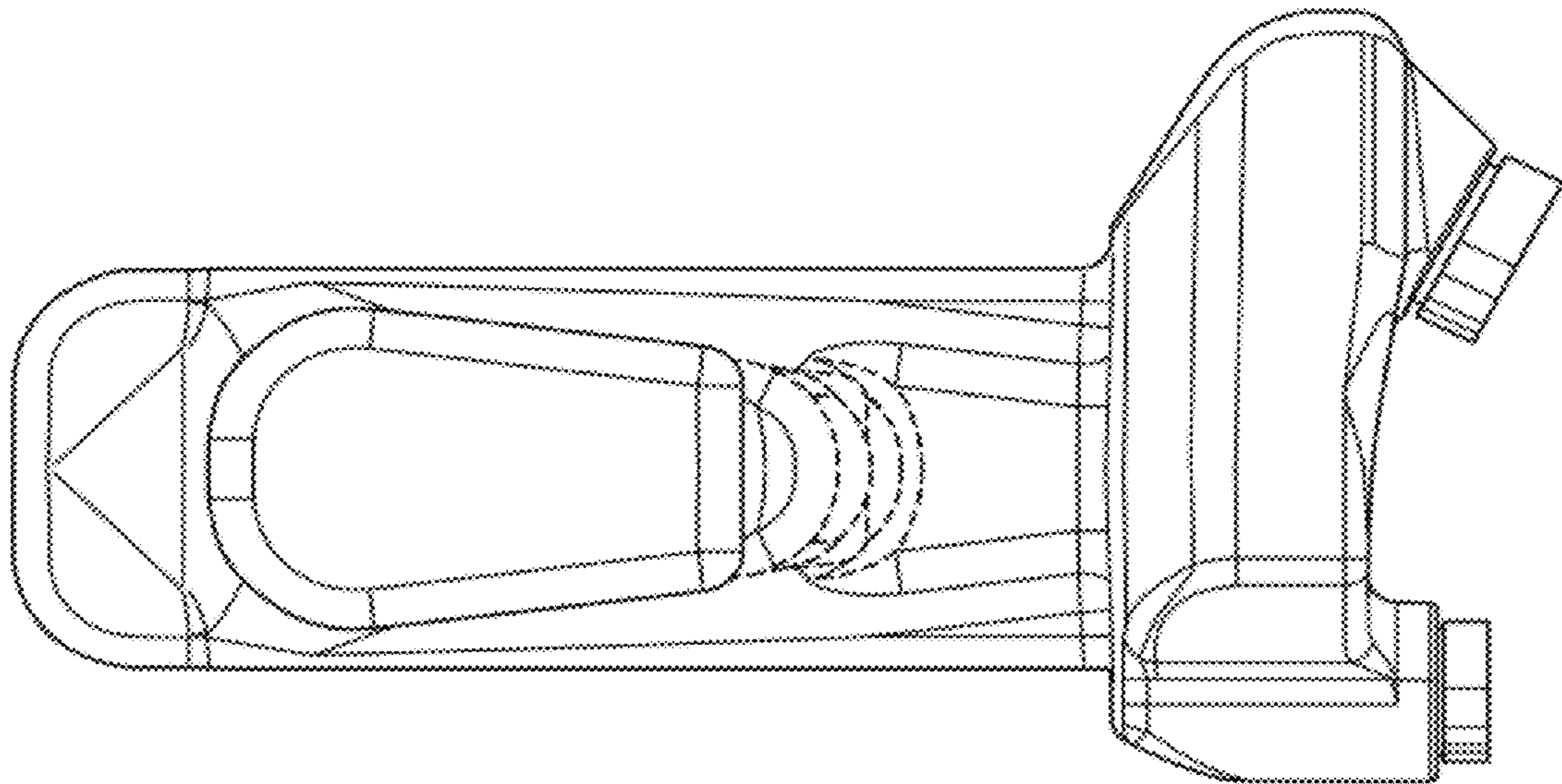


FIG. 7

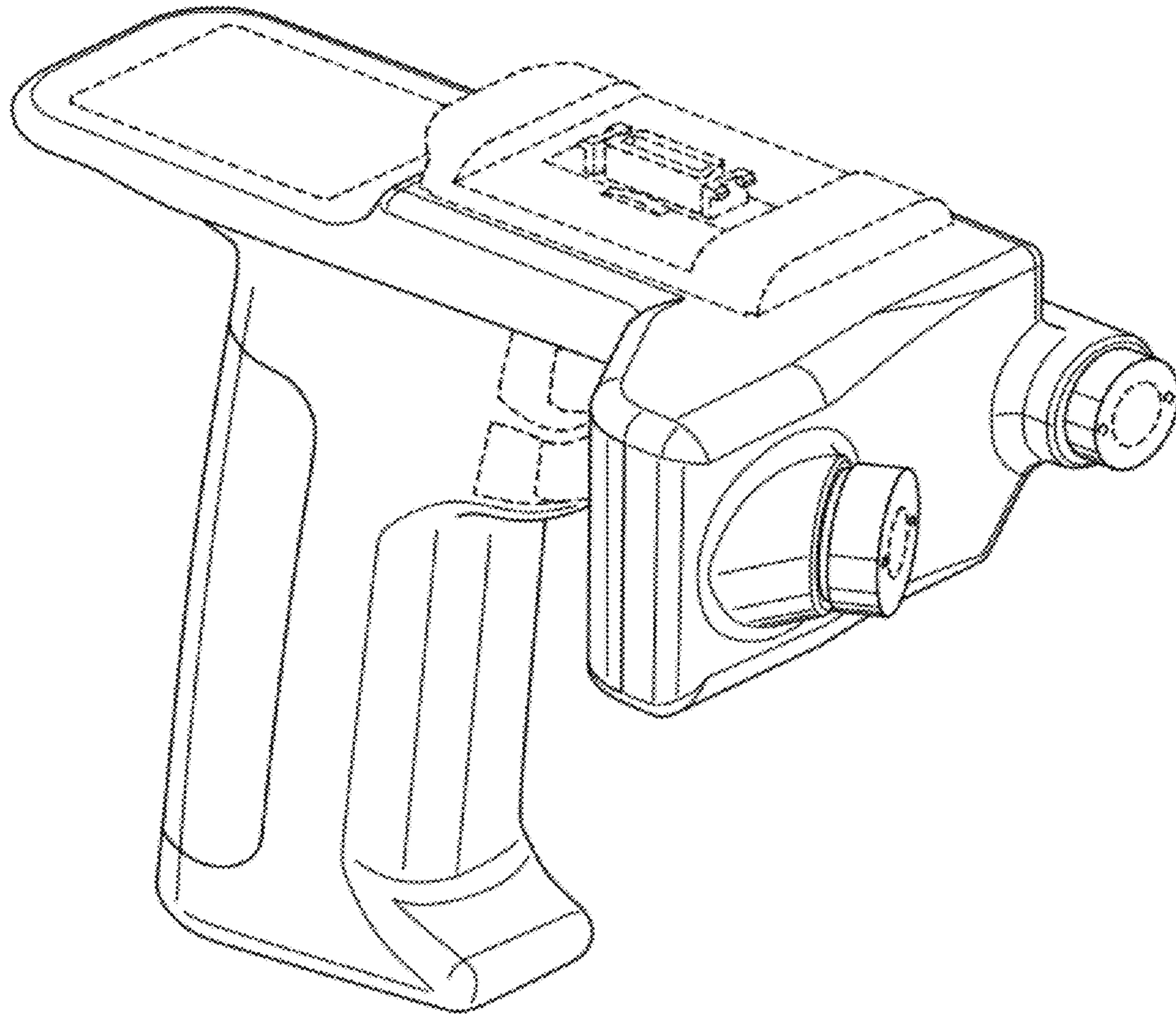


FIG. 8

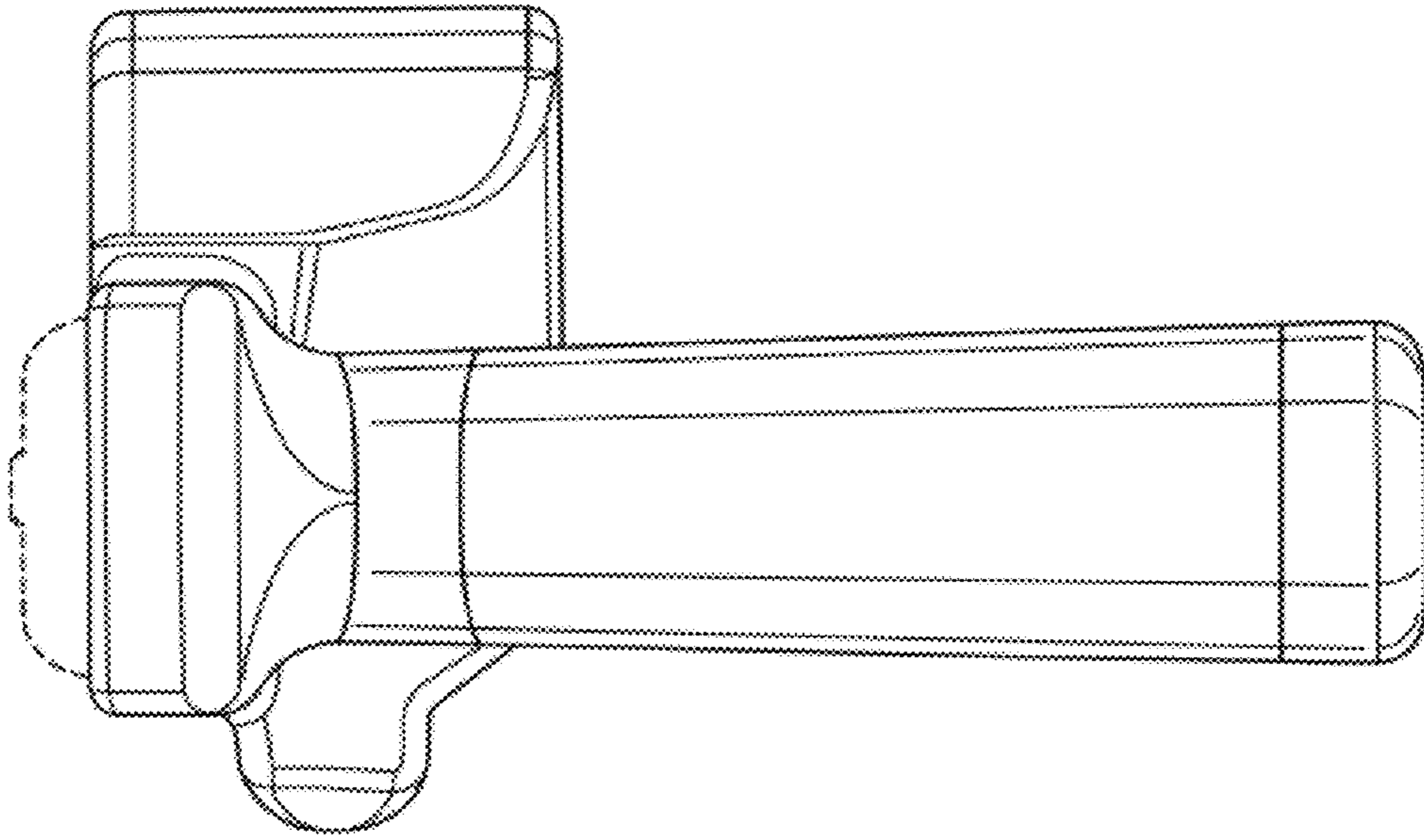


FIG. 10

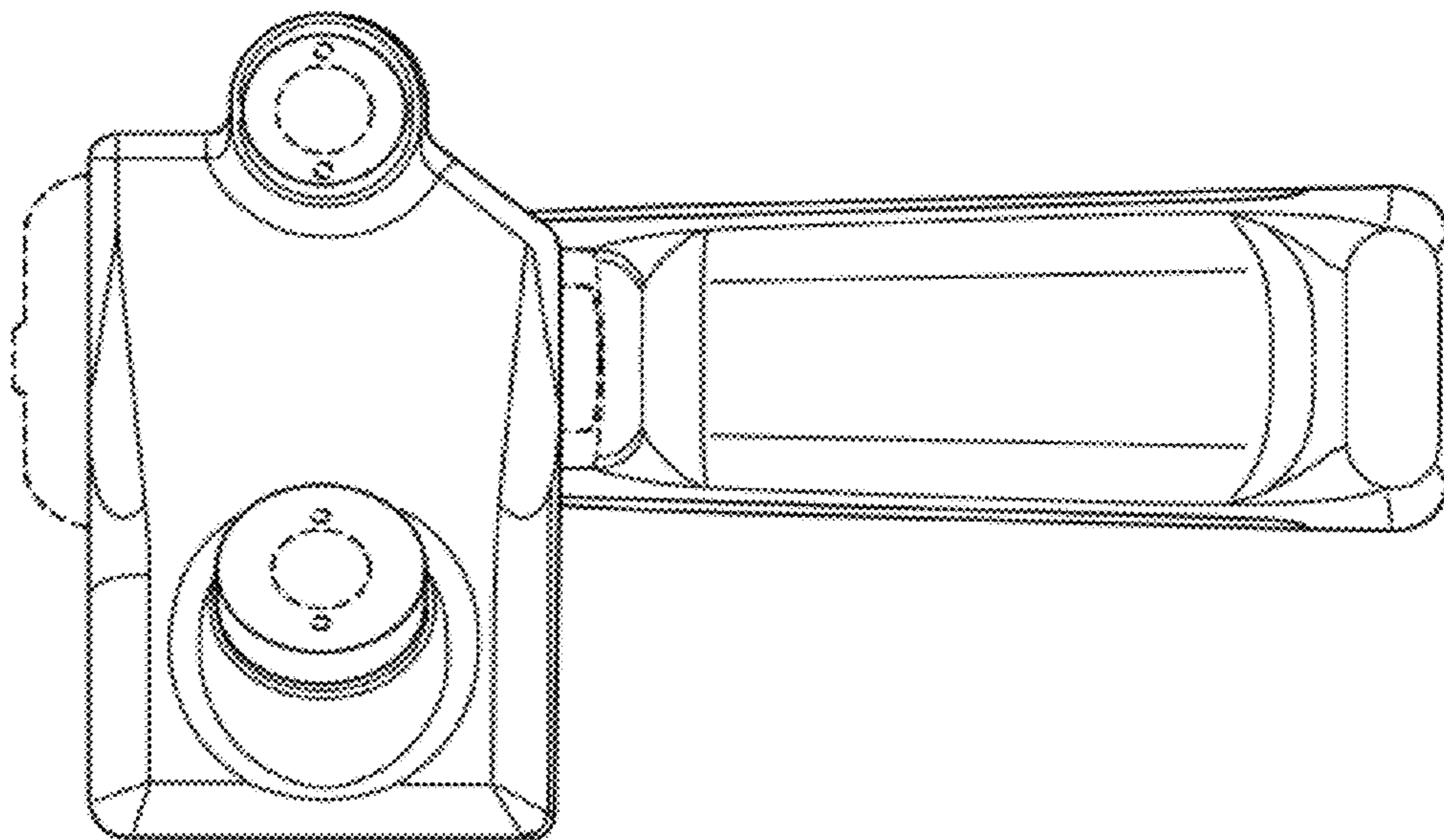


FIG. 9

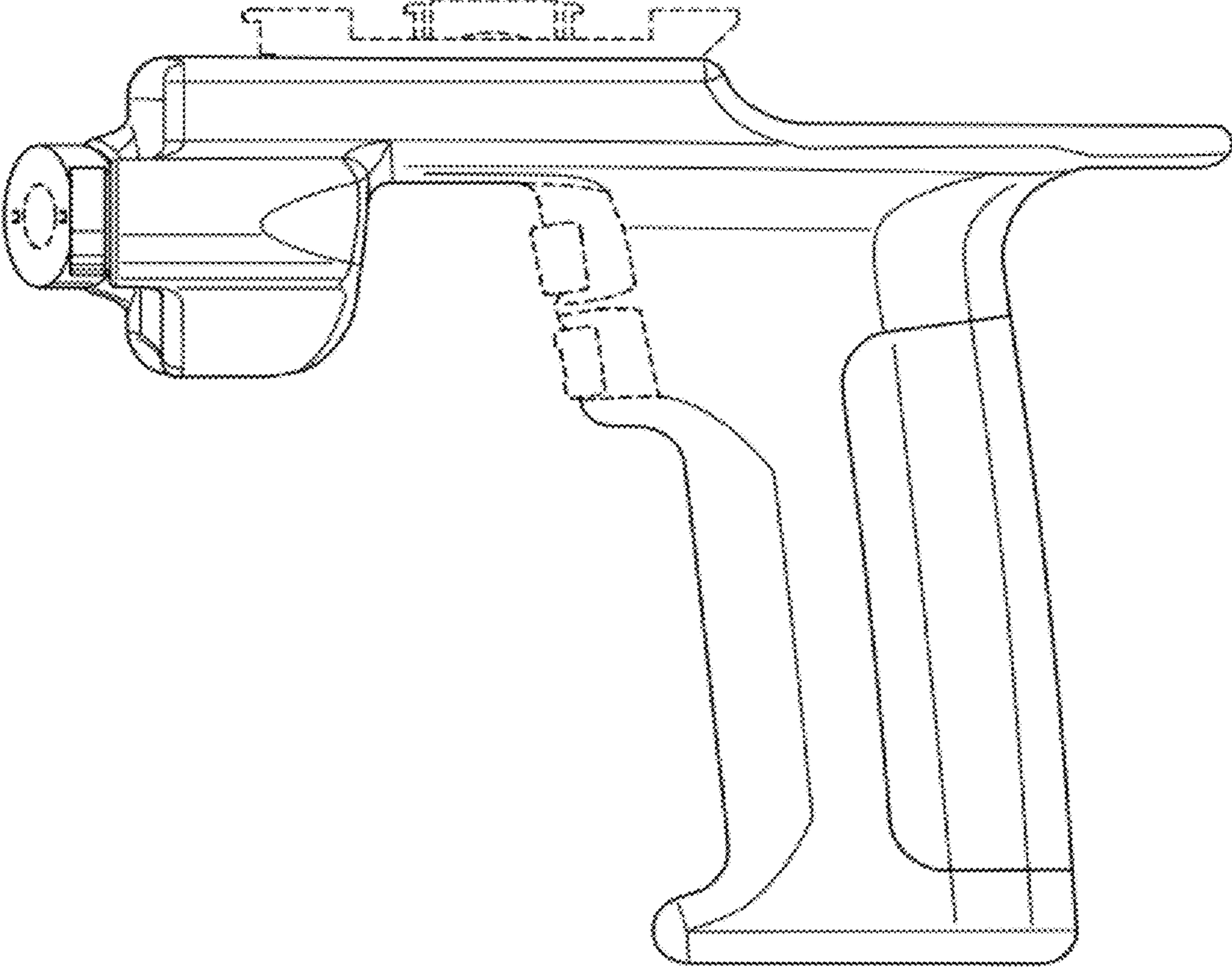


FIG. 11

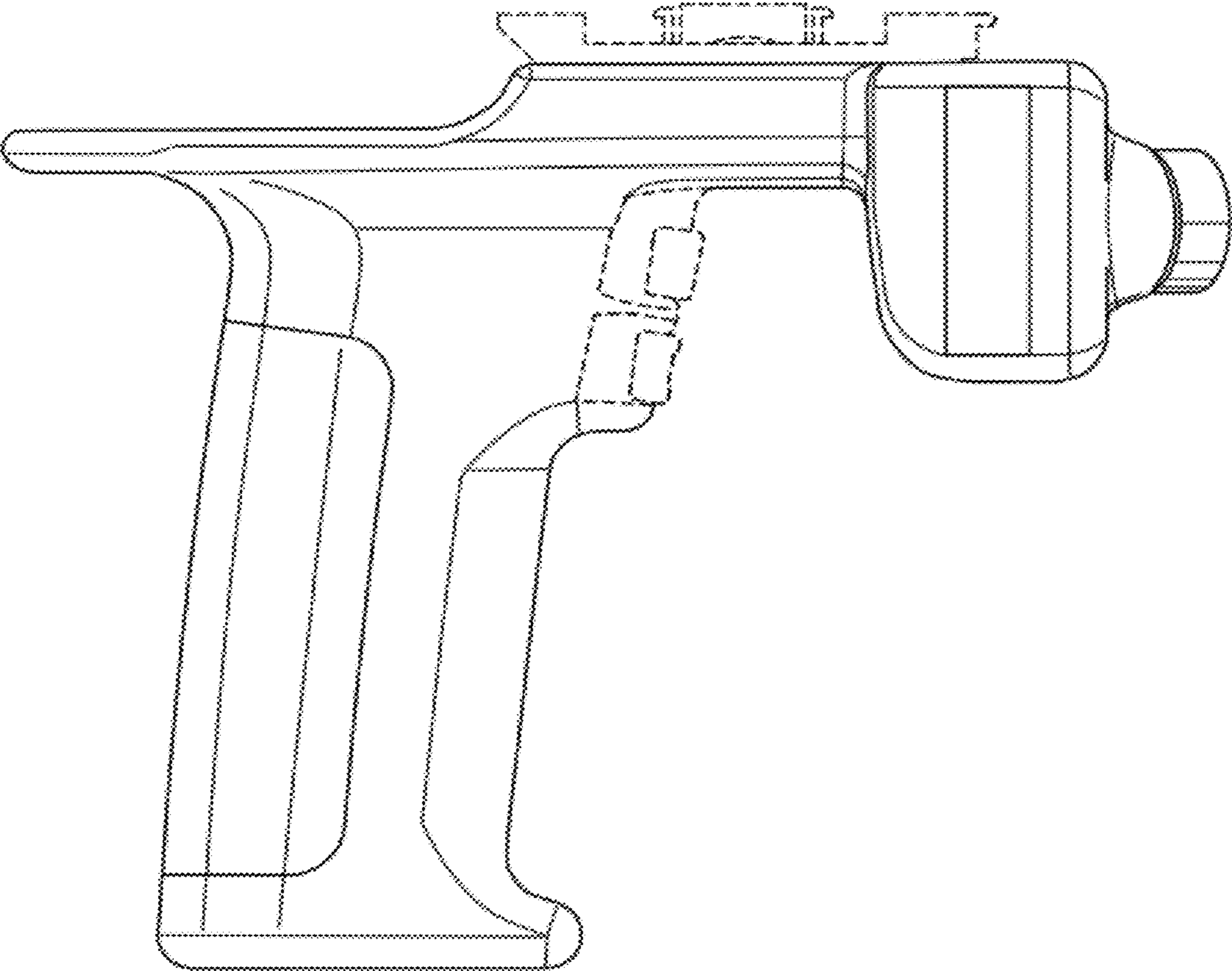


FIG. 12

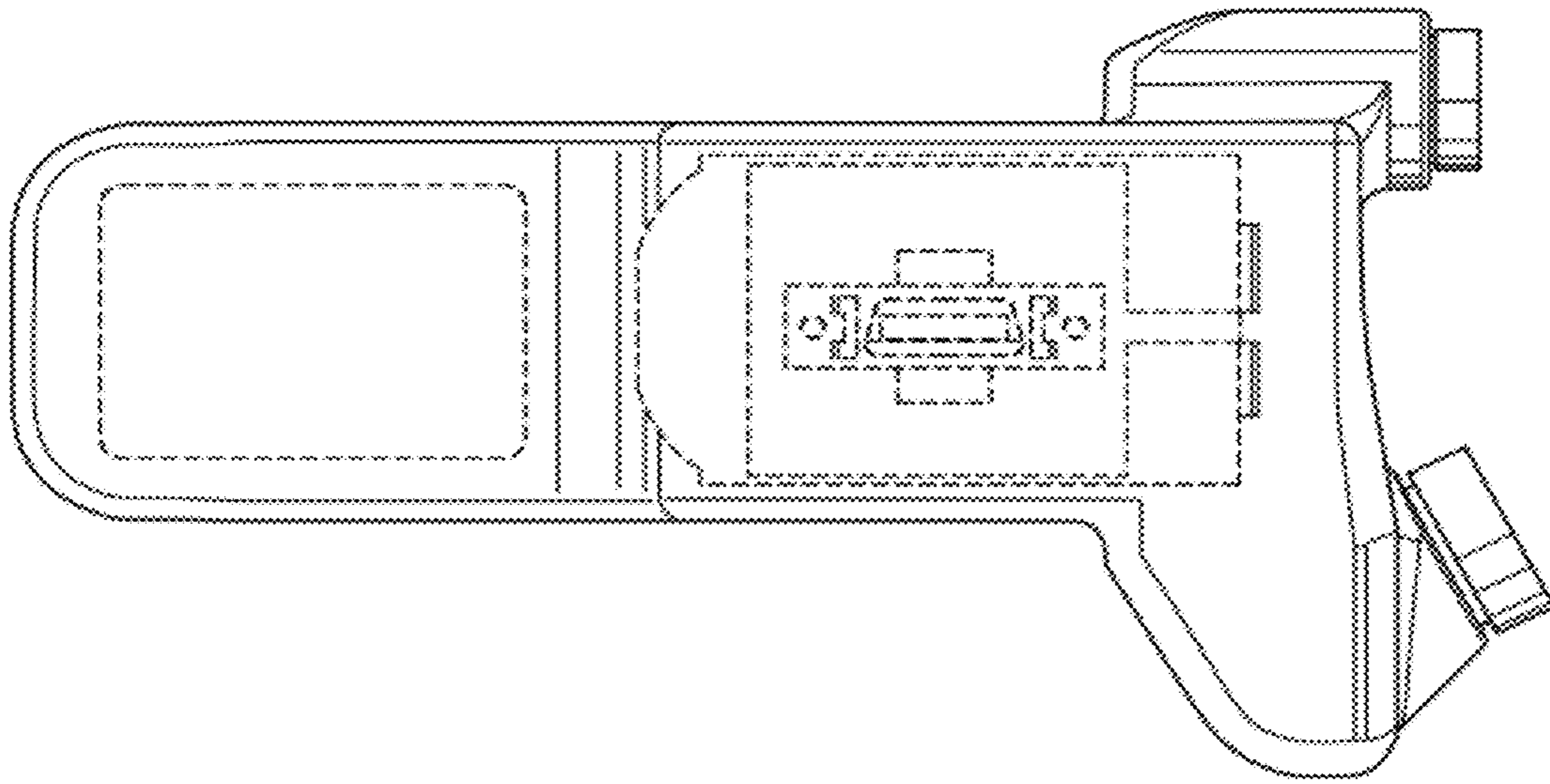


FIG. 13

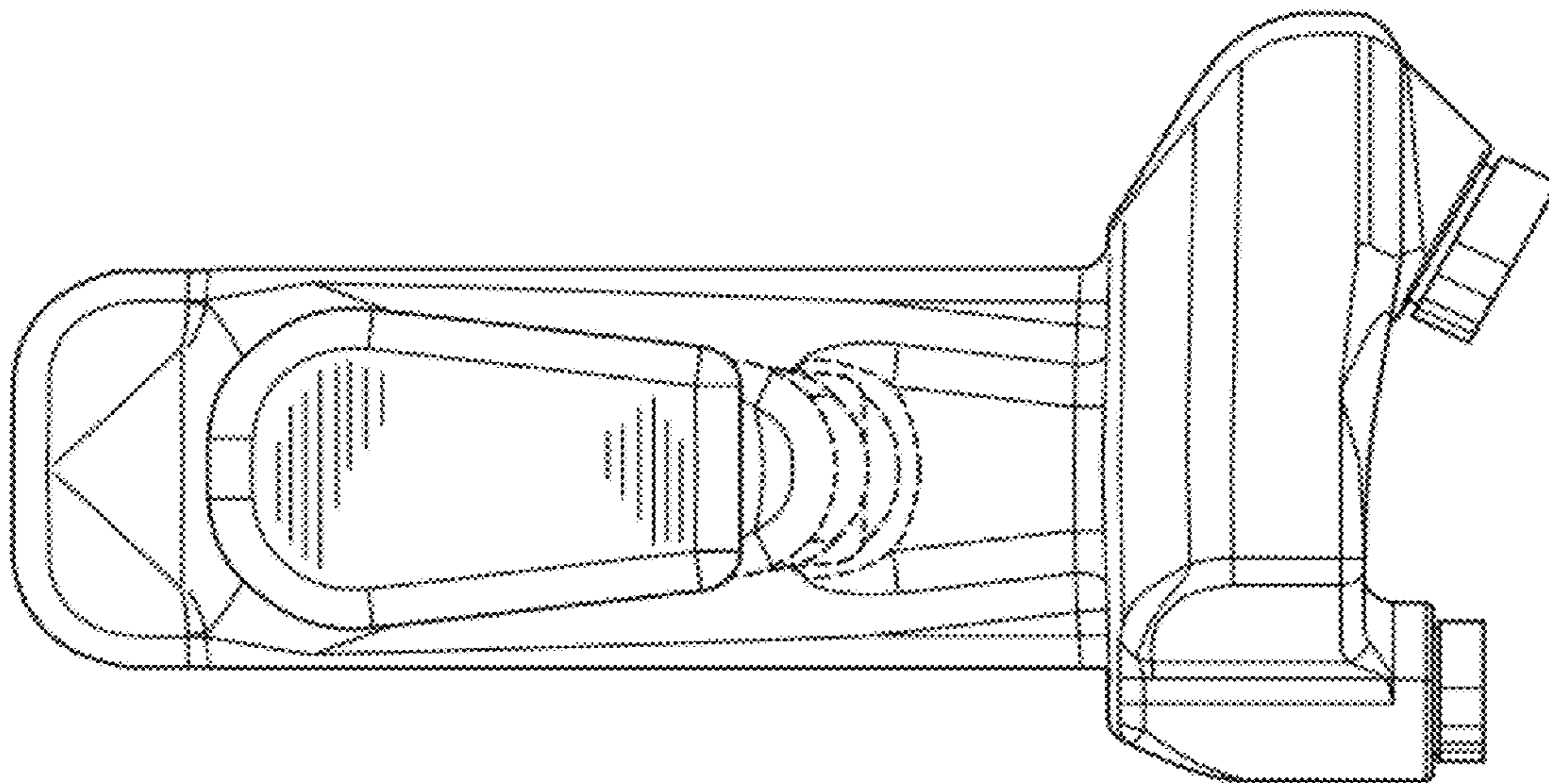


FIG. 14

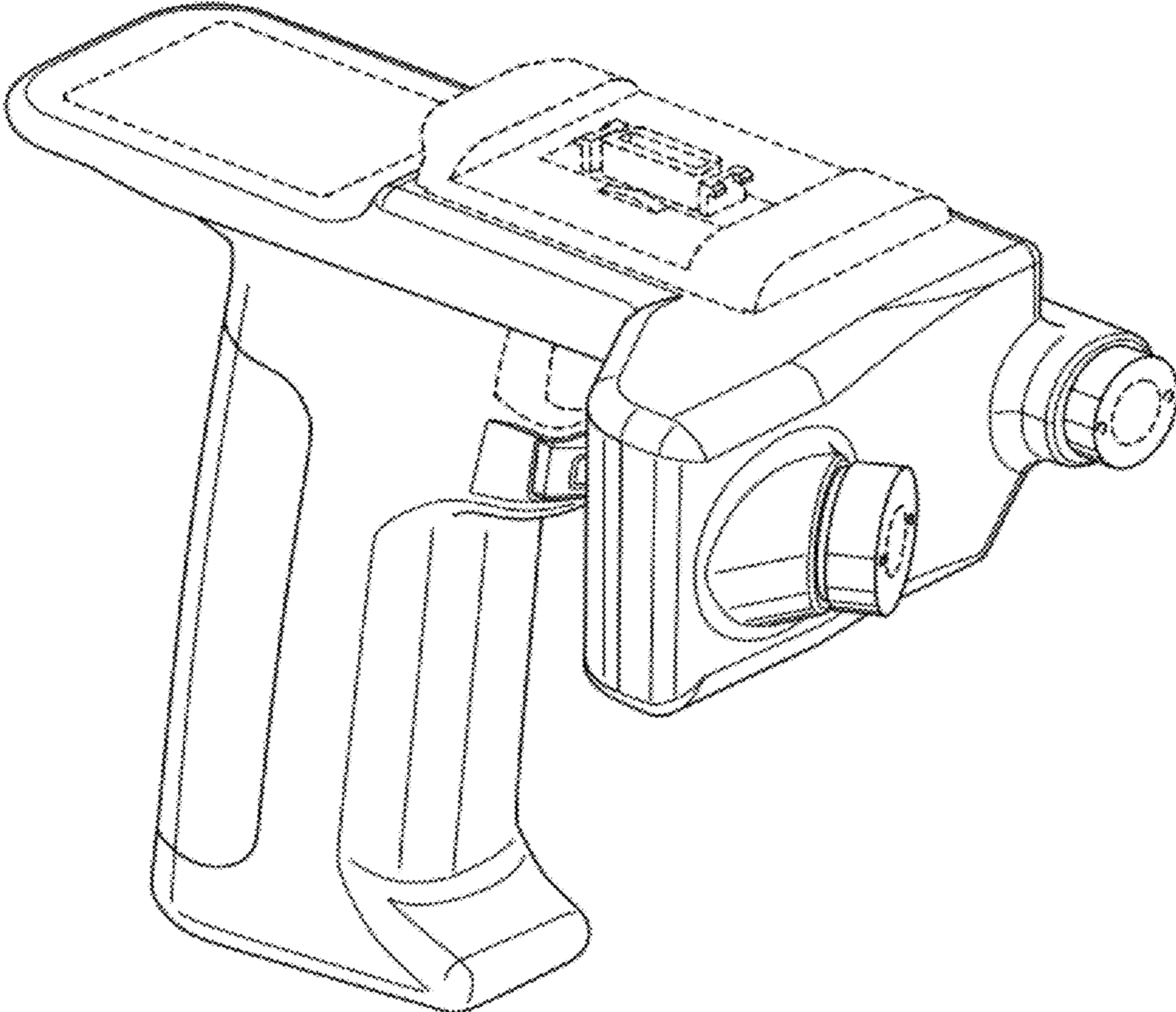


FIG. 15

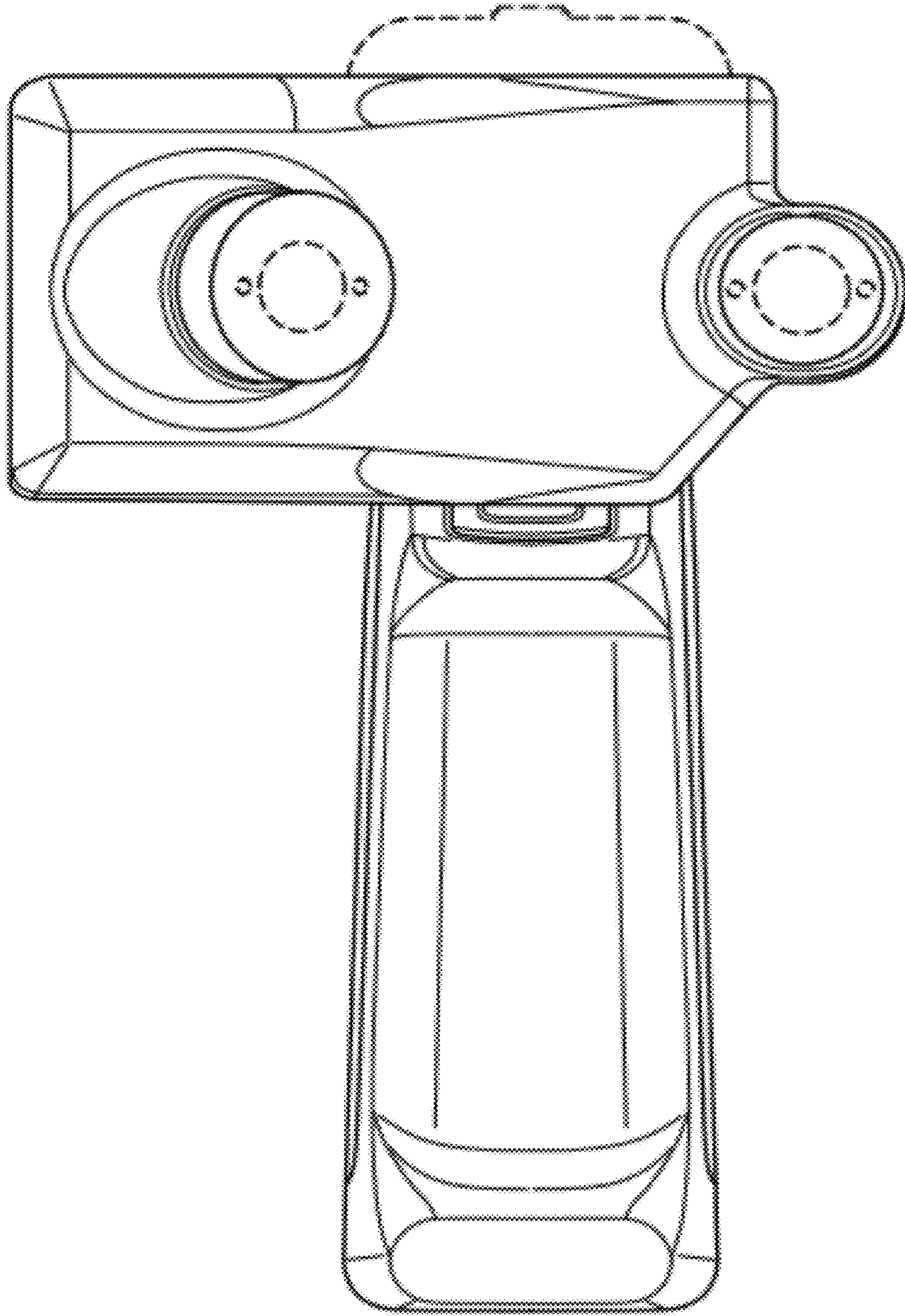


FIG. 16

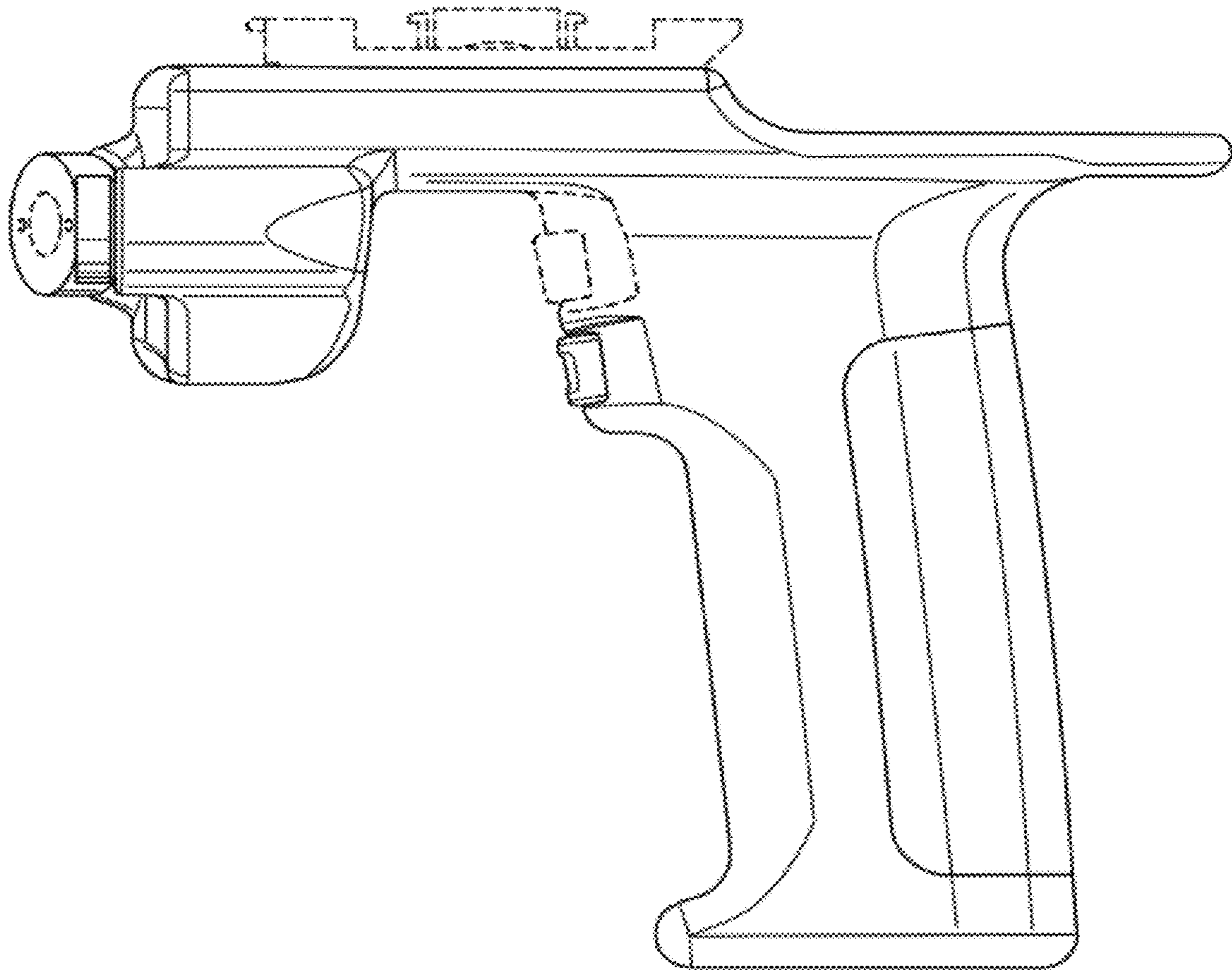


FIG. 17

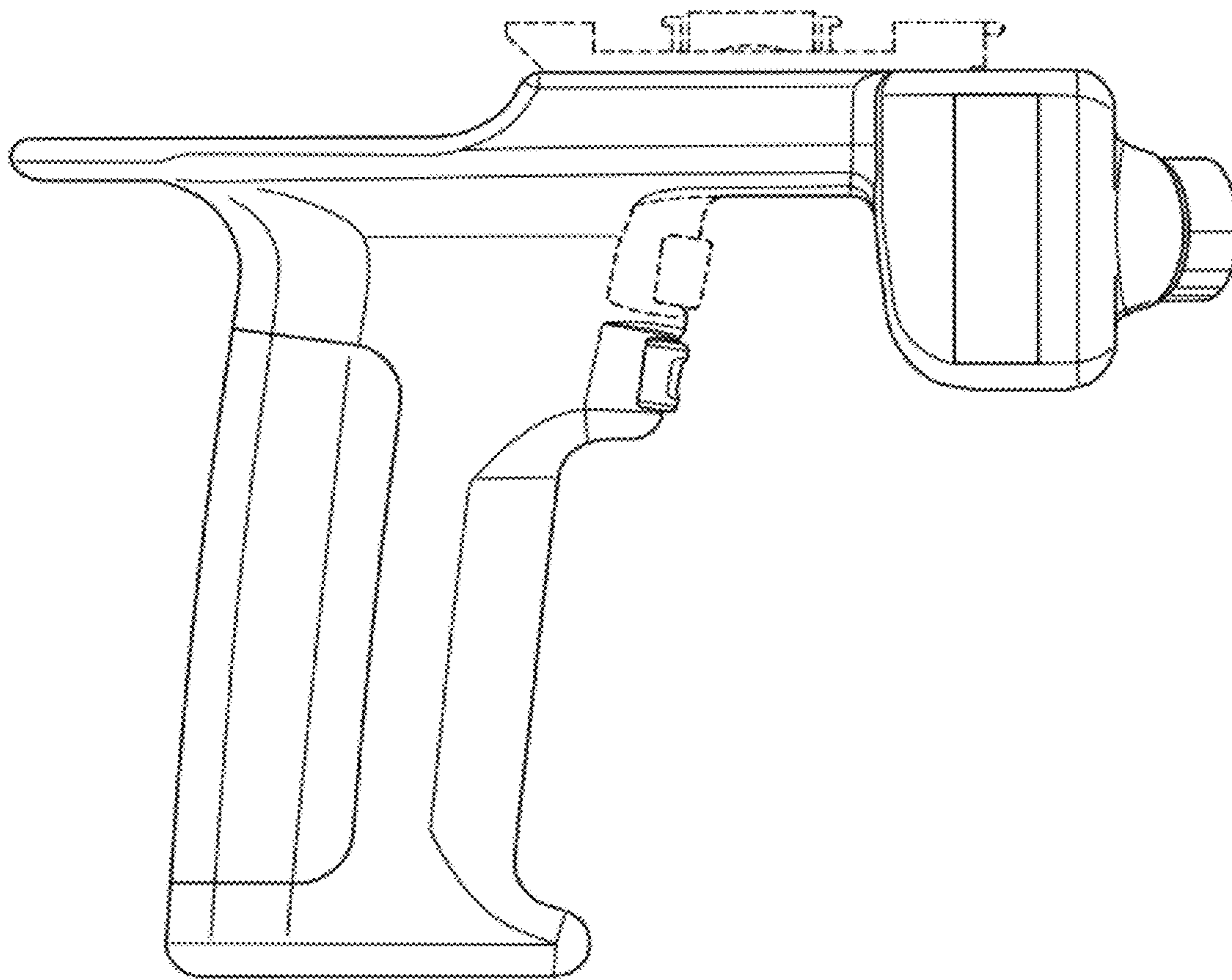


FIG. 18

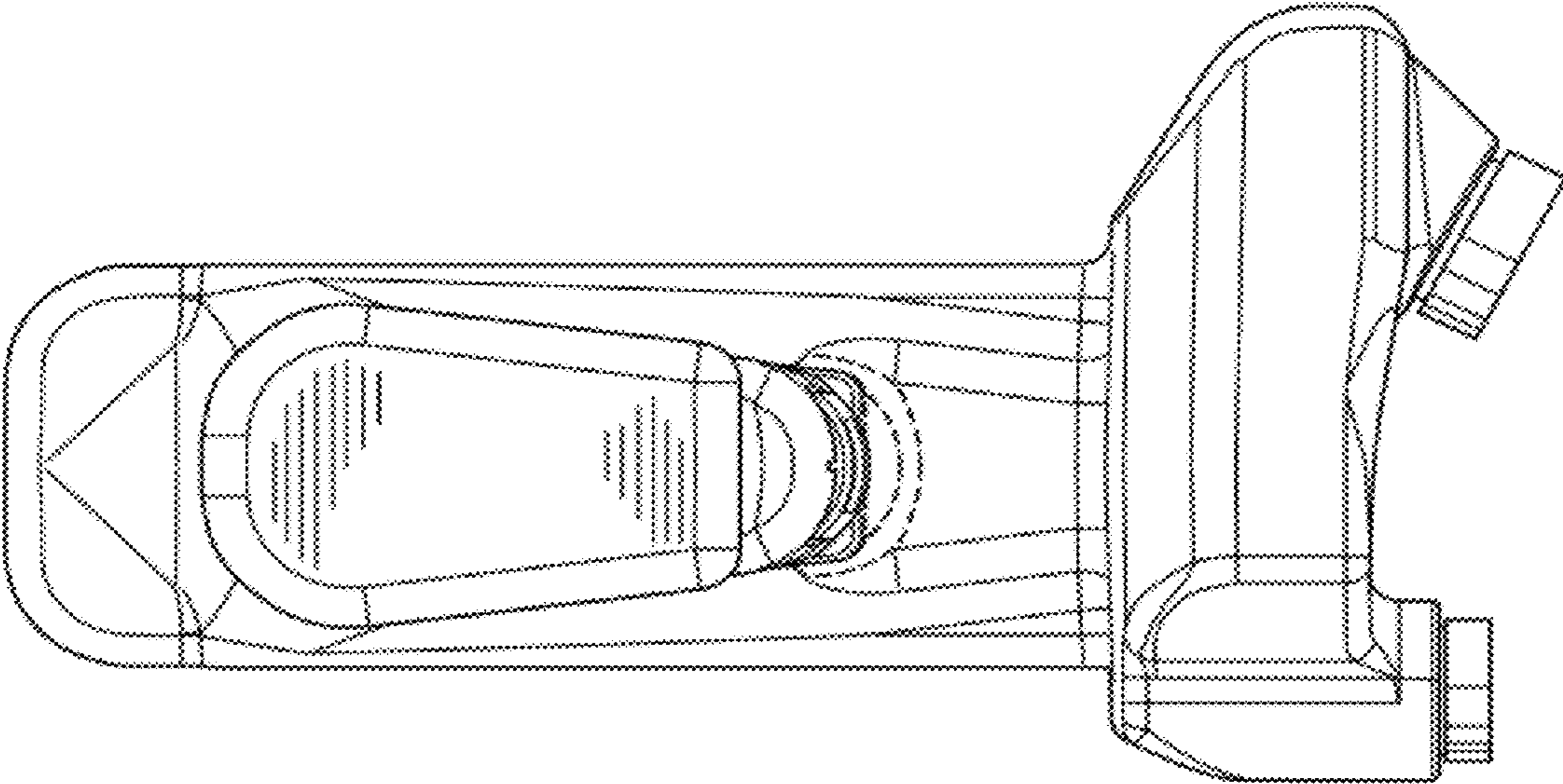


FIG. 19

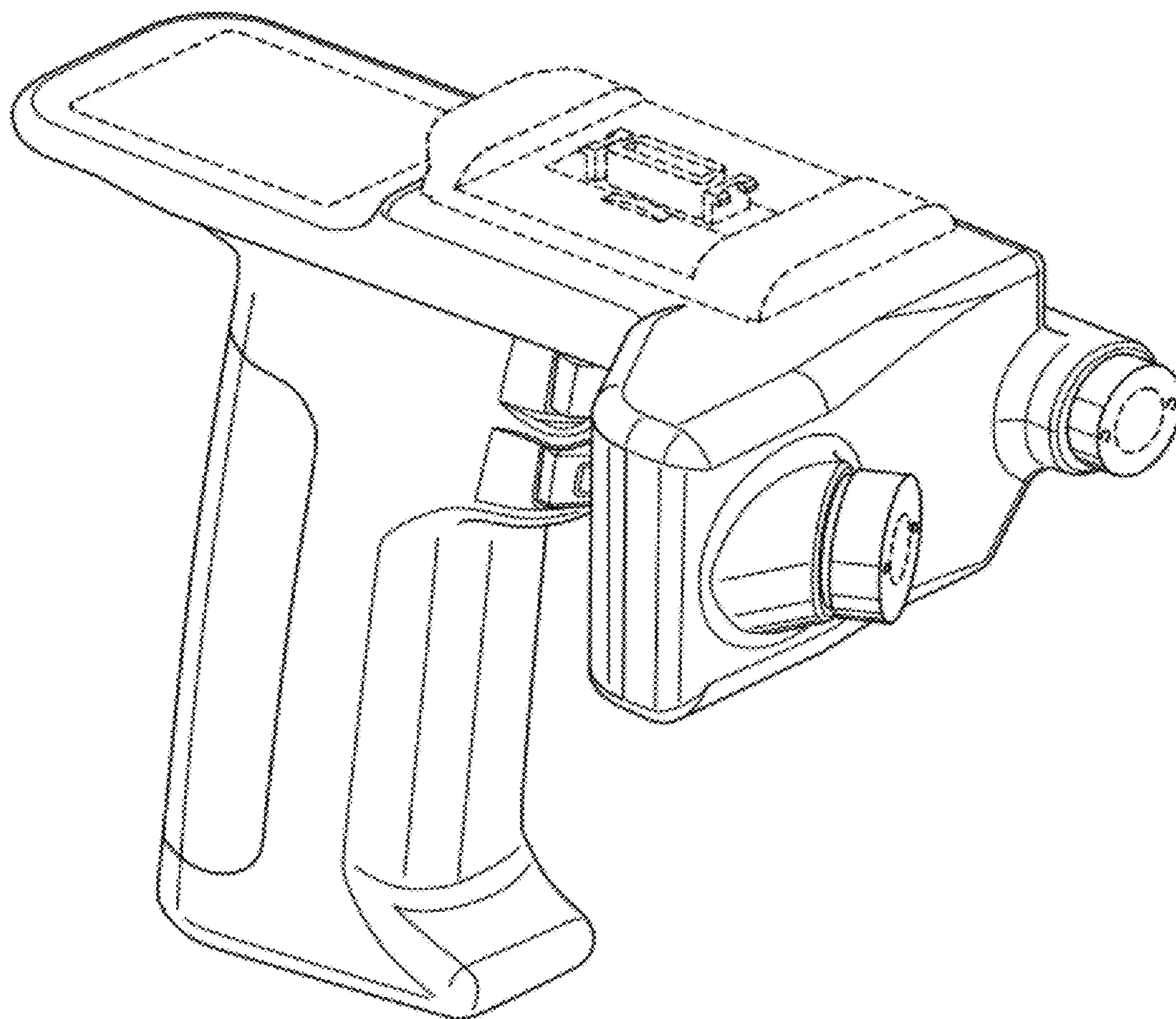


FIG. 20

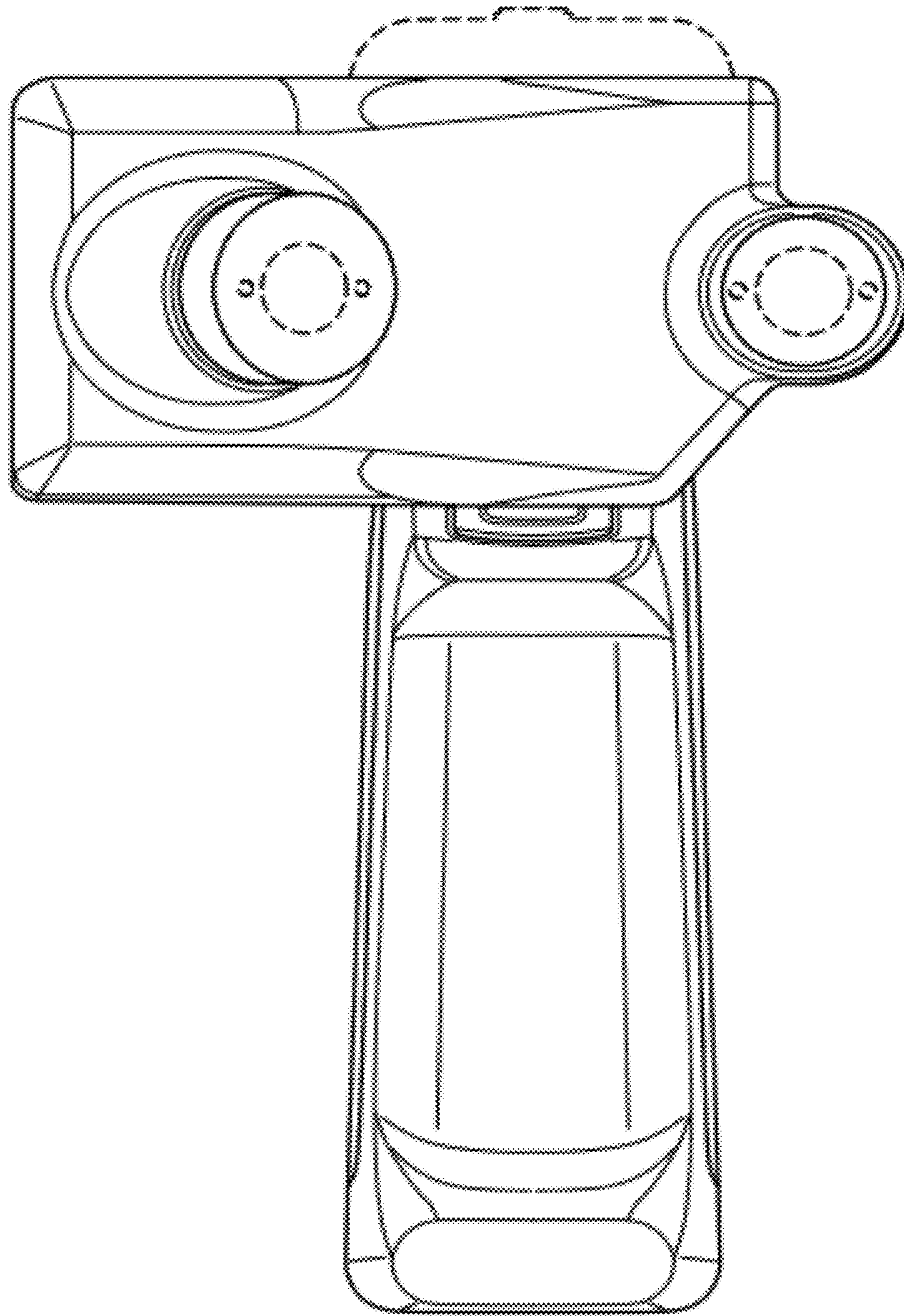


FIG. 21

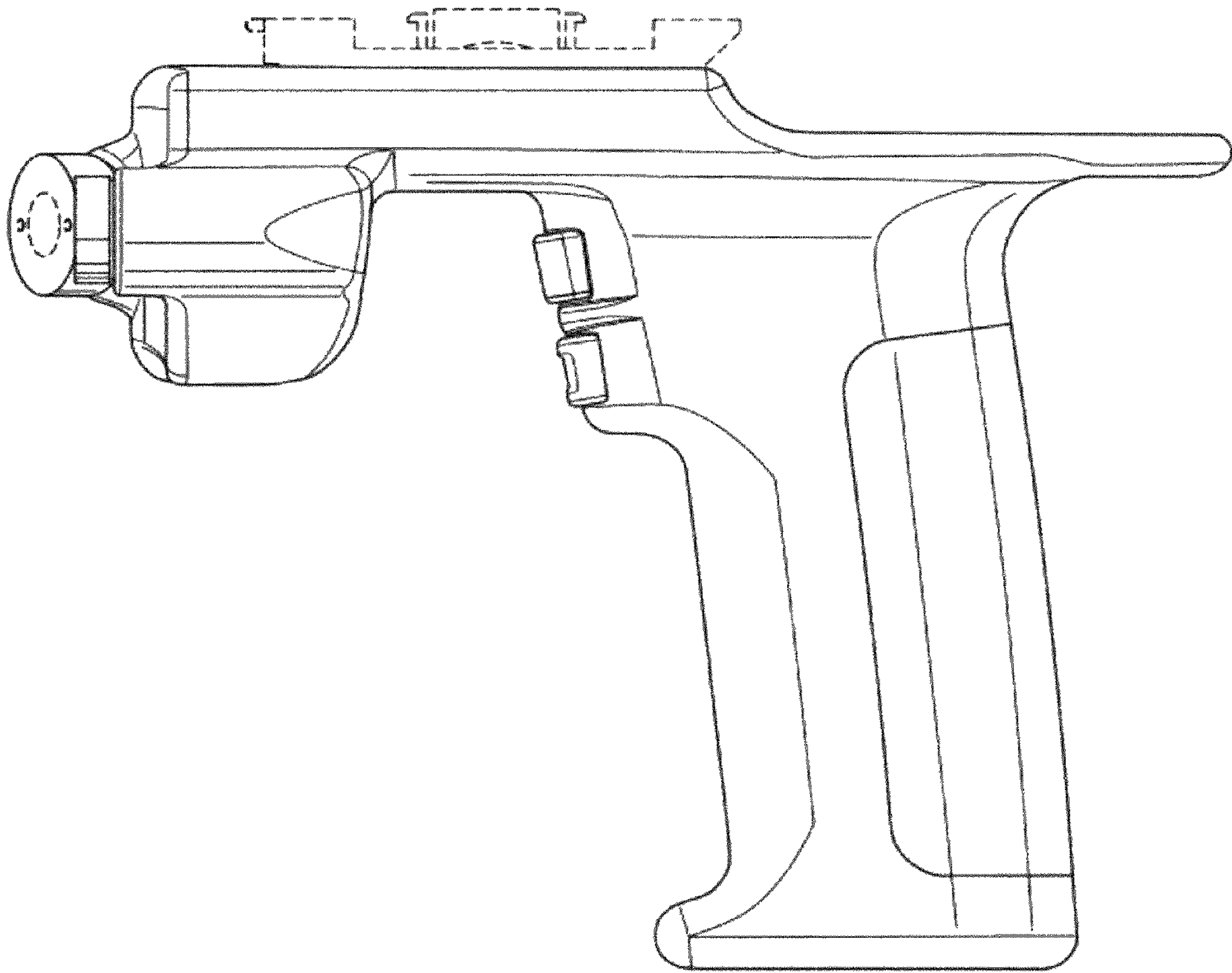


FIG. 22

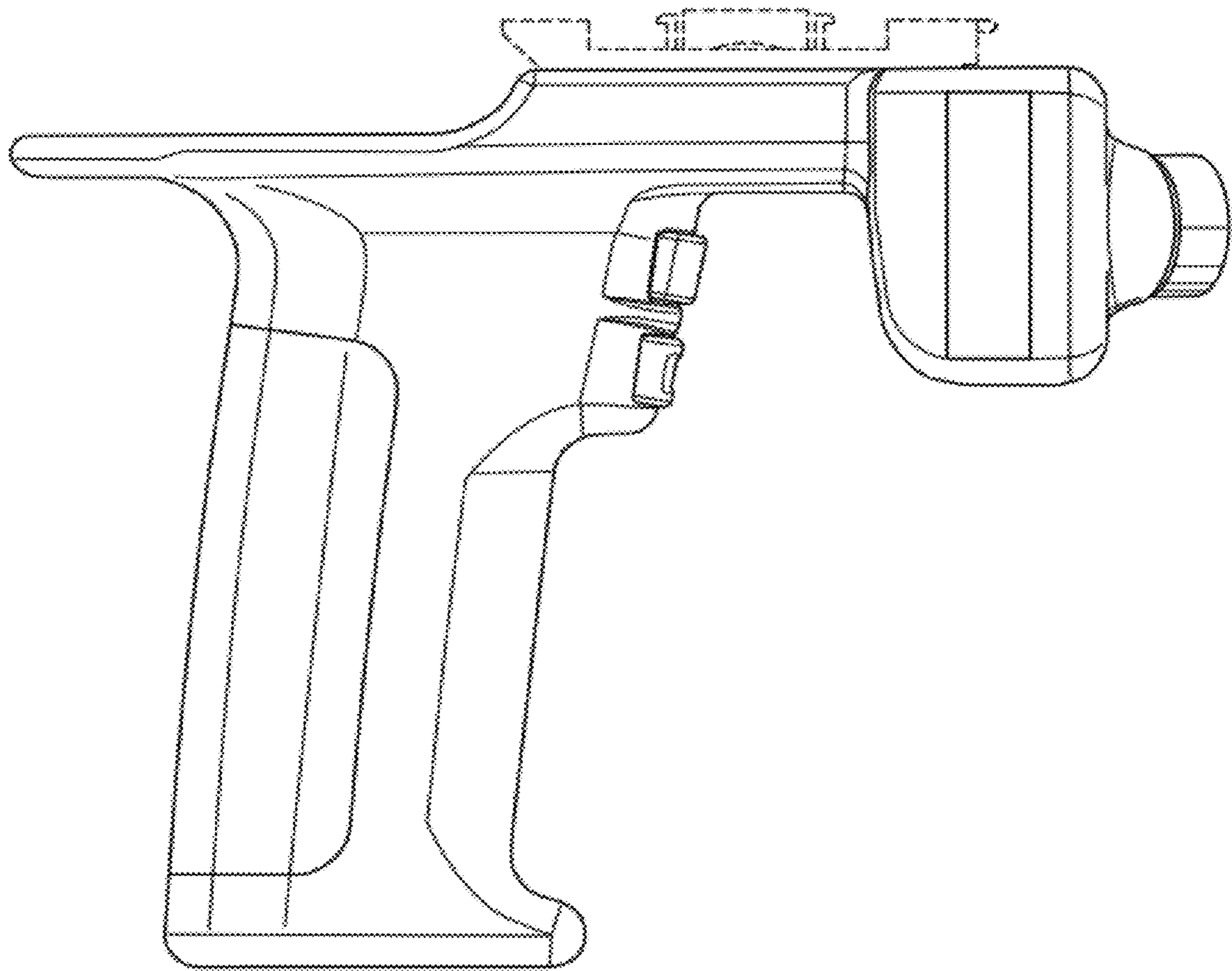


FIG. 23

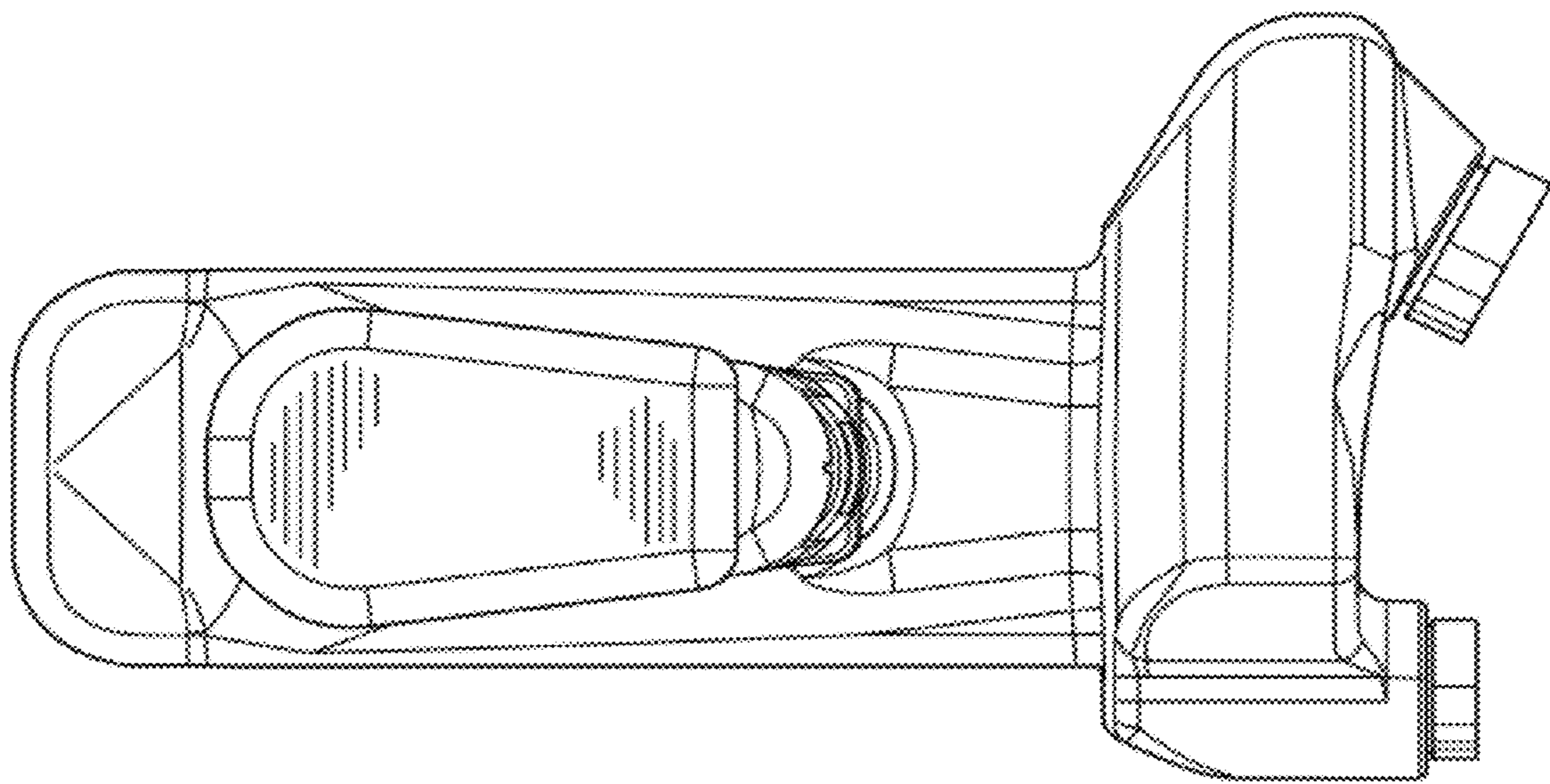


FIG. 24

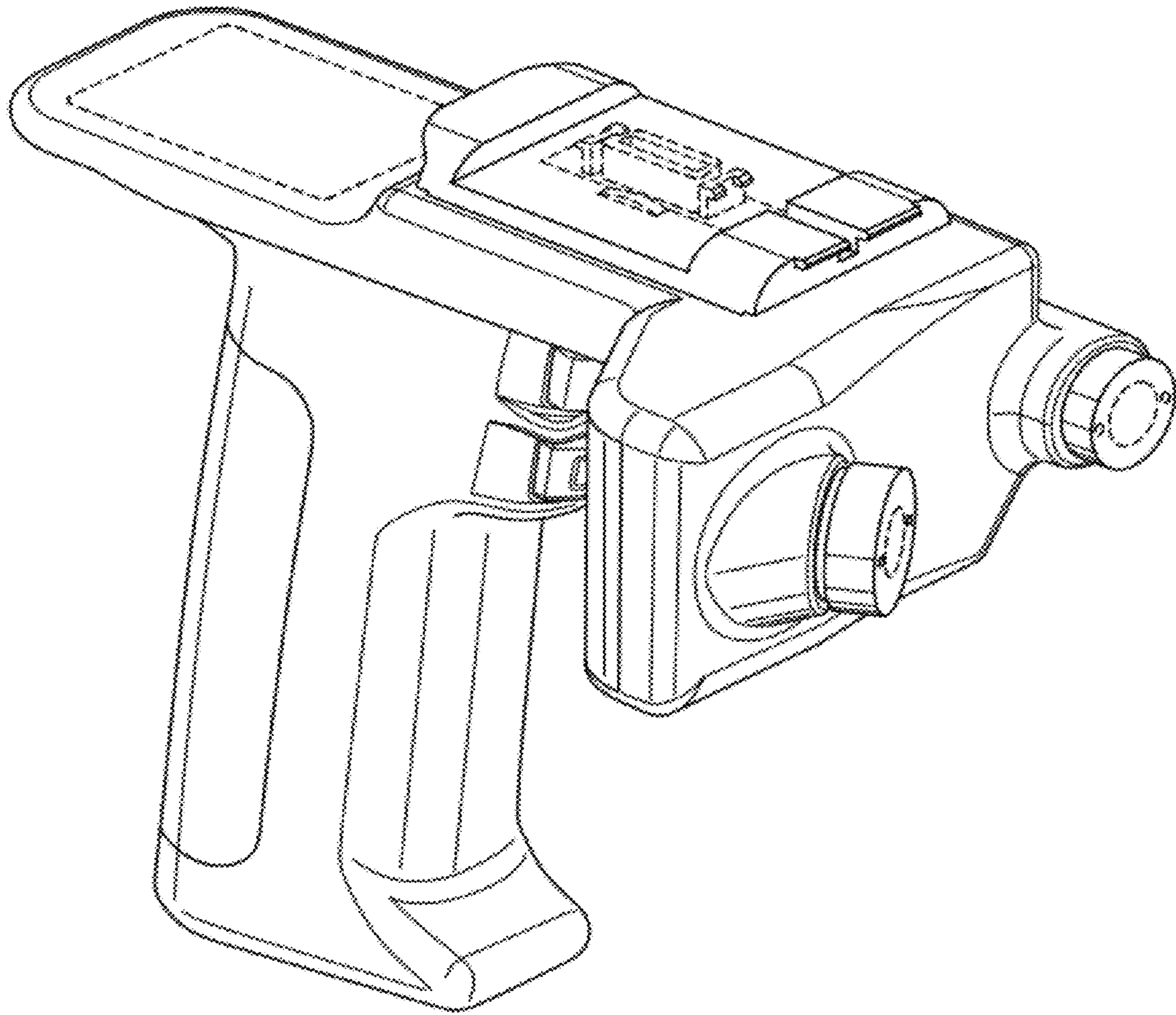


FIG. 25

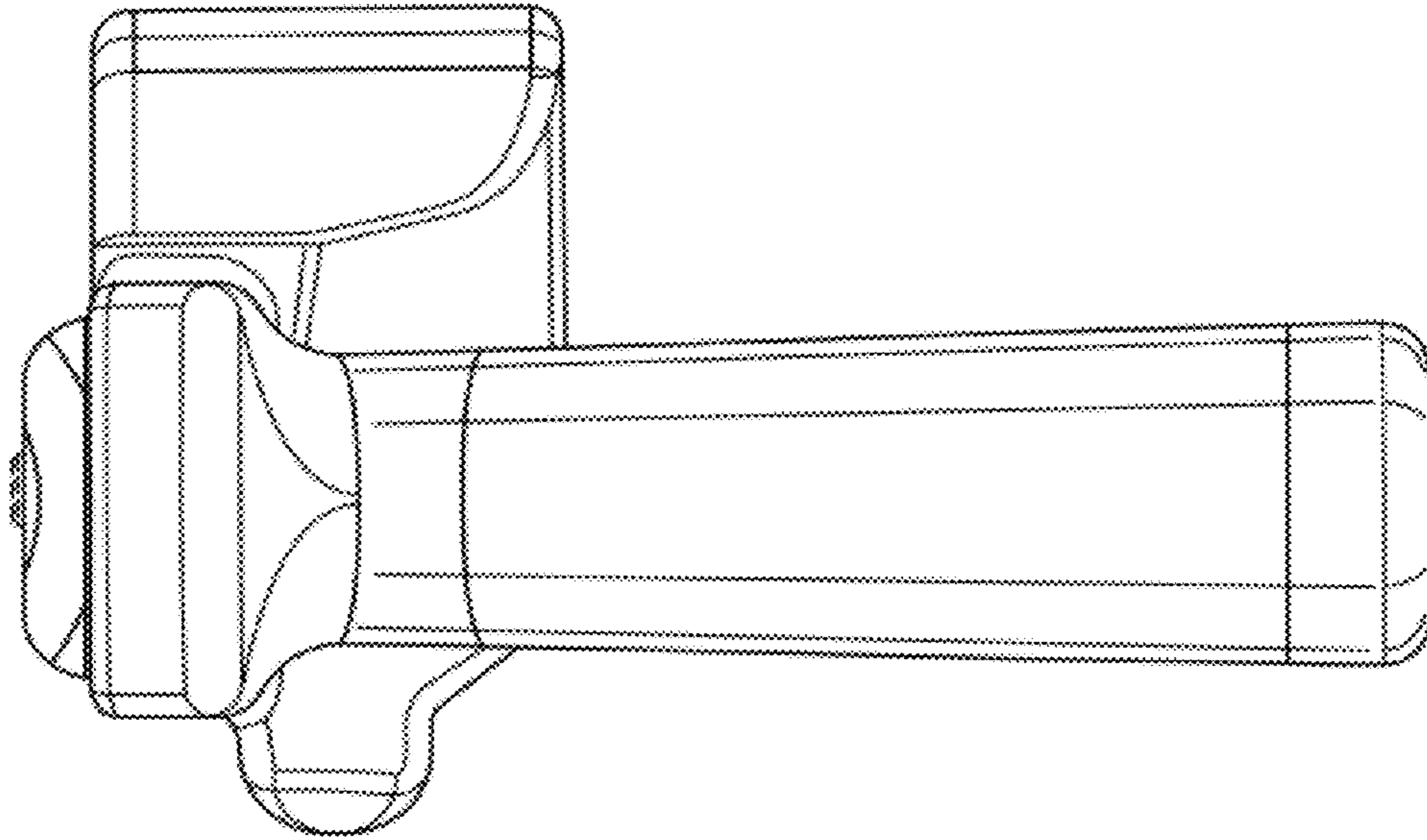


FIG. 27

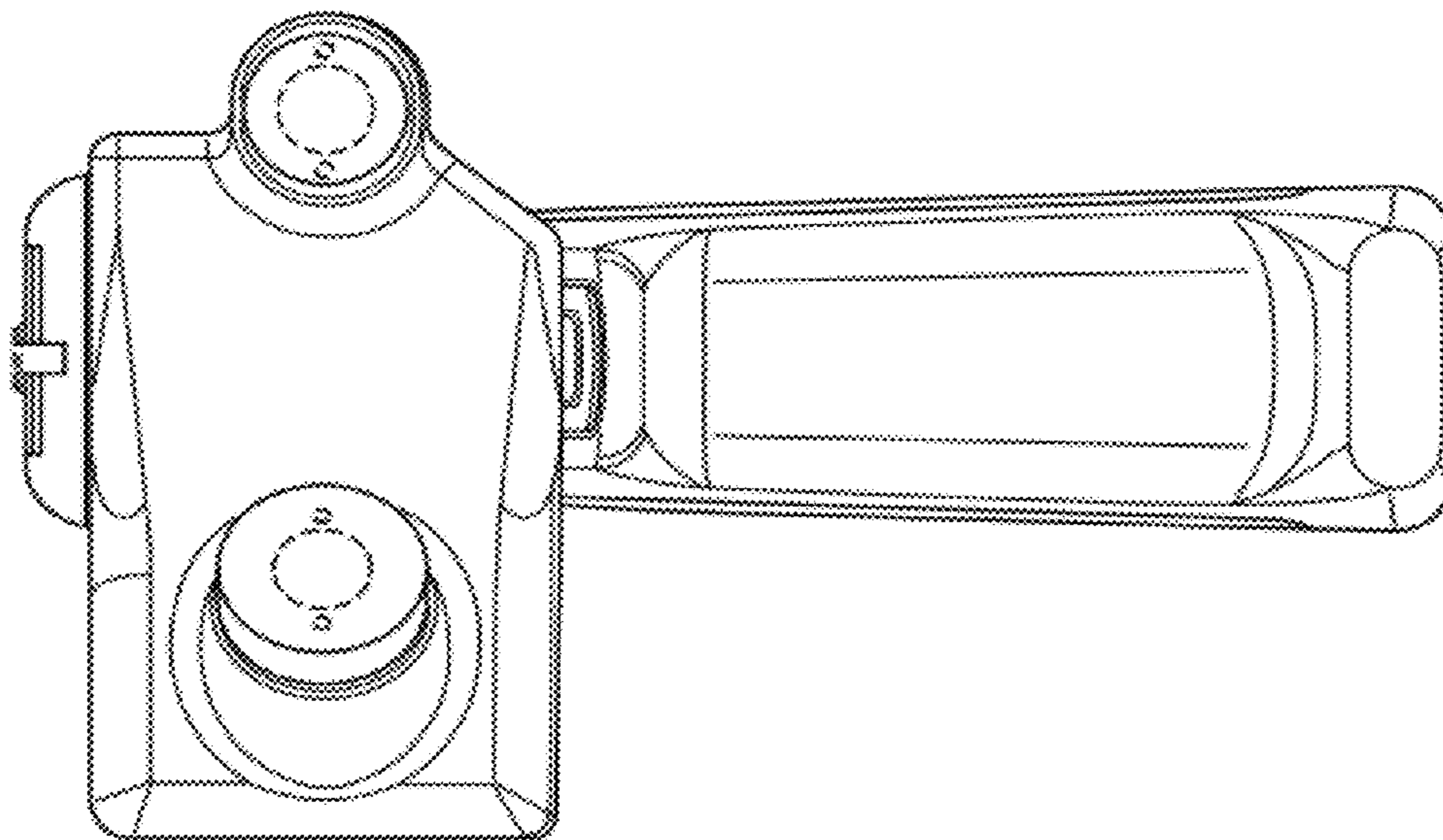


FIG. 26

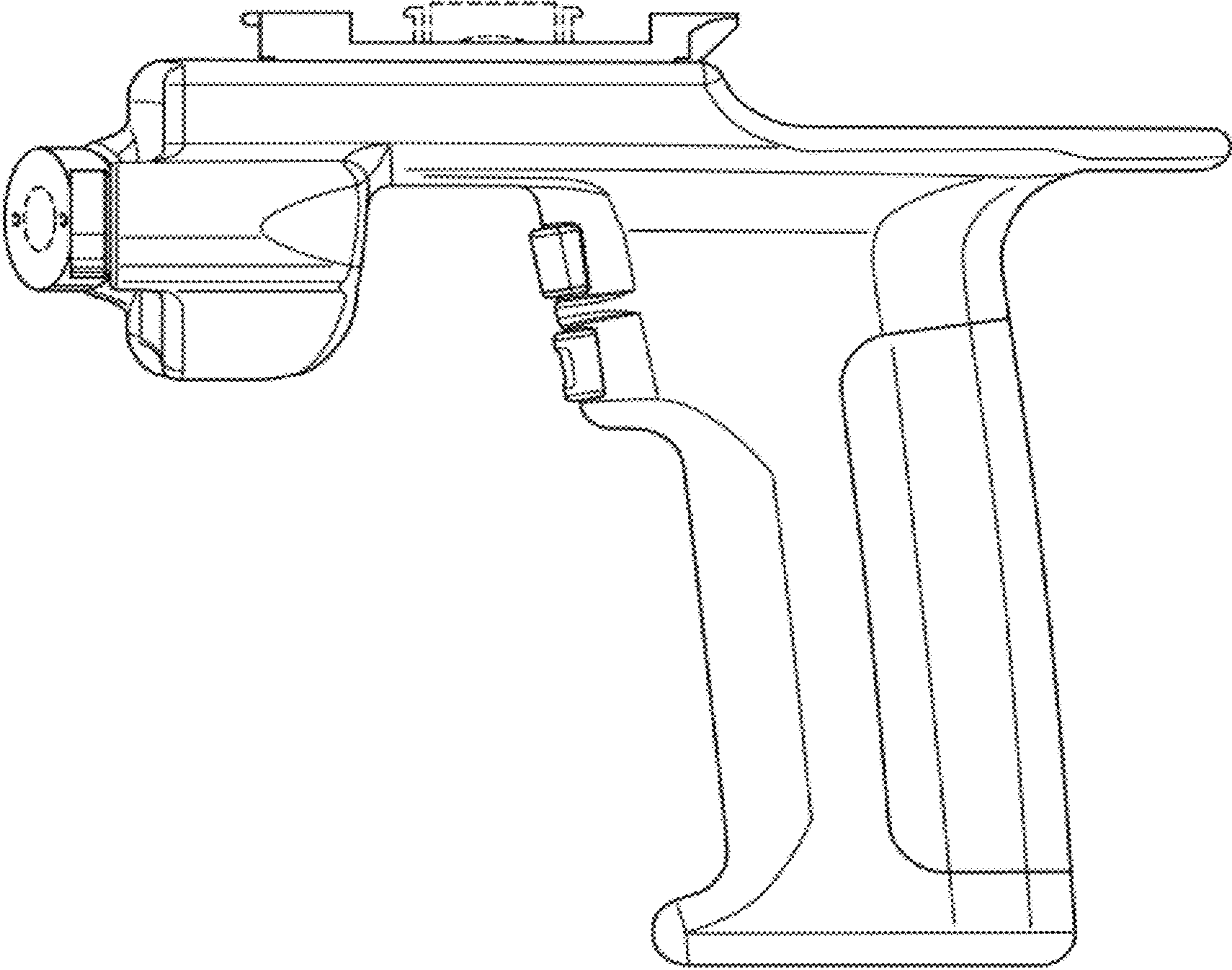


FIG. 28

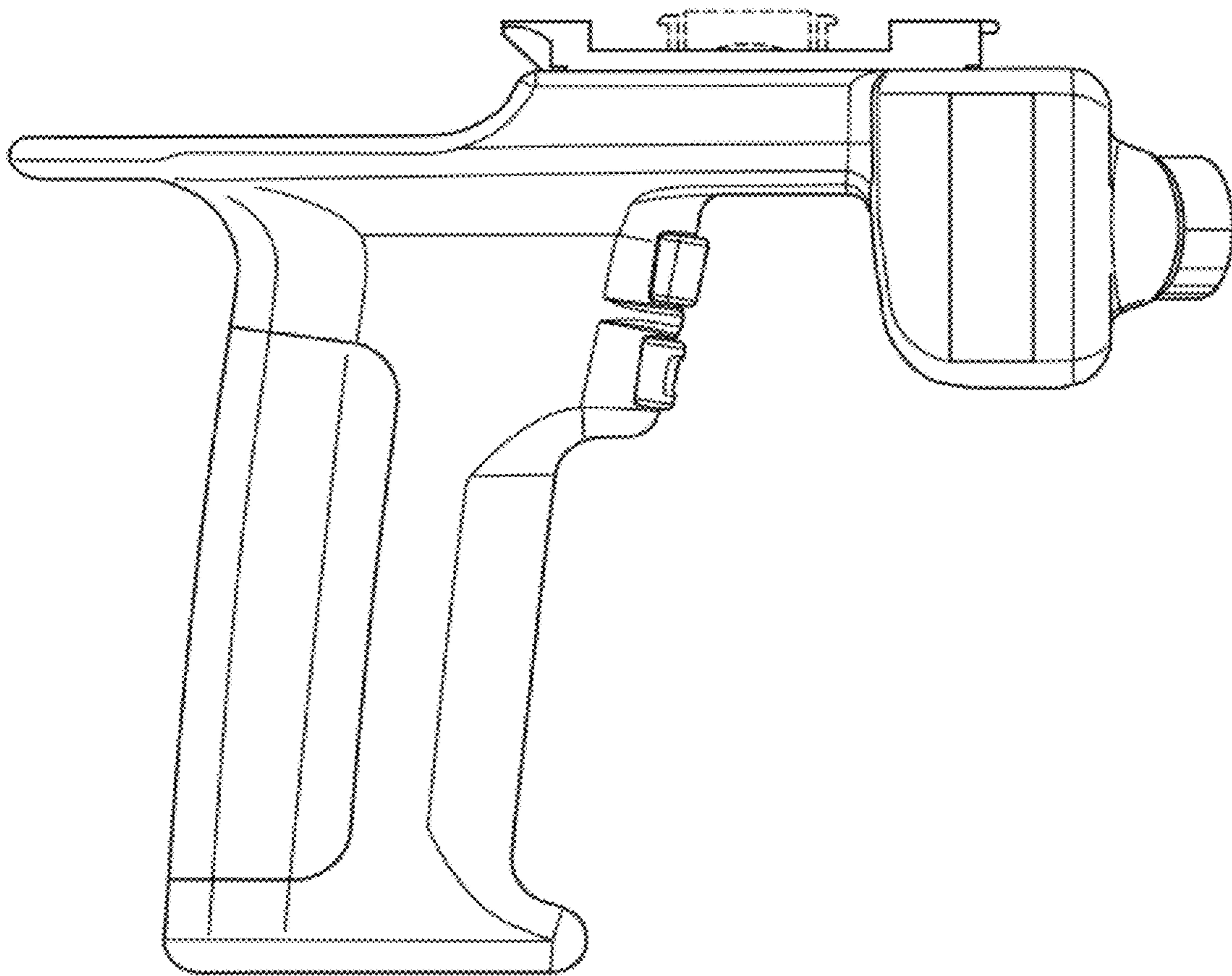


FIG. 29

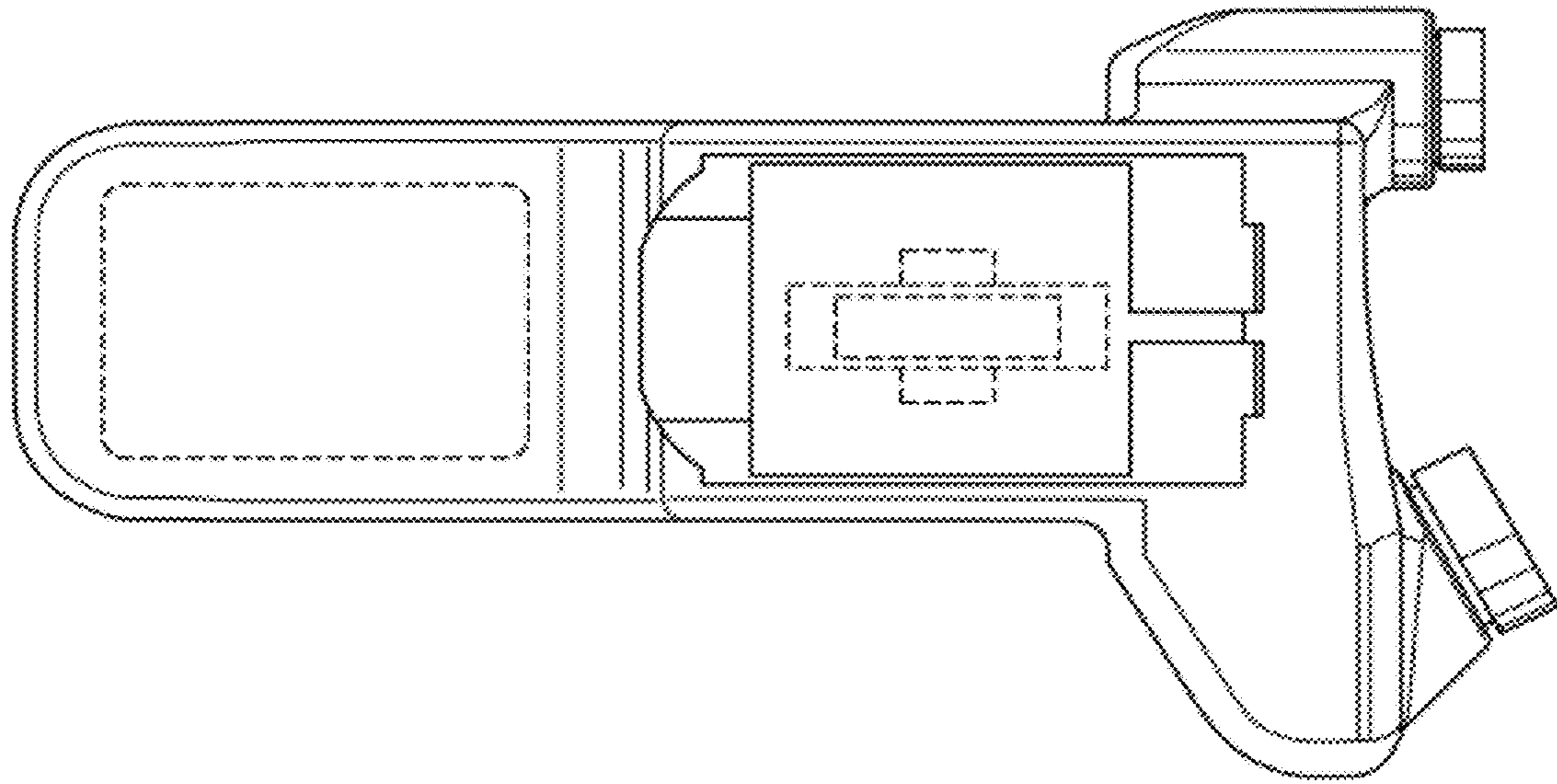


FIG. 30