



US00D659031S

(12) **United States Design Patent**
MacKay et al.

(10) **Patent No.:** **US D659,031 S**
(45) **Date of Patent:** **** May 8, 2012**

(54) **FRAMING SQUARE COMBINATION TOOL**

(75) Inventors: **Timothy MacKay**, Kitchener (CA);
Guoli Jian, Waterloo (CA)

(73) Assignee: **Maxtech Consumer Products Limited**,
Waterloo, ON

(**) Term: **14 Years**

(21) Appl. No.: **29/384,077**

(22) Filed: **Jan. 26, 2011**

(51) **LOC (9) Cl.** **10-04**

(52) **U.S. Cl.** **D10/62; D10/65**

(58) **Field of Classification Search** D10/62,
D10/65, 69; 33/476, 477, 482, 429, 430,
33/432-434, 436, 437, 470, 460, 474, 480,
33/451, 481, 479, 403, 371, 370, 475, DIG. 21
See application file for complete search history.

(56) **References Cited**

U.S. PATENT DOCUMENTS

5,894,675 A * 4/1999 Cericola 33/451
D436,543 S * 1/2001 Douglas D10/62

* cited by examiner

Primary Examiner — Antoine D Davis

(57) **CLAIM**

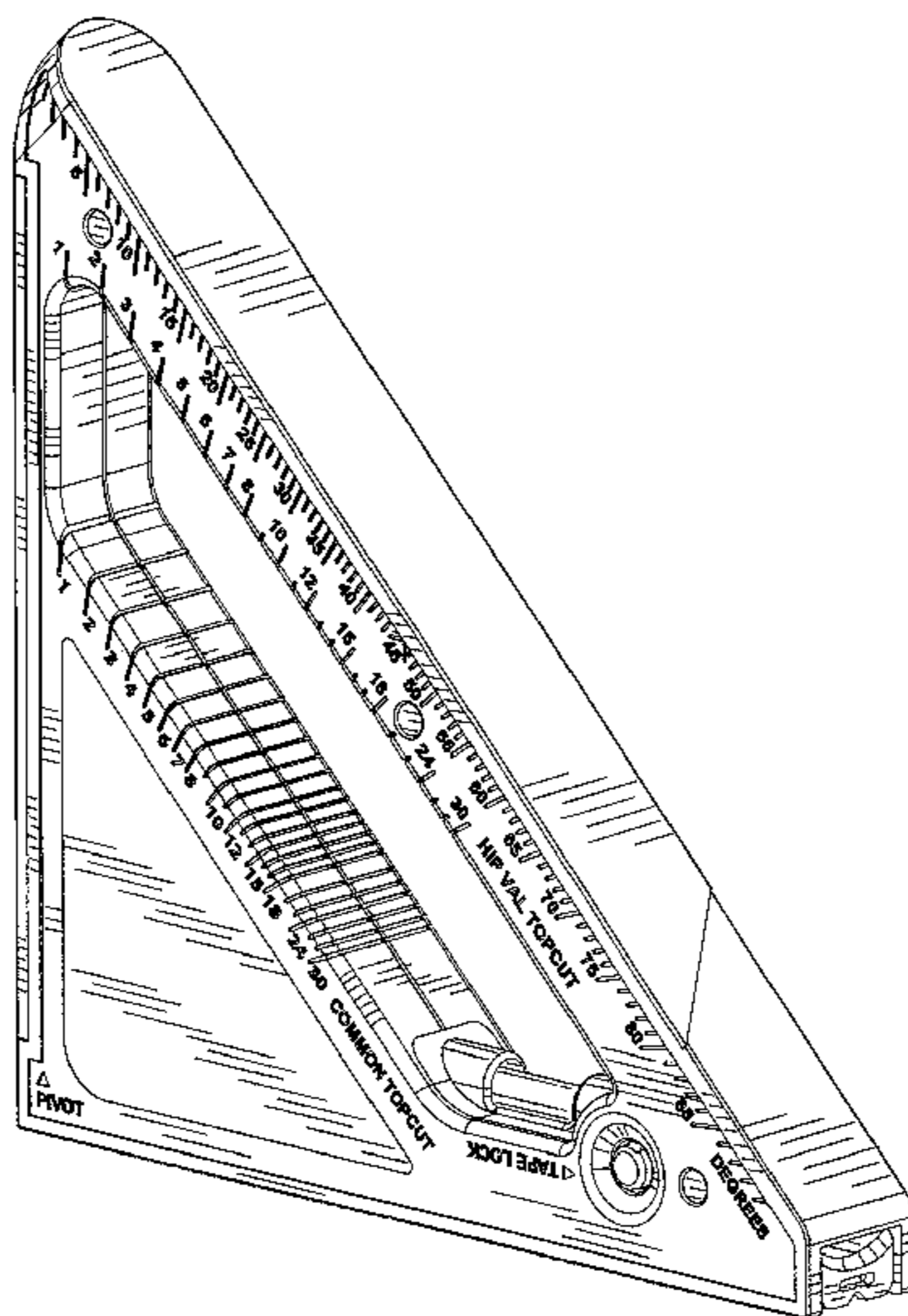
The ornamental design for a framing square combination tool, as shown and described.

DESCRIPTION

FIG. 1 is an isometric view of the framing square combination tool;
FIG. 2 is another isometric view thereof;
FIG. 3 is a left side thereof;
FIG. 4 is a front side thereof;

FIG. 5 is a right side thereof;
FIG. 6 is a rear side thereof;
FIG. 7 is a top view thereof;
FIG. 8 is a bottom view thereof;
FIG. 9 is an isometric view thereof in which a t-bevel element thereof is in an alternate position;
FIG. 10 is an elevation view of the rear side thereof in which a lip element thereof is shown in a first alternate position;
FIG. 11 is an elevation view of the rear side thereof in which the lip element thereof is shown in a second alternate position;
FIG. 12 is an isometric view of another embodiment of the framing square combination tool;
FIG. 13 is another isometric view thereof;
FIG. 14 is a left side thereof;
FIG. 15 is a front side thereof;
FIG. 16 is a right side thereof;
FIG. 17 is a rear side thereof;
FIG. 18 is a top view thereof;
FIG. 19 is a bottom view thereof;
FIG. 20 is an isometric view thereof in which a t-bevel element thereof is in an alternate position;
FIG. 21 is an elevation view of the rear side thereof in which a lip element thereof is shown in a first alternate position;
FIG. 22 is an elevation view of the rear side thereof in which the lip element thereof is shown in a second alternate position;
FIG. 23 is a left side of another embodiment of the framing square combination tool;
FIG. 24 is a front side thereof;
FIG. 25 is a right side thereof;
FIG. 26 is a rear side thereof;
FIG. 27 is a top view thereof;
FIG. 28 is a bottom view thereof;
FIG. 29 is a front view thereof in which a t-bevel element thereof is in an alternate position;
FIG. 30 is an elevation view of the rear side thereof in which a lip element thereof is shown in a first alternate position; and,
FIG. 31 is an elevation view of the rear side thereof in which the lip element thereof is shown in a second alternate position.

1 Claim, 16 Drawing Sheets



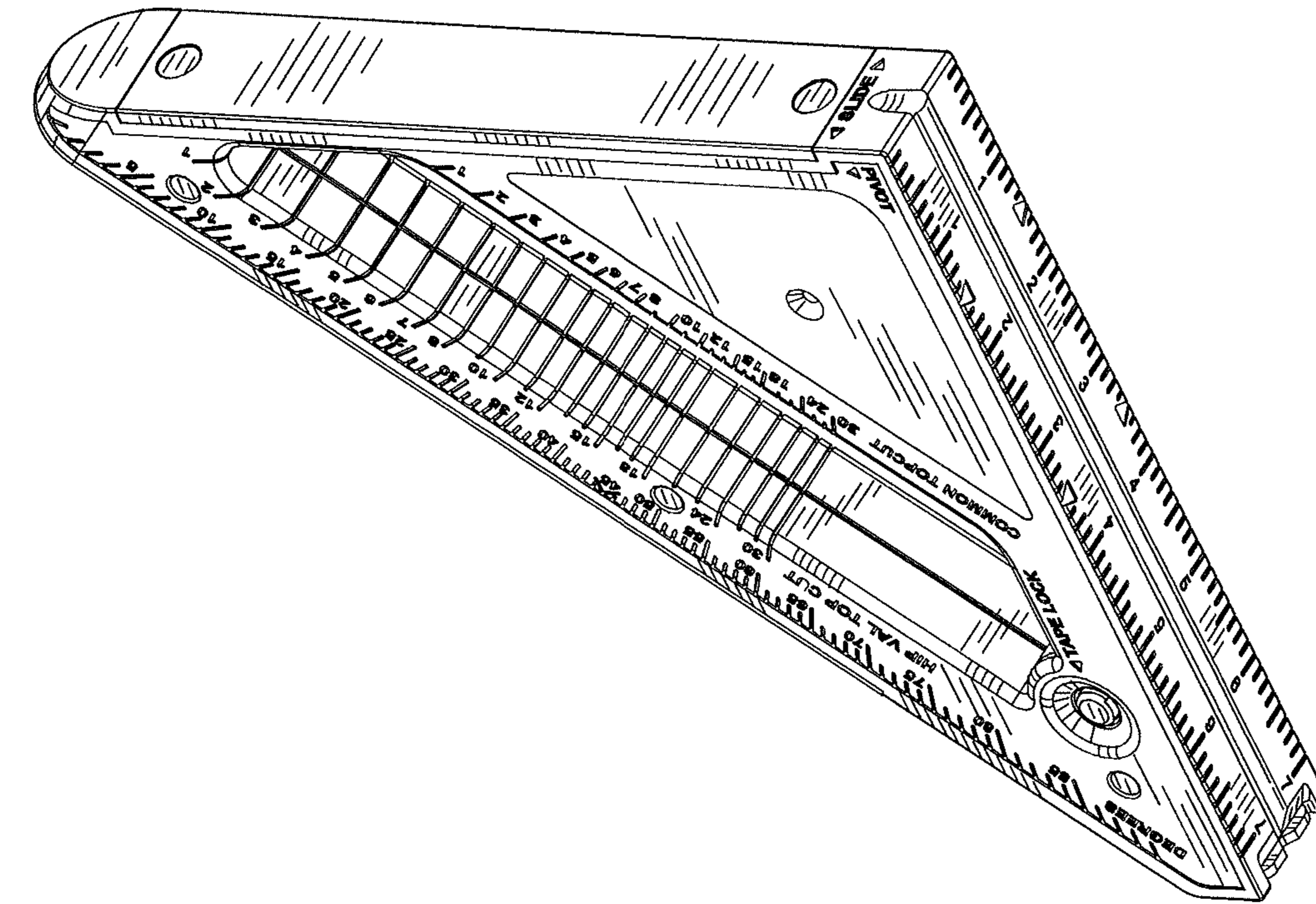


FIG. 2

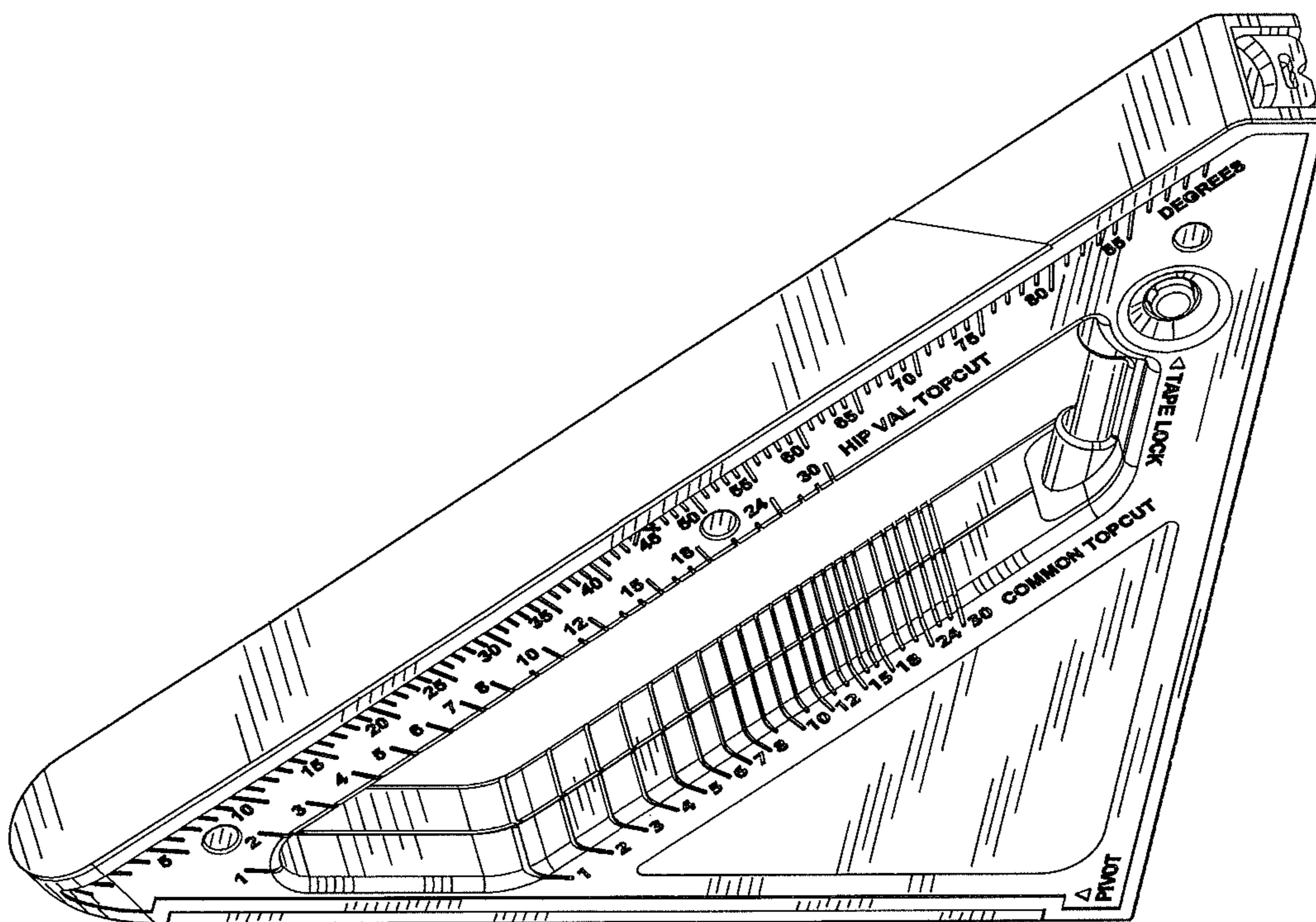


FIG. 1

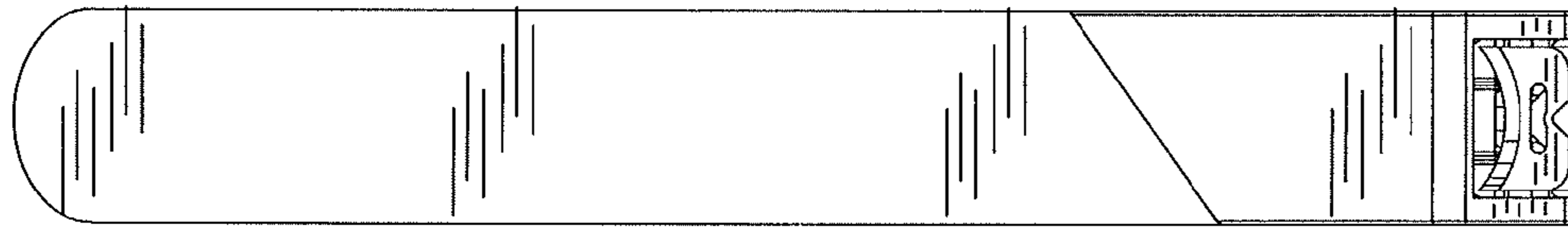


FIG. 4

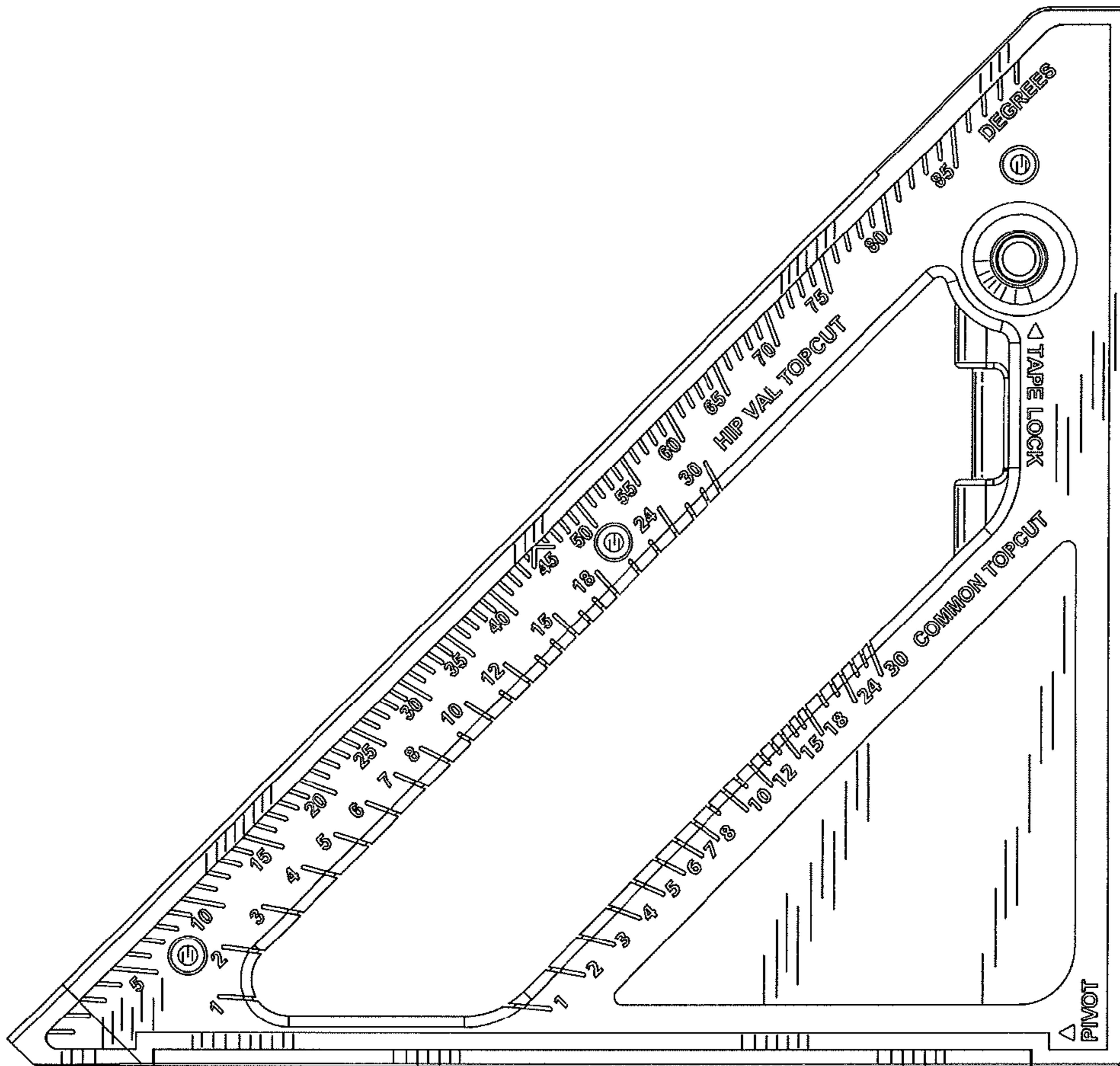


FIG. 3

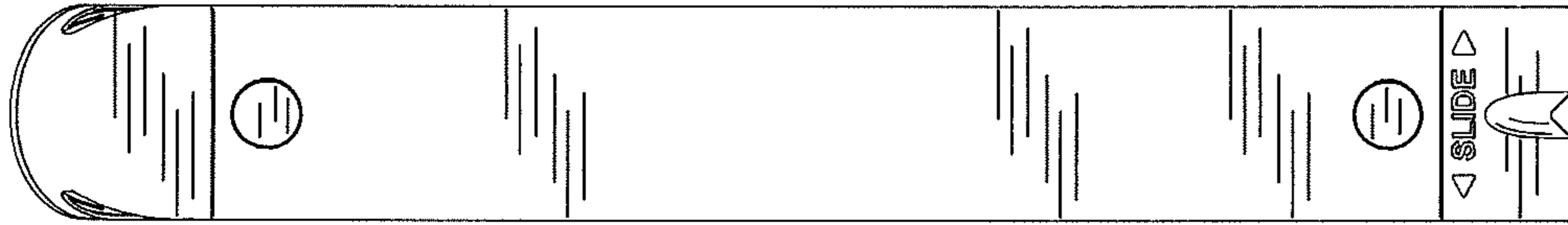


FIG. 6

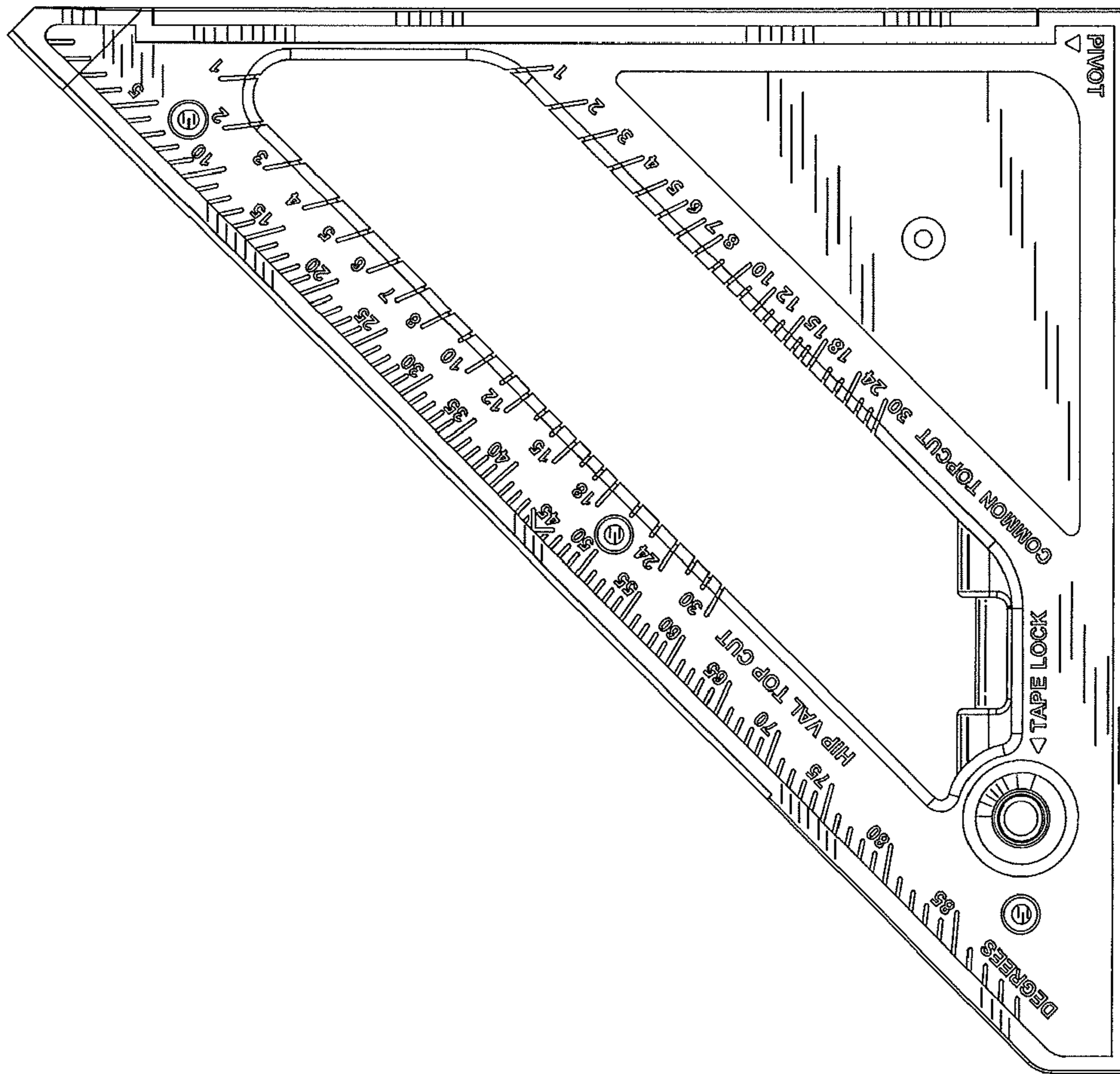


FIG. 5

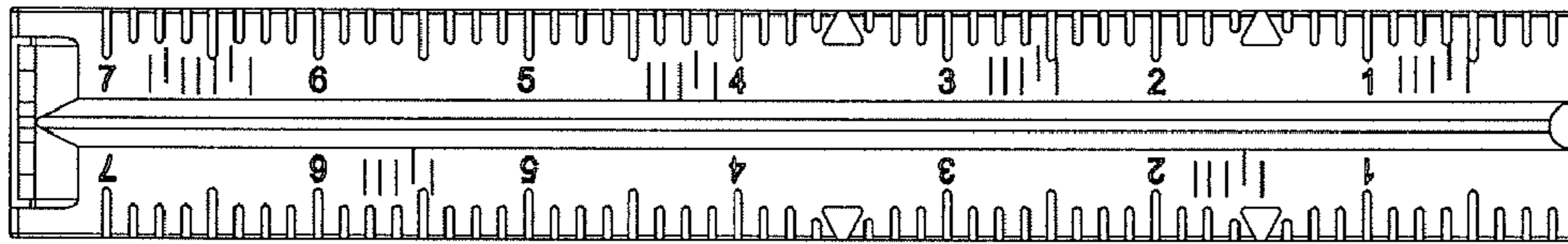


FIG. 8

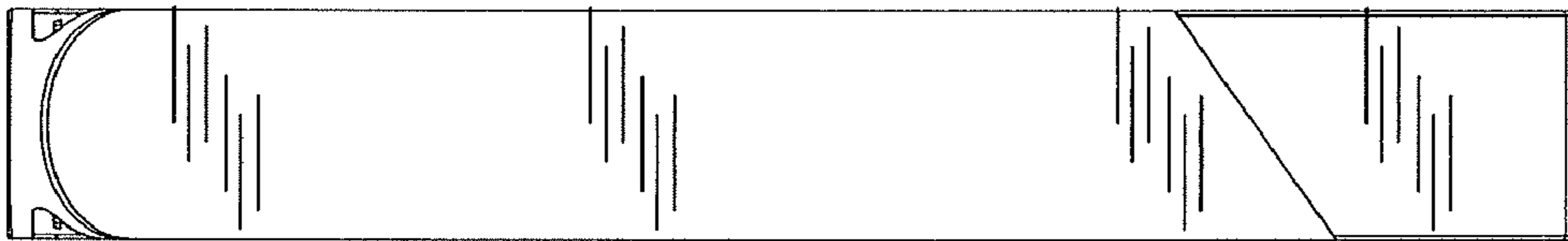


FIG. 7

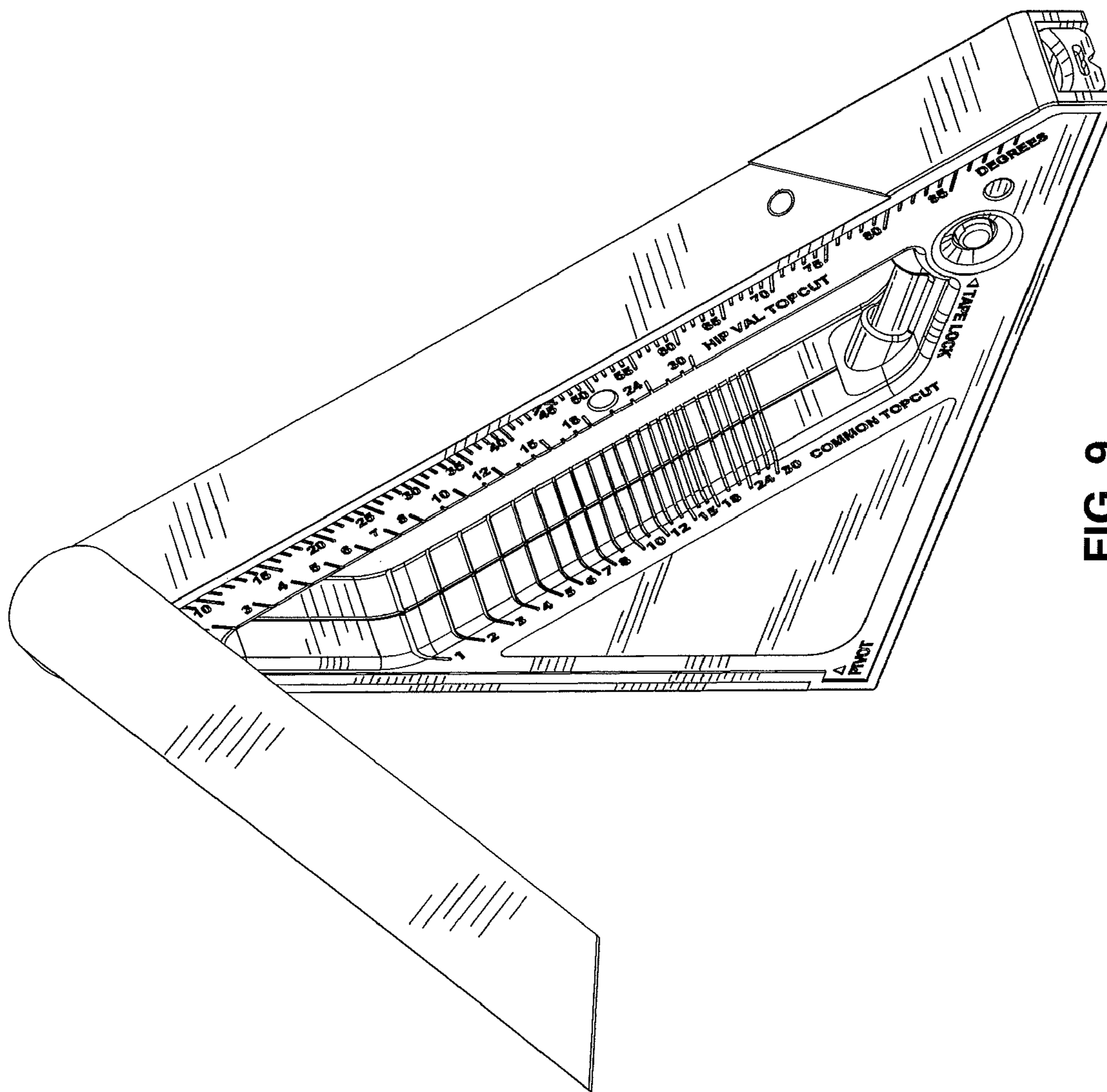


FIG. 9

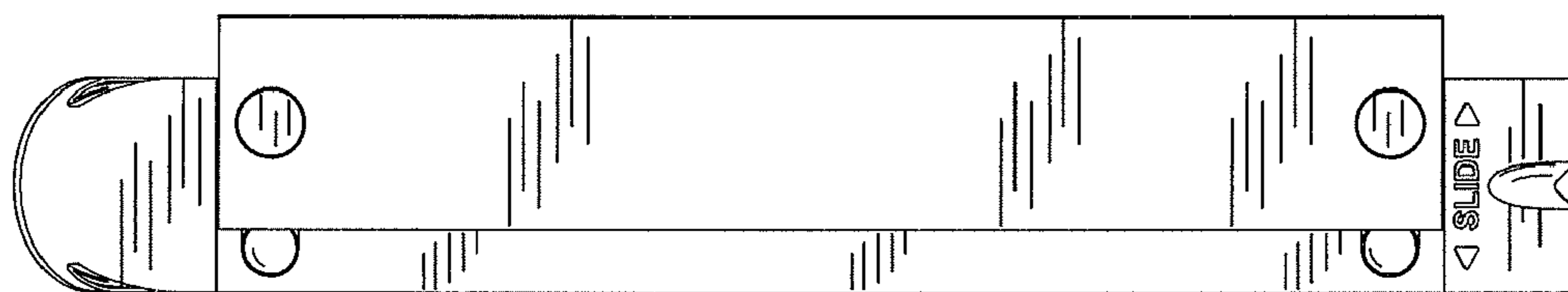


FIG. 11

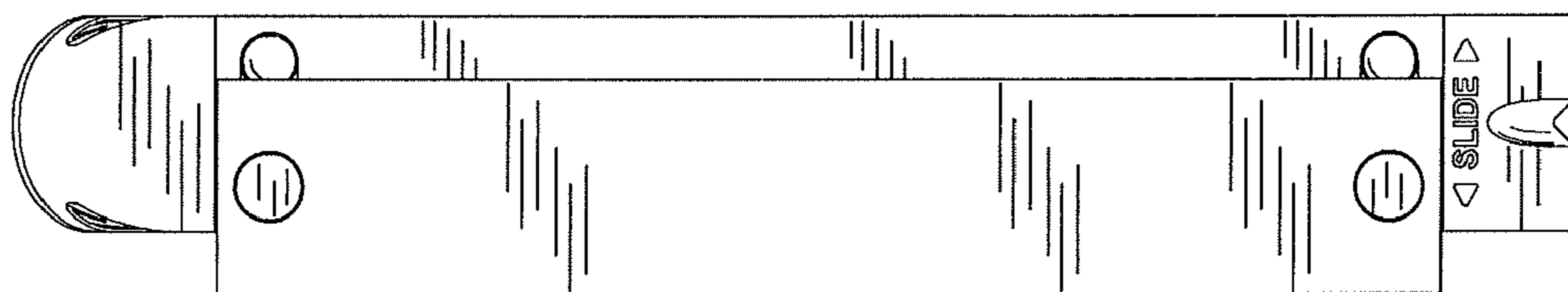


FIG. 10

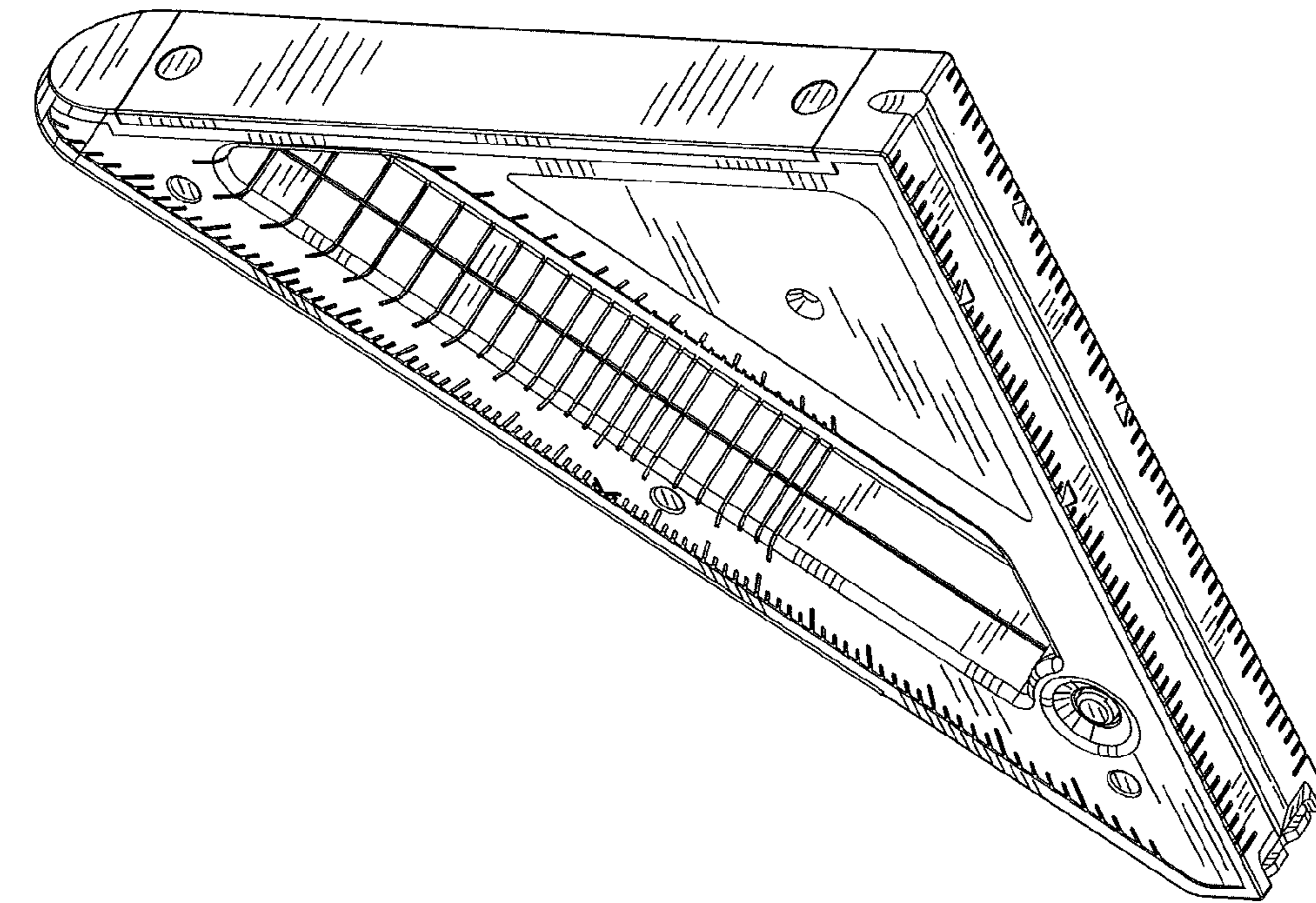


FIG. 13

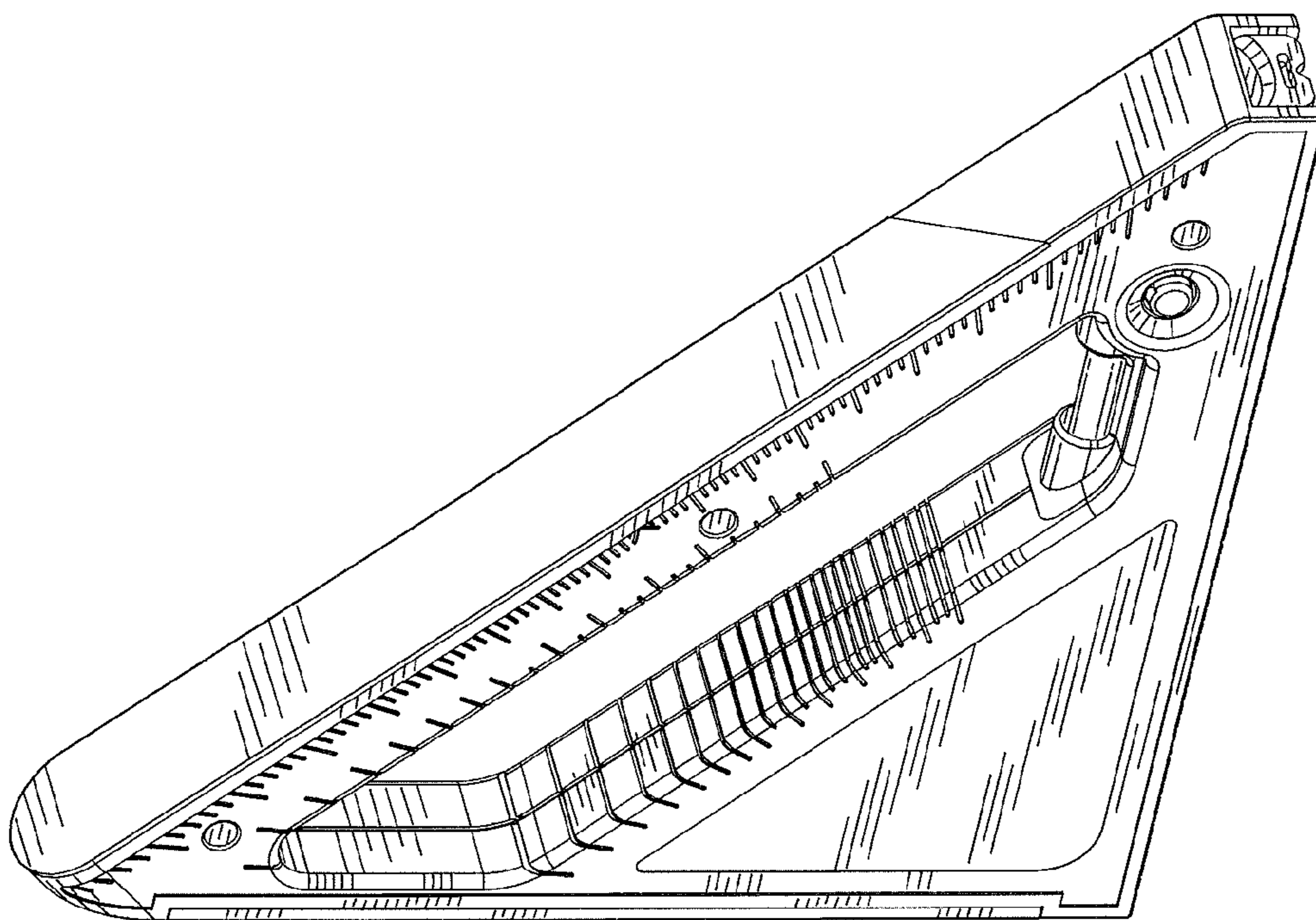


FIG. 12

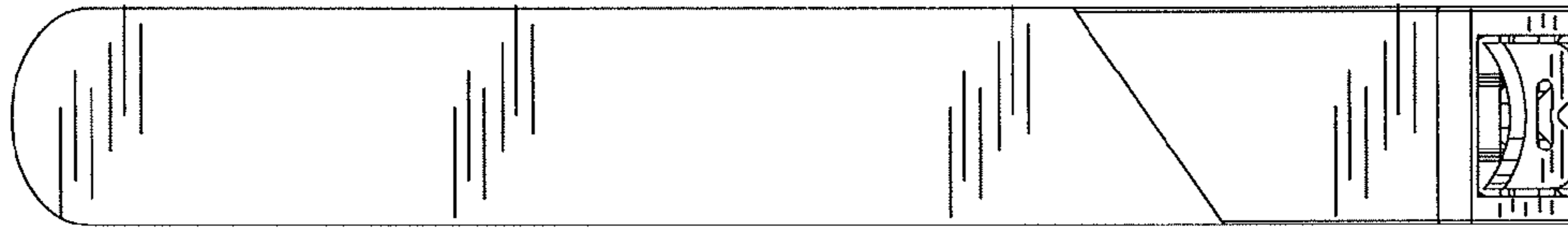


FIG. 15

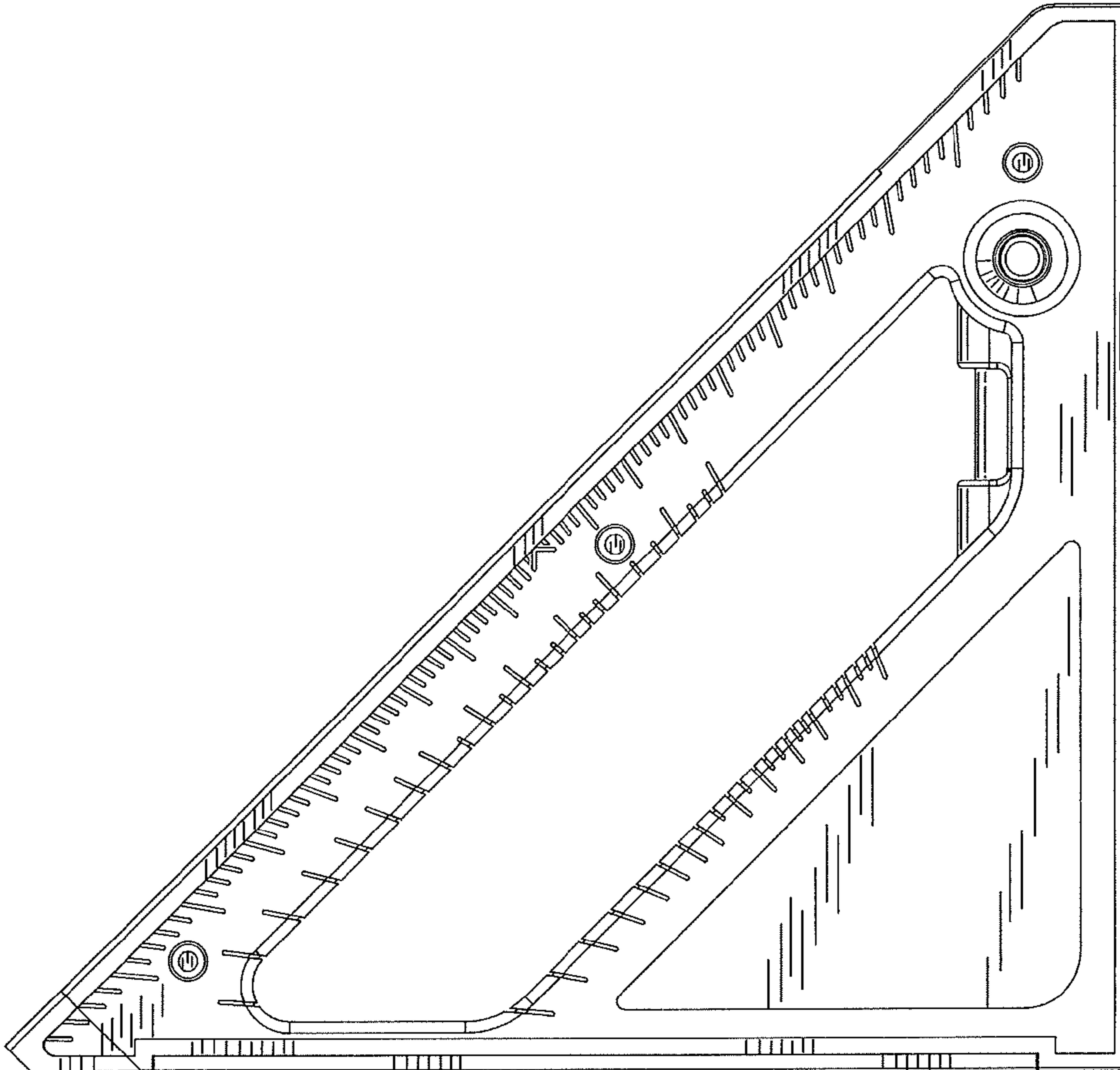


FIG. 14



FIG. 17

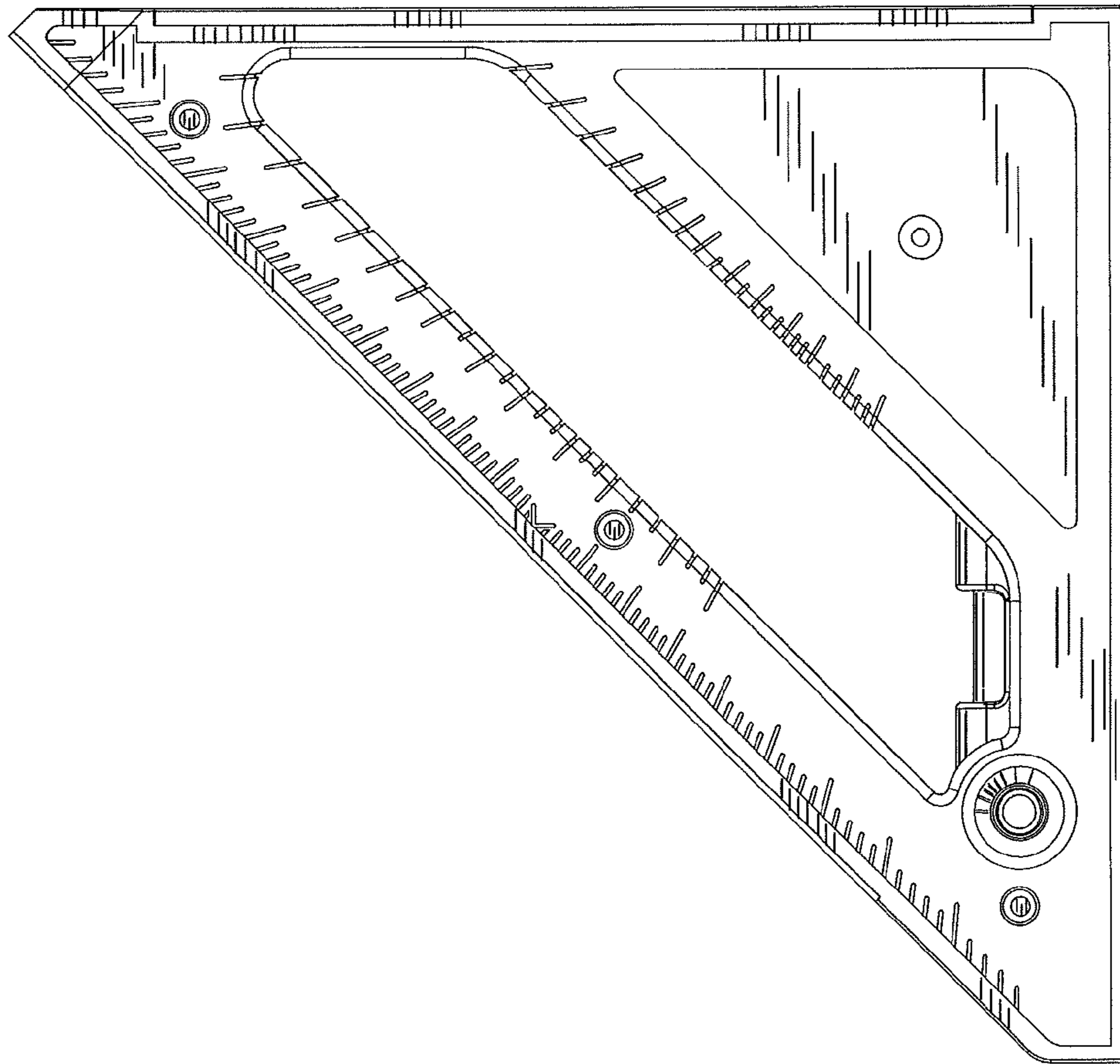


FIG. 16

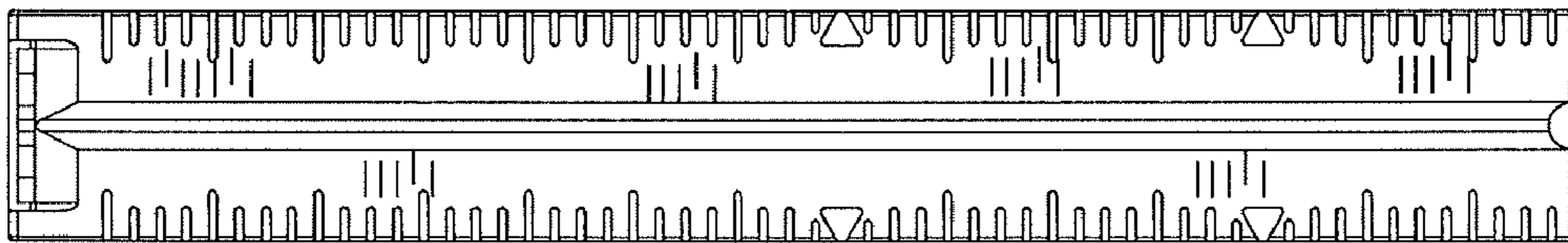


FIG. 19

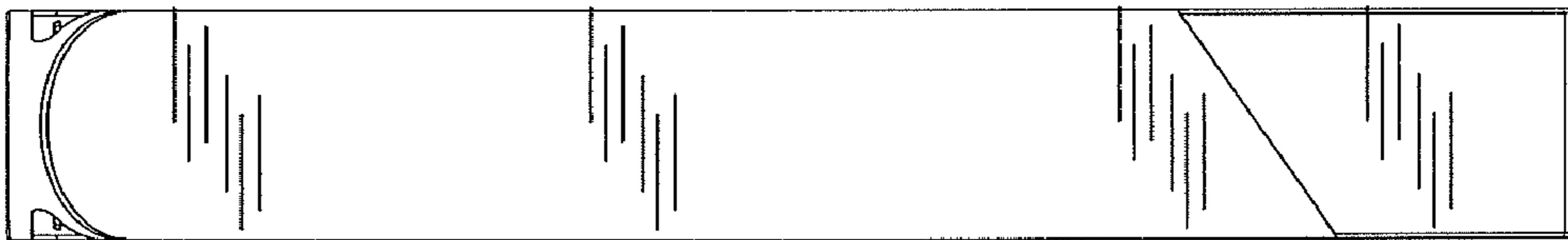


FIG. 18

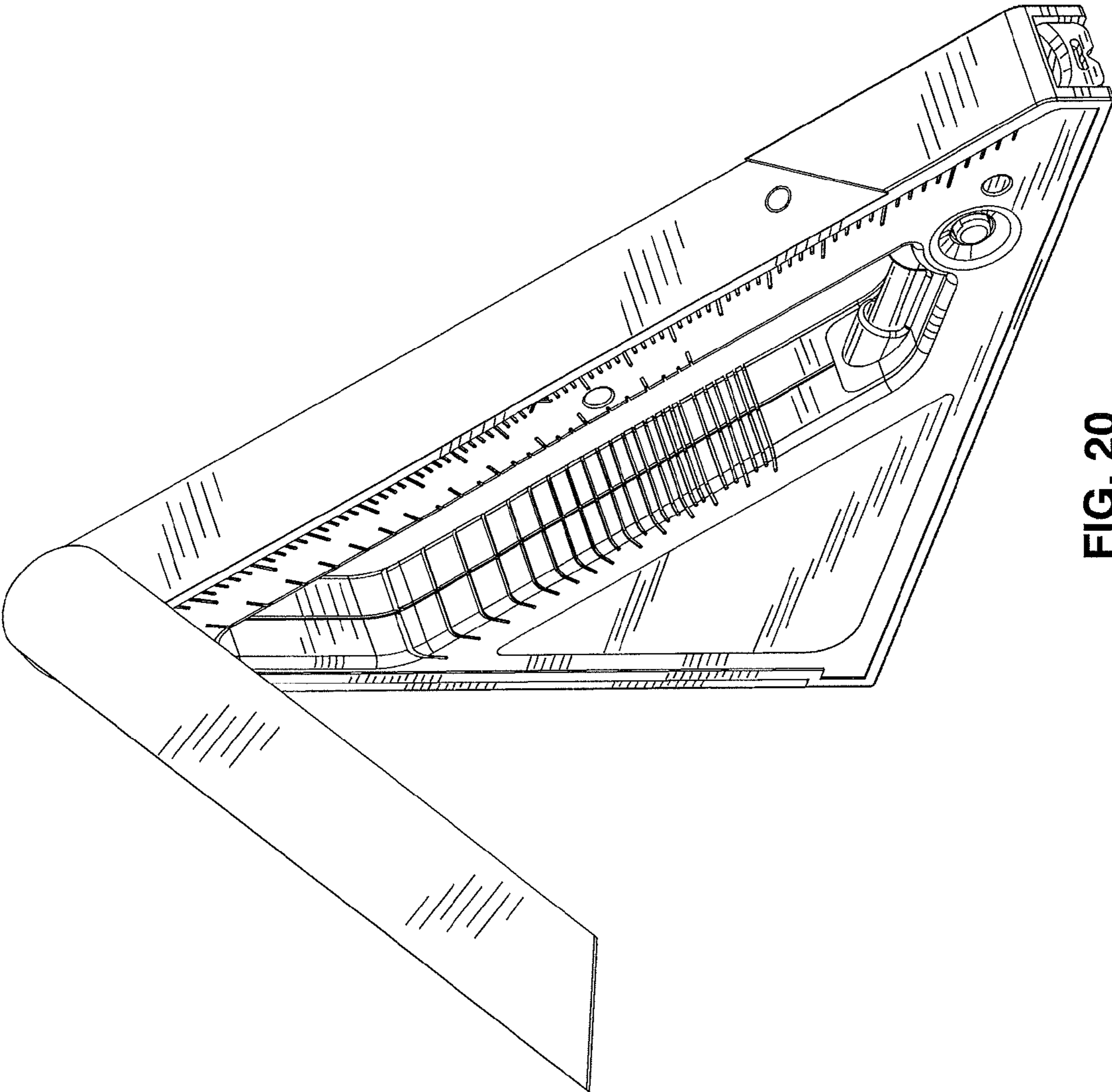


FIG. 20

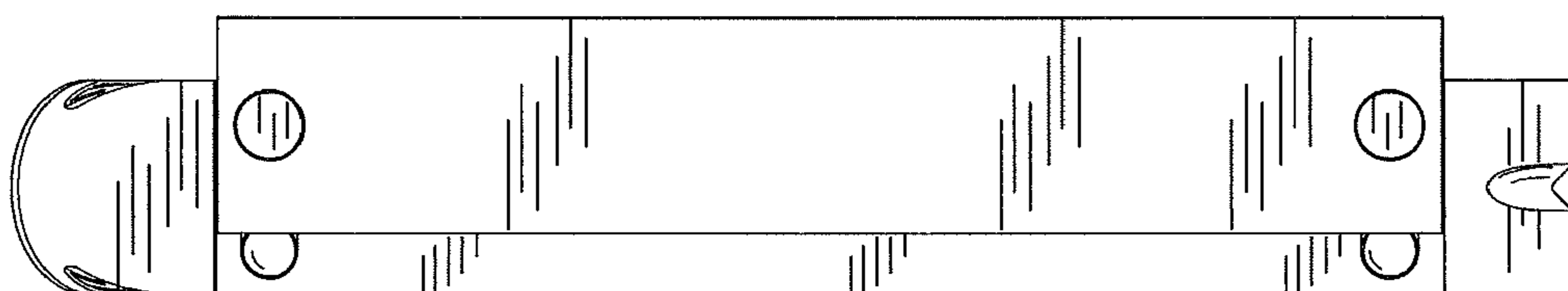


FIG. 21

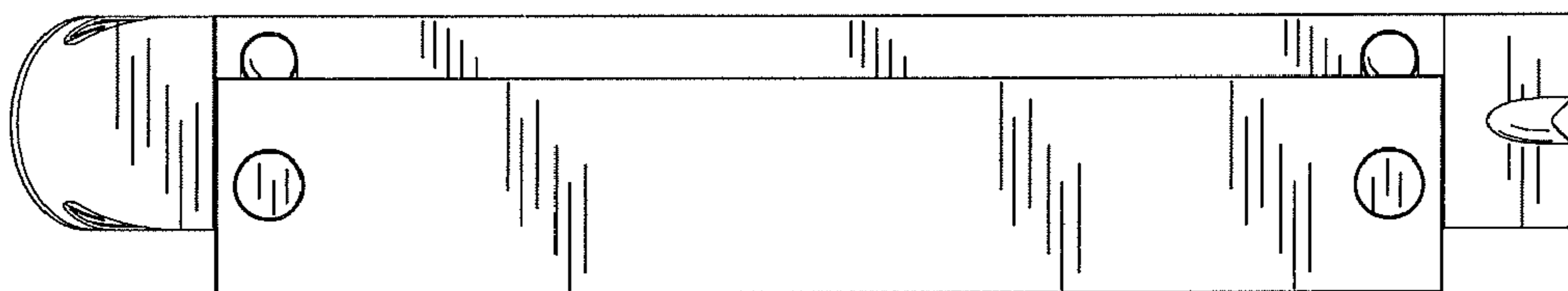


FIG. 22

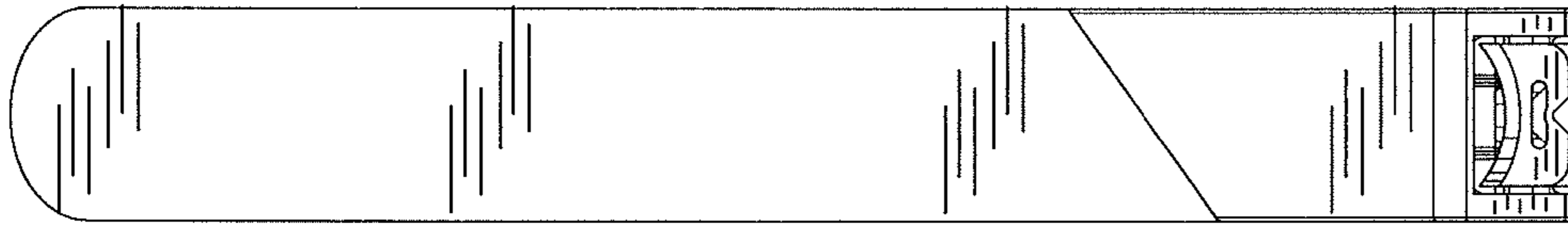


FIG. 24

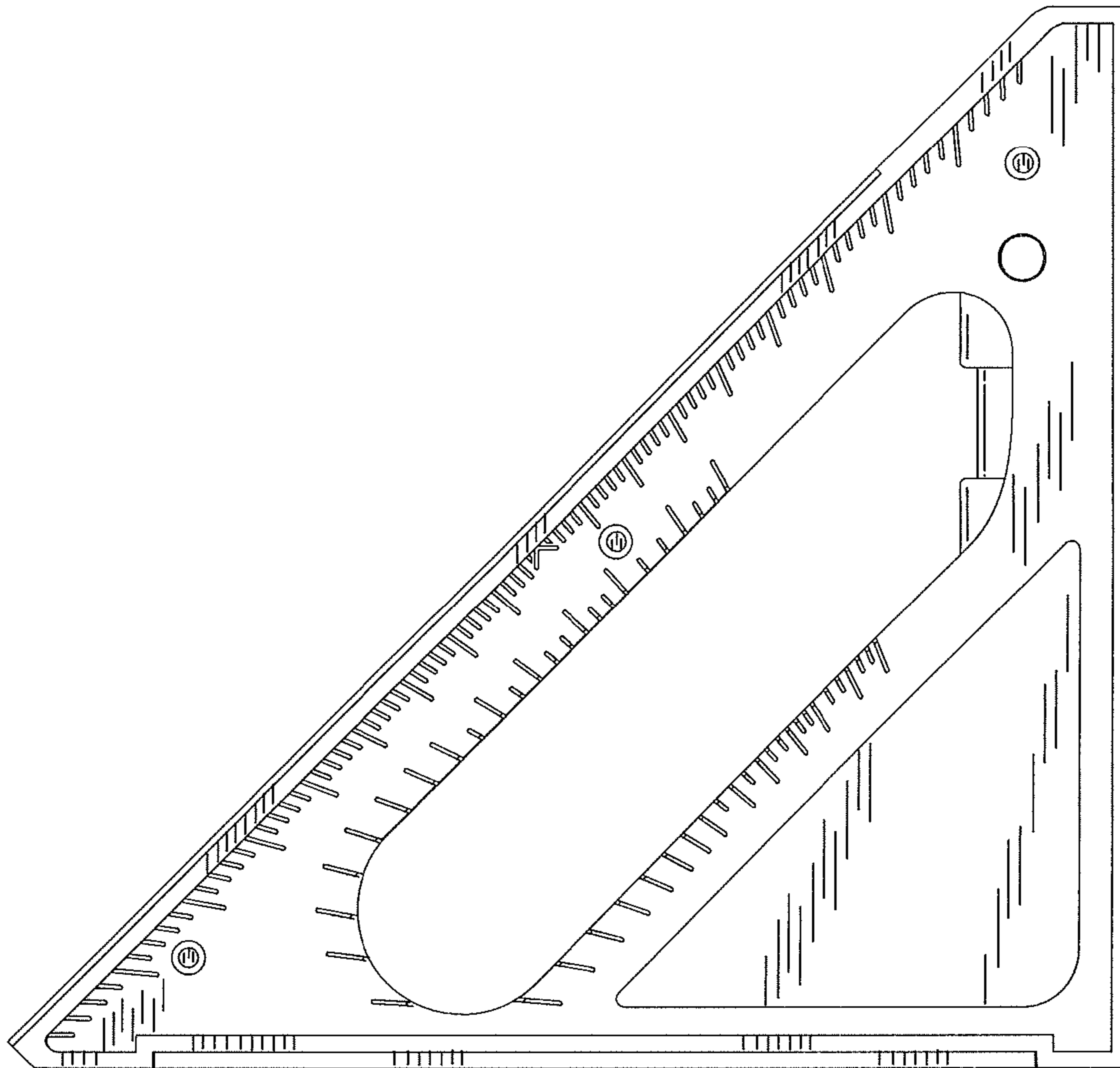


FIG. 23

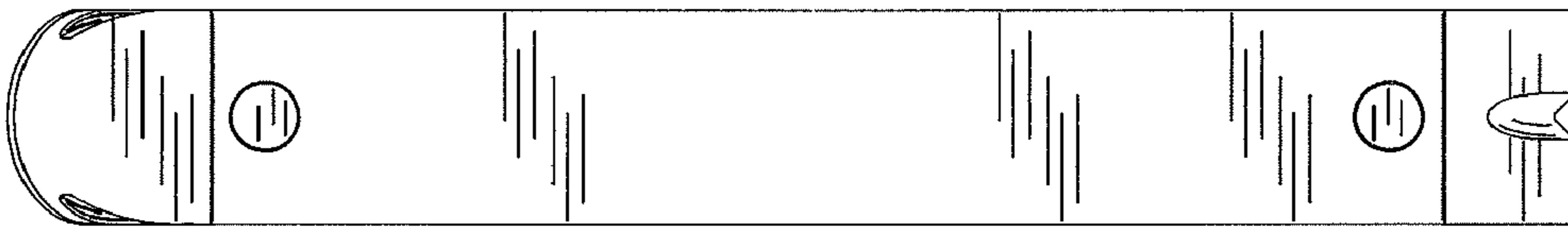


FIG. 26

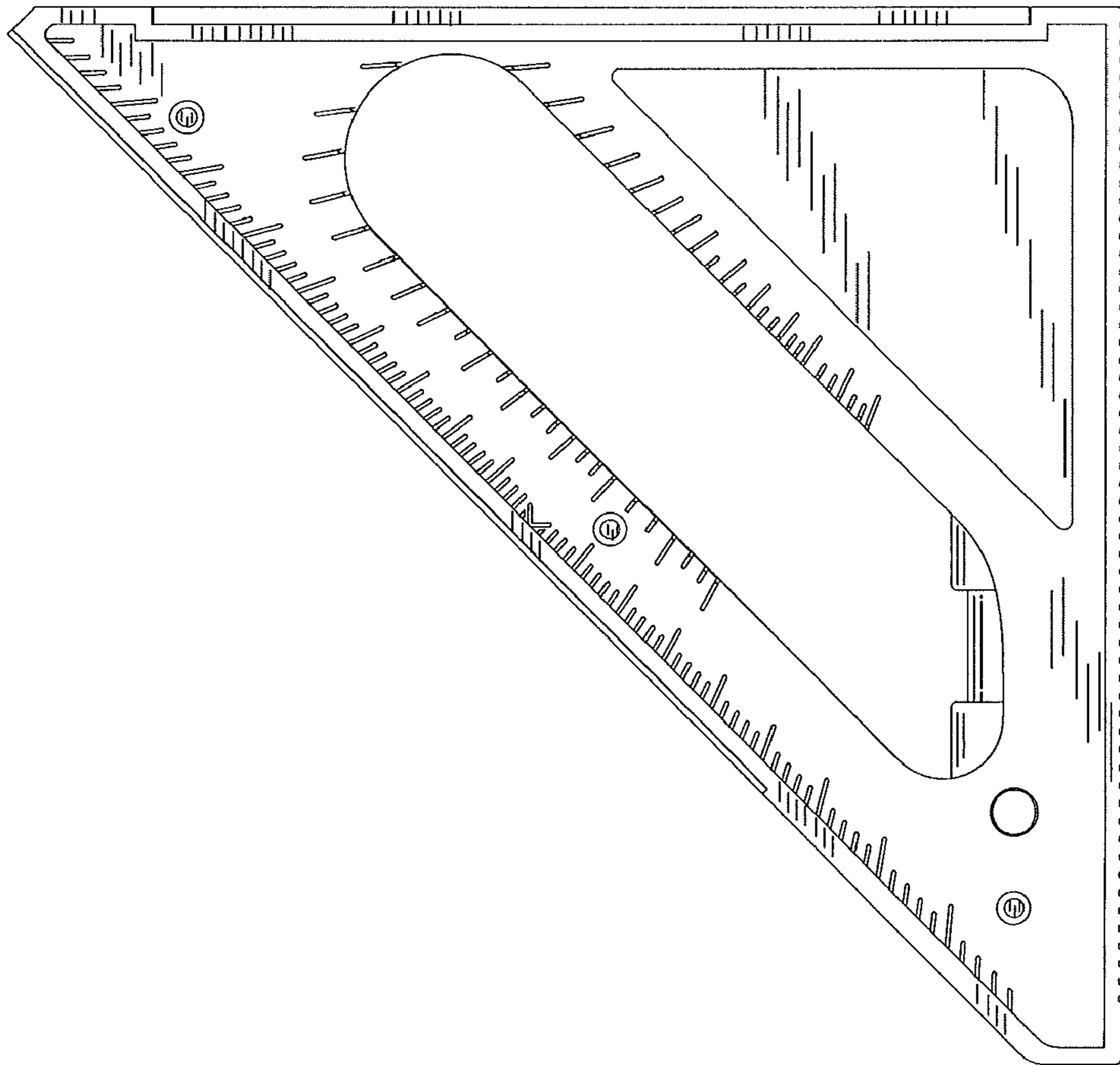


FIG. 25

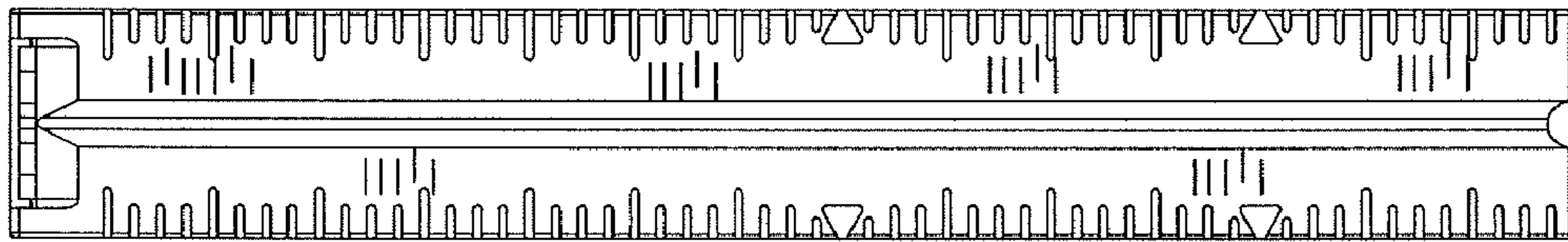


FIG. 28

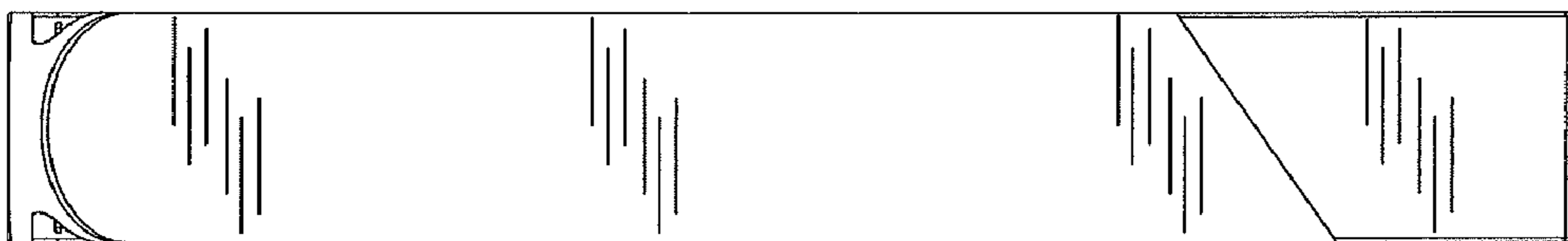


FIG. 27



FIG. 31

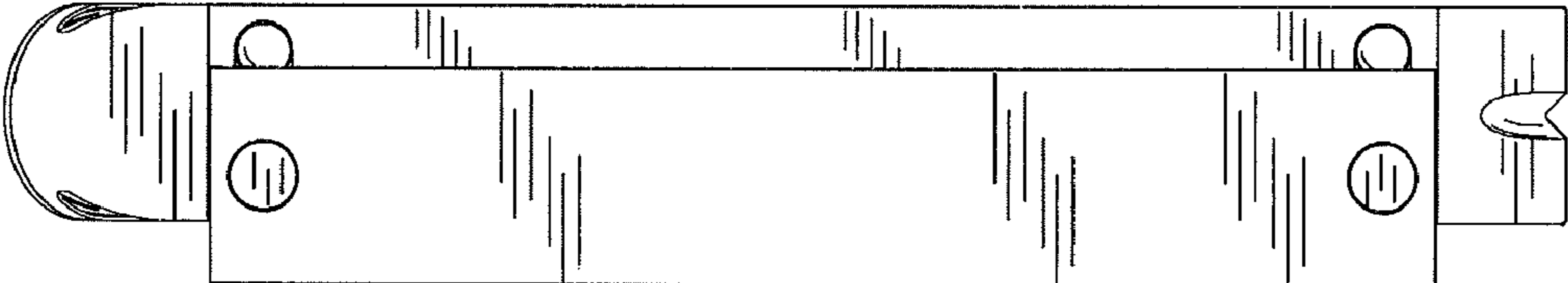


FIG. 30

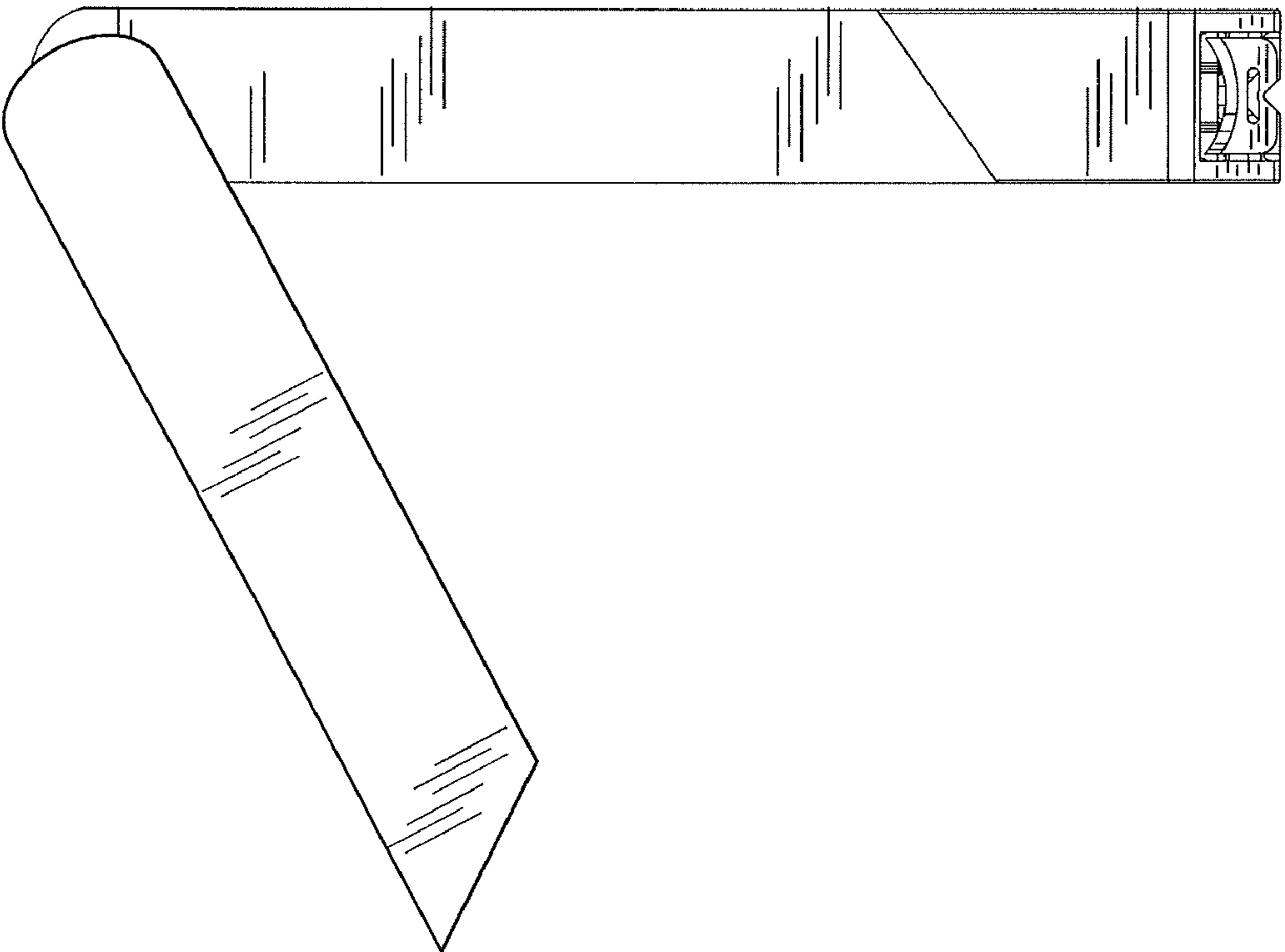


FIG. 29