



US00D659030S

(12) **United States Design Patent**  
**Anselment et al.**

(10) **Patent No.:** **US D659,030 S**  
(45) **Date of Patent:** **\*\* May 8, 2012**

(54) **OPTOELECTRONIC SENSOR**

(75) Inventors: **Christoph Anselment**, Waldkirch (DE);  
**Gabriel Hanselmann**, Wyhl (DE);  
**Frank Detering**, Stuttgart (DE)

(73) Assignee: **Sick AG**, Waldkirch (DE)

(\*\*) Term: **14 Years**

(21) Appl. No.: **29/383,408**

(22) Filed: **Jan. 18, 2011**

(30) **Foreign Application Priority Data**

Jul. 30, 2010 (EM) ..... 001738170

(51) **LOC (9) Cl.** ..... **10-04**

(52) **U.S. Cl.** ..... **D10/46**

(58) **Field of Classification Search** ..... D10/46;  
235/216, 454, 470; 250/214 R, 221, 222.1,  
250/277.25; 257/81, 432-433; 375/E1.001;  
395/140

See application file for complete search history.

(56) **References Cited**

**U.S. PATENT DOCUMENTS**

D531,525 S \* 11/2006 Dold et al. .... D10/46

\* cited by examiner

*Primary Examiner* — Antoine D Davis

(74) *Attorney, Agent, or Firm* — The Nath Law Group;  
Jerald L. Meyer; Robert T. Burns

(57) **CLAIM**

We claim the ornamental design for the optoelectronic sensor, as shown and described.

**DESCRIPTION**

FIG. 1 is a perspective view of a first embodiment of the optoelectronic sensor;

FIG. 2 is a front view of a first embodiment of the optoelectronic sensor;

FIG. 3 is a back view of a first embodiment of the optoelectronic sensor;

FIG. 4 is a right view of a first embodiment of the optoelectronic sensor;

FIG. 5 is a left view of a first embodiment of the optoelectronic sensor;

FIG. 6 is a top view of a first embodiment of the optoelectronic sensor;

FIG. 7 is a bottom view of a first embodiment of the optoelectronic sensor;

FIG. 8 is a perspective view of a second embodiment of the optoelectronic sensor;

FIG. 9 is a front view of a second embodiment of the optoelectronic sensor;

FIG. 10 is a back view of a second embodiment of the optoelectronic sensor;

FIG. 11 is a right view of a second embodiment of the optoelectronic sensor;

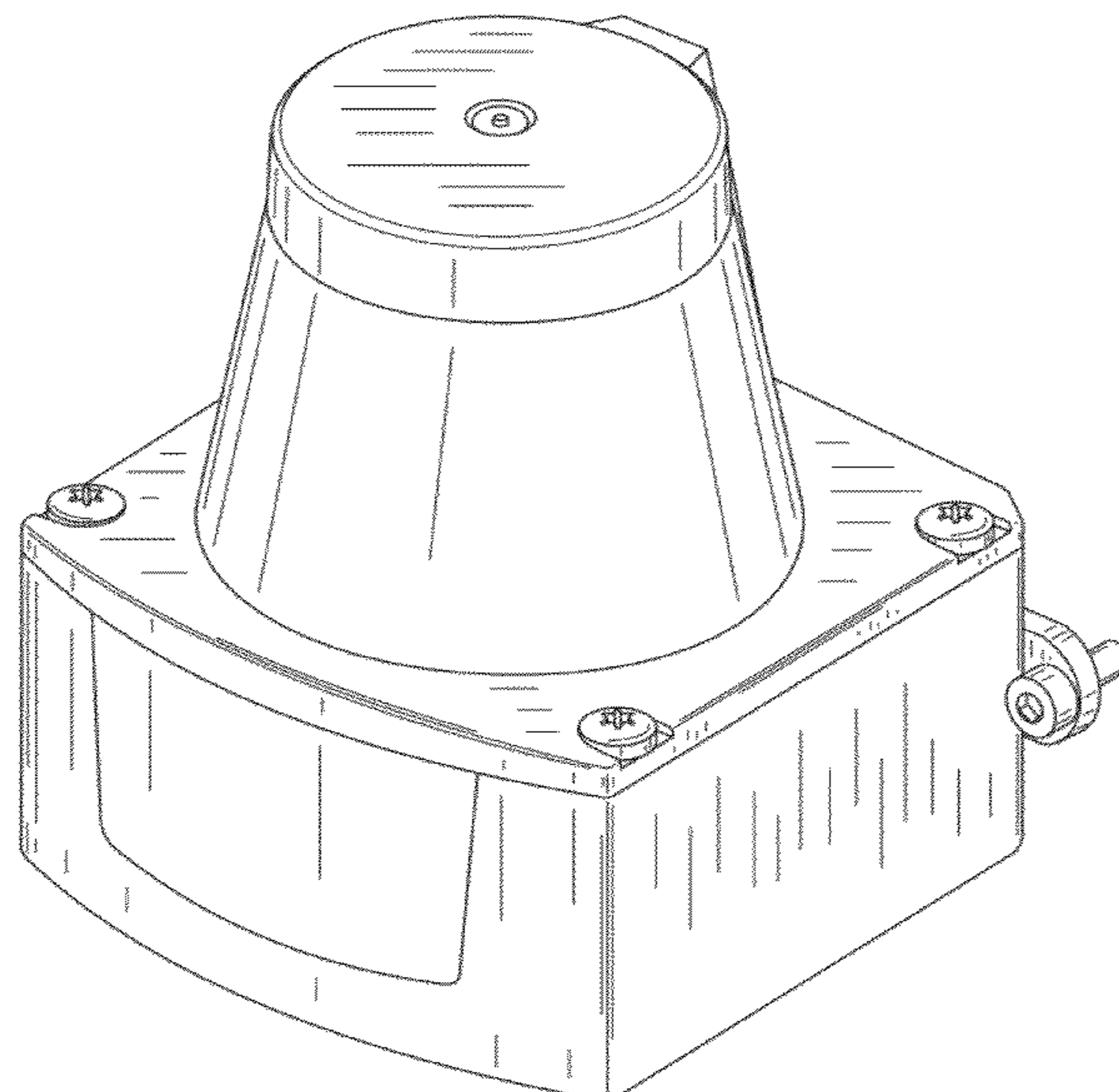
FIG. 12 is a left view of a second embodiment of the optoelectronic sensor;

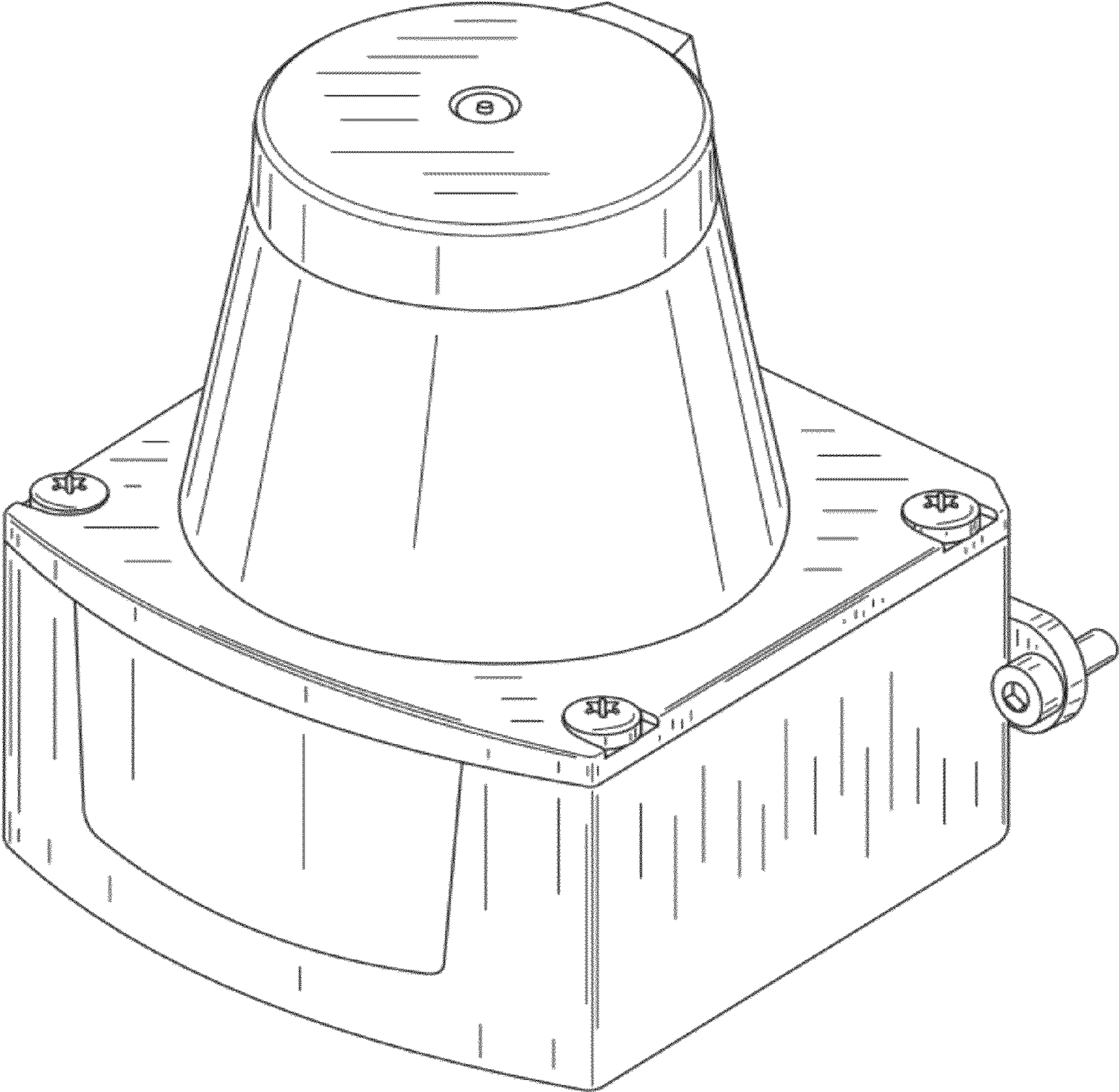
FIG. 13 is a top view of a second embodiment of the optoelectronic sensor; and,

FIG. 14 is a bottom view of a second embodiment of the optoelectronic sensor.

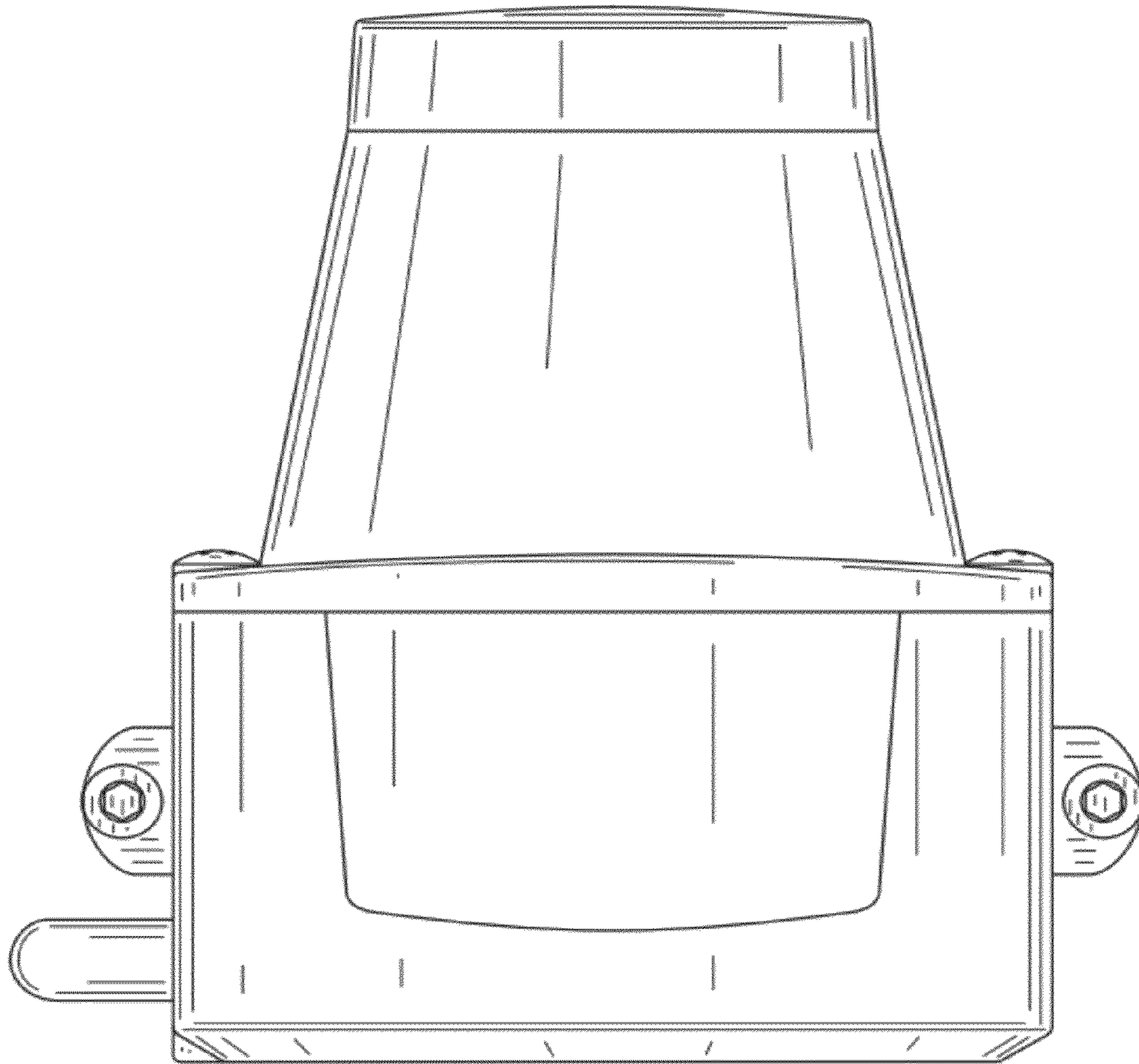
The broken line showing of structural features is included for the purpose of illustrating non-claimed subject matter and forms no part of the claimed design.

**1 Claim, 14 Drawing Sheets**

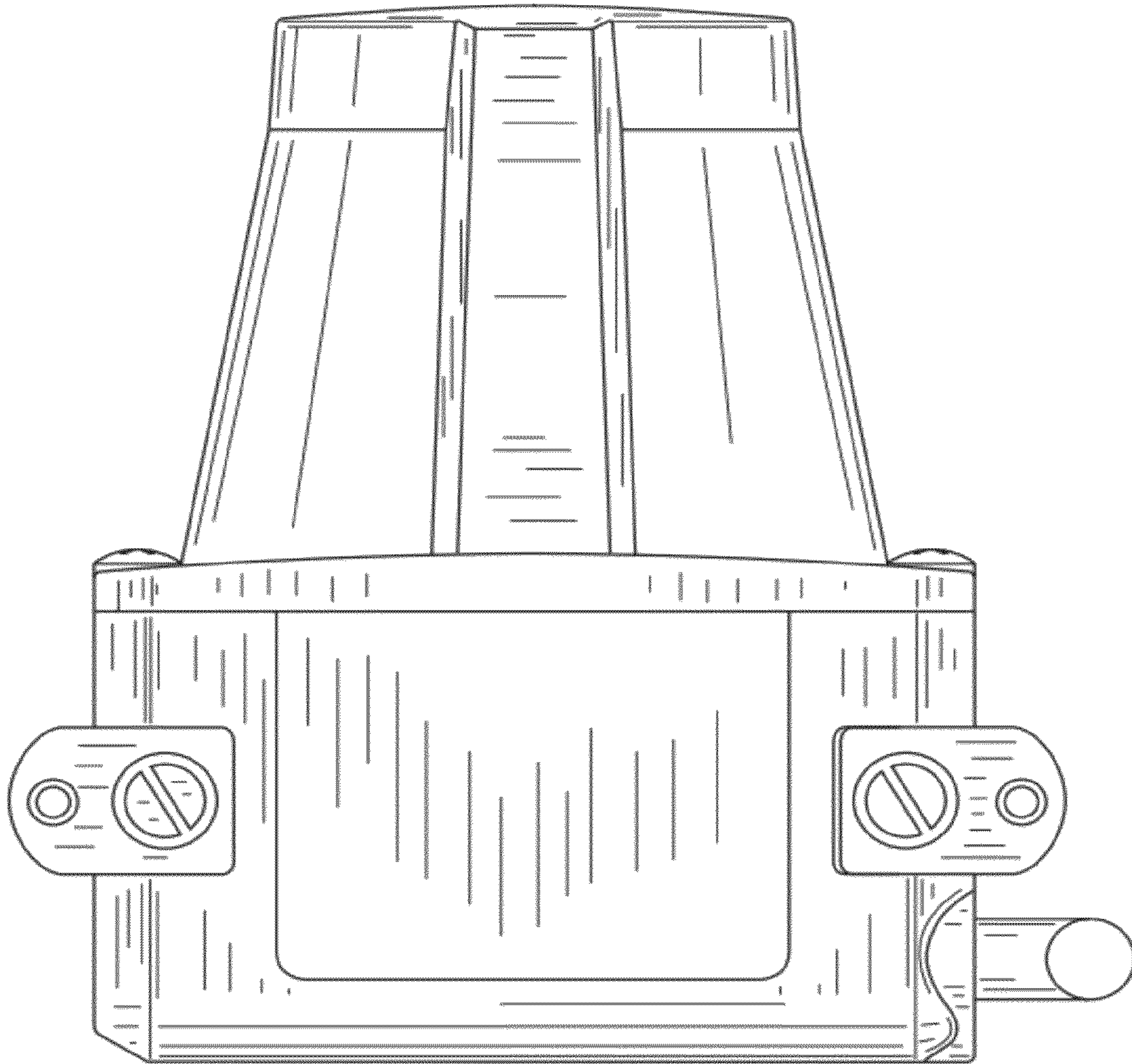




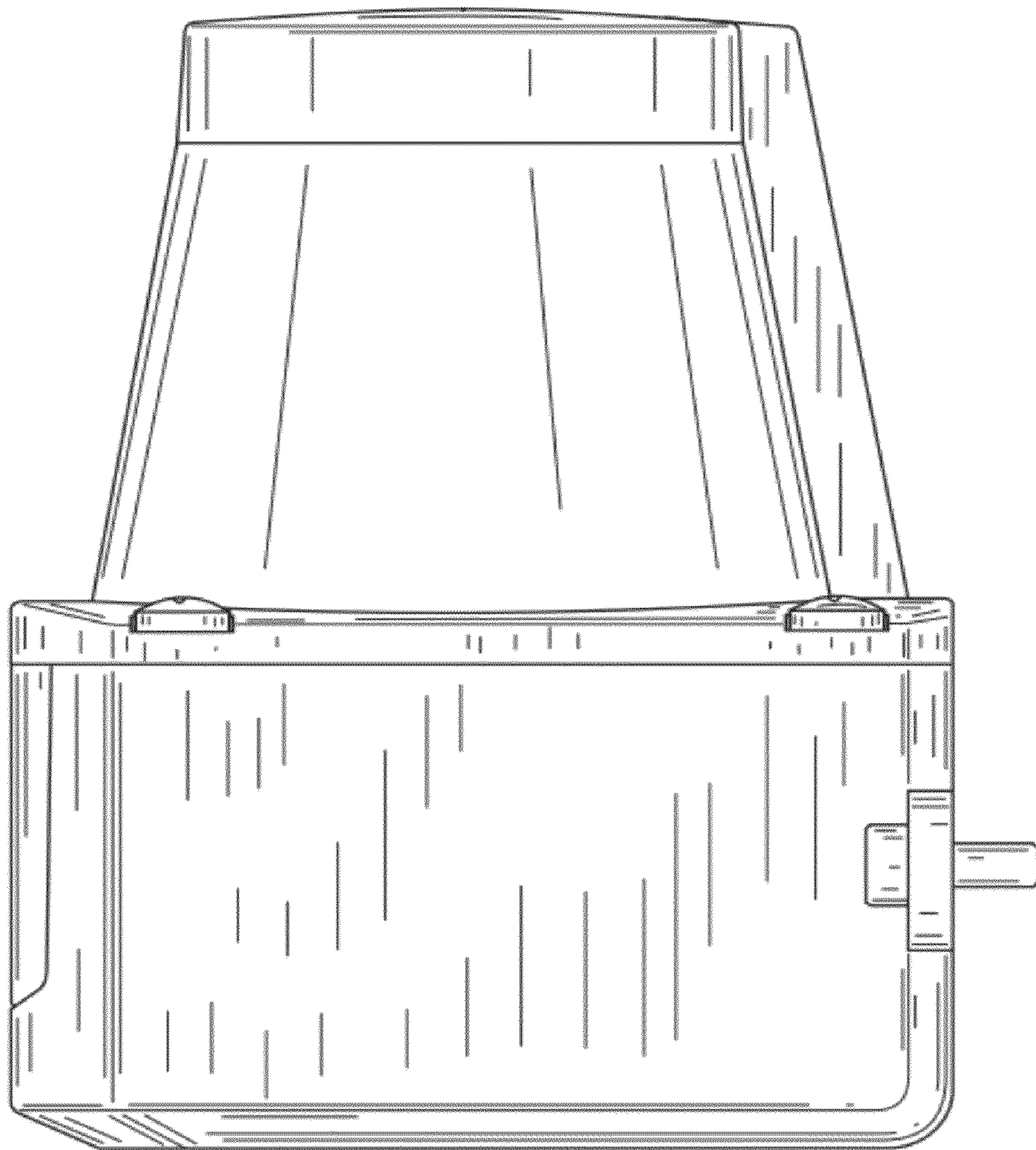
**FIG. 1**



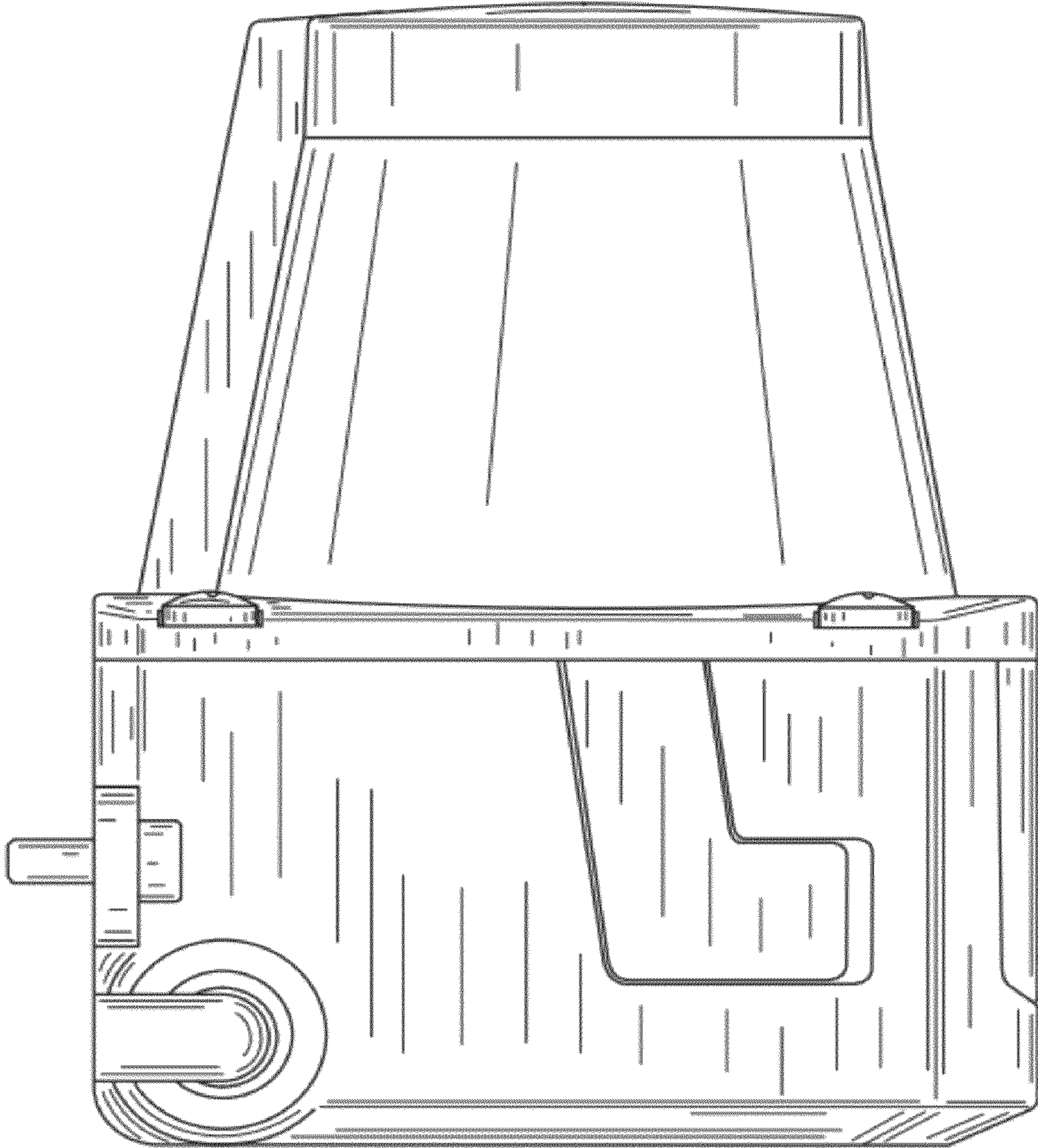
**FIG. 2**



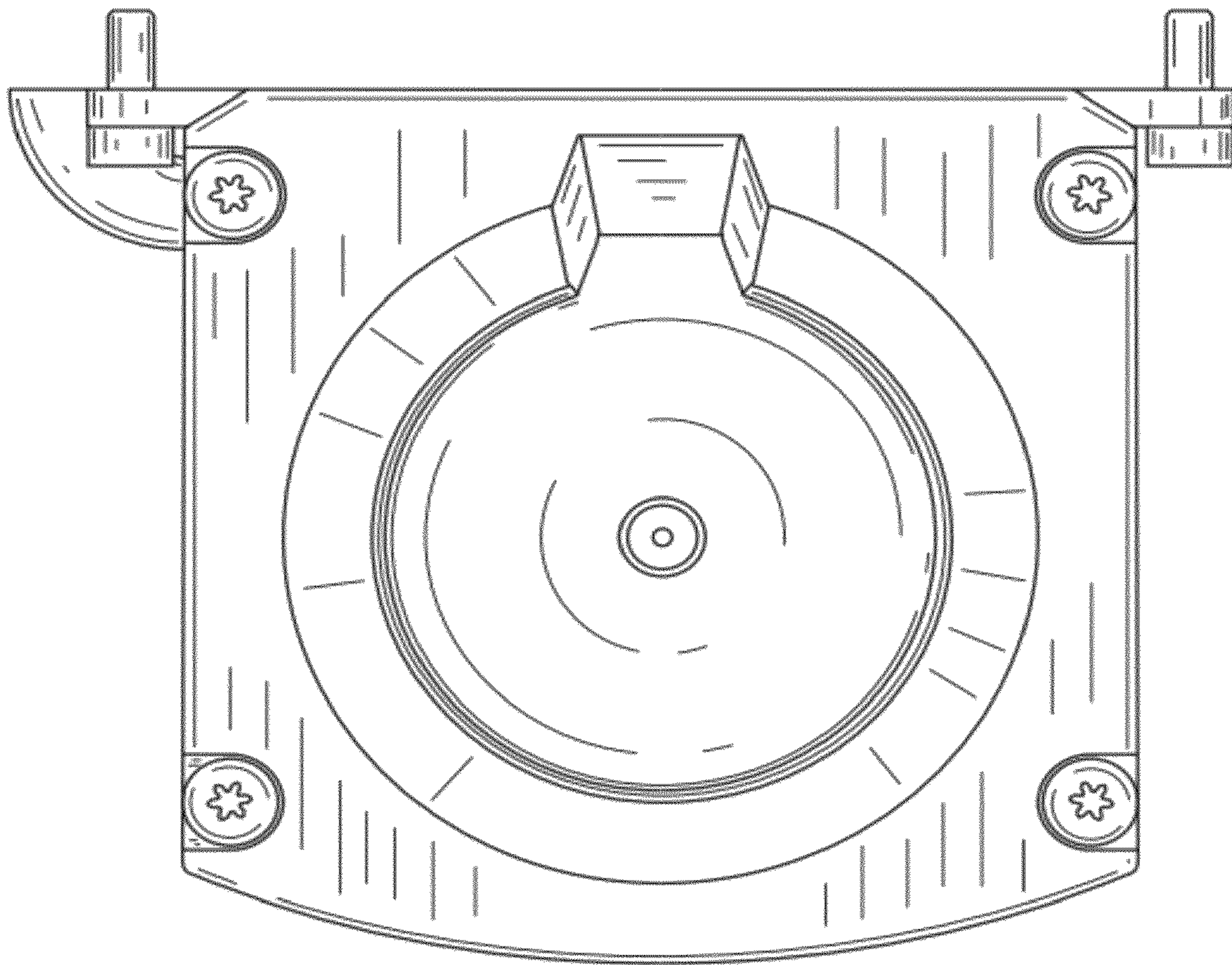
**FIG. 3**



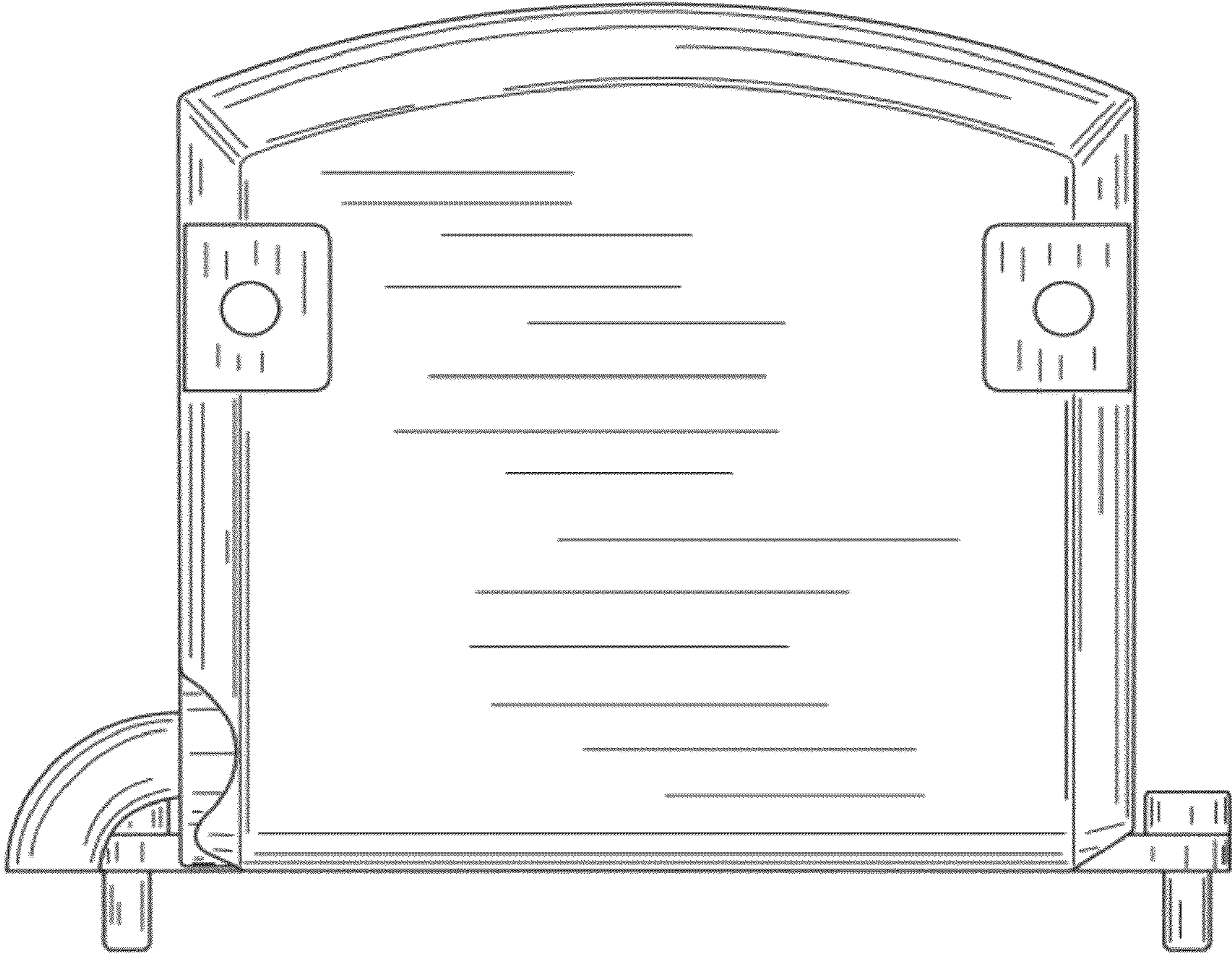
**FIG. 4**



**FIG. 5**

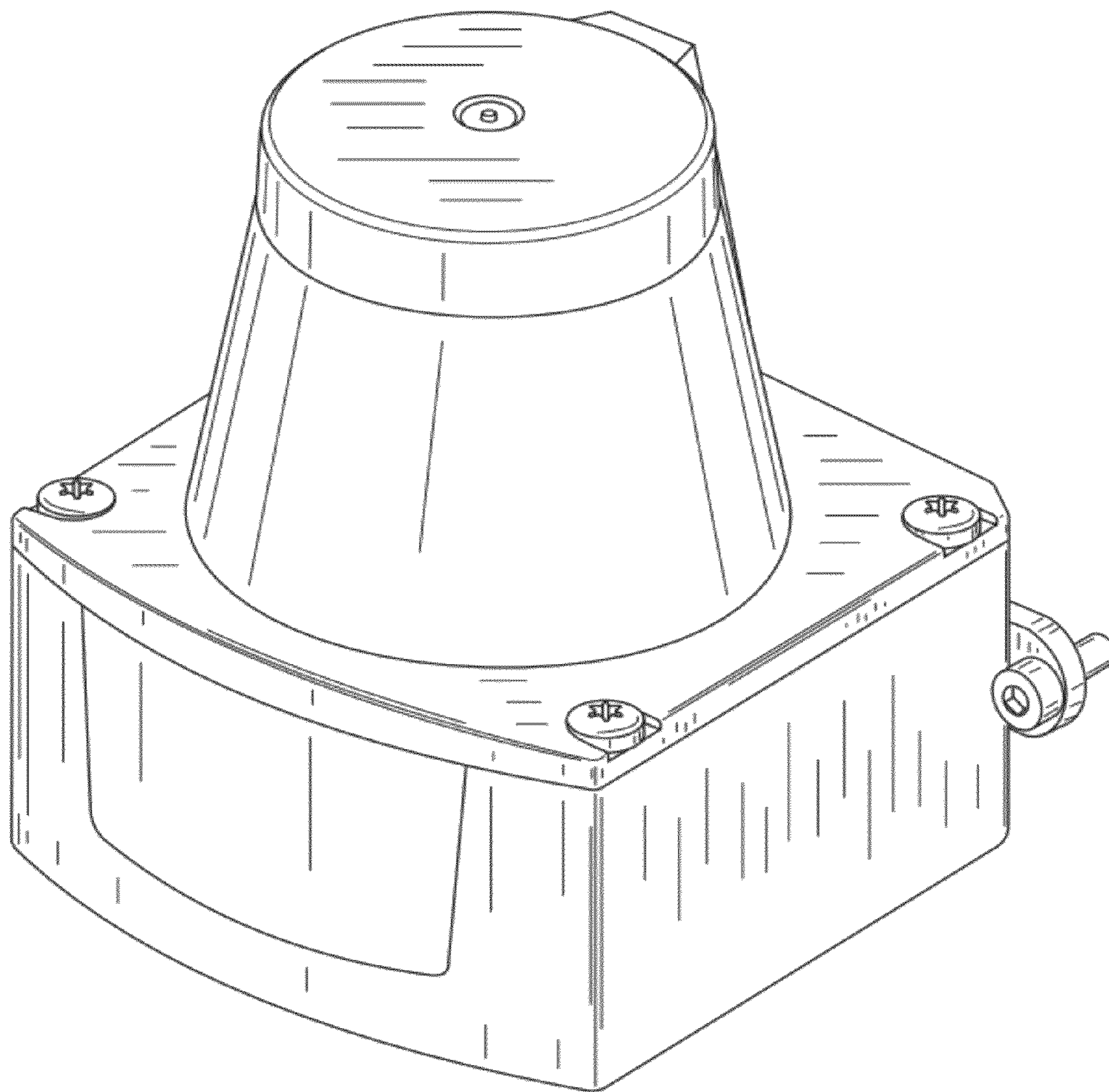


**FIG. 6**

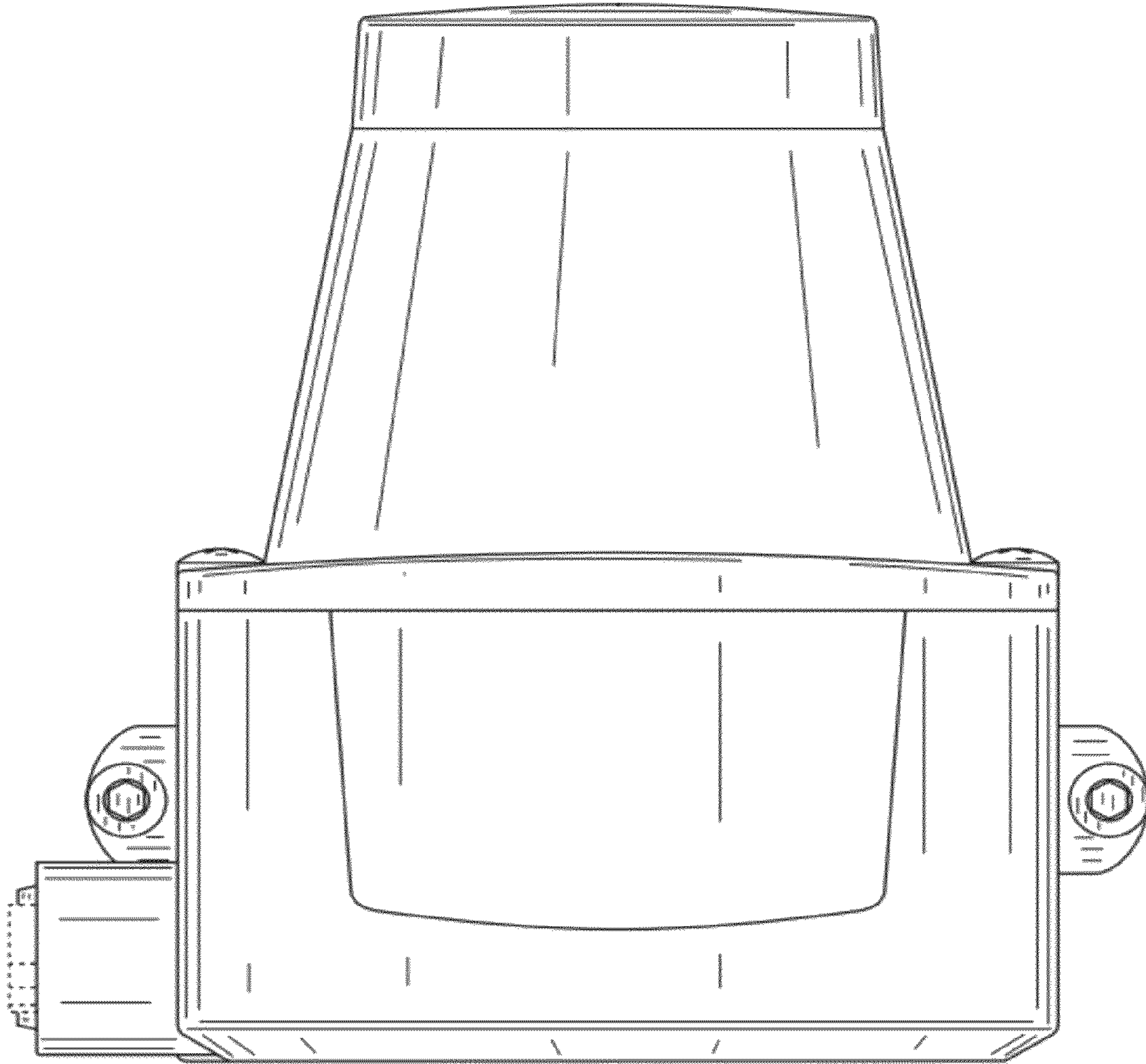


**FIG. 7**

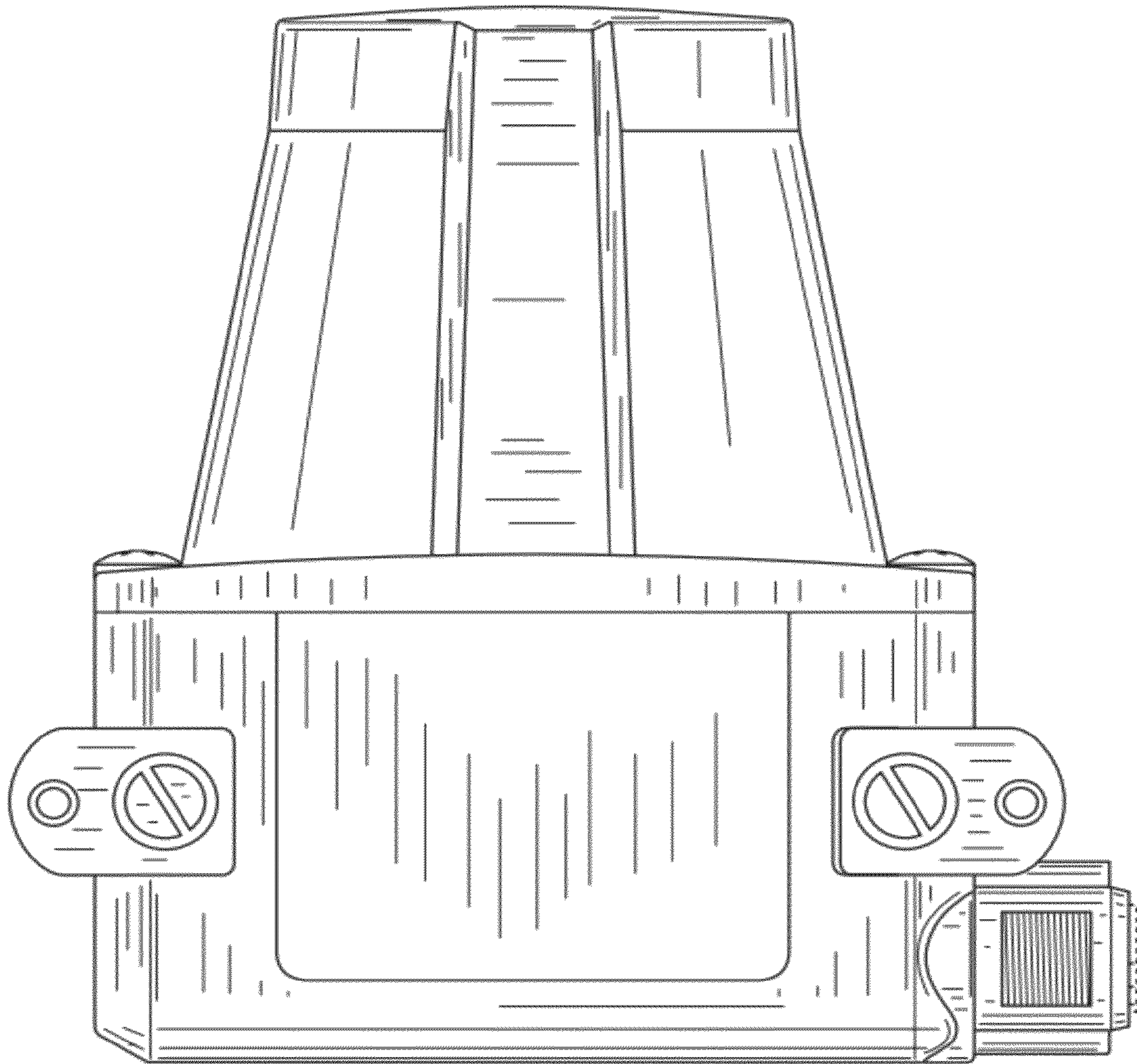




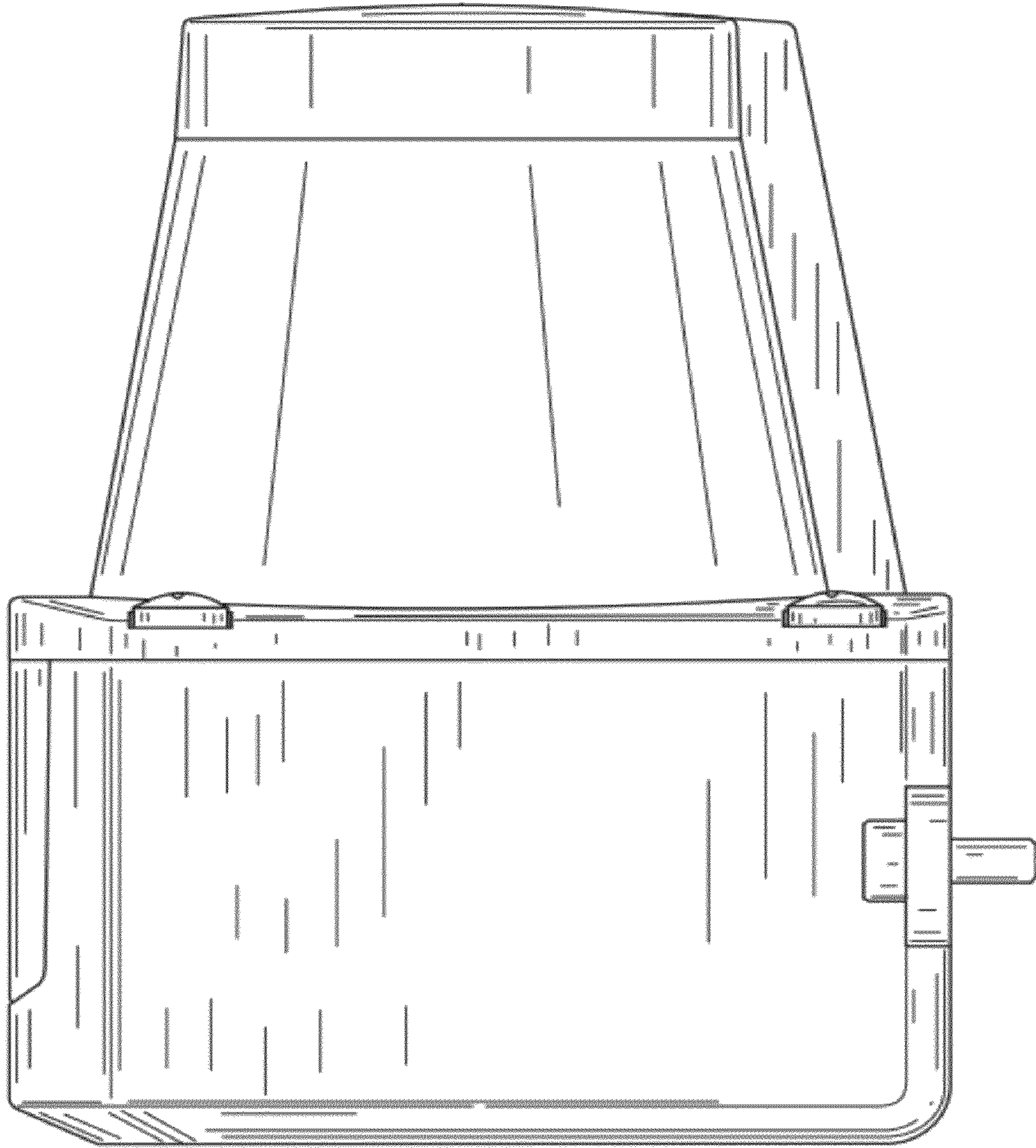
**FIG. 8**



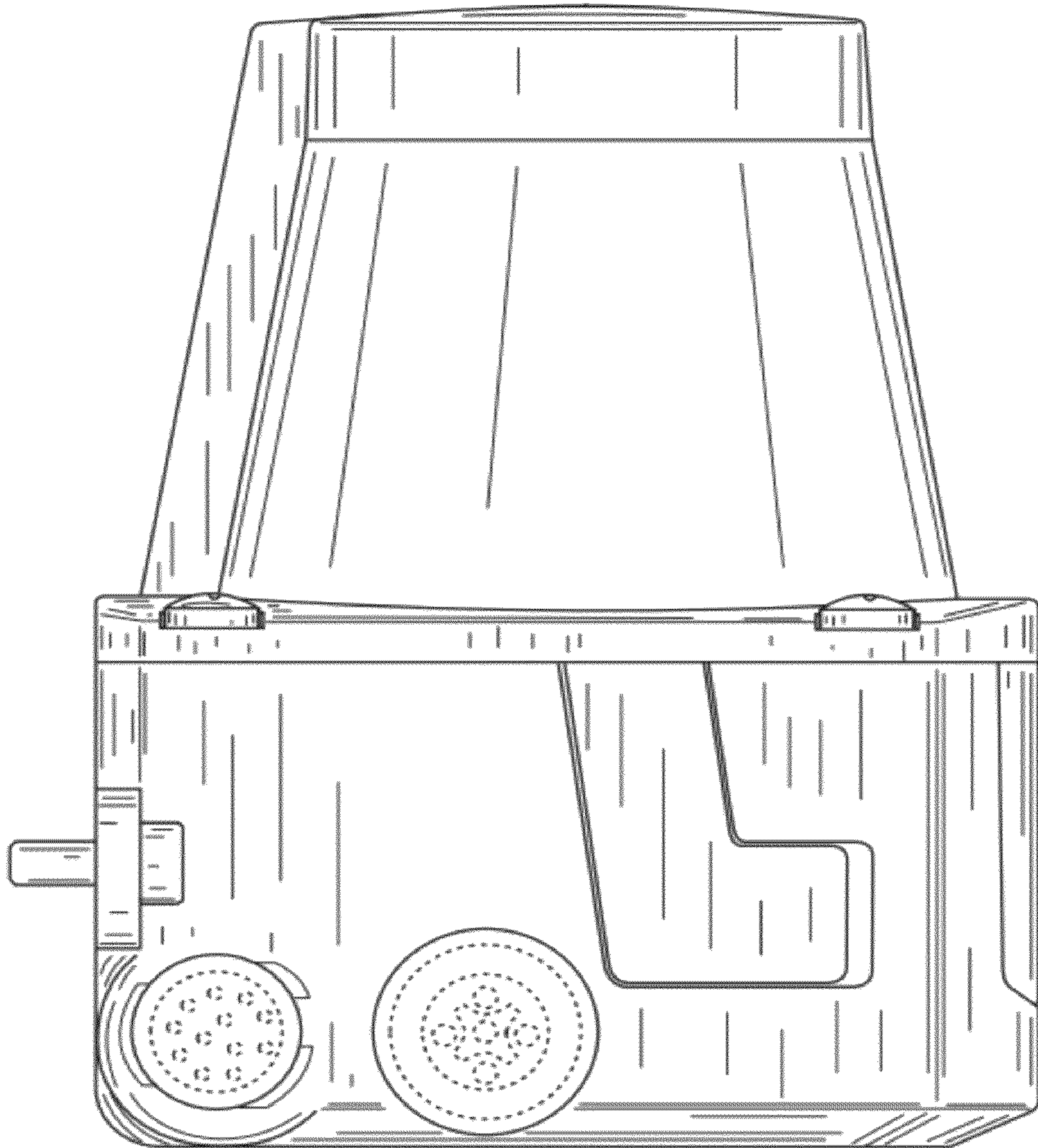
**FIG. 9**



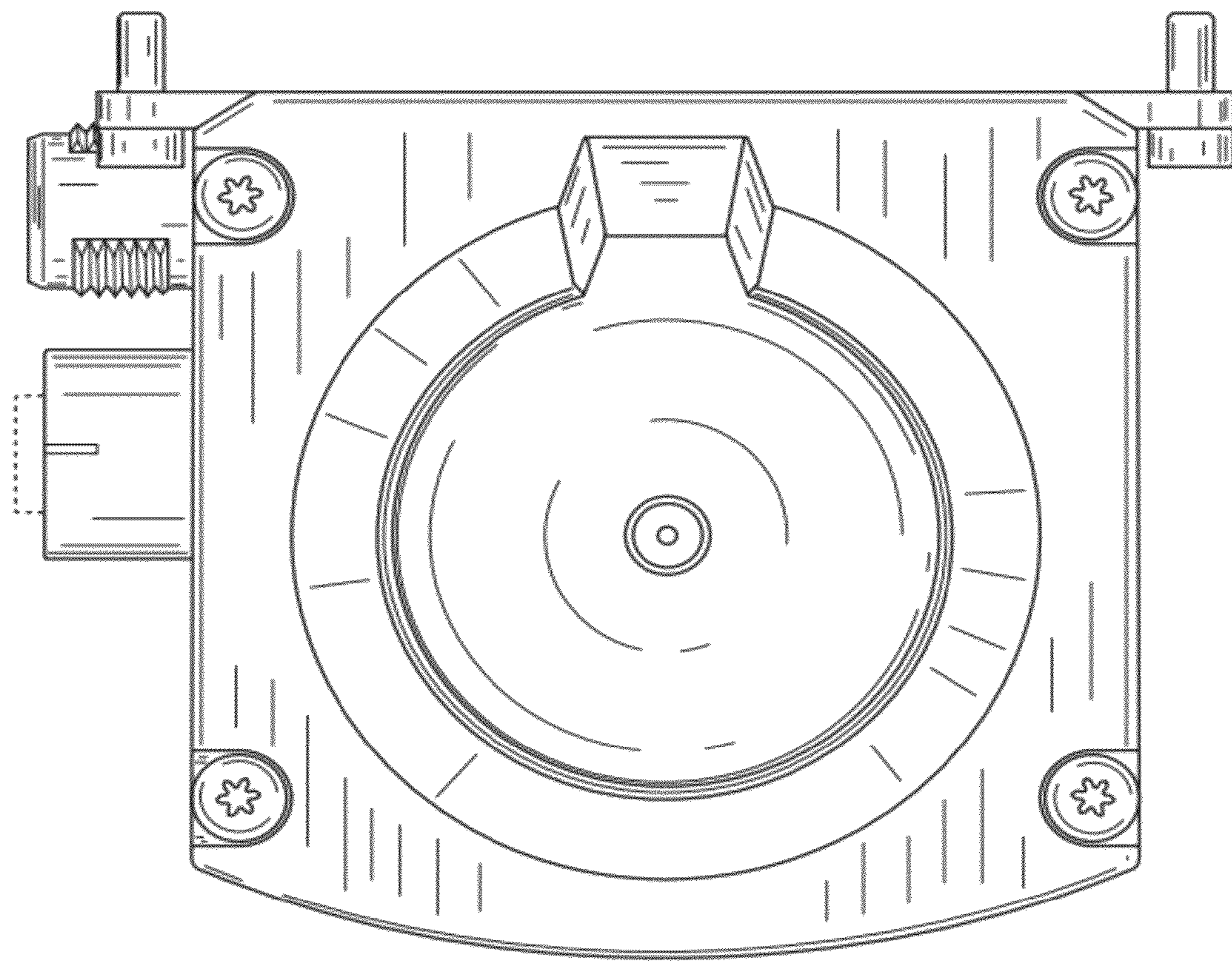
**FIG. 10**



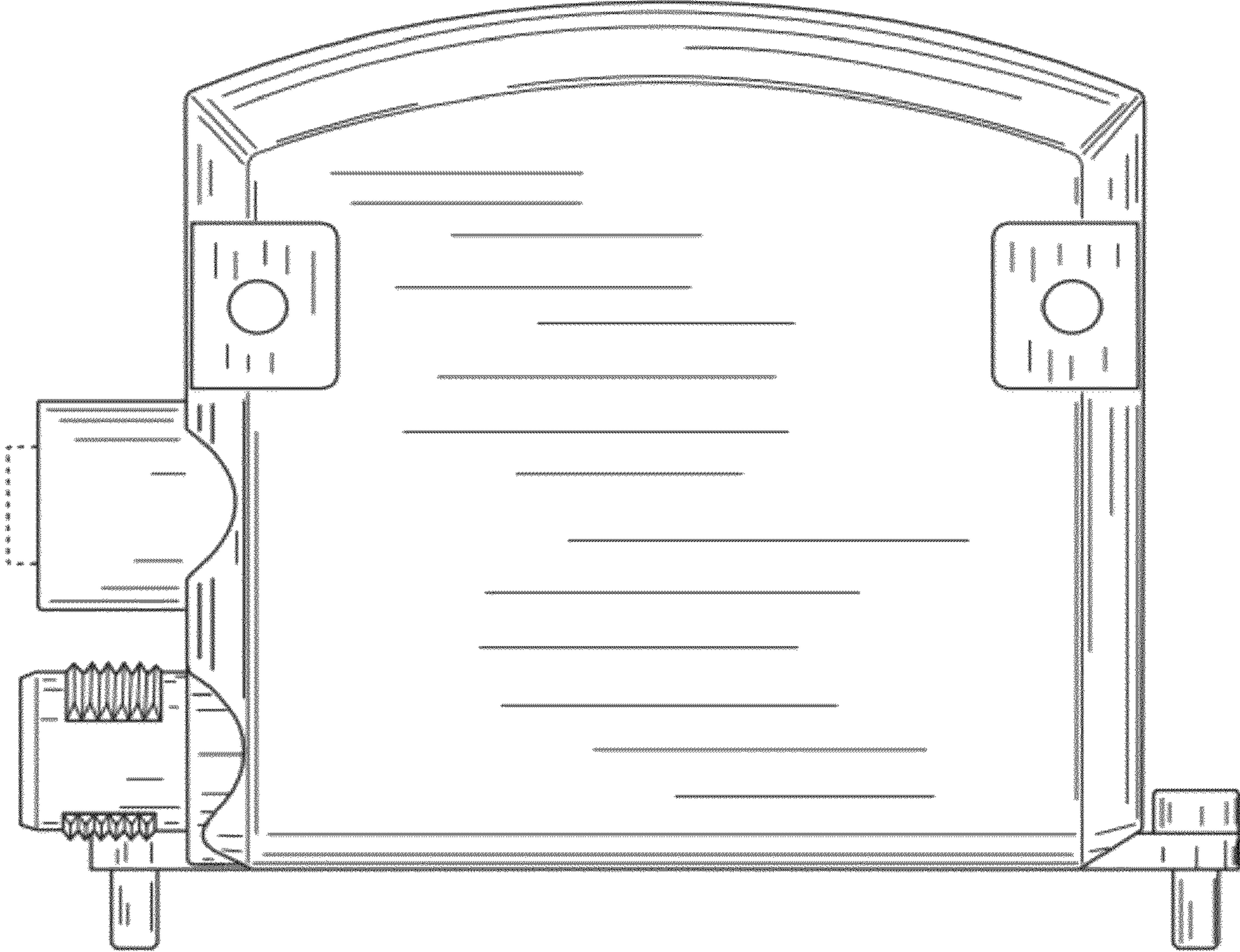
**FIG. 11**



**FIG. 12**



**FIG. 13**



**FIG. 14**