



US00D659029S

(12) **United States Design Patent**
Connolly et al.

(10) **Patent No.:** **US D659,029 S**

(45) **Date of Patent:** **** May 8, 2012**

- (54) **USER INTERFACE FOR A TIMER**
- (75) Inventors: **Karl L. Connolly**, Brigham City, UT (US); **Chadwick L. Wilson**, Woods Cross, UT (US)
- (73) Assignee: **Orbit Irrigation Products, Inc.**, North Salt Lake, UT (US)
- (**) Term: **14 Years**

7,252,113	B2 *	8/2007	Jacobs et al.	137/624.11
D559,708	S *	1/2008	Michael et al.	D10/40
D567,680	S *	4/2008	Michael et al.	D10/40
D567,681	S *	4/2008	Michael et al.	D10/40
7,810,515	B2 *	10/2010	Nies et al.	137/78.3
D630,952	S *	1/2011	Nies et al.	D10/40
D636,278	S *	4/2011	Franchini	D10/40
D642,077	S *	7/2011	Nies et al.	D10/40
D643,316	S *	8/2011	Nies et al.	D10/40
D643,755	S *	8/2011	Nies et al.	D10/40
D647,411	S *	10/2011	Barton et al.	D10/40

- (21) Appl. No.: **29/396,541**
- (22) Filed: **Jun. 30, 2011**
- (51) **LOC (9) Cl.** **10-03**
- (52) **U.S. Cl.** **D10/40; D10/122**
- (58) **Field of Classification Search** D10/40, D10/49, 50, 102, 122, 123, 125; 239/68, 239/69, 70; 137/624.11, 624.12, 624.21, 137/624.22, 624.18; D23/245; D14/218
See application file for complete search history.

OTHER PUBLICATIONS

Orbit Irrigation Products, Inc. (The products shown in Attachment A hereto were sold or offered for sale on or before Nov. 2008.).

* cited by examiner

Primary Examiner — Lucy Lieberman
(74) *Attorney, Agent, or Firm* — Austin Rapp & Hardman

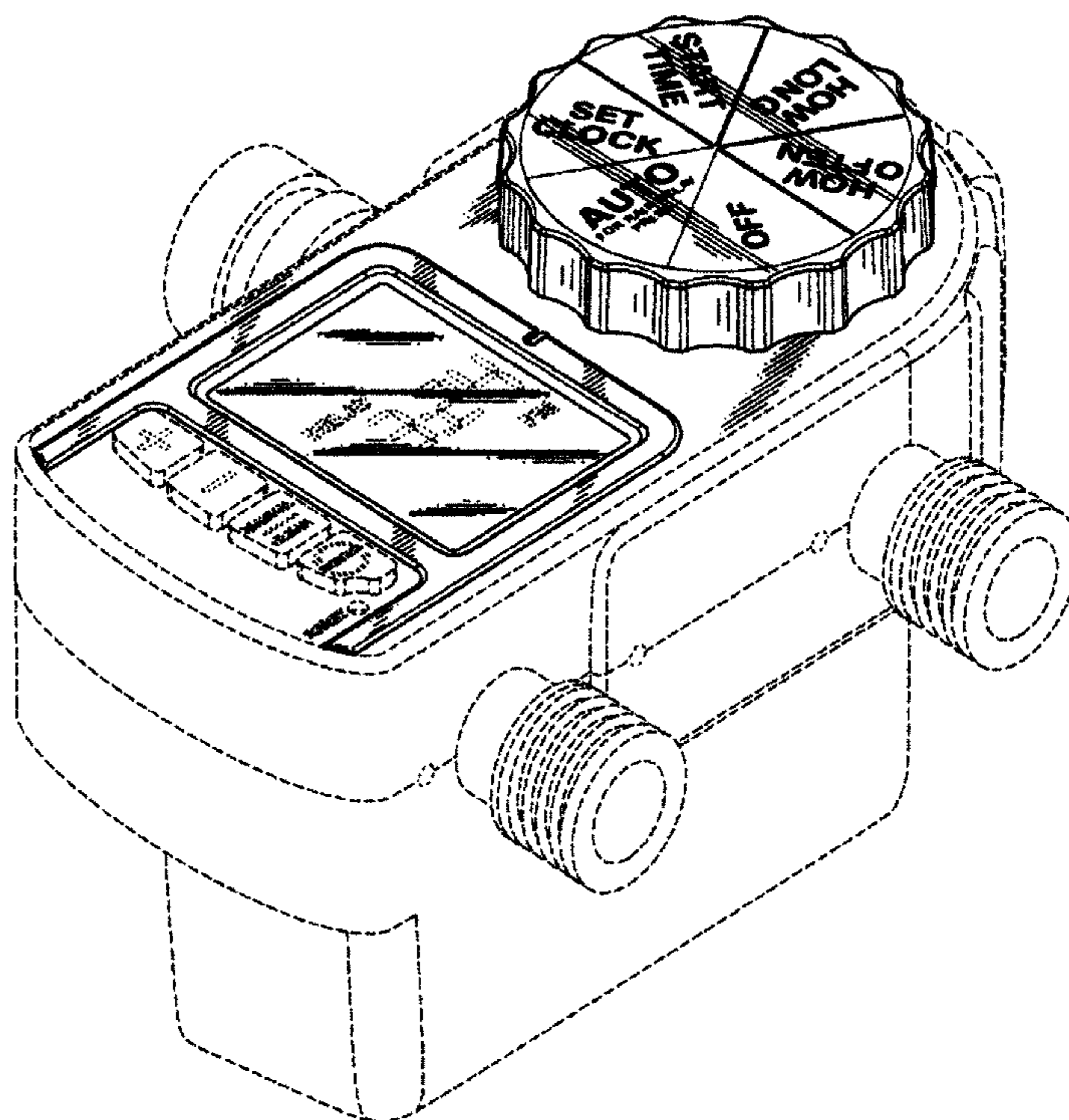
(57) **CLAIM**
The ornamental design for a user interface for a timer, as shown and described.

- (56) **References Cited**
- U.S. PATENT DOCUMENTS**
- 4,633,905 A * 1/1987 Wang 137/624.11
- 4,807,664 A * 2/1989 Wilson et al. 137/624.11
- D304,224 S * 10/1989 Wilson et al. D23/245
- D365,771 S * 1/1996 Clivio D10/96
- D377,316 S * 1/1997 Roman et al. D10/40
- 5,826,619 A * 10/1998 Roman 137/624.11
- D430,044 S * 8/2000 Clivio D10/40
- D431,195 S * 9/2000 Clivio D10/40
- D467,187 S * 12/2002 Clivio D10/40
- D485,502 S * 1/2004 Clivio D10/40
- 6,986,364 B1 * 1/2006 Wang 137/624.11

DESCRIPTION

FIG. 1 is a perspective view of a user interface for a timer, according to our new design;
FIG. 2 is a front view of the user interface for a timer;
FIG. 3 is a first side view of the user interface for a timer;
FIG. 4 is a top view of the user interface for a timer;
FIG. 5 is a bottom view of the user interface for a timer; and,
FIG. 6 is a second side view of the user interface for a timer.
The portions in broken lines show environmental structure only and form no part of the claimed design.

1 Claim, 3 Drawing Sheets



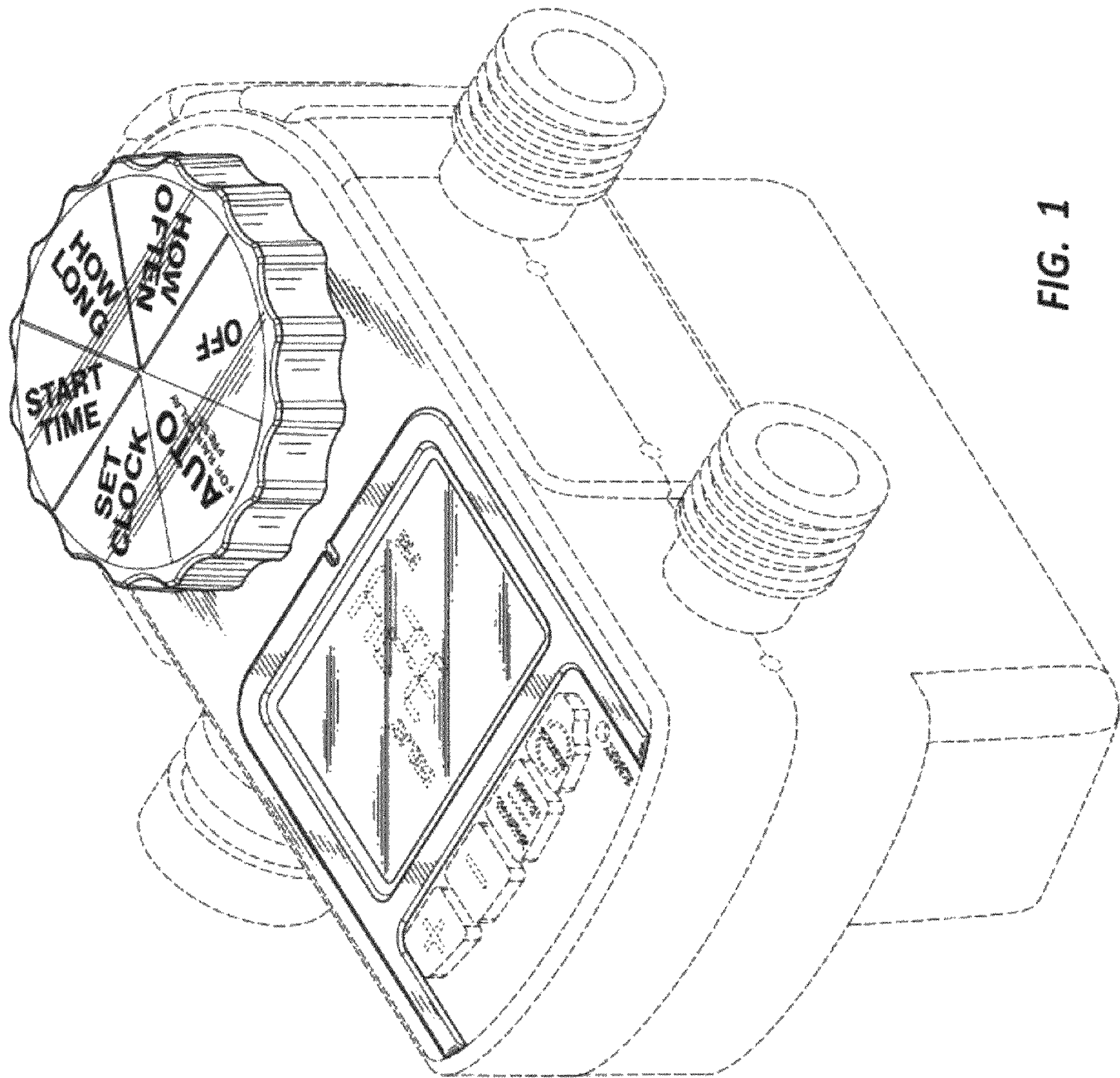


FIG. 1

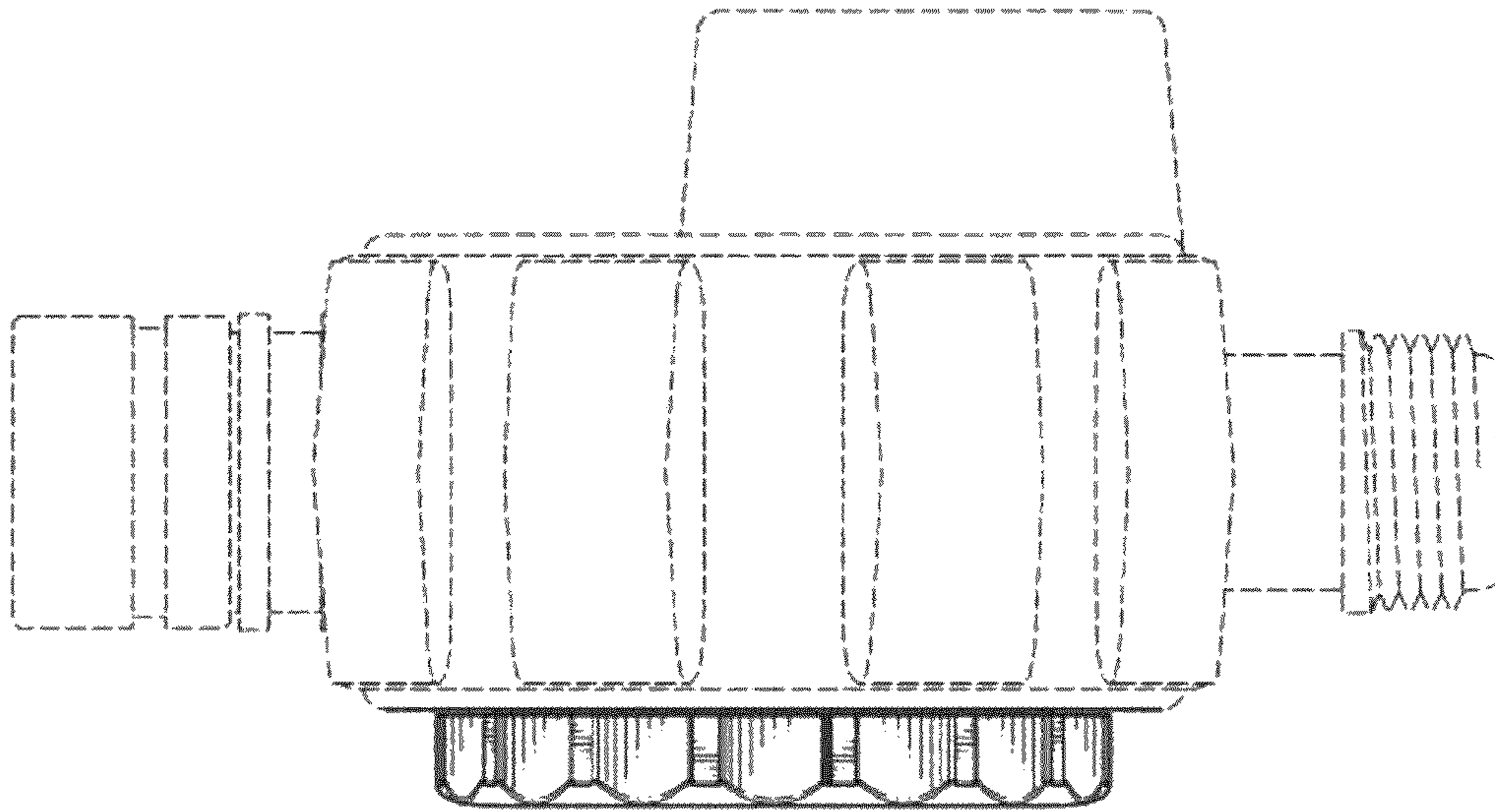


FIG. 3

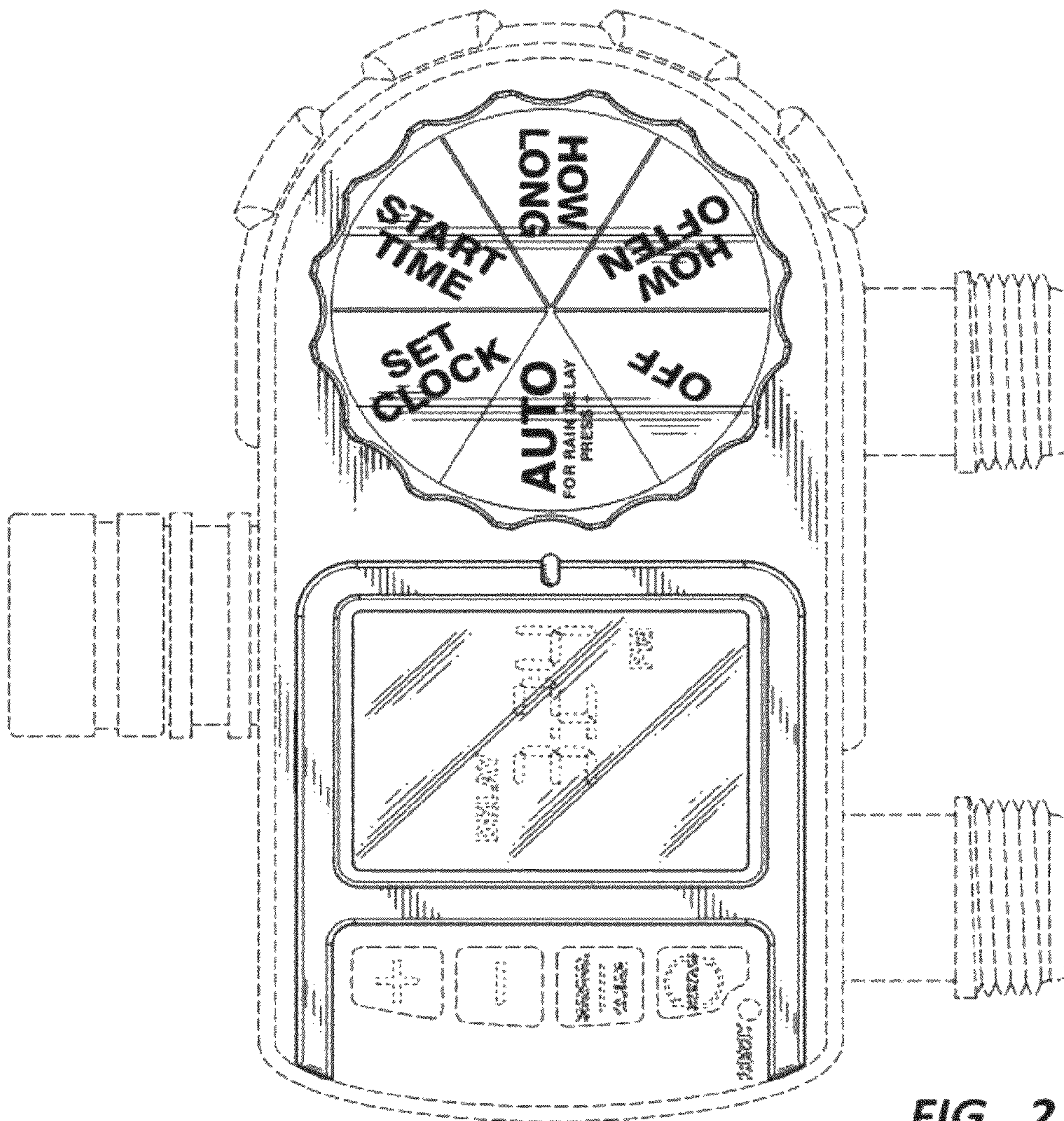


FIG. 2

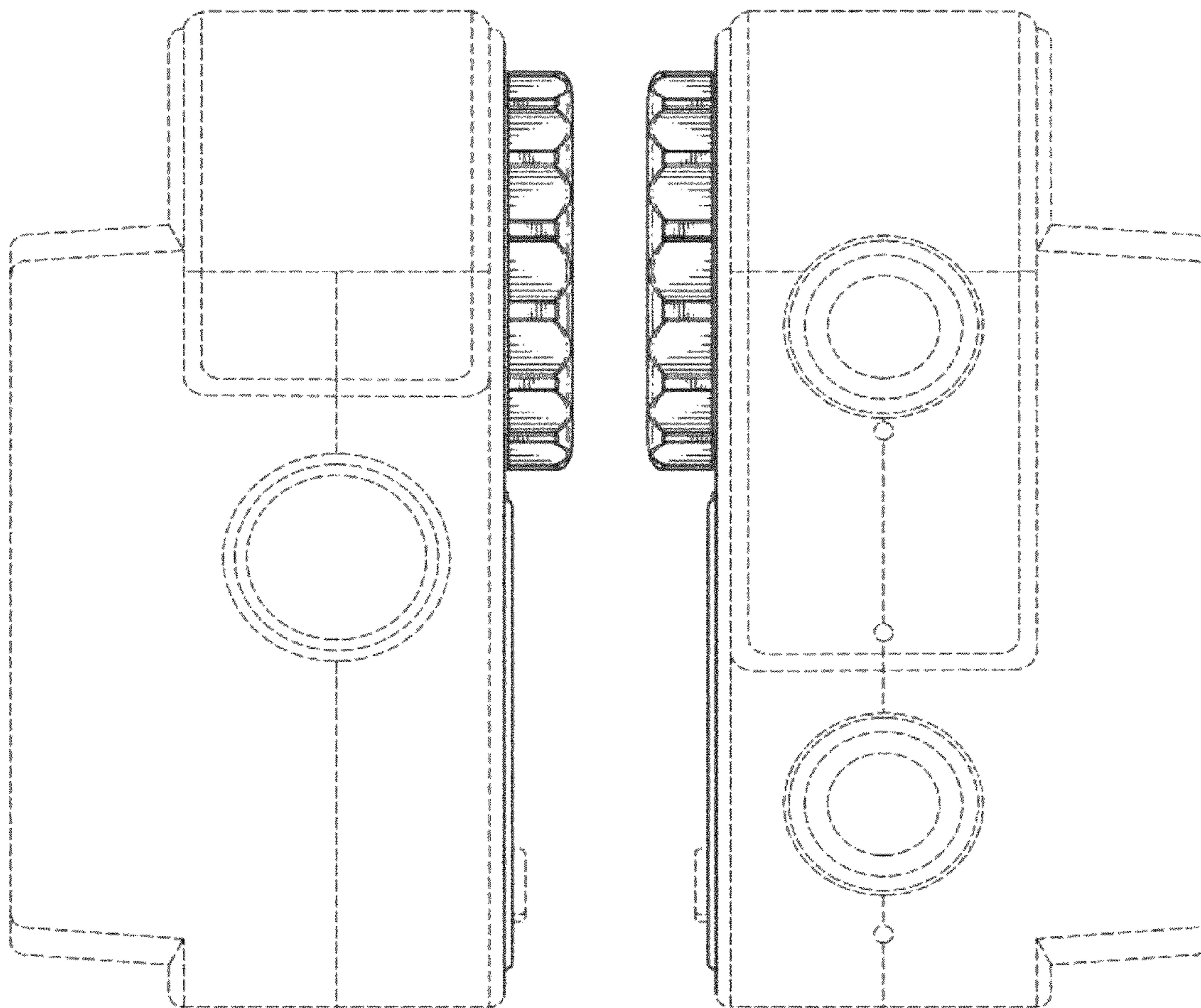


FIG. 4

FIG. 5

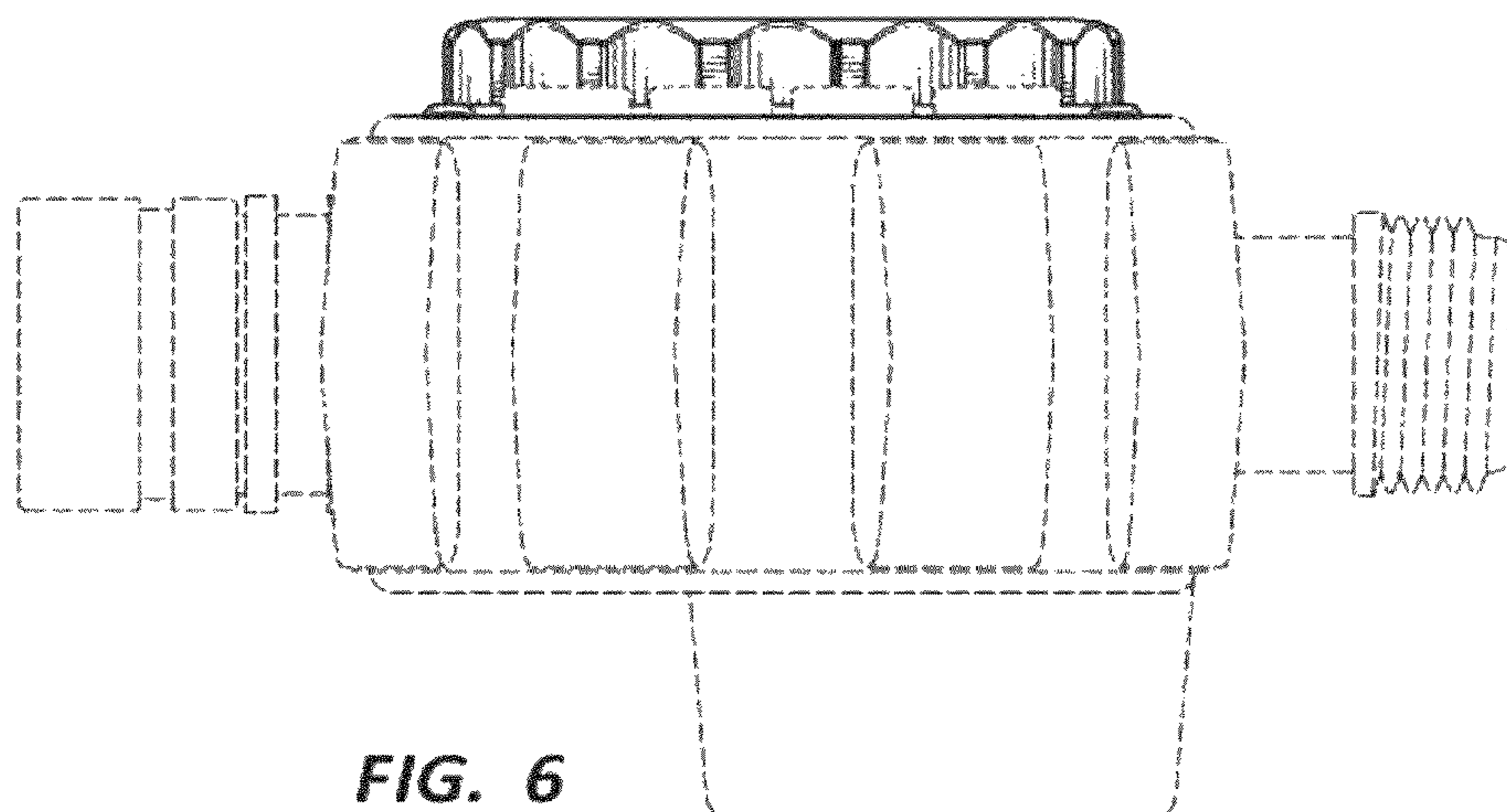


FIG. 6

UNITED STATES PATENT AND TRADEMARK OFFICE
CERTIFICATE OF CORRECTION

PATENT NO. : D659,029 S
APPLICATION NO. : 29/396541
DATED : May 8, 2012
INVENTOR(S) : Karl L. Connolly and Chadwick L. Wilson

Page 1 of 5

It is certified that error appears in the above-identified patent and that said Letters Patent is hereby corrected as shown below:

Delete the title page containing an illustrated figure and substitute the attached title page therefor.

In the Drawings

Delete the drawing sheets 1-3 and substitute the attached three (3) sheets which contain six (6) figures to correct the drawings of Design Patent No. D659,029.r

Signed and Sealed this
Second Day of July, 2013



Teresa Stanek Rea
Acting Director of the United States Patent and Trademark Office

(12) **United States Design Patent**
Connolly et al.

(10) **Patent No.:** **US D659,029 S**
(45) **Date of Patent:** **** May 8, 2012**

(54) **USER INTERFACE FOR A TIMER**
(75) Inventors: **Karl L. Connolly**, Brigham City, UT
(US); **Chadwick L. Wilson**, Woods
Cross, UT (US)
(73) Assignee: **Orbit Irrigation Products, Inc.**, North
Salt Lake, UT (US)
(**) Term: **14 Years**

7,252,113 B2 * 8/2007 Jacobs et al. 137/624.11
D559,708 S * 1/2008 Michael et al. D10/40
D567,680 S * 4/2008 Michael et al. D10/40
D567,681 S * 4/2008 Michael et al. D10/40
7,810,515 B2* 10/2010 Nies et al. 137/78.3
D630,952 S * 1/2011 Nies et al. D10/40
D636,278 S * 4/2011 Franchini D10/40
D642,077 S * 7/2011 Nies et al. D10/40
D643,316 S * 8/2011 Nies et al. D10/40
D643,755 S * 8/2011 Nies et al. D10/40
D647,411 S * 10/2011 Barton et al. D10/40

(21) Appl. No.: **29/396,541**
(22) Filed: **Jun. 30, 2011**
(51) **LOC (9) Cl.** **10-03**
(52) **U.S. Cl.** **D10/40; D10/122**
(58) **Field of Classification Search** **D10/40,**
D10/49, 50, 102, 122, 123, 125; 239/68,
239/69, 70; 137/624.11, 624.12, 624.21,
137/624.22, 624.18; D23/245; D14/218
See application file for complete search history.

OTHER PUBLICATIONS

Orbit Irrigation Products, Inc. (The products shown in Attachment A hereto were sold or offered for sale on or before Nov. 2008.).

* cited by examiner

Primary Examiner — Lucy Lieberman

(74) *Attorney, Agent, or Firm* - Austin Rapp & Hardman

(57) **CLAIM**

The ornamental design for a user interface for a timer, as shown and described.

DESCRIPTION

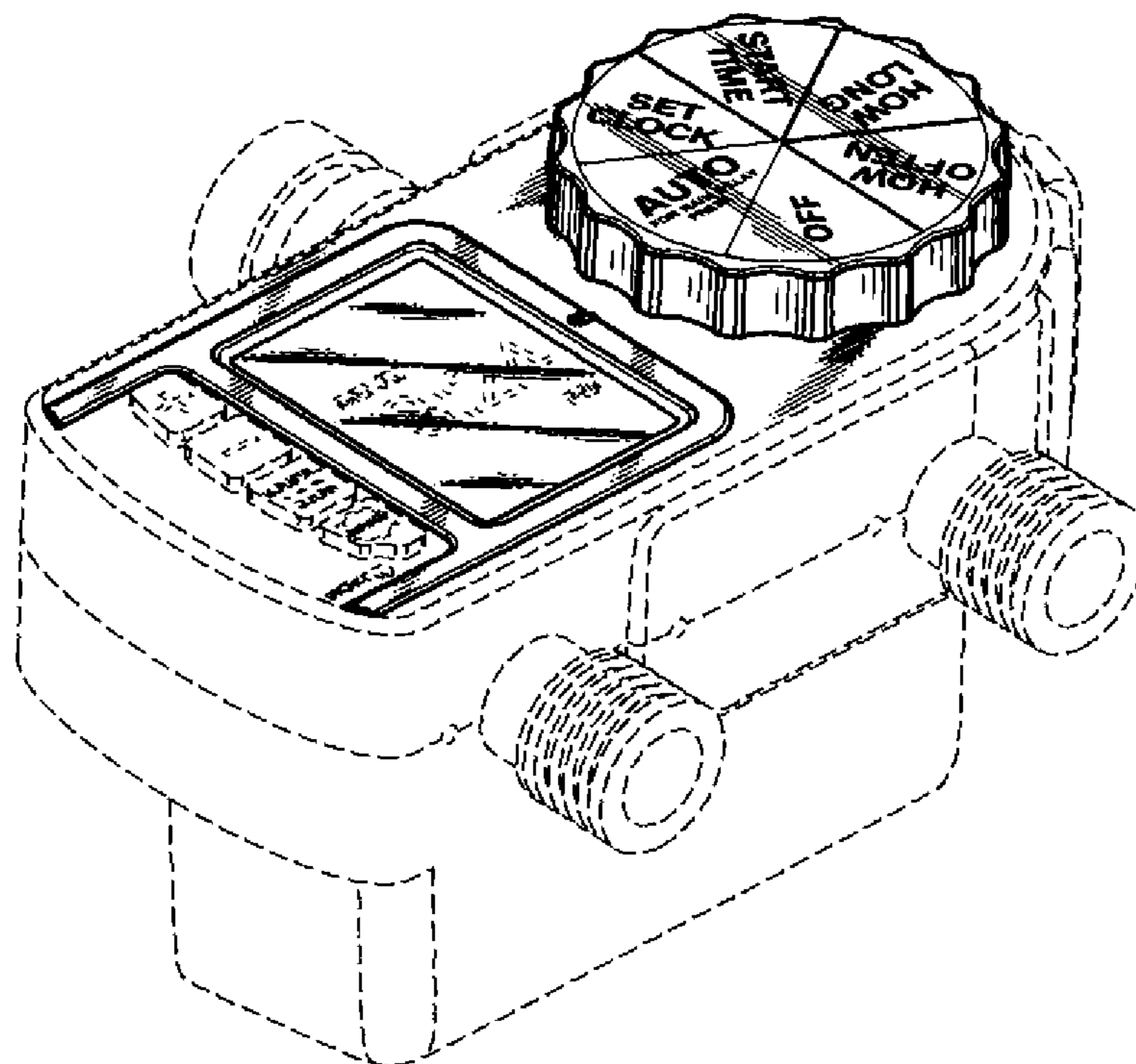
FIG. 1 is a perspective view of a user interface for a timer, according to our new design;
FIG. 2 is a front view of the user interface for a timer;
FIG. 3 is a first side view of the user interface for a timer;
FIG. 4 is a top view of the user interface for a timer;
FIG. 5 is a bottom view of the user interface for a timer; and,
FIG. 6 is a second side view of the user interface for a timer.
The portions in broken lines show environmental structure only and form no part of the claimed design.

(56) **References Cited**

U.S. PATENT DOCUMENTS

4,633,905 A * 1/1987 Wang 137/624.11
4,807,664 A * 2/1989 Wilson et al. 137/624.11
D304,224 S * 10/1989 Wilson et al. D23/245
D365,771 S * 1/1996 Clivio D10/96
D377,316 S * 1/1997 Roman et al. D10/40
5,826,619 A * 10/1998 Roman 137/624.11
D430,044 S * 8/2000 Clivio D10/40
D431,195 S * 9/2000 Clivio D10/40
D467,187 S * 12/2002 Clivio D10/40
D485,502 S * 1/2004 Clivio D10/40
6,986,364 B1 * 1/2006 Wang 137/624.11

1 Claim, 3 Drawing Sheets



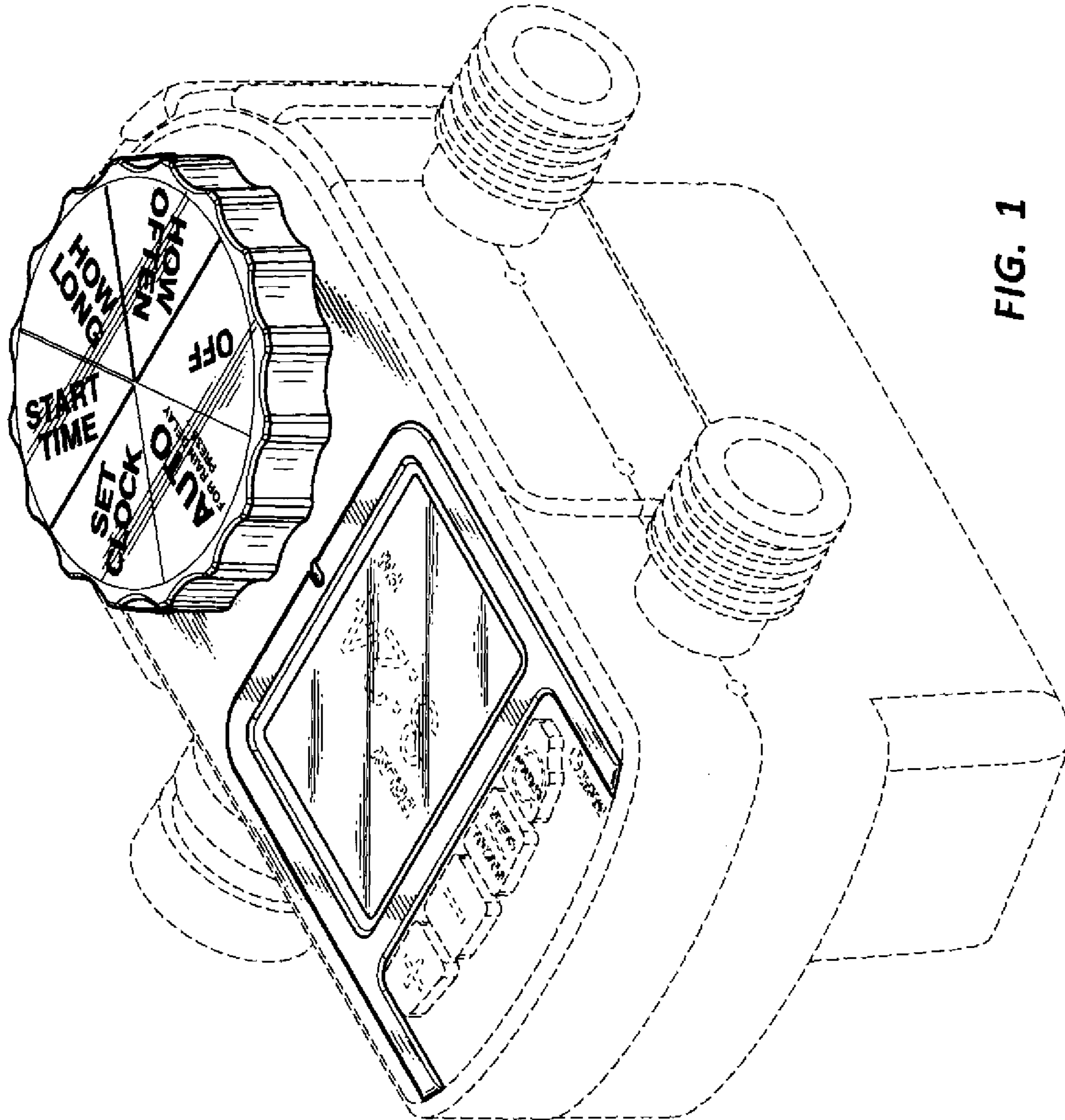


FIG. 1

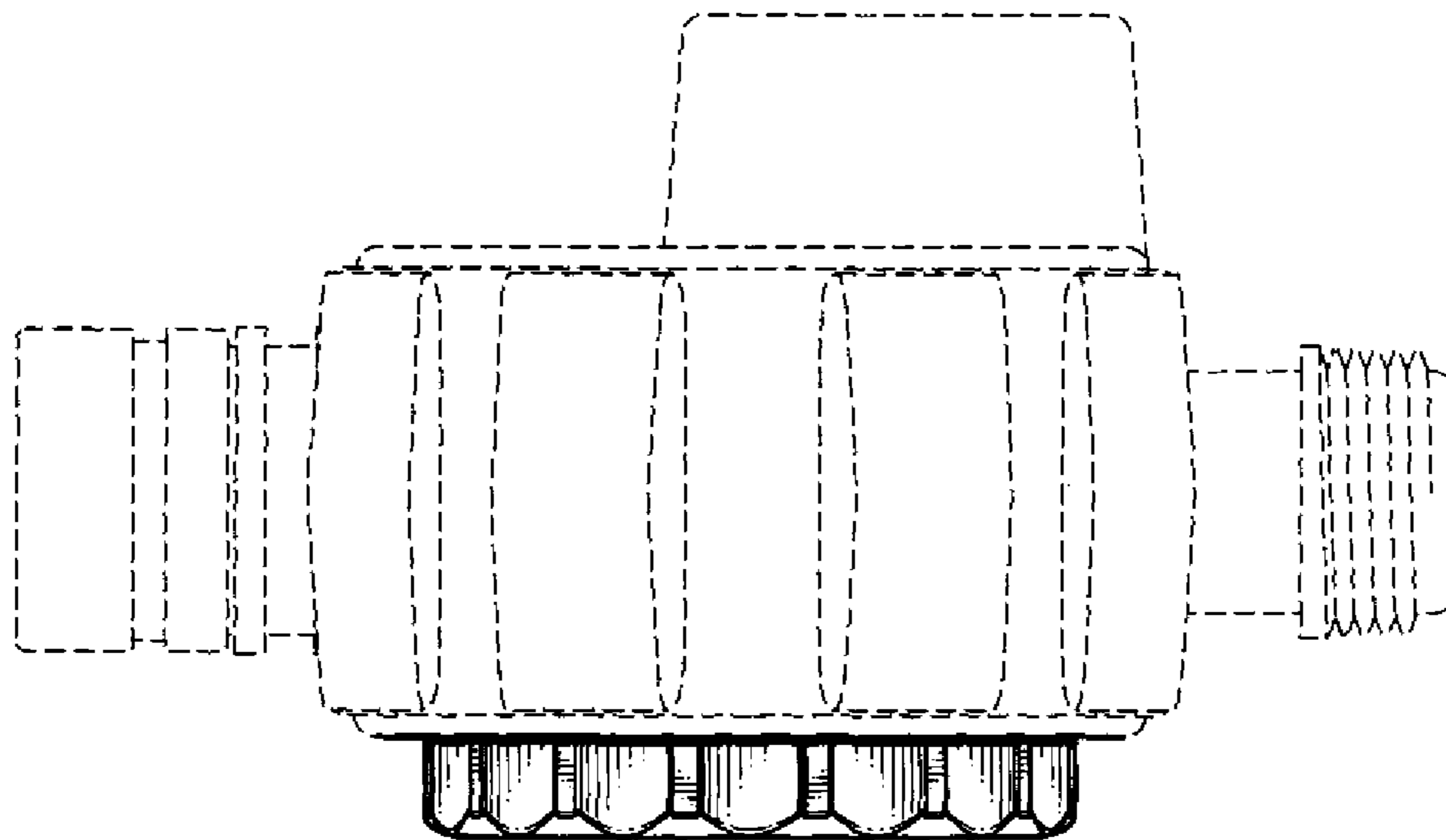


FIG. 3

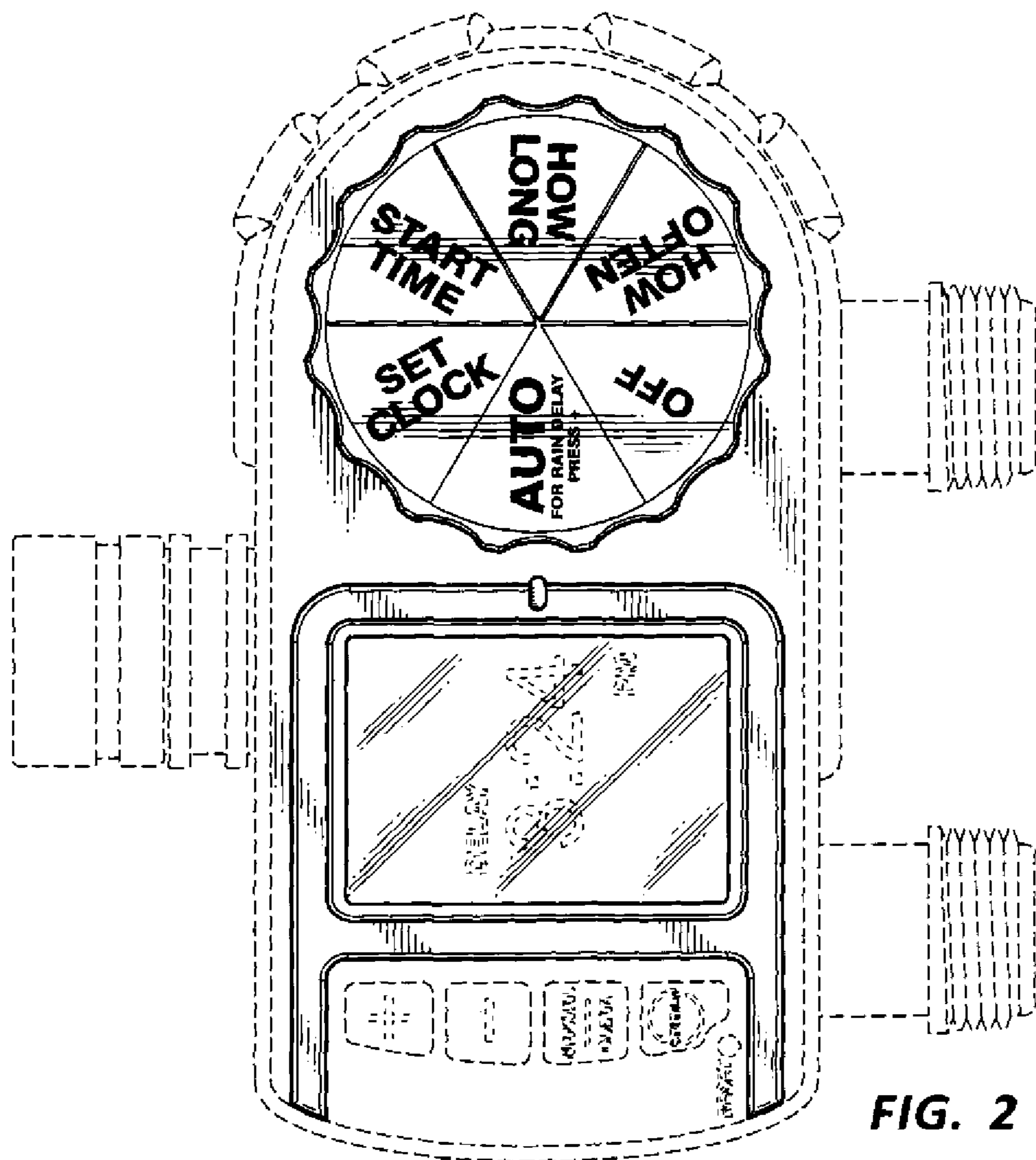


FIG. 2

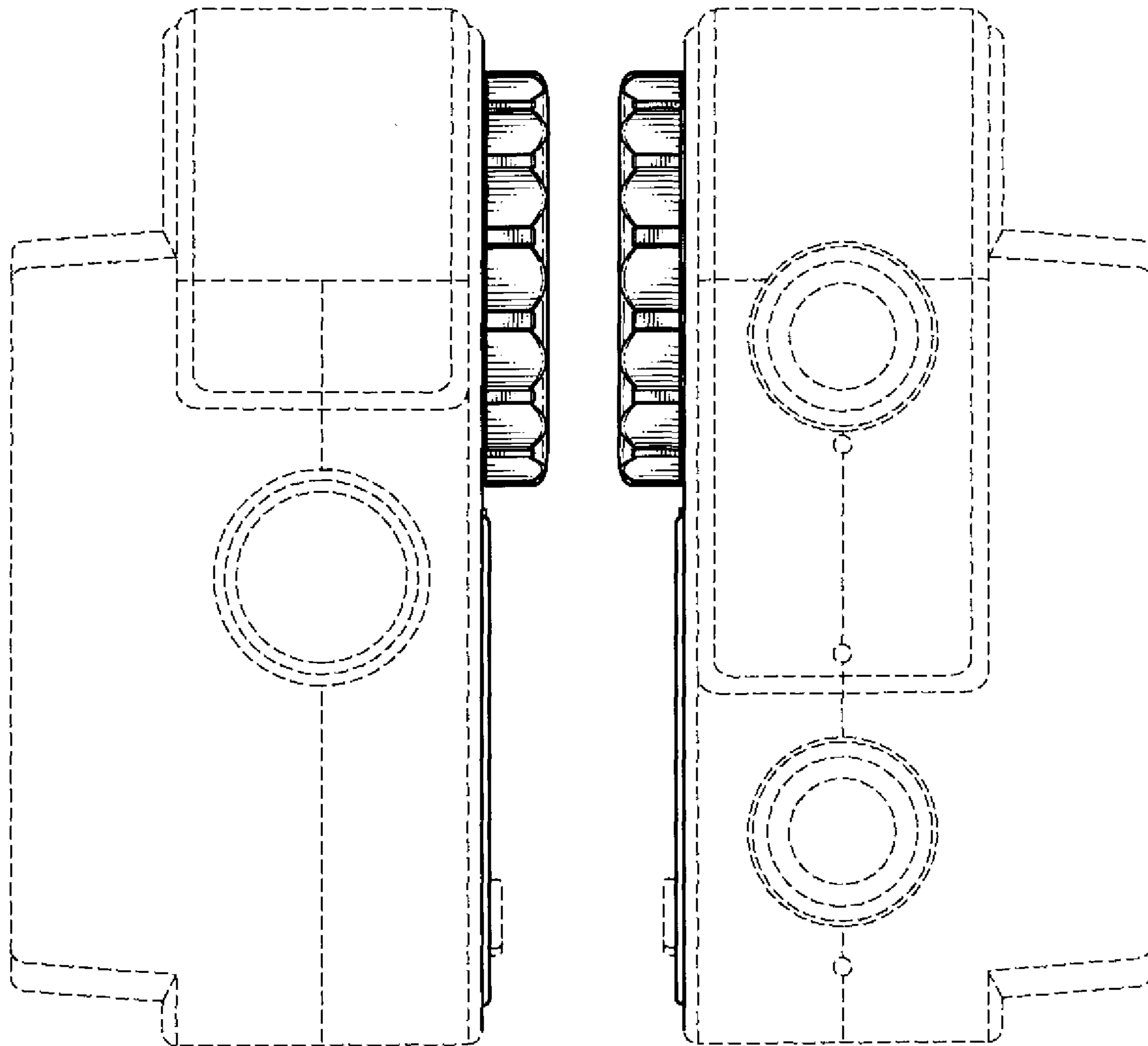


FIG. 4

FIG. 5

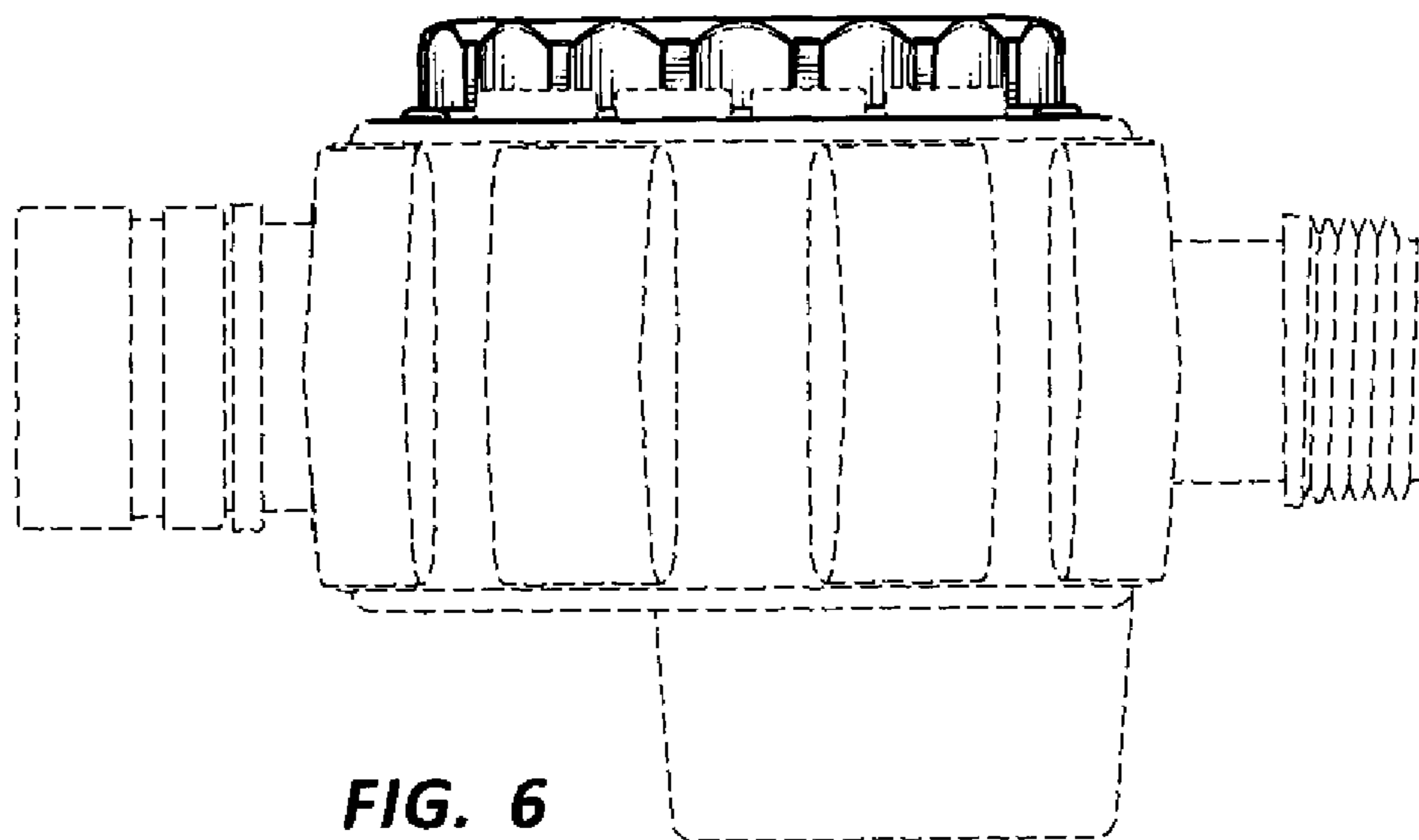


FIG. 6

UNITED STATES PATENT AND TRADEMARK OFFICE
CERTIFICATE OF CORRECTION

PATENT NO. : D659,029 S
APPLICATION NO. : 29/396541
DATED : May 8, 2012
INVENTOR(S) : Karl L. Connolly and Chadwick L. Wilson

Page 1 of 5

It is certified that error appears in the above-identified patent and that said Letters Patent is hereby corrected as shown below:

Delete the title page containing an illustrated figure and substitute the attached title page therefor.

In the Drawings

Delete the drawing sheets 1-3 and substitute the attached three (3) sheets which contain six (6) figures to correct the drawings of Design Patent No. D659,029.

This certificate supersedes the Certificate of Correction issued July 2, 2013.

Signed and Sealed this
Seventeenth Day of September, 2013



Teresa Stanek Rea
Deputy Director of the United States Patent and Trademark Office

(12) **United States Design Patent**
Connolly et al.

(10) **Patent No.:** **US D659,029 S**
(45) **Date of Patent:** **** May 8, 2012**

(54) **USER INTERFACE FOR A TIMER**
(75) Inventors: **Karl L. Connolly**, Brigham City, UT
(US); **Chadwick L. Wilson**, Woods
Cross, UT (US)
(73) Assignee: **Orbit Irrigation Products, Inc.**, North
Salt Lake, UT (US)
(**) Term: **14 Years**

7,252,113 B2 * 8/2007 Jacobs et al. 137/624.11
D559,708 S * 1/2008 Michael et al. D10/40
D567,680 S * 4/2008 Michael et al. D10/40
D567,681 S * 4/2008 Michael et al. D10/40
7,810,515 B2* 10/2010 Nies et al. 137/78.3
D630,952 S * 1/2011 Nies et al. D10/40
D636,278 S * 4/2011 Franchini D10/40
D642,077 S * 7/2011 Nies et al. D10/40
D643,316 S * 8/2011 Nies et al. D10/40
D643,755 S * 8/2011 Nies et al. D10/40
D647,411 S * 10/2011 Barton et al. D10/40

(21) Appl. No.: **29/396,541**
(22) Filed: **Jun. 30, 2011**
(51) **LOC (9) Cl.** **10-03**
(52) **U.S. Cl.** **D10/40; D10/122**
(58) **Field of Classification Search** **D10/40,**
D10/49, 50, 102, 122, 123, 125; 239/68,
239/69, 70; 137/624.11, 624.12, 624.21,
137/624.22, 624.18; D23/245; D14/218
See application file for complete search history.

OTHER PUBLICATIONS

Orbit Irrigation Products, Inc. (The products shown in Attachment A hereto were sold or offered for sale on or before Nov. 2008.)

* cited by examiner

Primary Examiner — Lucy Lieberman

(74) *Attorney, Agent, or Firm* - Austin Rapp & Hardman

(57) **CLAIM**

The ornamental design for a user interface for a timer, as shown and described.

DESCRIPTION

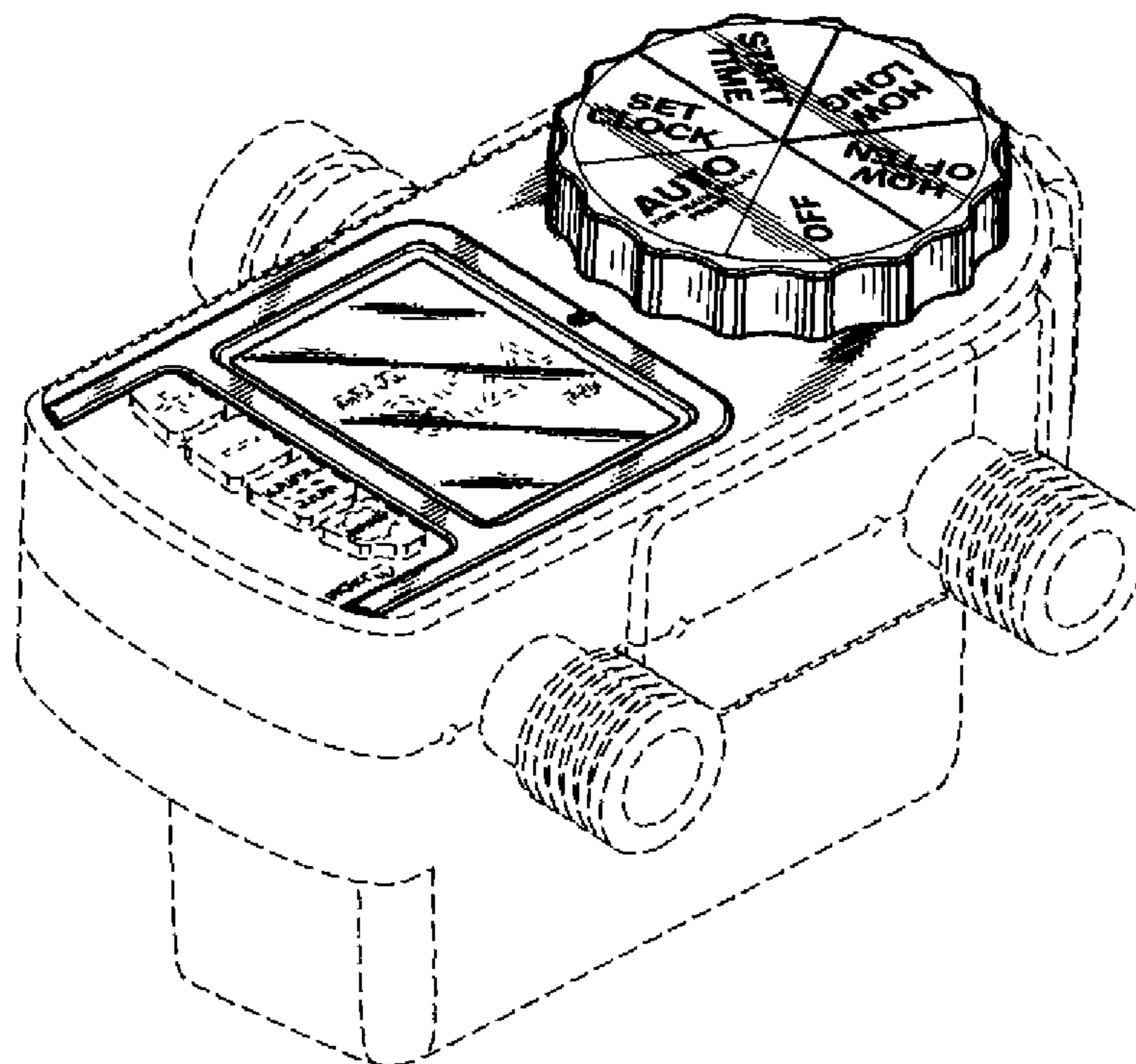
FIG. 1 is a perspective view of a user interface for a timer, according to our new design;
FIG. 2 is a front view of the user interface for a timer;
FIG. 3 is a first side view of the user interface for a timer;
FIG. 4 is a top view of the user interface for a timer;
FIG. 5 is a bottom view of the user interface for a timer; and,
FIG. 6 is a second side view of the user interface for a timer.
The portions in broken lines show environmental structure only and form no part of the claimed design.

(56) **References Cited**

U.S. PATENT DOCUMENTS

4,633,905 A * 1/1987 Wang 137/624.11
4,807,664 A * 2/1989 Wilson et al. 137/624.11
D304,224 S * 10/1989 Wilson et al. D23/245
D365,771 S * 1/1996 Clivio D10/96
D377,316 S * 1/1997 Roman et al. D10/40
5,826,619 A * 10/1998 Roman 137/624.11
D430,044 S * 8/2000 Clivio D10/40
D431,195 S * 9/2000 Clivio D10/40
D467,187 S * 12/2002 Clivio D10/40
D485,502 S * 1/2004 Clivio D10/40
6,986,364 B1 * 1/2006 Wang 137/624.11

1 Claim, 3 Drawing Sheets



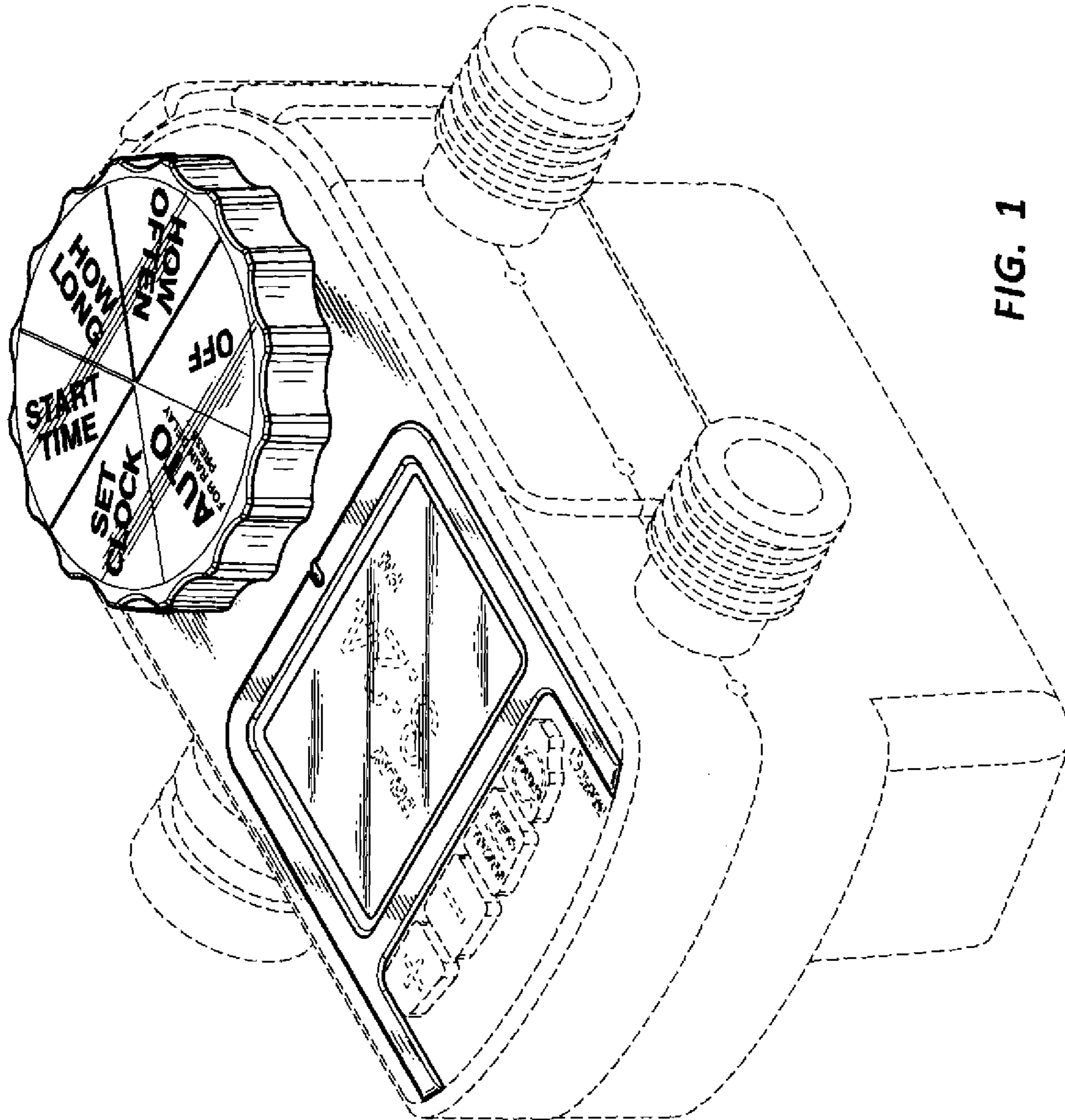


FIG. 1

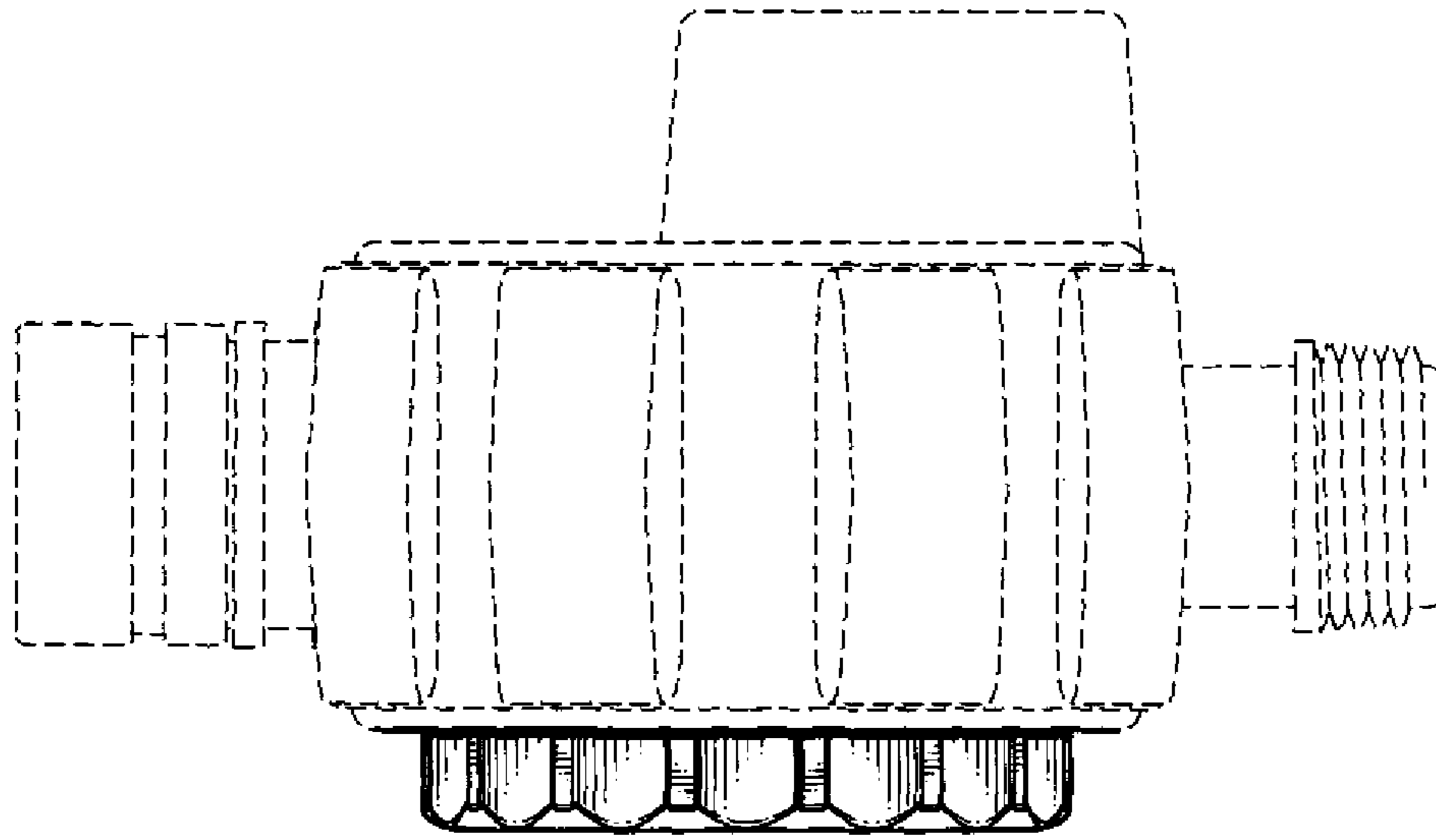


FIG. 3

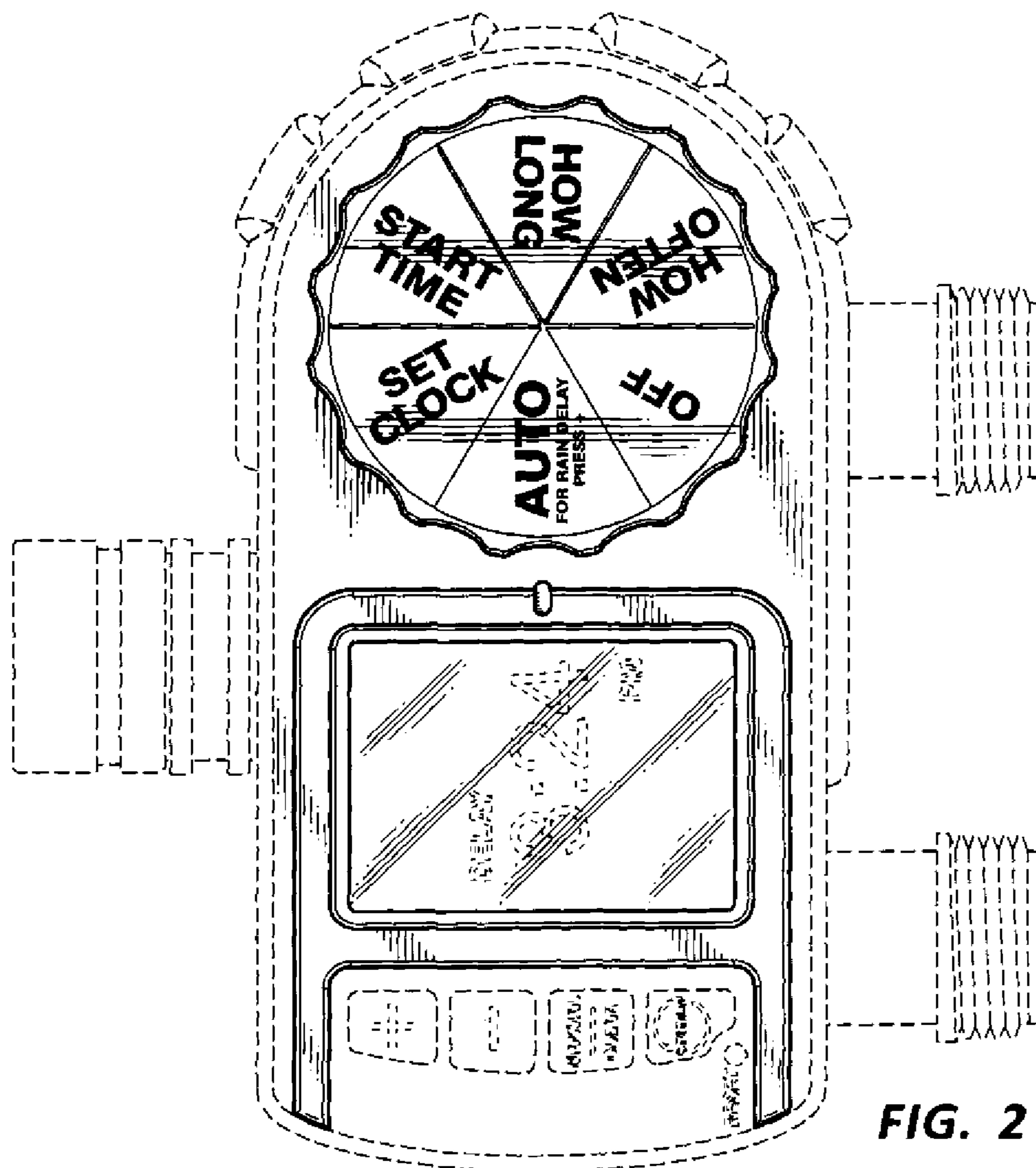


FIG. 2

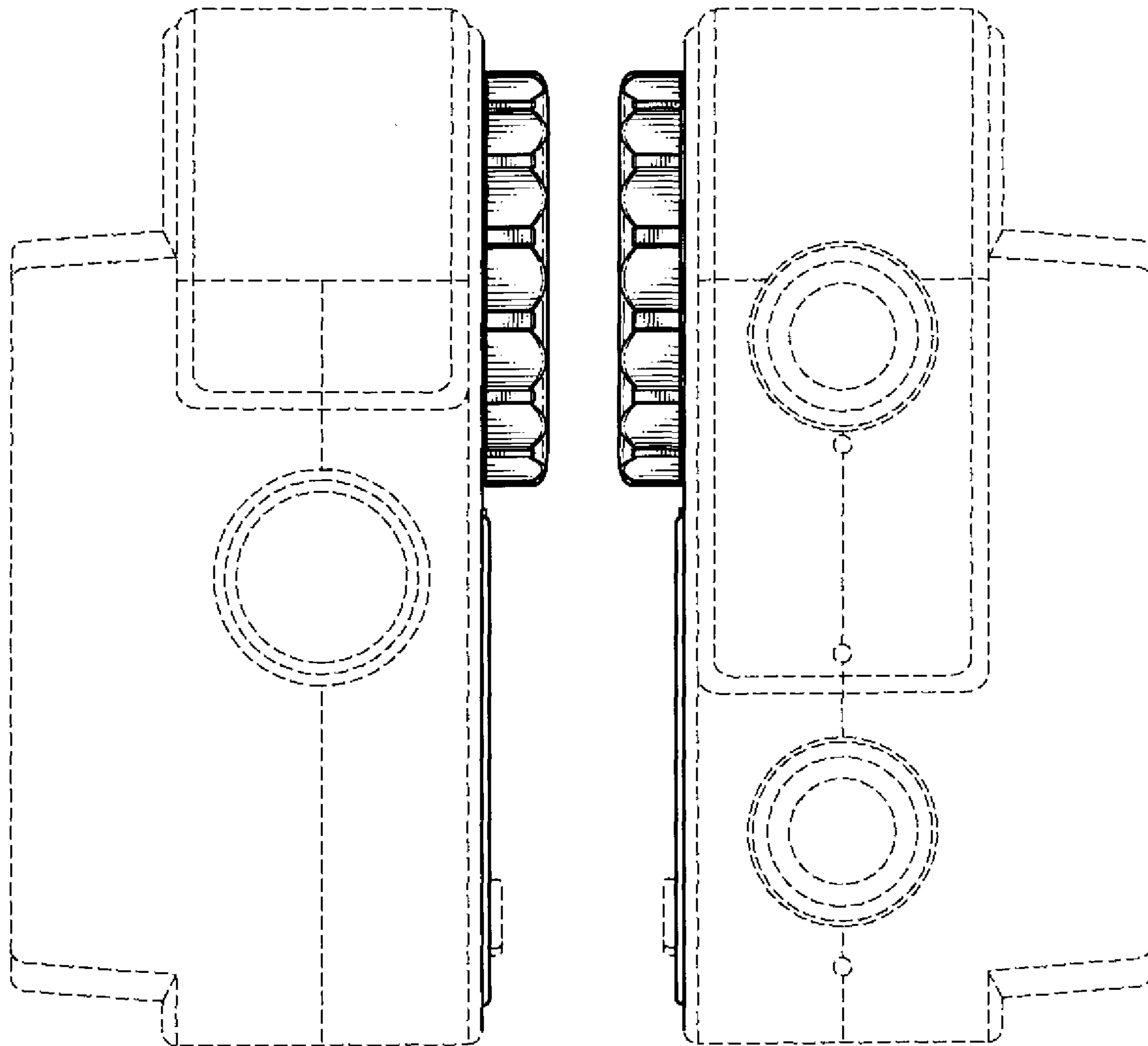


FIG. 4

FIG. 5

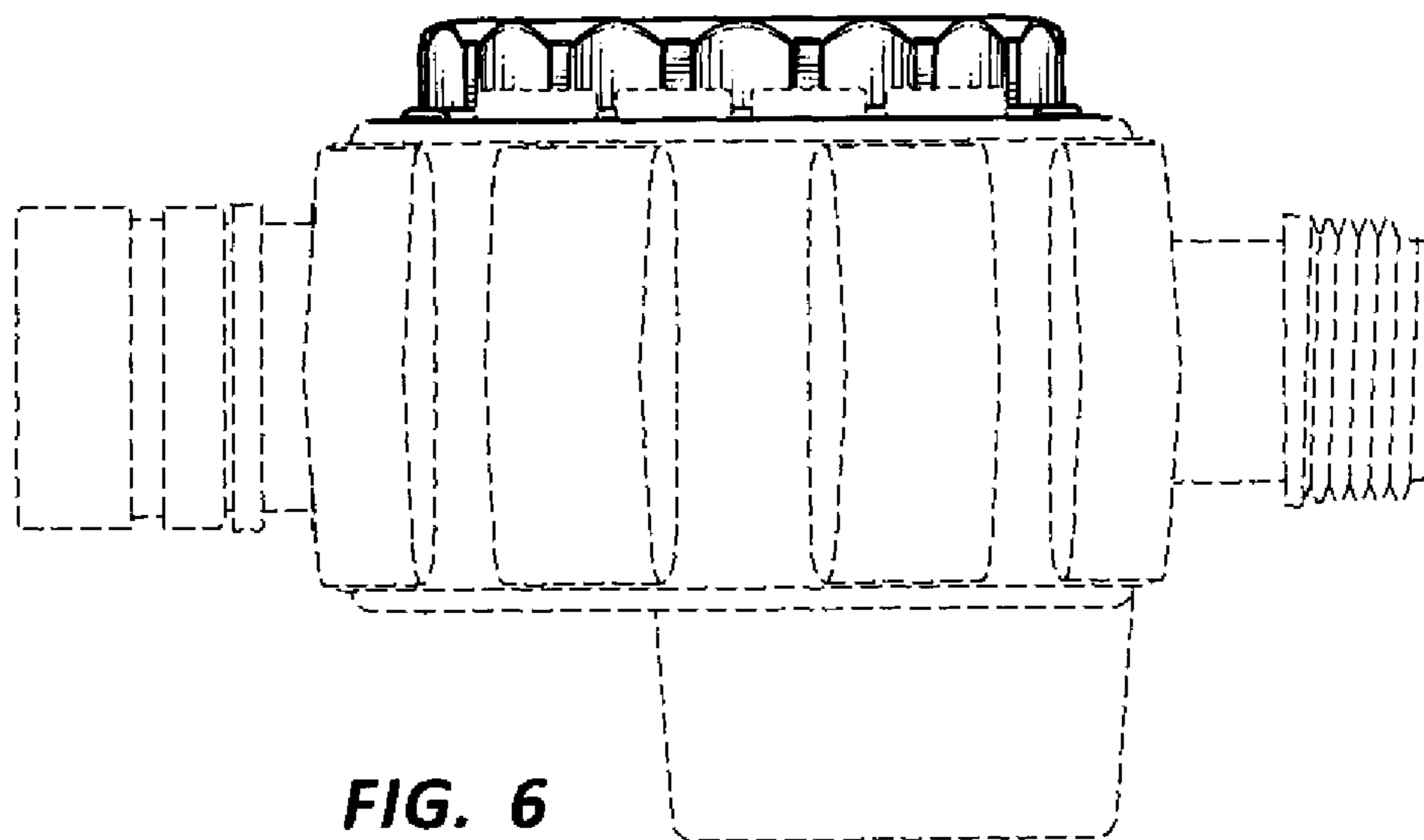


FIG. 6