



US00D659026S

(12) **United States Design Patent**  
**Yurman**

(10) **Patent No.:** **US D659,026 S**

(45) **Date of Patent:** **\*\* May 8, 2012**

(54) **WRISTWATCH**

(76) Inventor: **David Yurman**, New York, NY (US)

(\*\*) Term: **14 Years**

(21) Appl. No.: **29/400,364**

(22) Filed: **Aug. 26, 2011**

(30) **Foreign Application Priority Data**

Feb. 28, 2011 (CH) ..... 2011-00170

(51) **LOC (9) Cl.** ..... **10-02**

(52) **U.S. Cl.** ..... **D10/32**

(58) **Field of Classification Search** ..... D10/30-39;  
368/276, 281, 282, 285, 288, 308, 289, 290;  
D11/3, 12

See application file for complete search history.

(56) **References Cited**

**U.S. PATENT DOCUMENTS**

2,361,563	A *	10/1944	Pellaton	.....	368/80
2,385,234	A *	9/1945	Schmitz	.....	368/288
D186,180	S *	9/1959	Diamond	.....	D10/39
D365,526	S *	12/1995	Gardner	.....	D10/39
D382,815	S *	8/1997	Riley	.....	D10/30
D411,806	S *	7/1999	Rousseau	.....	D10/32
D427,079	S *	6/2000	Houlihan	.....	D10/30
D438,472	S *	3/2001	Fichter	.....	D10/39
D471,482	S *	3/2003	Calvani	.....	D11/3
D487,229	S *	3/2004	Monachon	.....	D10/32
D493,729	S *	8/2004	Monachon	.....	D10/32
D525,537	S *	7/2006	Monachon	.....	D10/32

D538,182	S *	3/2007	Lalo	.....	D10/32
D539,673	S *	4/2007	Garcia	.....	D10/38
D547,206	S *	7/2007	Dewitt	.....	D10/31
D547,211	S *	7/2007	Dias	.....	D10/39
D551,095	S *	9/2007	Monachon	.....	D10/32
D554,003	S *	10/2007	Journe	.....	D10/31
D572,608	S *	7/2008	Behling	.....	D10/32
D580,795	S *	11/2008	Lalo	.....	D10/32
D590,275	S *	4/2009	Monachon	.....	D10/32
D594,350	S *	6/2009	Arpa	.....	D10/32
D608,223	S *	1/2010	Salanitro	.....	D10/38
D628,911	S *	12/2010	Giannini	.....	D10/32
D629,706	S *	12/2010	Furetta	.....	D10/32
D632,592	S *	2/2011	Actis-Datta	.....	D10/32
D633,812	S *	3/2011	Yurman	.....	D10/32

\* cited by examiner

*Primary Examiner* — Lucy Lieberman

(74) *Attorney, Agent, or Firm* — McCarter & English, LLP

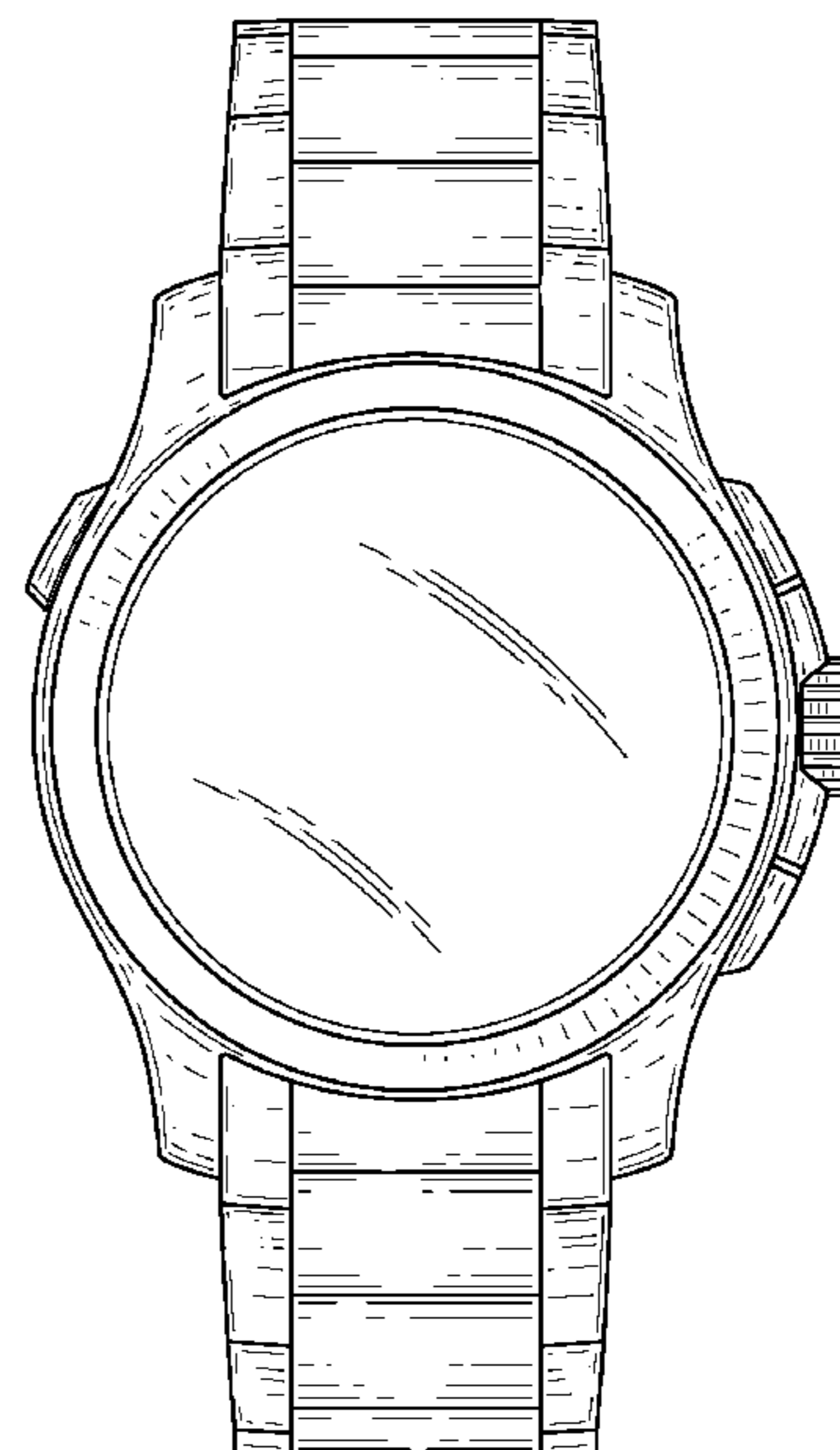
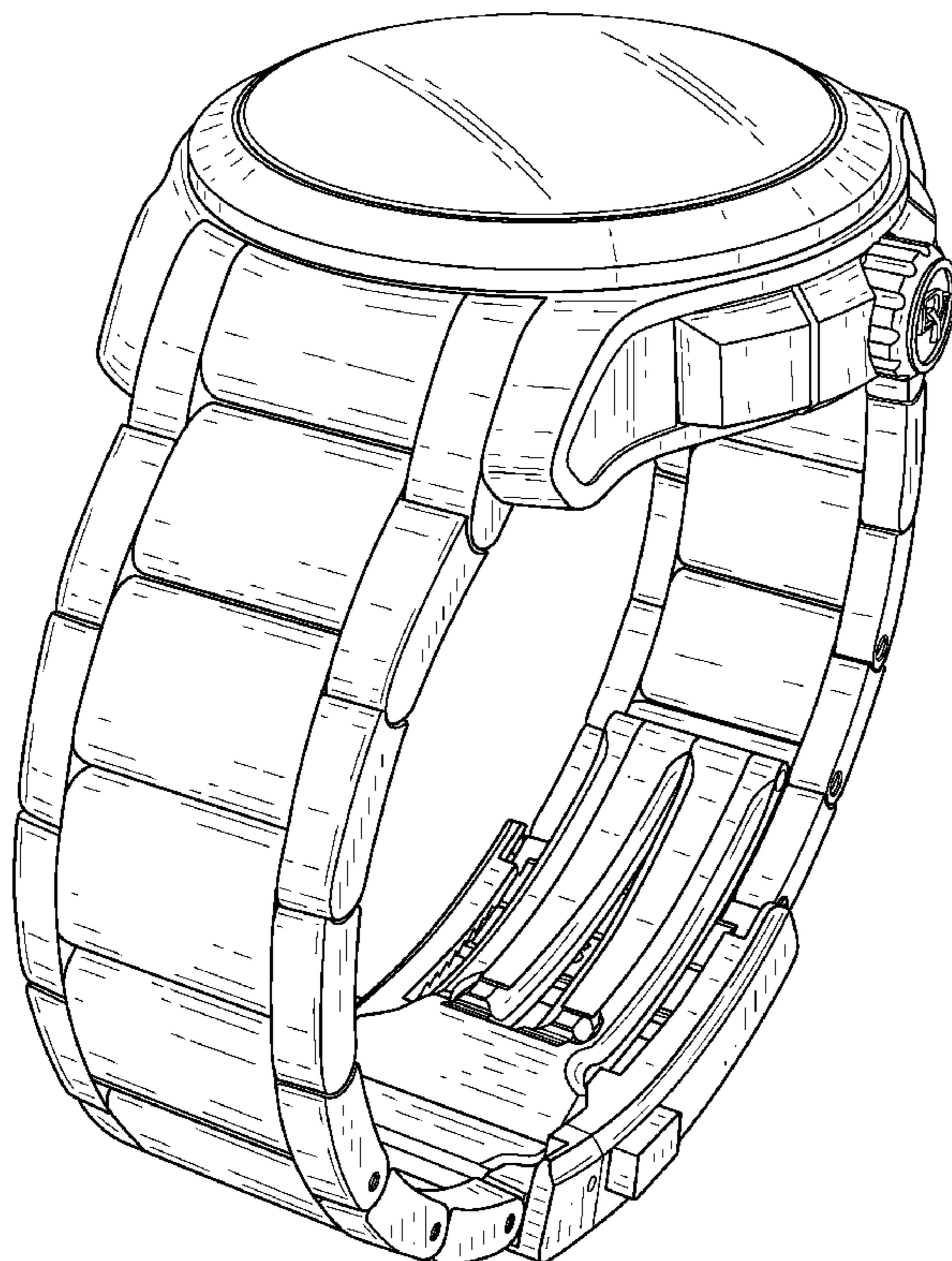
(57) **CLAIM**

The ornamental design for a wristwatch, as shown.

**DESCRIPTION**

FIG. 1 is a perspective view of a wristwatch showing my new design;  
FIG. 2 shows a top plan view thereof;  
FIG. 3 shows a bottom plan view thereof;  
FIG. 4 shows a front elevational view thereof;  
FIG. 5 shows a rear elevational view thereof;  
FIG. 6 shows a right side elevational view thereof; and,  
FIG. 7 shows a left side elevational view thereof.

**1 Claim, 7 Drawing Sheets**



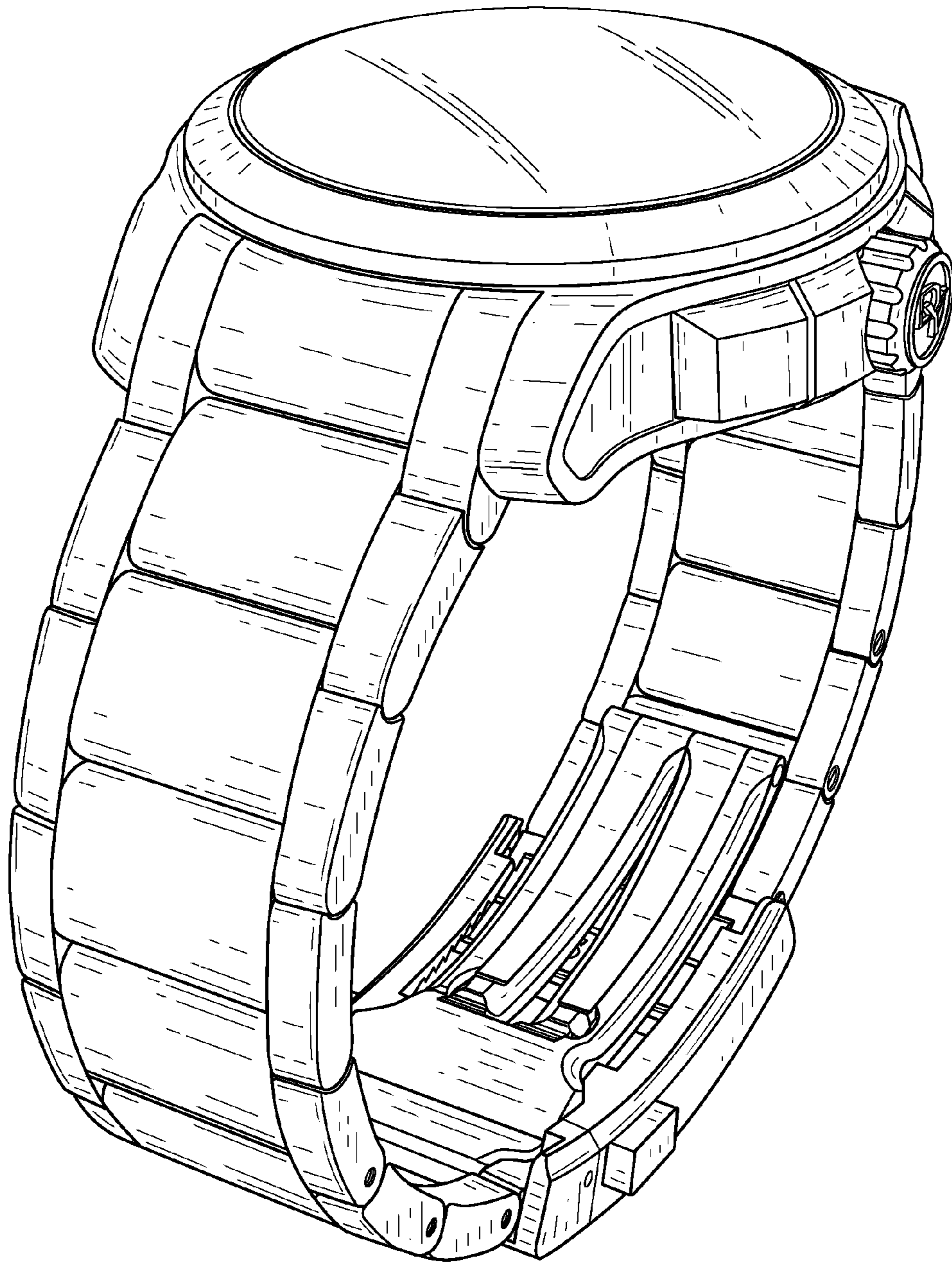


FIG. 1

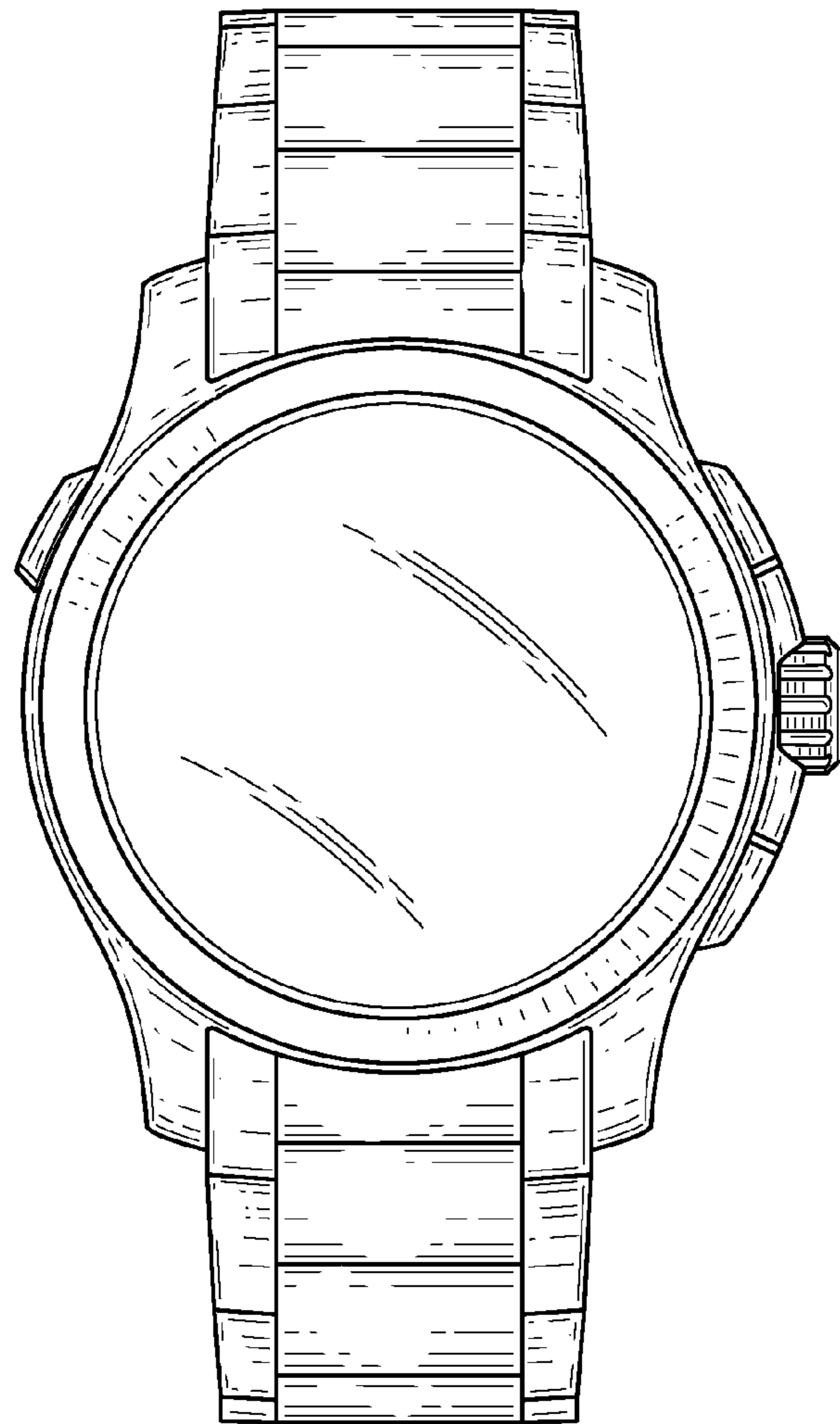


FIG. 2

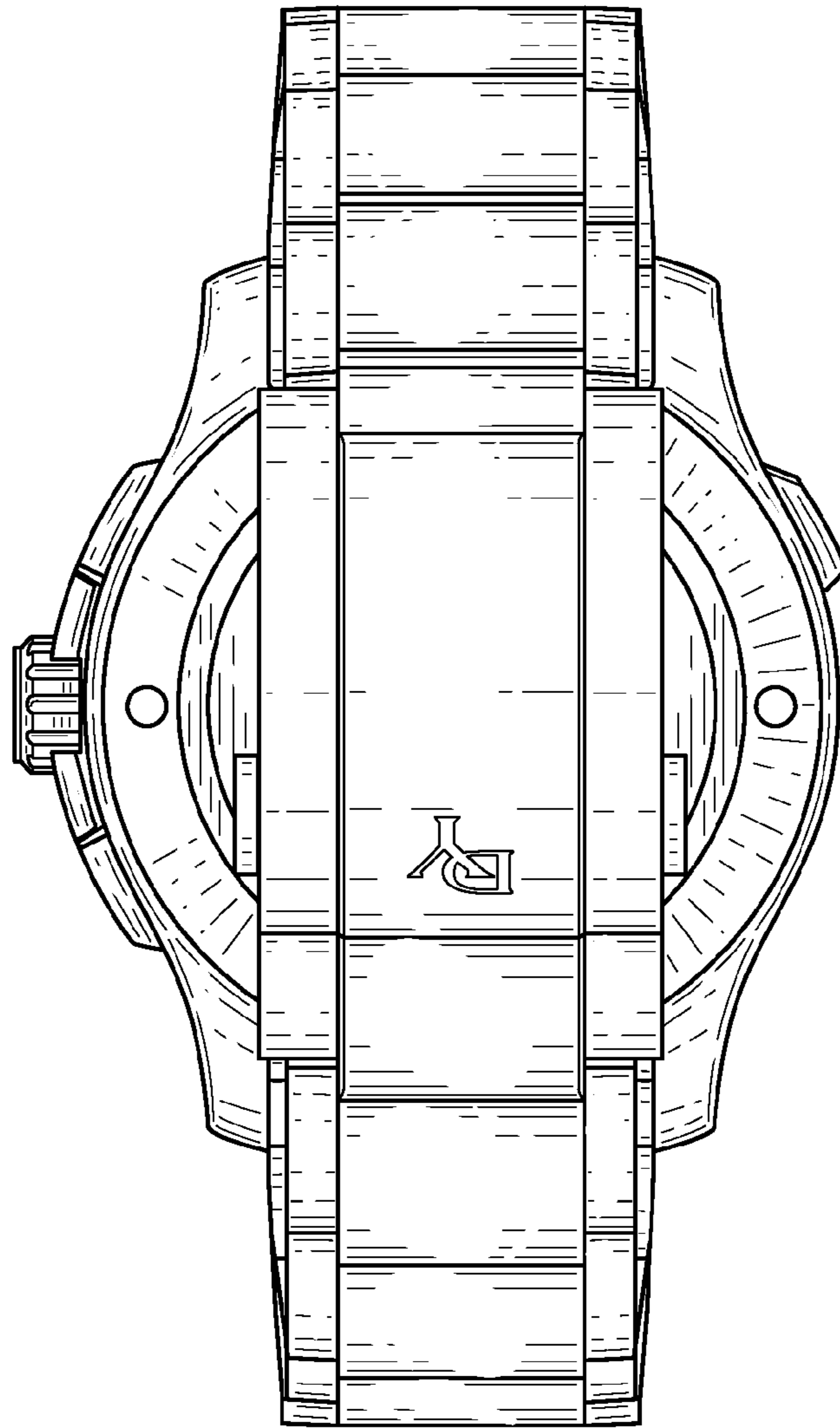


FIG. 3

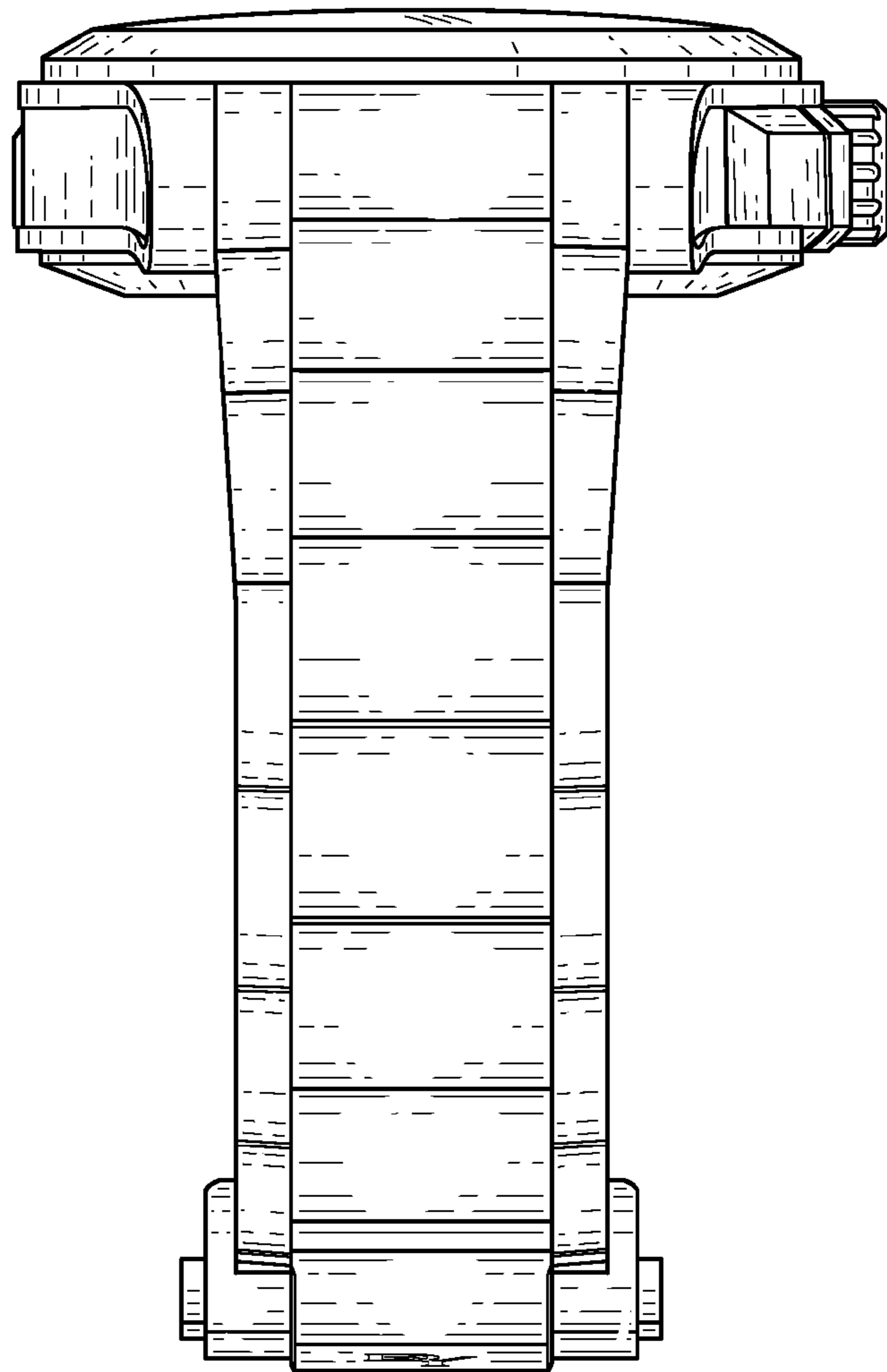


FIG. 4

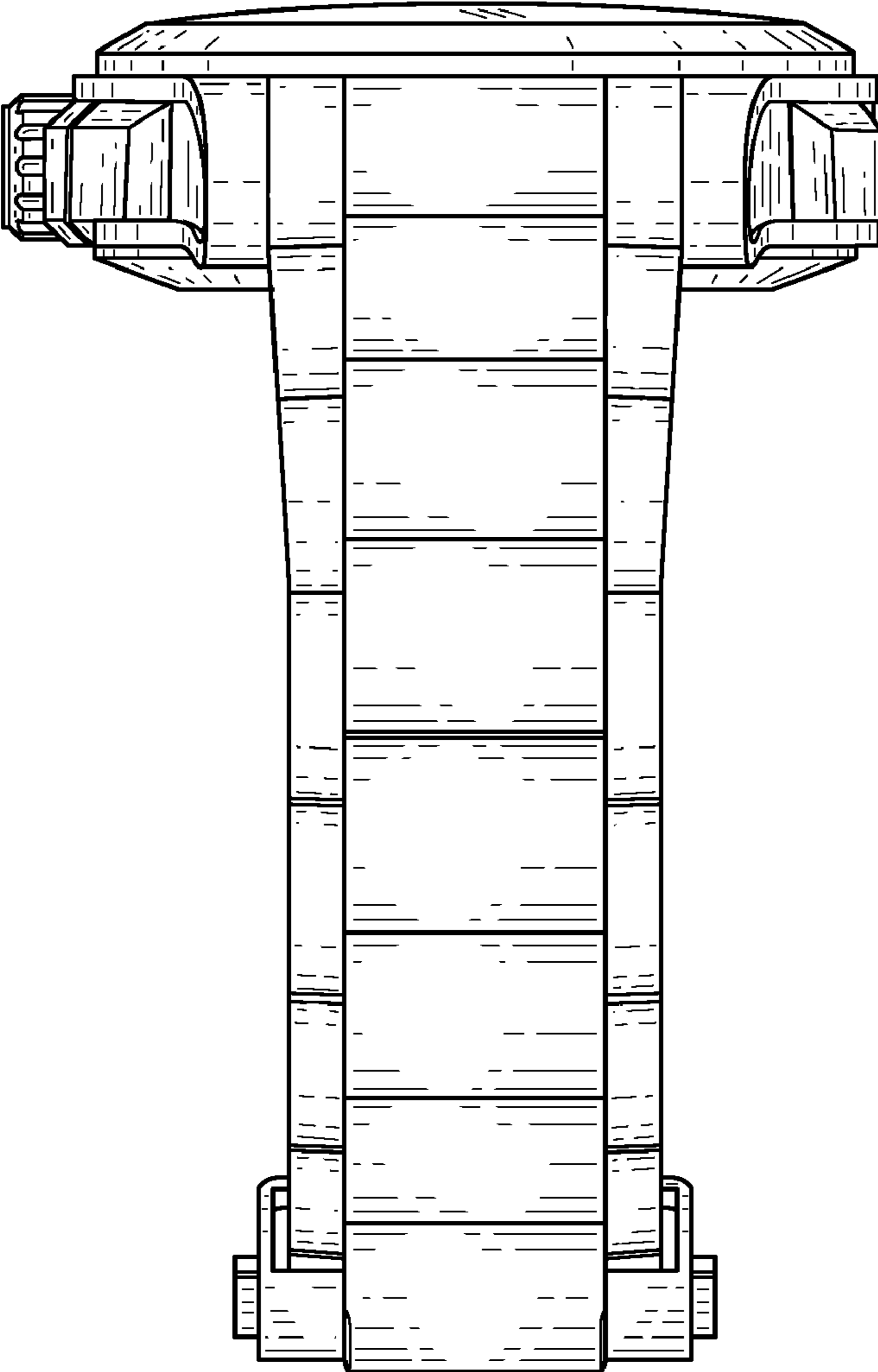


FIG. 5

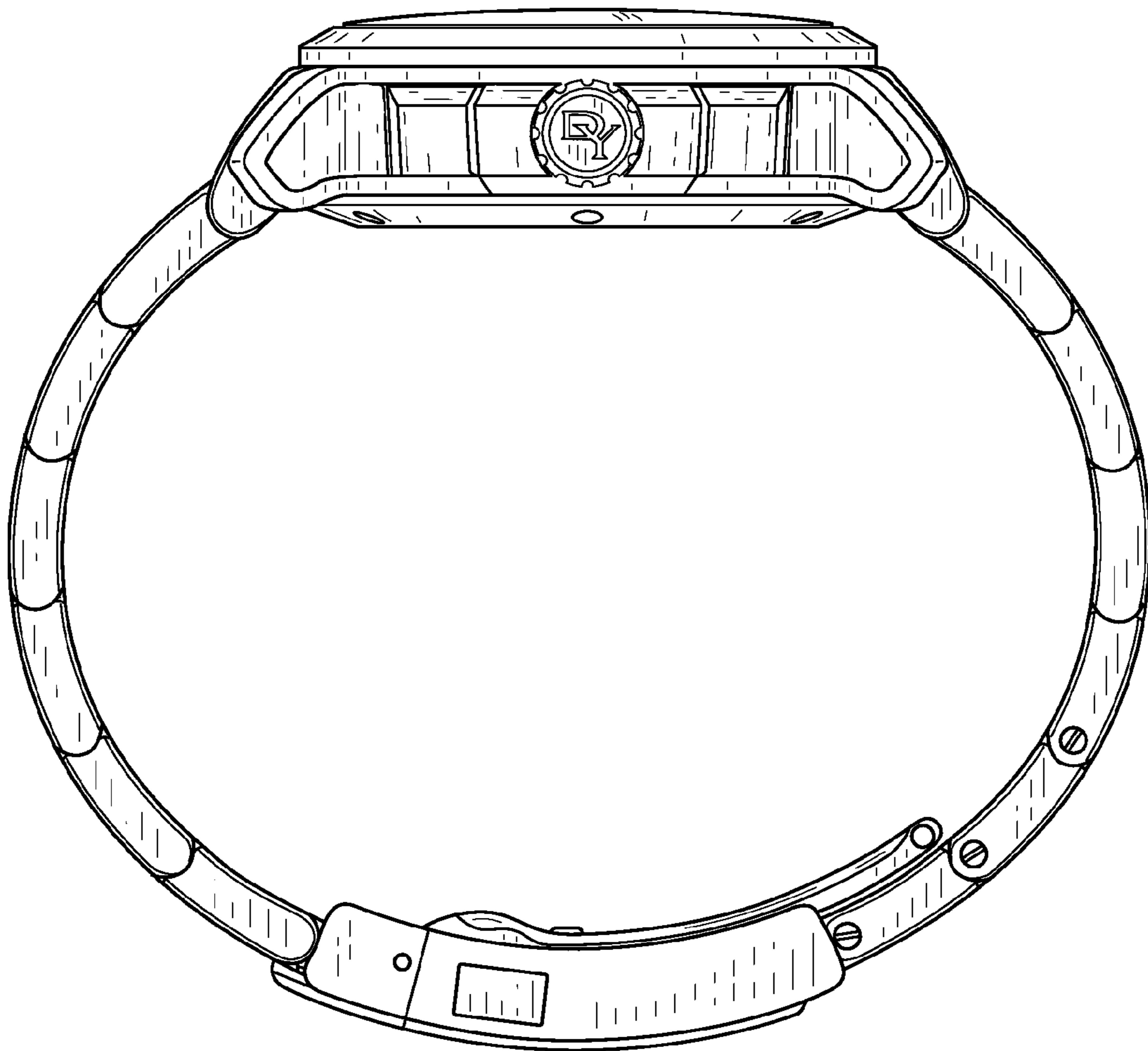


FIG. 6

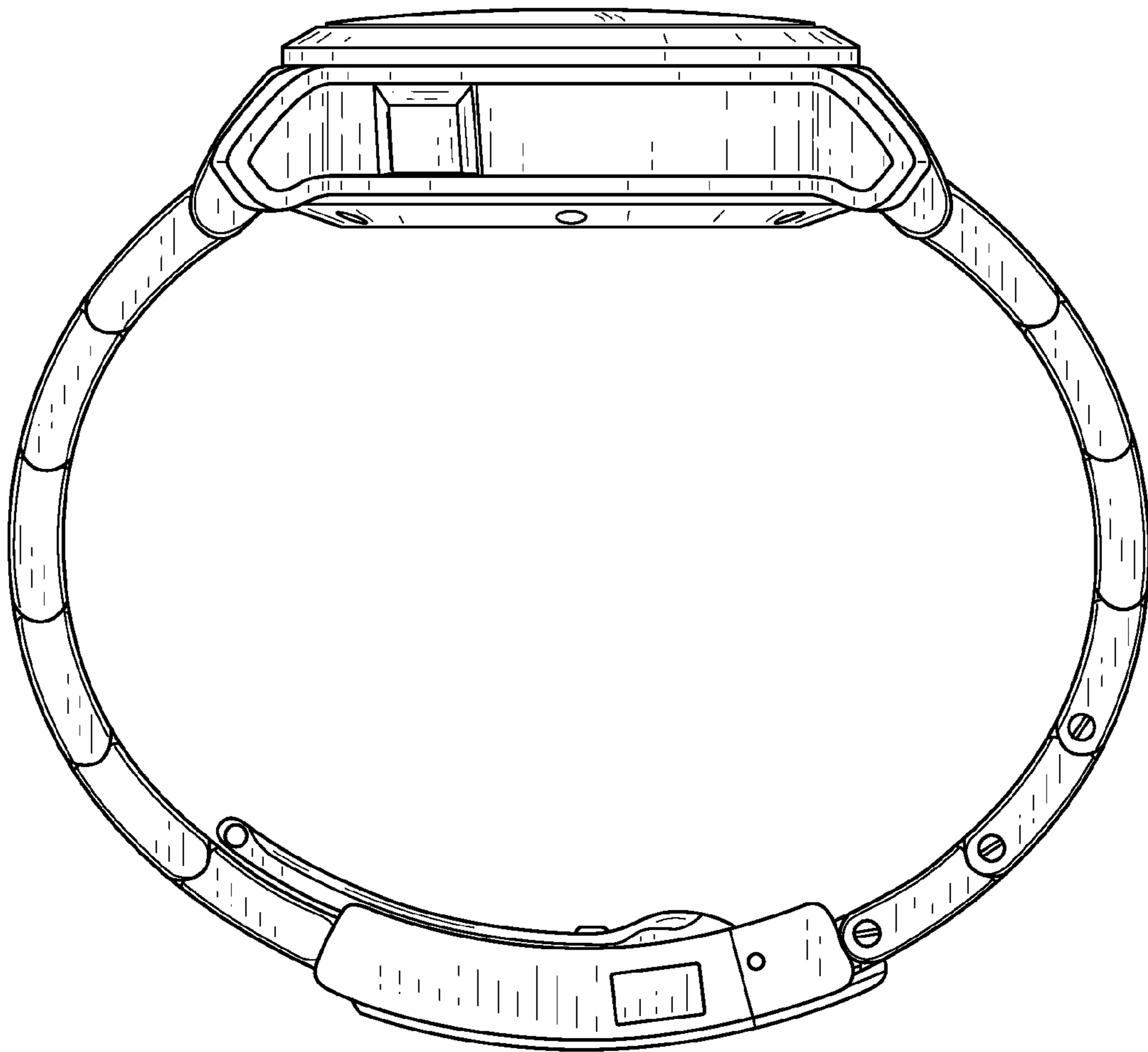


FIG. 7