



US00D659023S

(12) **United States Design Patent**  
**Hsu**

(10) **Patent No.:** **US D659,023 S**

(45) **Date of Patent:** **\*\* May 8, 2012**

(54) **MODULAR FOOD CONTAINMENT SYSTEM**

(75) Inventor: **Sin Fang Fanny Hsu**, Bayside, NY (US)

(73) Assignee: **Panko NYC, LLC**, Corona, NY (US)

(\*\*) Term: **14 Years**

(21) Appl. No.: **29/340,965**

(22) Filed: **Jul. 28, 2009**

(51) **LOC (9) Cl.** ..... **09-03**

(52) **U.S. Cl.** ..... **D9/737**

(58) **Field of Classification Search** ..... D9/737,  
D9/761, 760, 759, 756, 479, 478, 417, 420,  
D9/421, 424-426, 430-433; D7/549, 553.2,  
D7/590, 601, 602, 609, 610, 612, 614, 629,  
D7/542, 545, 550.1, 555, 552.1, 553.1, 553.6,  
D7/554.2, 565, 584, 586, 300, 587, 543, 354,  
D7/356, 360, 376, 380, 647, 553.7, 544, 538,  
D7/566, 646, 553.8, 554.1, 557, 560, 701,  
D7/707; D3/201, 203.1, 203.2, 203.3; D24/224,  
D24/227, 231, 232; 229/123.1, 125.17, 125.35,  
229/131.1, 160, 162.1, 120.2, 120.011; 426/120,  
426/393, 394, 114, 115, 119; 206/633, 820,  
206/45.28, 232, 278, 457, 509, 511, 556,  
206/558, 631; 220/500, 556, 666, 904, 23.83,  
220/574, 212, 657, 659, 755, 771, 573.1,  
220/573.4, 573.5

See application file for complete search history.

(56) **References Cited**

**U.S. PATENT DOCUMENTS**

D195,984 S \* 8/1963 White, Jr. .... D7/543  
D200,359 S \* 2/1965 Cesareo ..... D9/424  
D216,869 S \* 3/1970 Britt ..... D7/553.5  
D242,515 S \* 11/1976 Shumrak ..... D7/553.5  
D254,599 S \* 4/1980 Otto ..... D9/761  
D255,310 S \* 6/1980 Spencer ..... D7/553.5  
D255,527 S \* 6/1980 Seager ..... D7/549  
D271,932 S \* 12/1983 Mosley ..... D7/553.5  
4,807,776 A \* 2/1989 Cortopassi ..... 220/23.83  
D300,496 S \* 4/1989 Childress ..... D7/553.4  
D331,709 S \* 12/1992 Nardin ..... D10/47  
D436,495 S \* 1/2001 Ferrer ..... D7/360

D436,500 S \* 1/2001 Kearney ..... D7/553.5  
D444,058 S \* 6/2001 Hampshire et al. .... D9/761  
D451,347 S \* 12/2001 Kleckauskas et al. .... D7/552.1  
D472,767 S \* 4/2003 Gebhardt et al. .... D7/552.1  
D511,682 S \* 11/2005 Doucette ..... D9/737  
D515,438 S \* 2/2006 Baranowski et al. .... D9/737  
D515,939 S \* 2/2006 Al Sanea ..... D9/737  
D517,405 S \* 3/2006 Snedden et al. .... D9/425  
D551,091 S \* 9/2007 Shahsavarani ..... D9/761  
D553,012 S \* 10/2007 Changpan ..... D9/761  
D560,099 S \* 1/2008 Hatcher ..... D7/554.3  
D563,167 S \* 3/2008 Snedden et al. .... D7/505  
D575,989 S \* 9/2008 McFarland ..... D7/554.3  
D577,960 S \* 10/2008 Ersan ..... D7/541  
D596,485 S \* 7/2009 Andre et al. .... D9/737  
D596,499 S \* 7/2009 Willis et al. .... D9/761  
D597,379 S \* 8/2009 Changpan ..... D7/542  
D600,502 S \* 9/2009 Paslawski ..... D7/548  
D607,284 S \* 1/2010 Ho ..... D7/629  
D608,150 S \* 1/2010 Lilly ..... D7/552.1  
D620,761 S \* 8/2010 Boudreau ..... D7/549  
D629,310 S \* 12/2010 Tran ..... D9/737  
D643,309 S \* 8/2011 Birchmeier et al. .... D9/759

**OTHER PUBLICATIONS**

“Superior Products 2009 Foodservice Equipment & Supplies Catalog”, St. Paul, MN 2009, p. 203.

\* cited by examiner

*Primary Examiner* — Mark Goodwin

(74) *Attorney, Agent, or Firm* — Fitch, Even, Tabin & Flannery, LLP

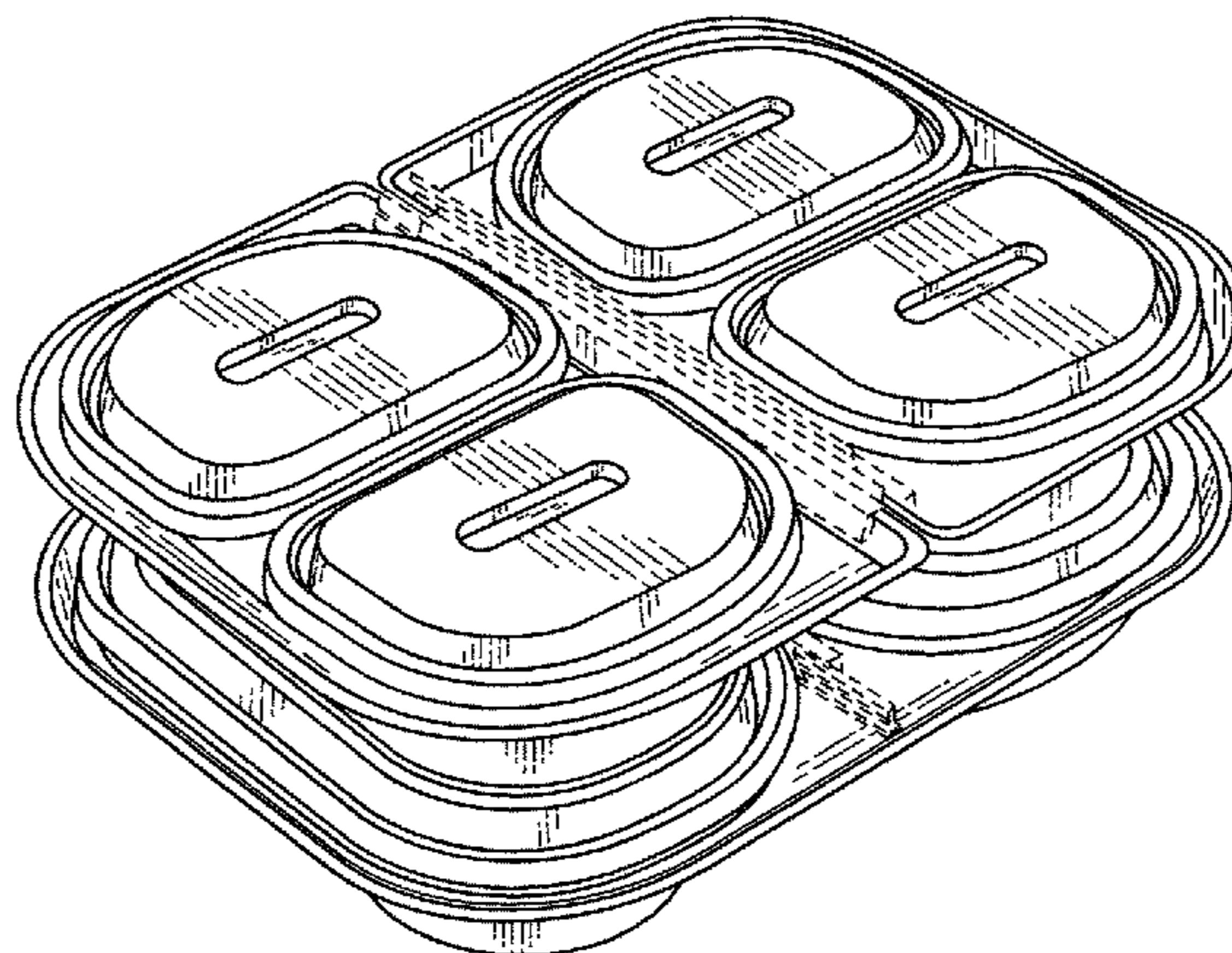
(57) **CLAIM**

An ornamental design for a modular food containment system, as shown and described in the accompanying drawings.

**DESCRIPTION**

A portion of the disclosure document contains material which is subject to copyright protection. The copyright owner has no objection to the facsimile reproduction by anyone of the patent document or the patent disclosure as it appears in the United States Patent and Trademark Office patent file or records, but otherwise reserves all copyrights whatsoever.

FIG. 1 is a perspective view of a modular food containment system, having a full tray with an integrally-formed chopstick holder, supporting one entree container and two side dish



containers, as well as two half trays, each half tray supporting two side dish containers, showing my new design in fully assembled condition, the broken lines showing throughout the entire disclosure form no part of the claimed design.

FIG. 2 is an exploded perspective view thereof;

FIG. 3 is a front view thereof;

FIG. 4 is a back view thereof;

FIG. 5 is a side view thereof;

FIG. 6 is an opposite side view thereof;

FIG. 7 is a top view thereof;

FIG. 8 is a bottom view thereof;

FIG. 9 is a front perspective view of a full tray with an integrally-formed chopstick holder and an integrally-formed chopstick stand, supporting one entrée container and two side dish containers showing my new design in a partially unassembled condition for ease of illustration;

FIG. 10 is a front view thereof;

FIG. 11 is a back view thereof;

FIG. 12 is a side view thereof;

FIG. 13 is an opposite side view thereof;

FIG. 14 is a top view thereof;

FIG. 15 is a bottom view thereof;

FIG. 16 is a front perspective view of a half tray, supporting two side dish containers showing my new design in a partially unassembled condition for ease of illustration;

FIG. 17 is a front view thereof;

FIG. 18 is a back view thereof;

FIG. 19 is a side view thereof;

FIG. 20 is an opposite side view thereof;

FIG. 21 is a top view thereof;

FIG. 22 is a bottom view thereof;

FIG. 23 is a front perspective view of an entrée container lid showing my new design in a partially unassembled condition for ease of illustration;

FIG. 24 is a front view thereof;

FIG. 25 is a back view thereof;

FIG. 26 is a side view thereof;

FIG. 27 is an opposite side view thereof;

FIG. 28 is a top view thereof;

FIG. 29 is a bottom view thereof;

FIG. 30 is a front perspective view of an entrée container body showing my new design in a partially unassembled condition for ease of illustration;

FIG. 31 is a front view thereof;

FIG. 32 is a back view thereof;

FIG. 33 is a side view thereof;

FIG. 34 is an opposite side view thereof;

FIG. 35 is a top view thereof;

FIG. 36 is a bottom view thereof;

FIG. 37 is a front perspective view of a side dish container lid showing my new design in a partially unassembled condition for ease of illustration;

FIG. 38 is a front view thereof;

FIG. 39 is a back view thereof;

FIG. 40 is a side view thereof;

FIG. 41 is an opposite side view thereof;

FIG. 42 is a top view thereof;

FIG. 43 is a bottom view thereof;

FIG. 44 is a front perspective view of a side dish container body showing my new design in a partially unassembled condition for ease of illustration;

FIG. 45 is a front view thereof;

FIG. 46 is a back view thereof;

FIG. 47 is a side view thereof;

FIG. 48 is an opposite side view thereof;

FIG. 49 is a top view thereof;

FIG. 50 is a bottom view thereof;

FIG. 51 is a front perspective view of a side dish container body showing my new design in a partially unassembled condition for ease of illustration;

FIG. 52 is a front view thereof;

FIG. 53 is a back view thereof;

FIG. 54 is a side view thereof;

FIG. 55 is an opposite side view thereof;

FIG. 56 is a top view thereof;

FIG. 57 is a bottom view thereof;

FIG. 58 is a front view of a stacked plurality of full trays of FIG. 51;

FIG. 59 is a side view of a stacked plurality of full trays of FIG. 51;

FIG. 60 is a front perspective view of a half tray showing my new design in a partially unassembled condition for ease of illustration;

FIG. 61 is a front view thereof;

FIG. 62 is a back view thereof;

FIG. 63 is a side view thereof;

FIG. 64 is an opposite side view thereof;

FIG. 65 is a top view thereof;

FIG. 66 is a bottom view thereof;

FIG. 67 is a front view of a stacked plurality of full trays of FIG. 60; and,

FIG. 68 is a side view of a stacked plurality of full trays of FIG. 60.

The broken line showing of additional articles in FIGS. 57, 58, 66, and 67 is included for the purpose of illustrating environmental use and forms no part of the claimed design.

**1 Claim, 24 Drawing Sheets**

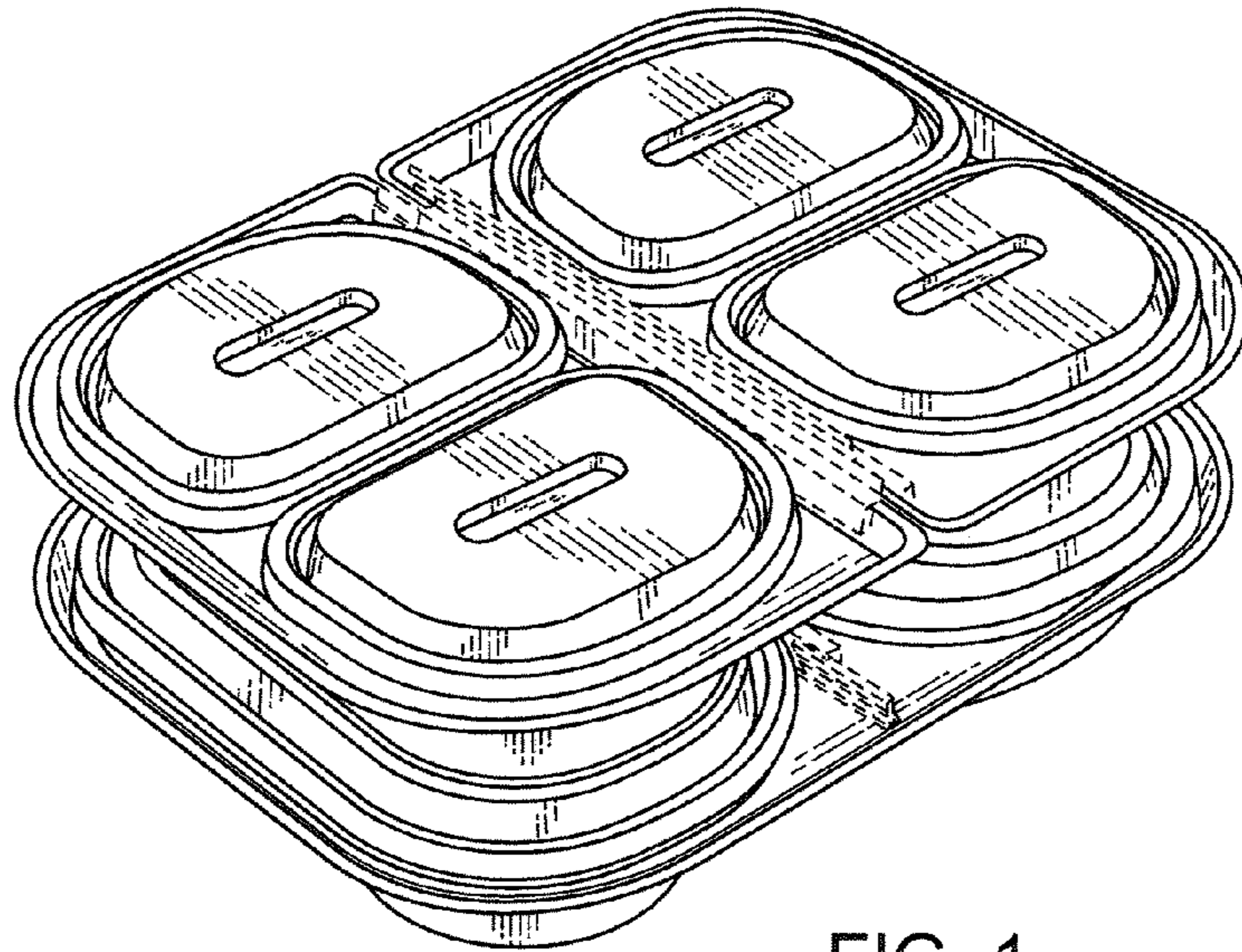


FIG. 1

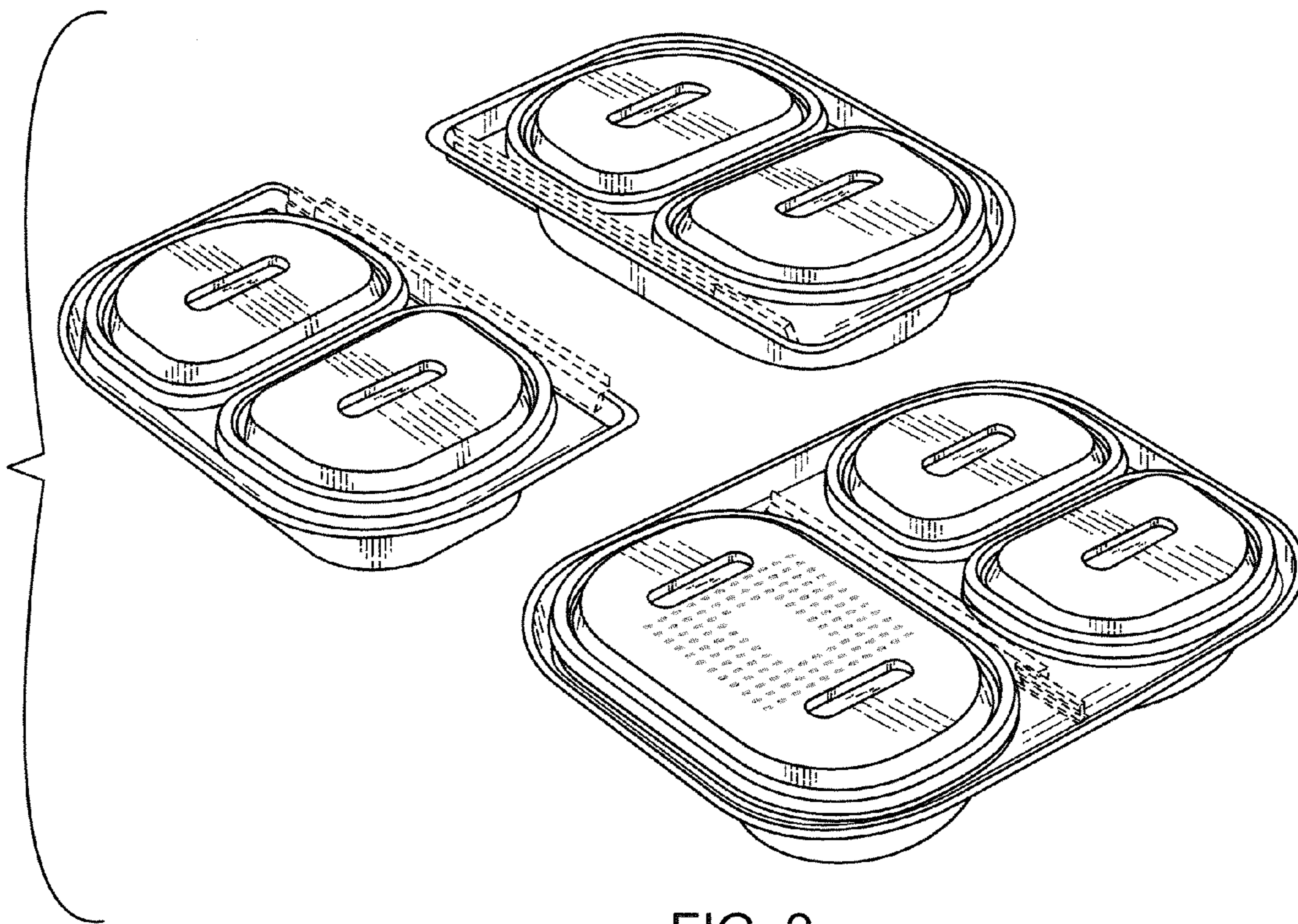


FIG. 2

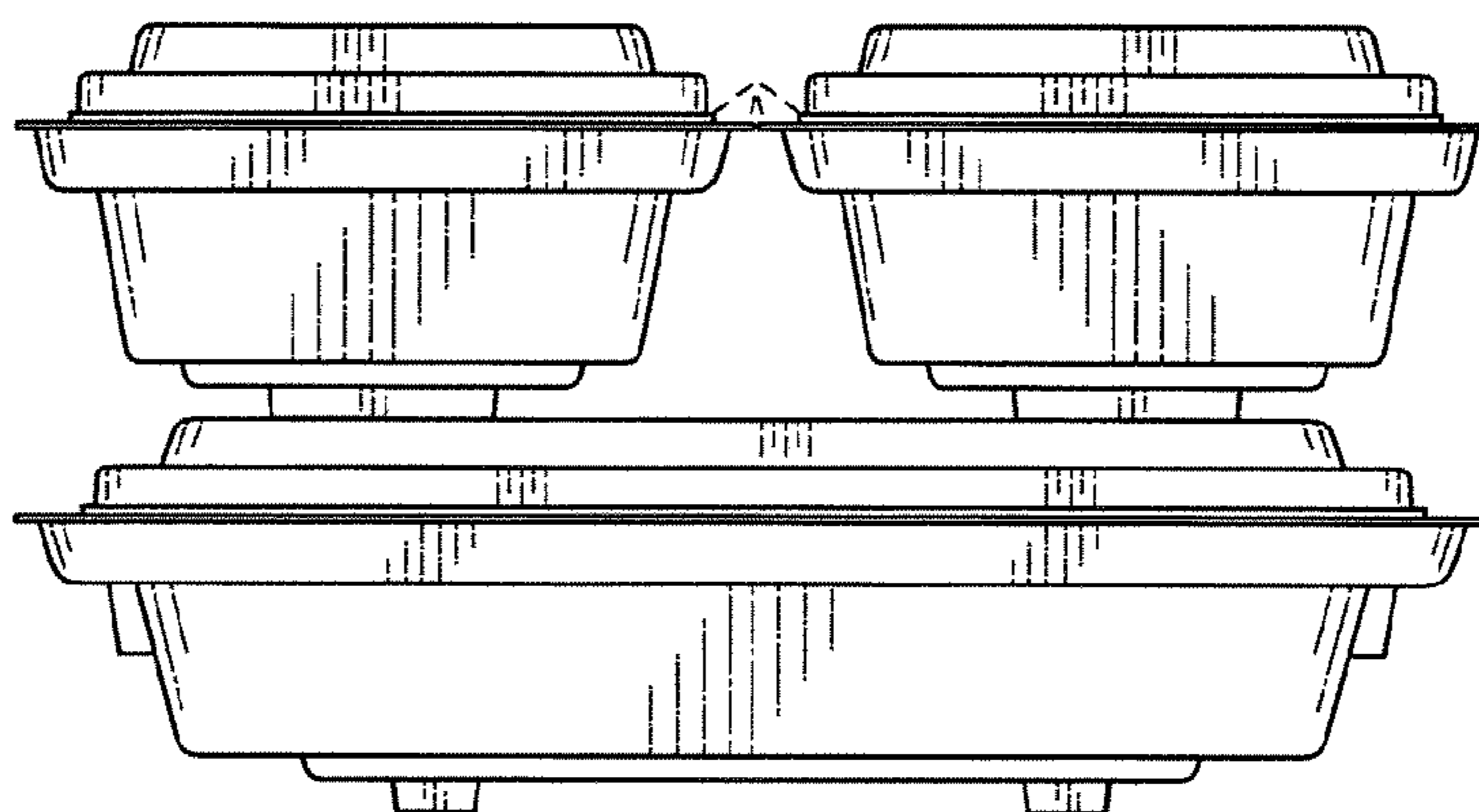


FIG. 3

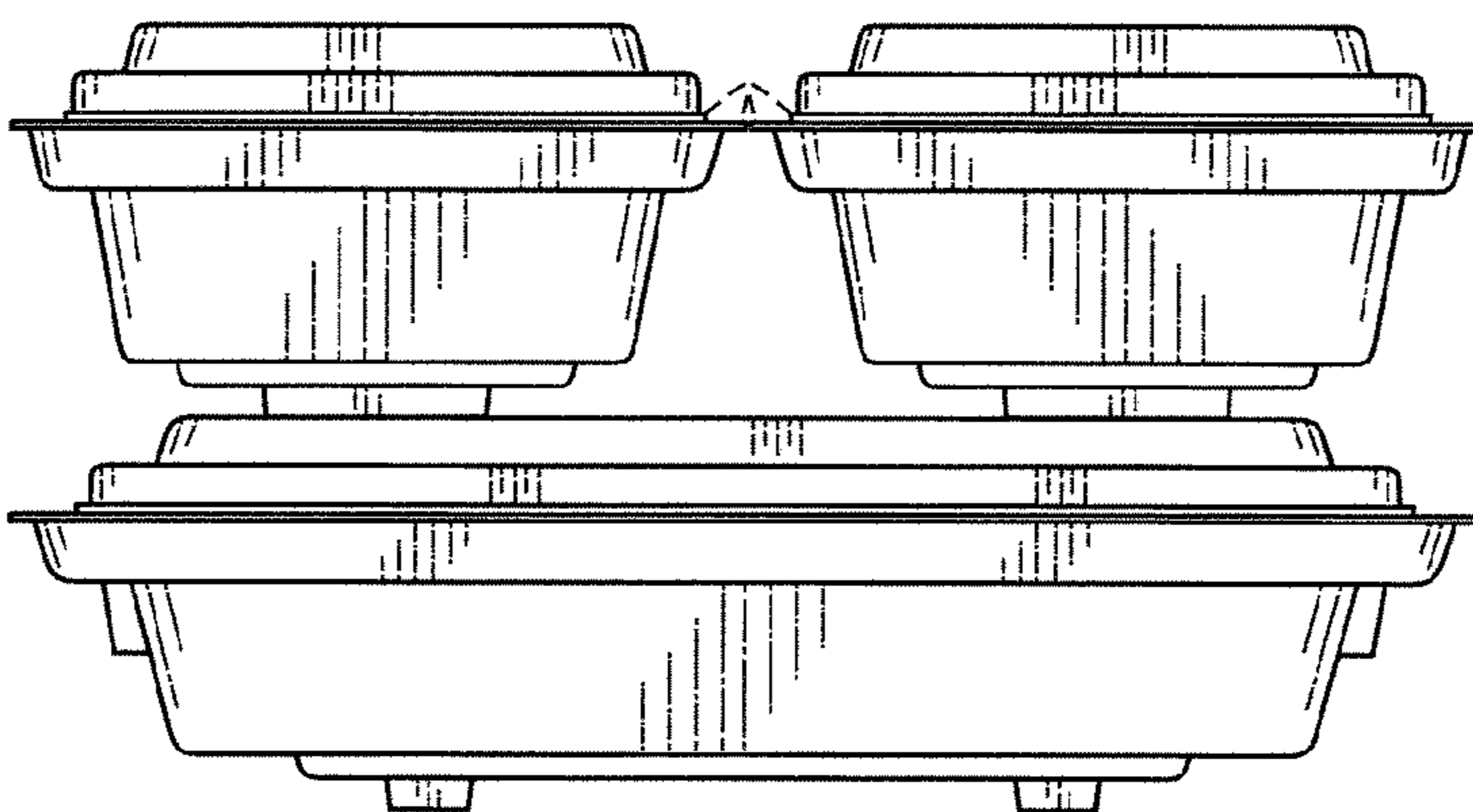


FIG. 4

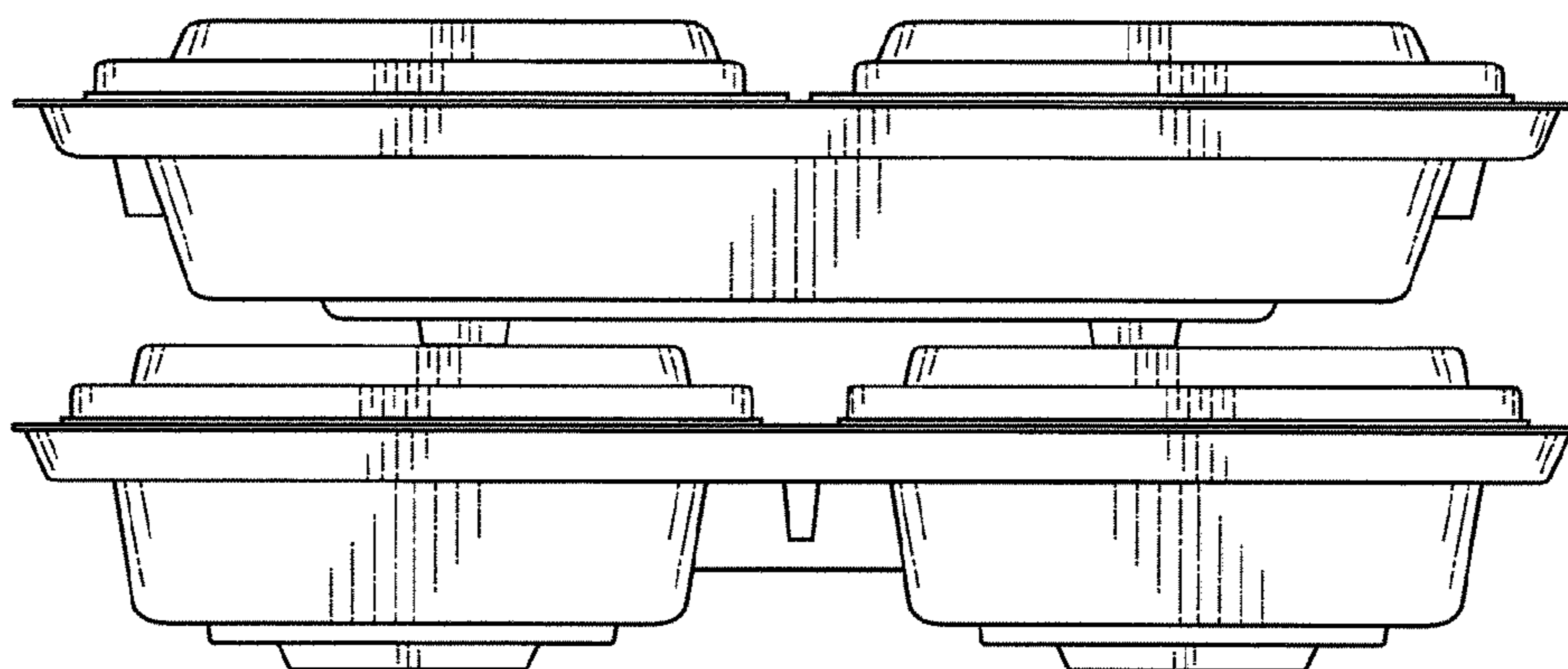


FIG. 5

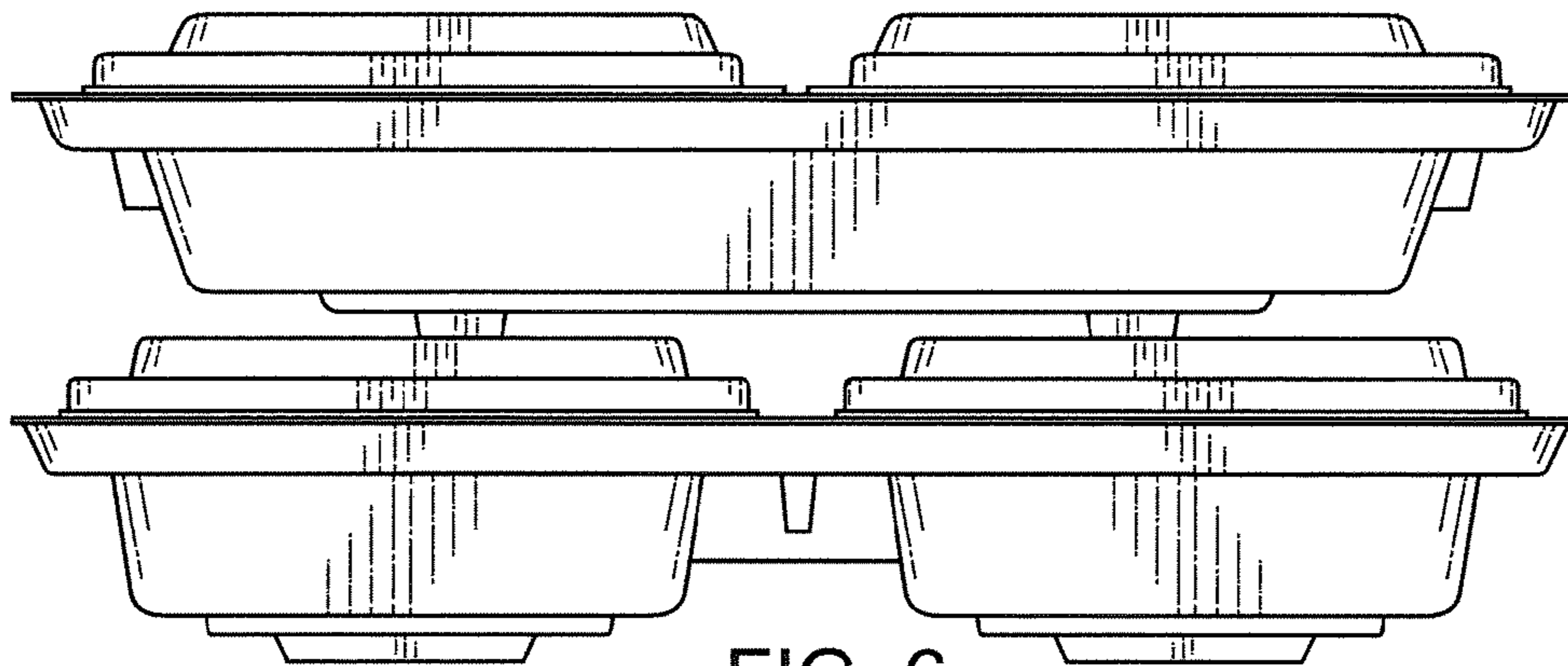


FIG. 6

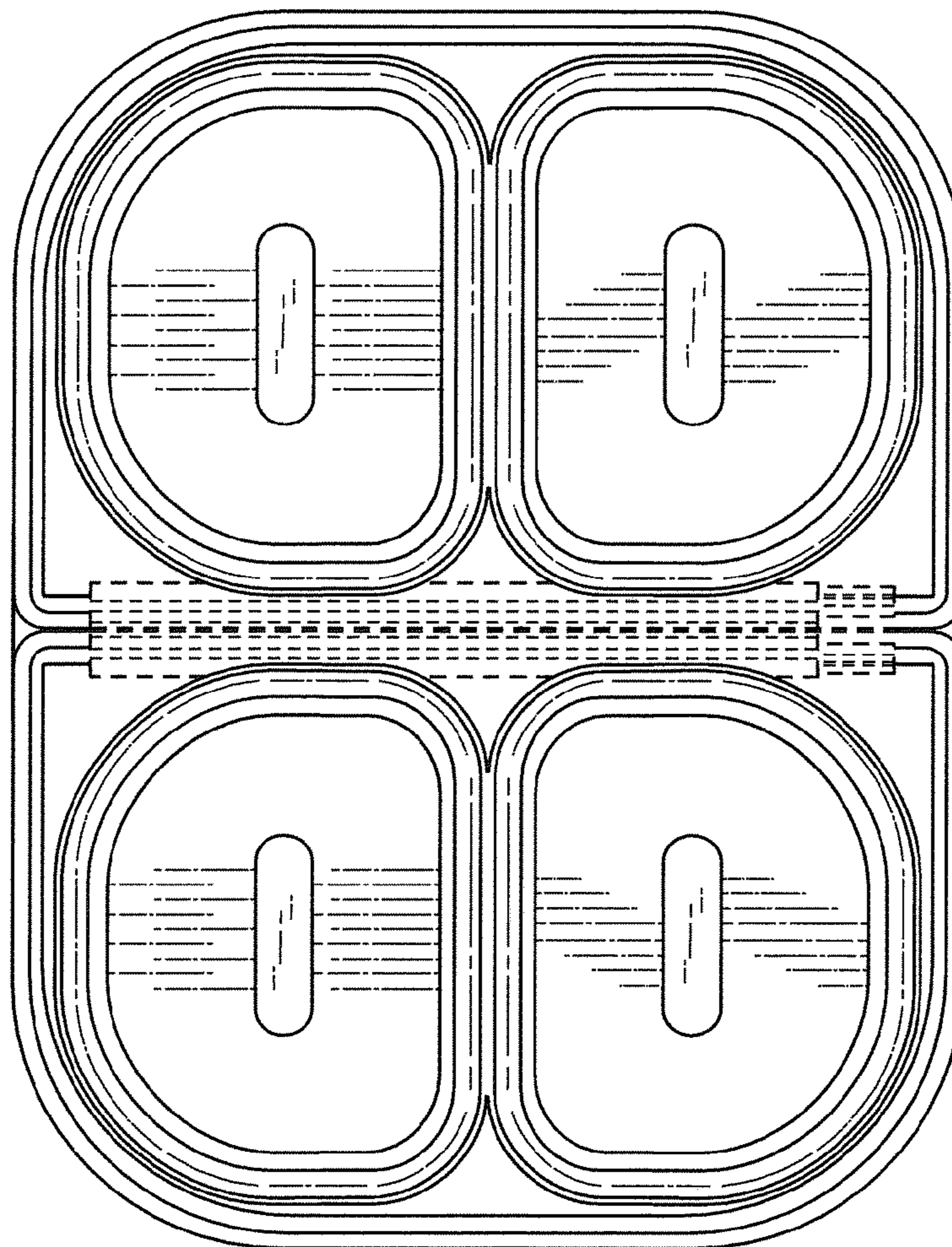


FIG. 7

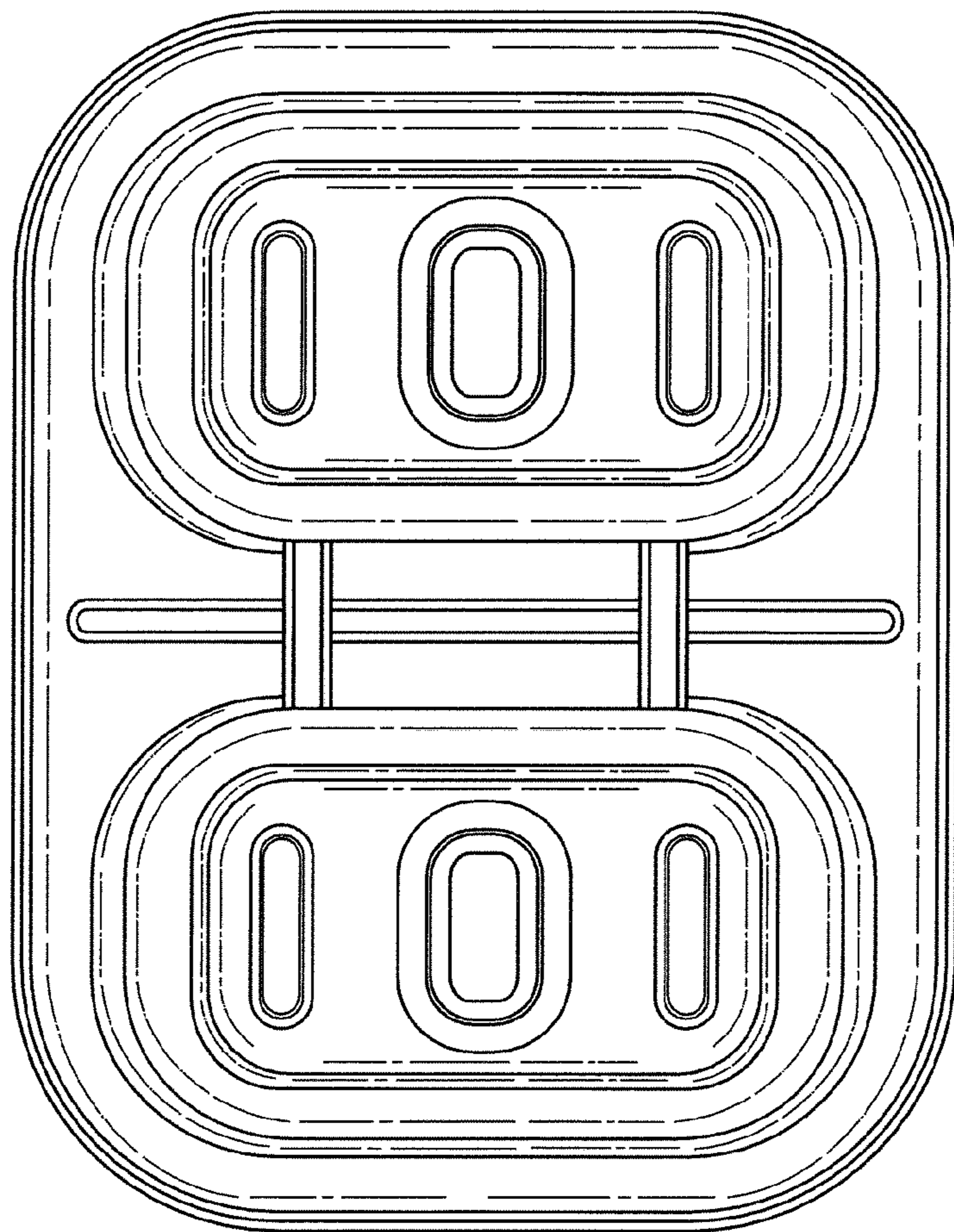


FIG. 8

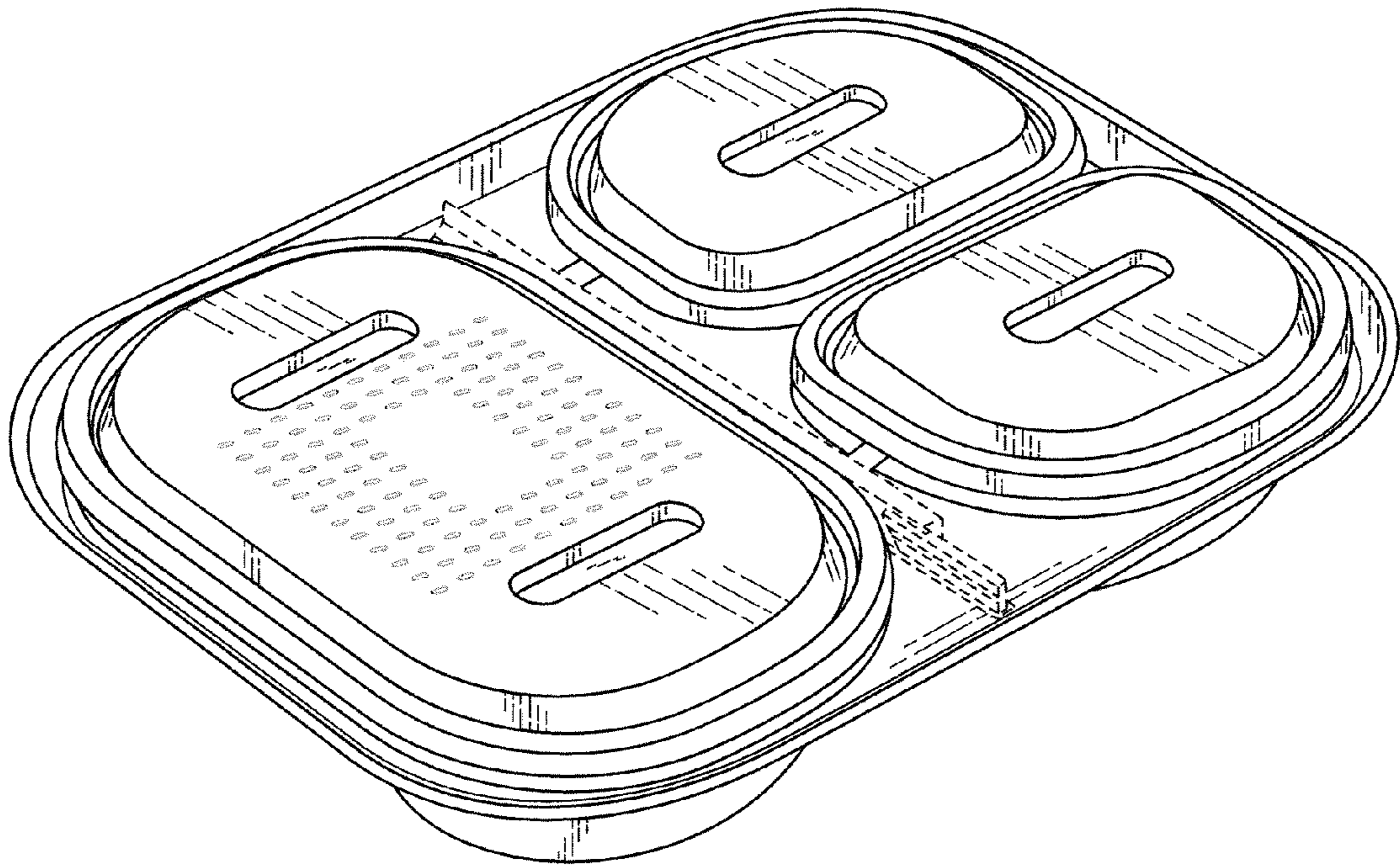


FIG. 9

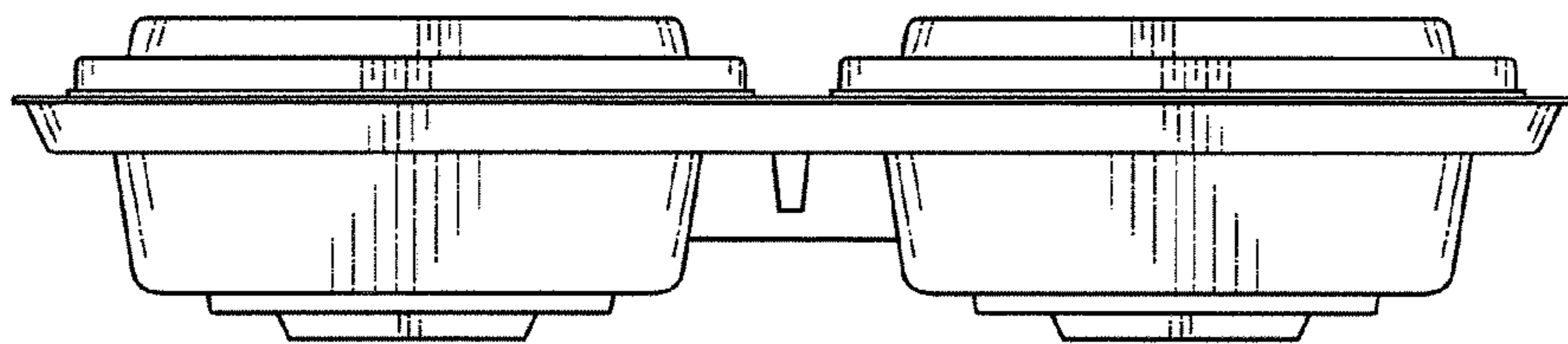


FIG. 10

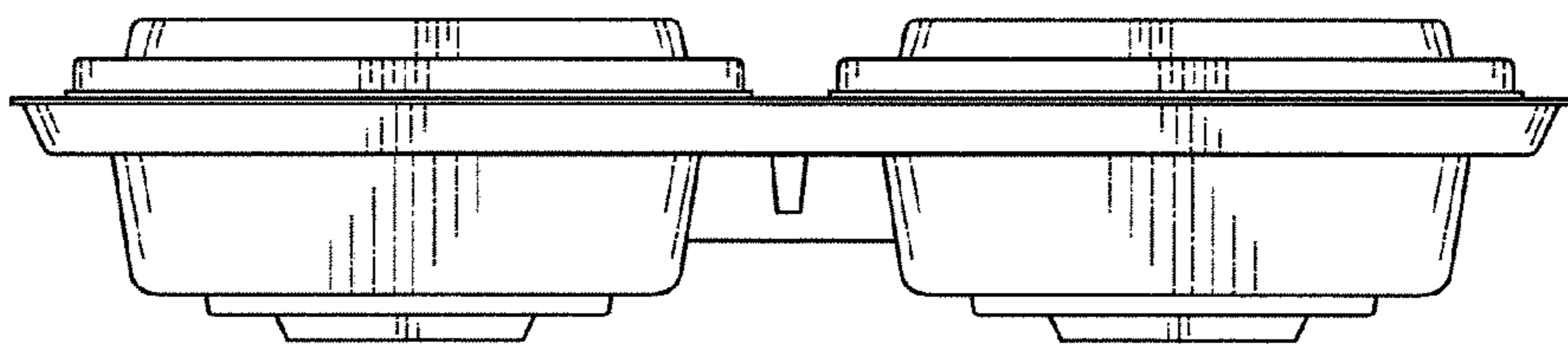


FIG. 11

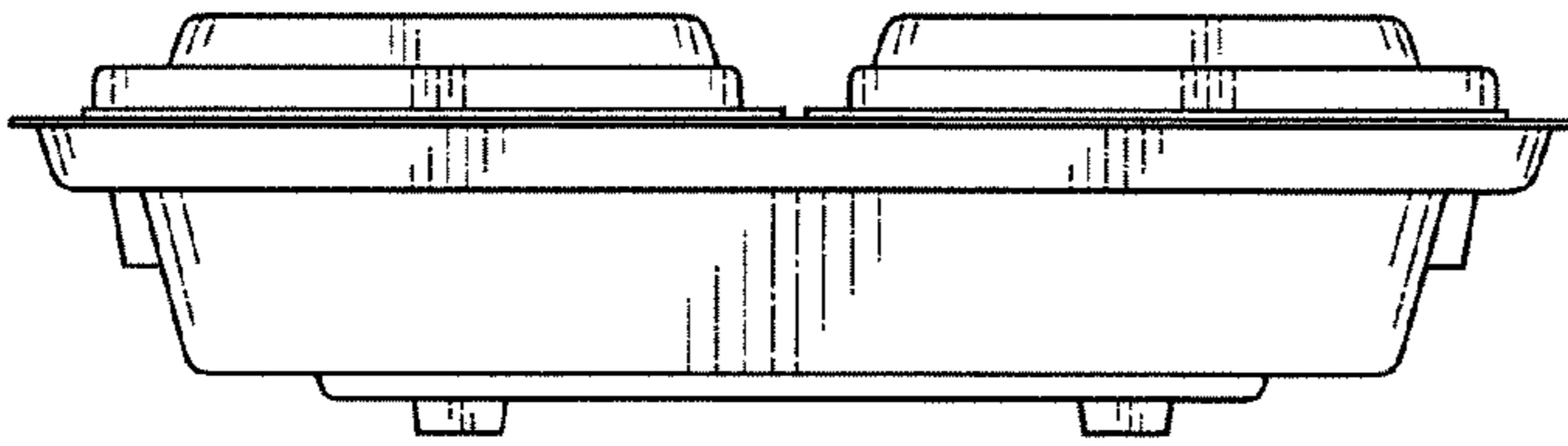


FIG. 12

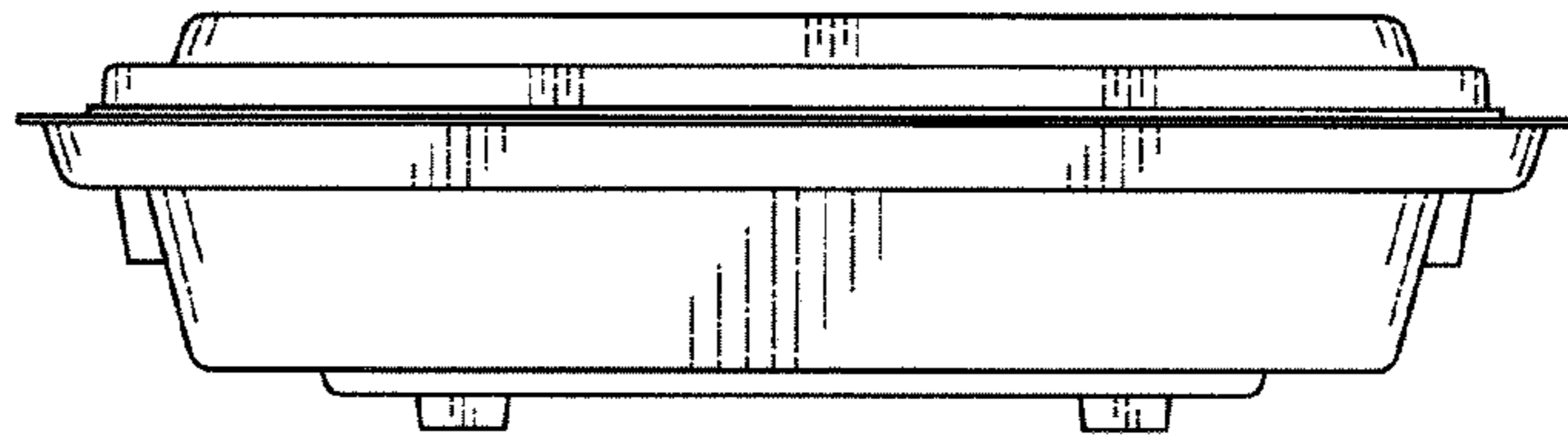


FIG. 13

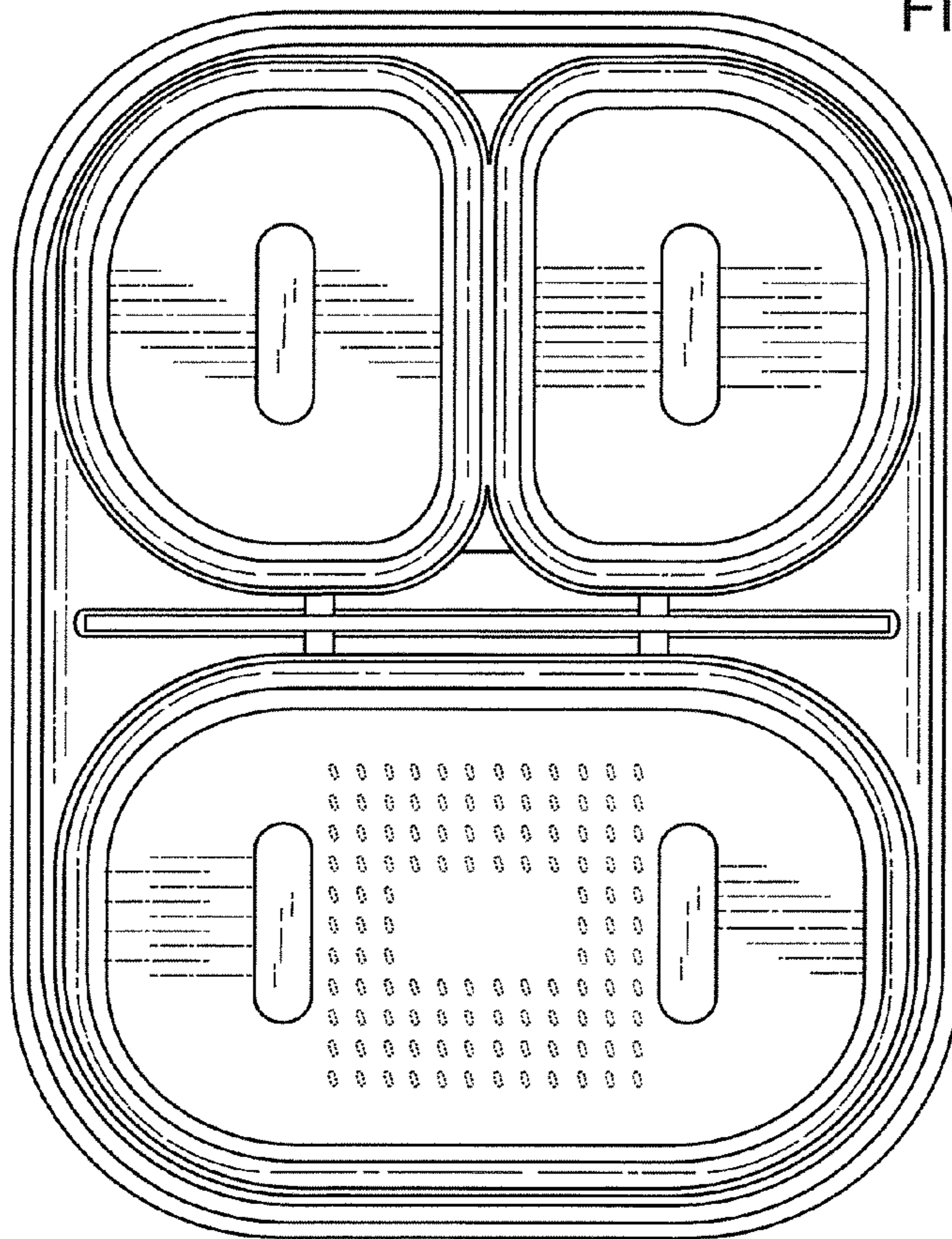


FIG. 14



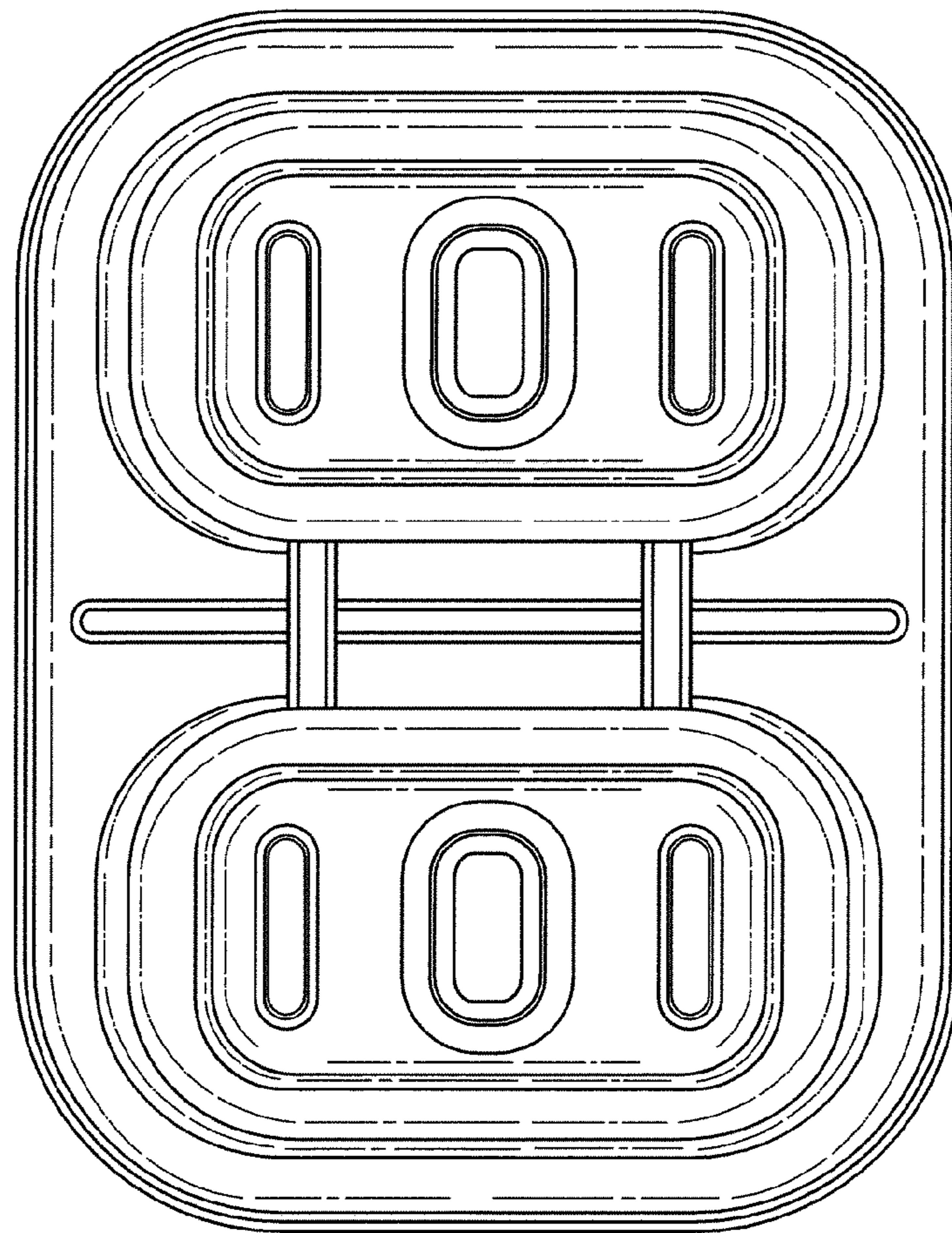


FIG. 15

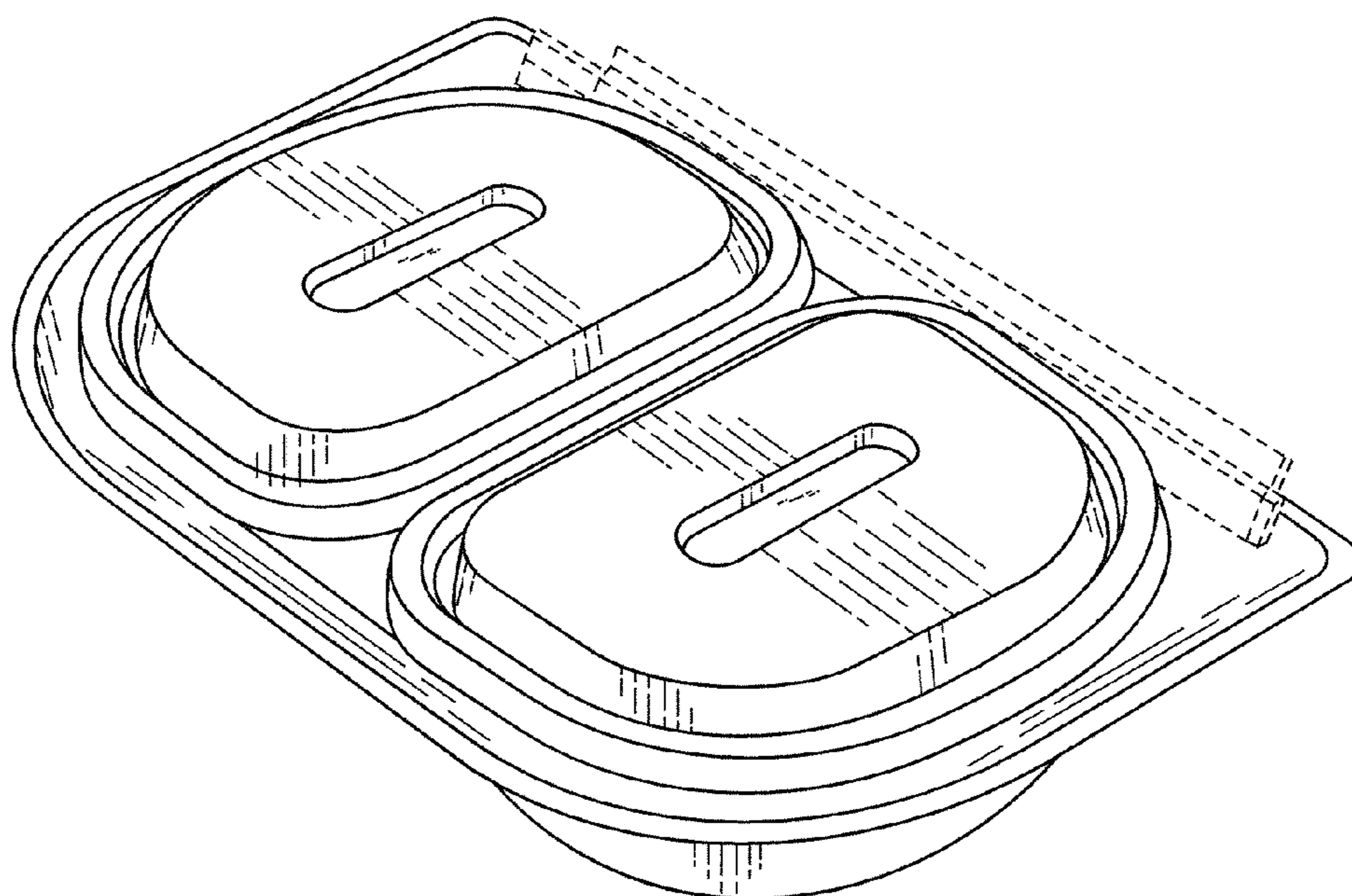


FIG. 16

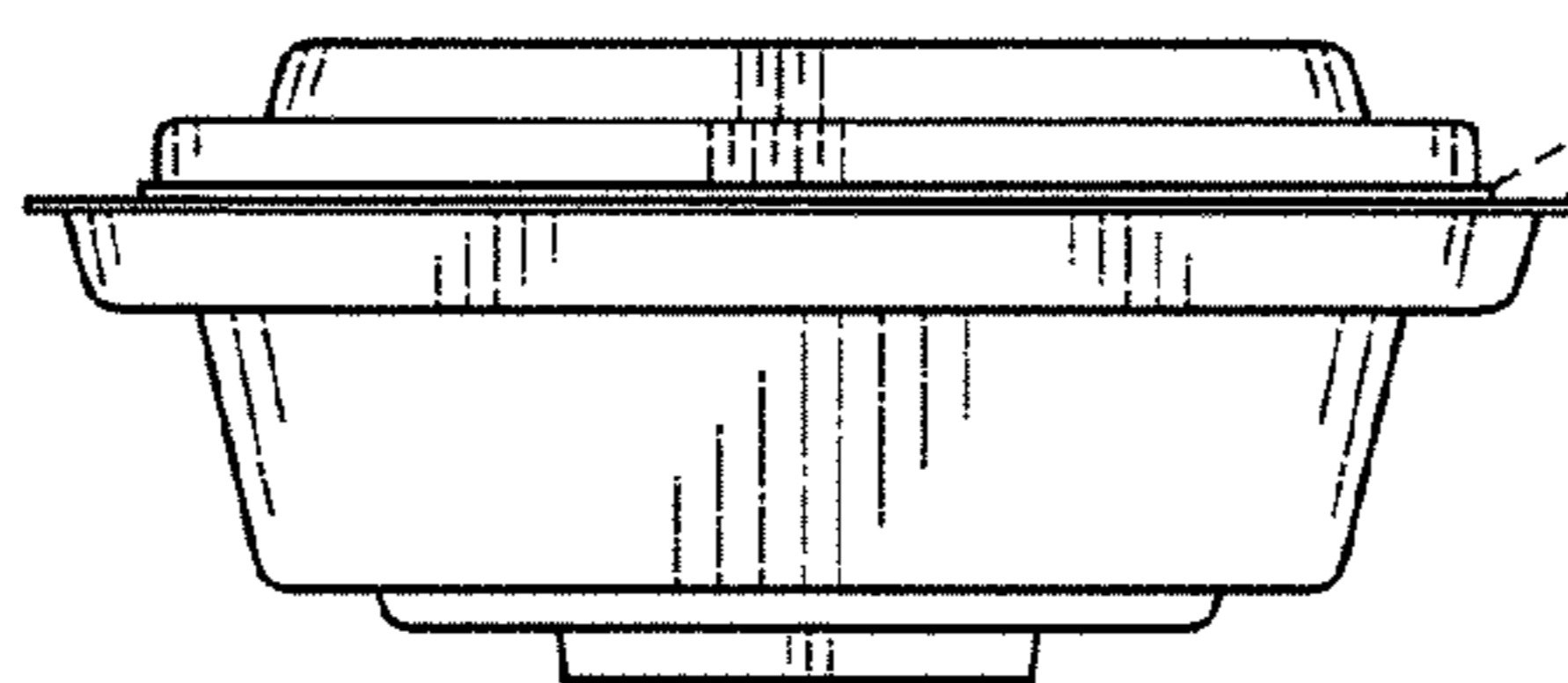


FIG. 17

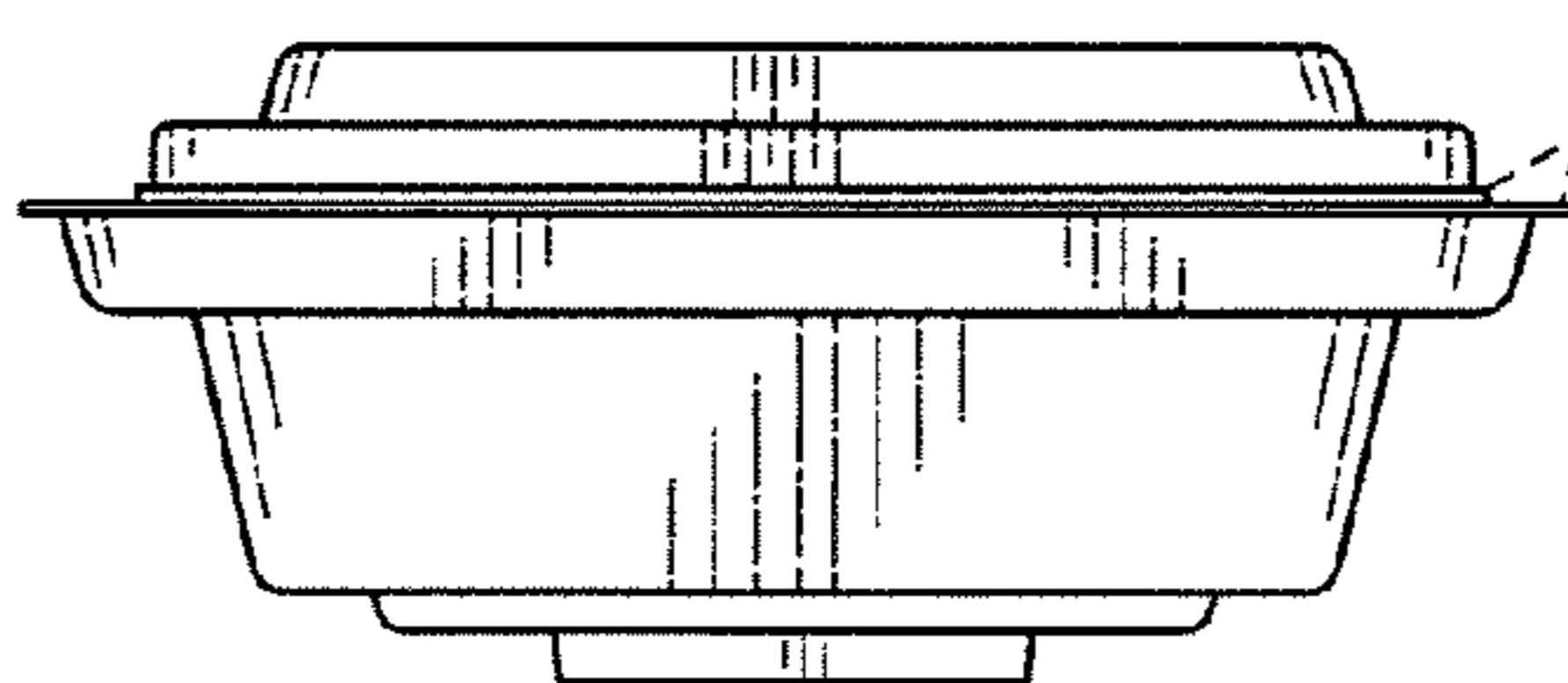


FIG. 18

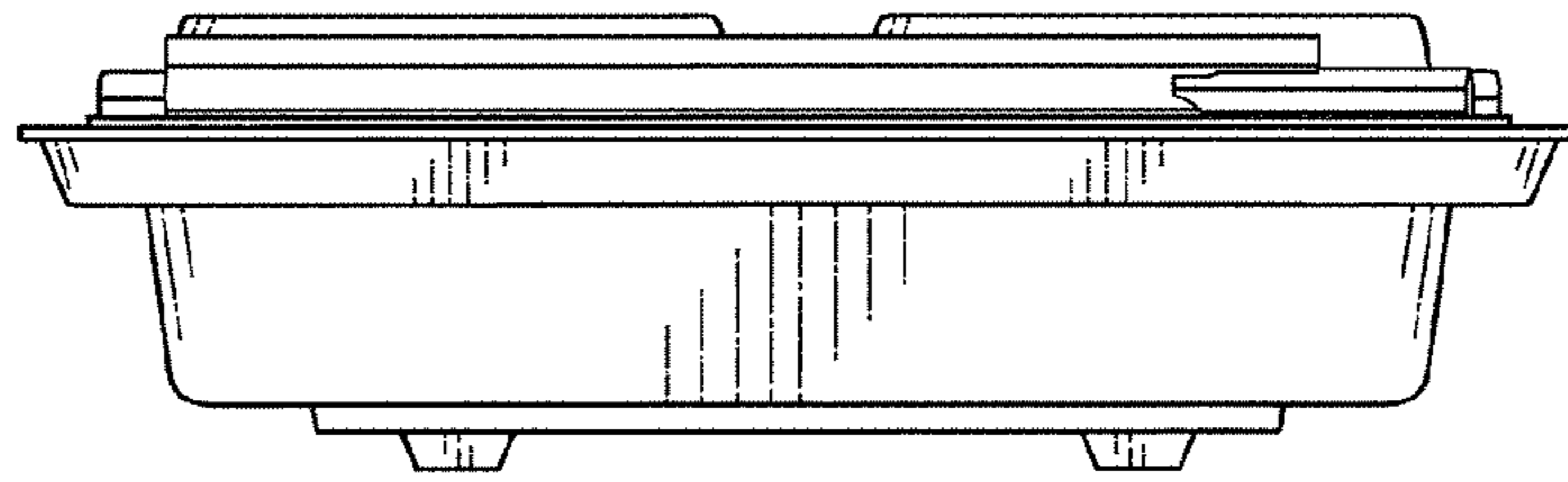


FIG. 19

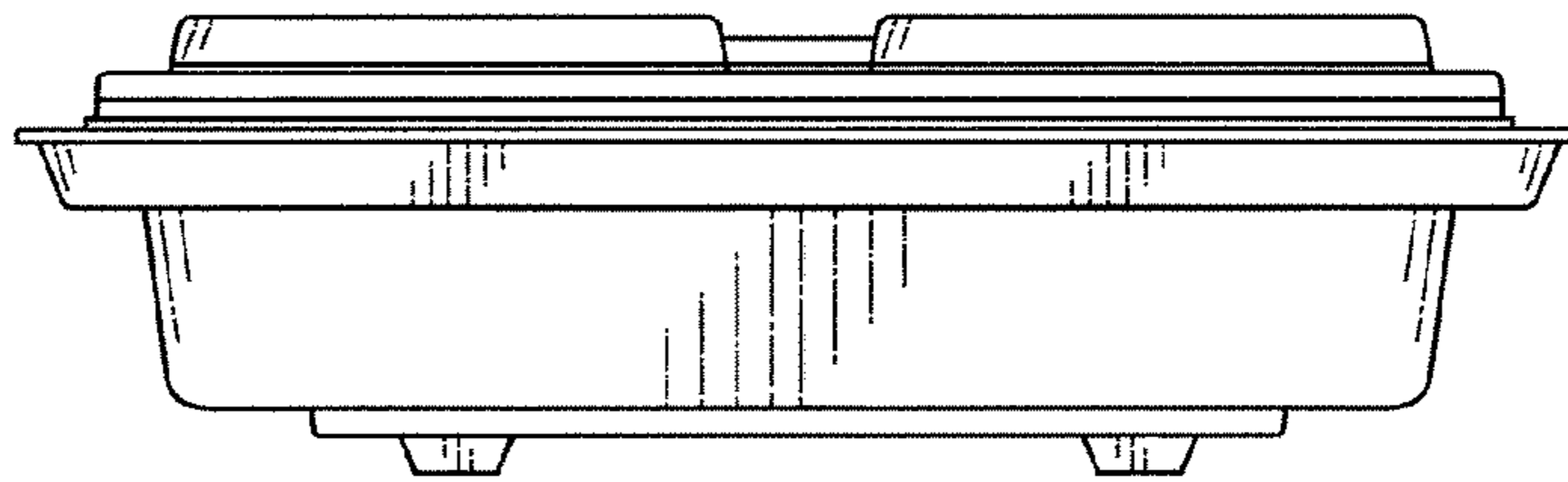


FIG. 20

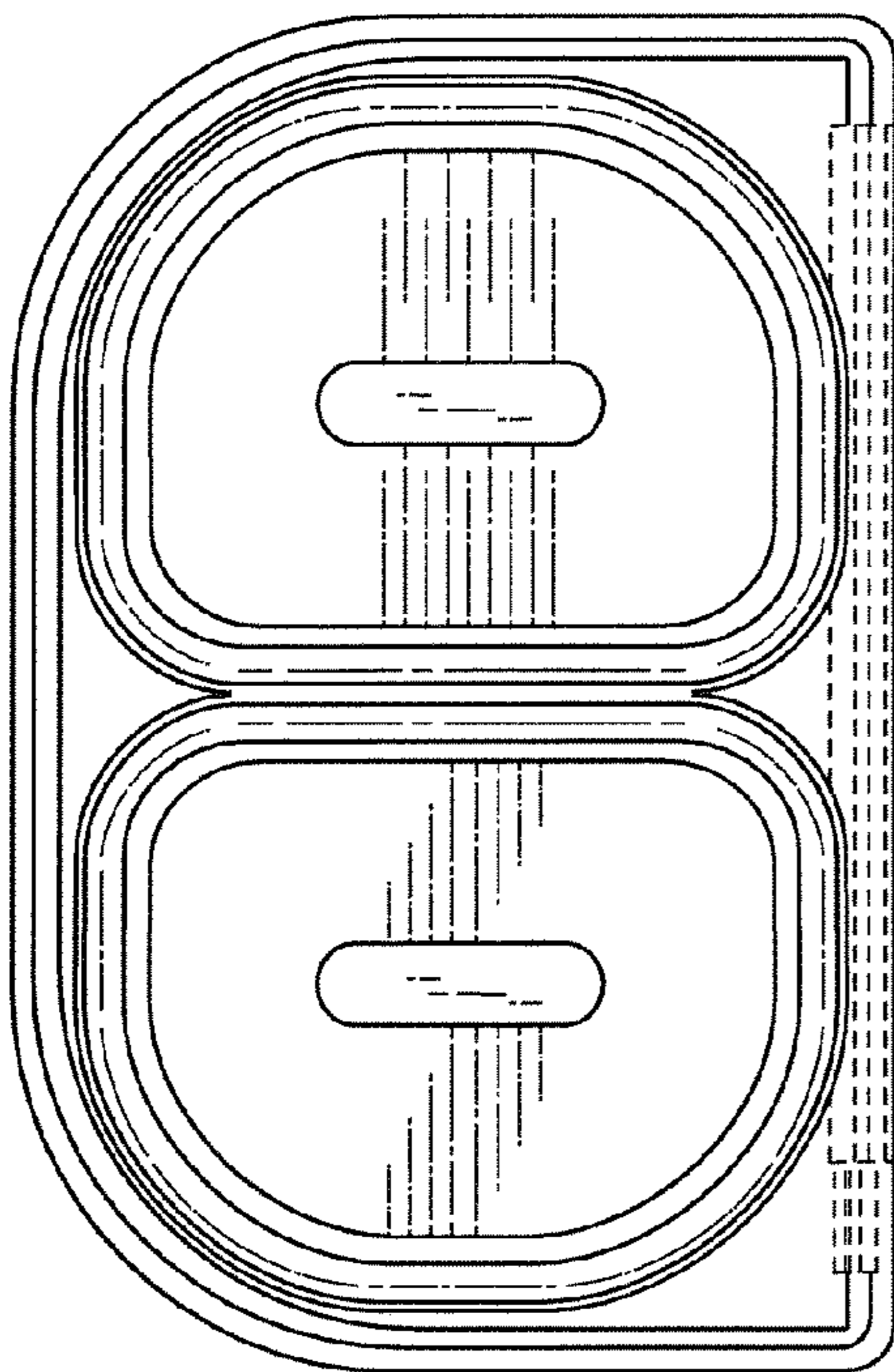


FIG. 21

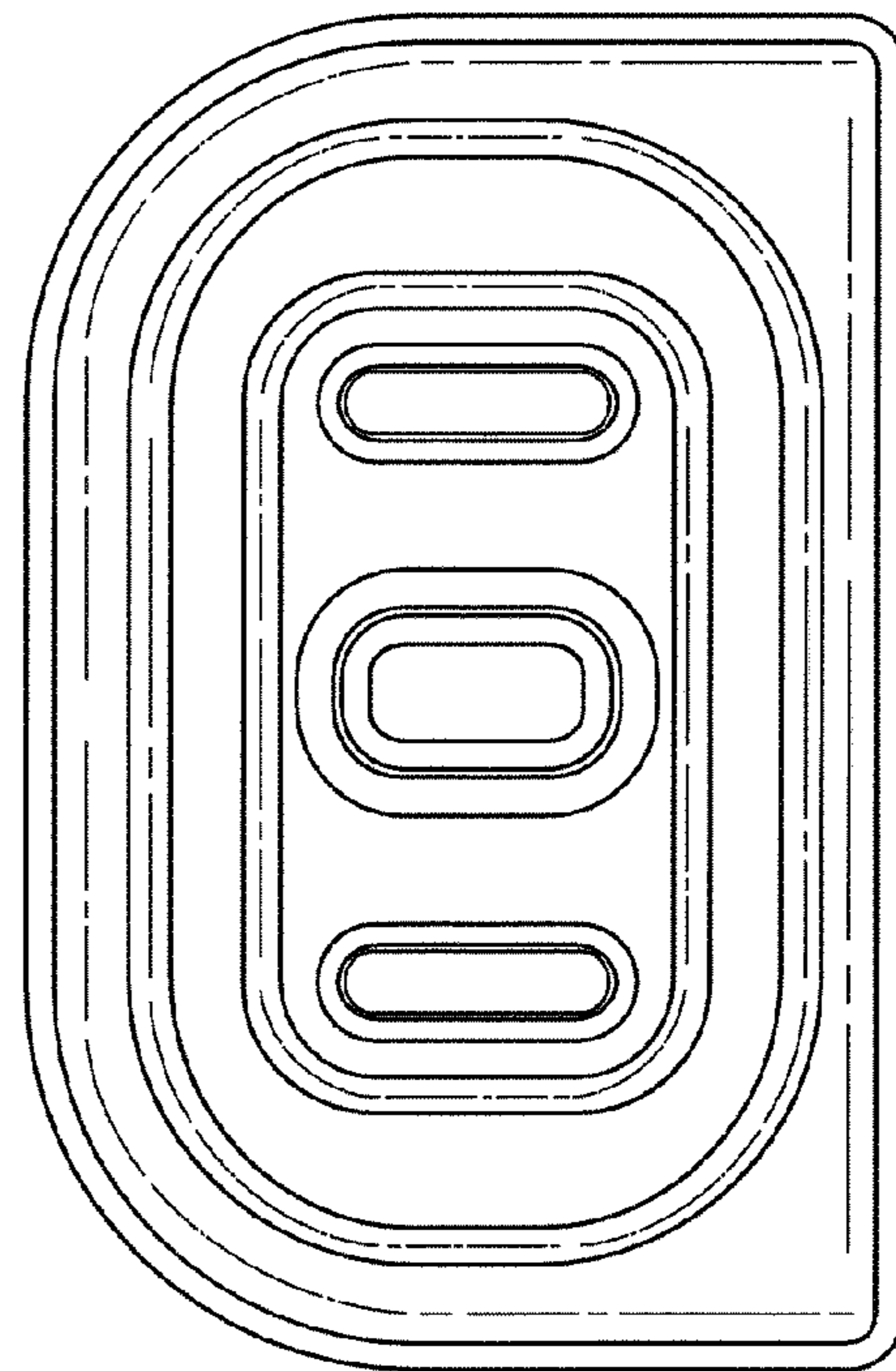


FIG. 22

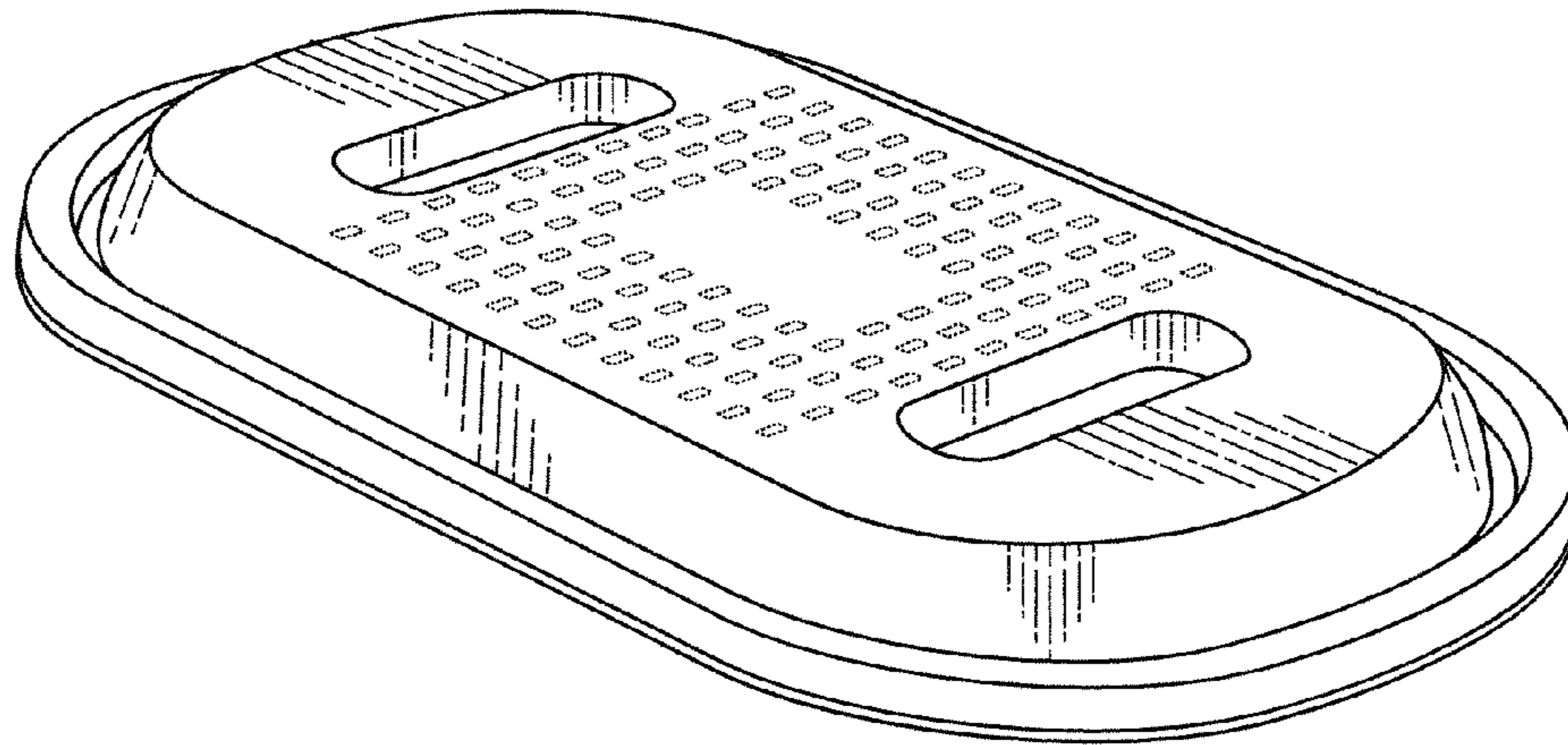


FIG. 23

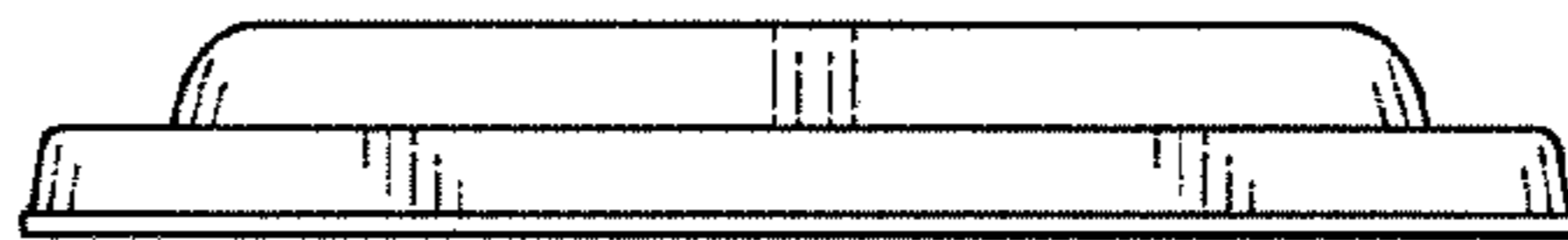


FIG. 24

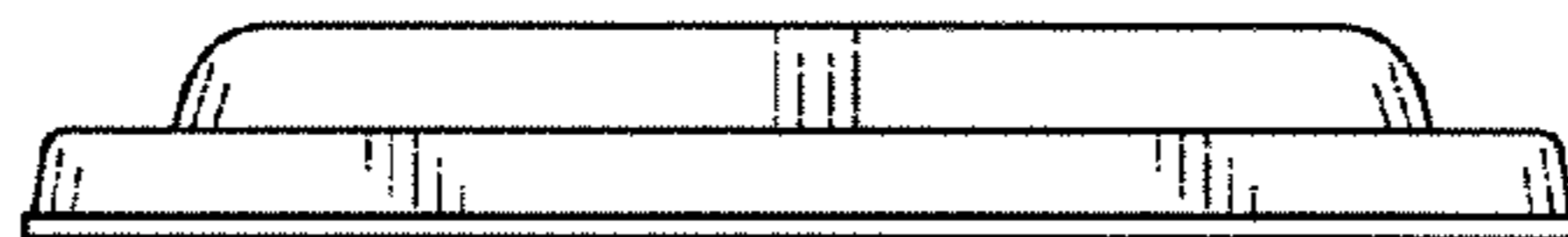


FIG. 25

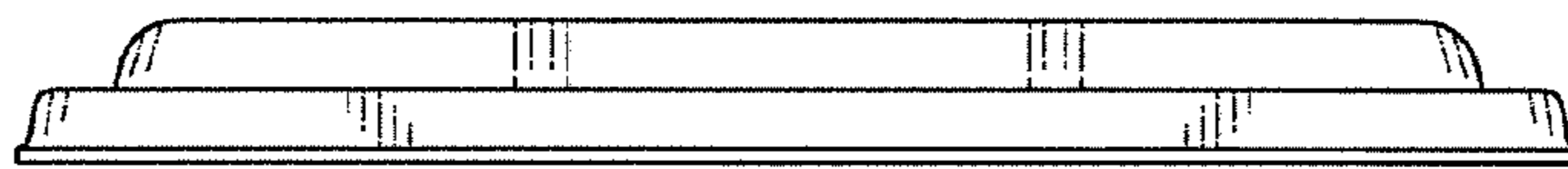


FIG. 26



FIG. 27

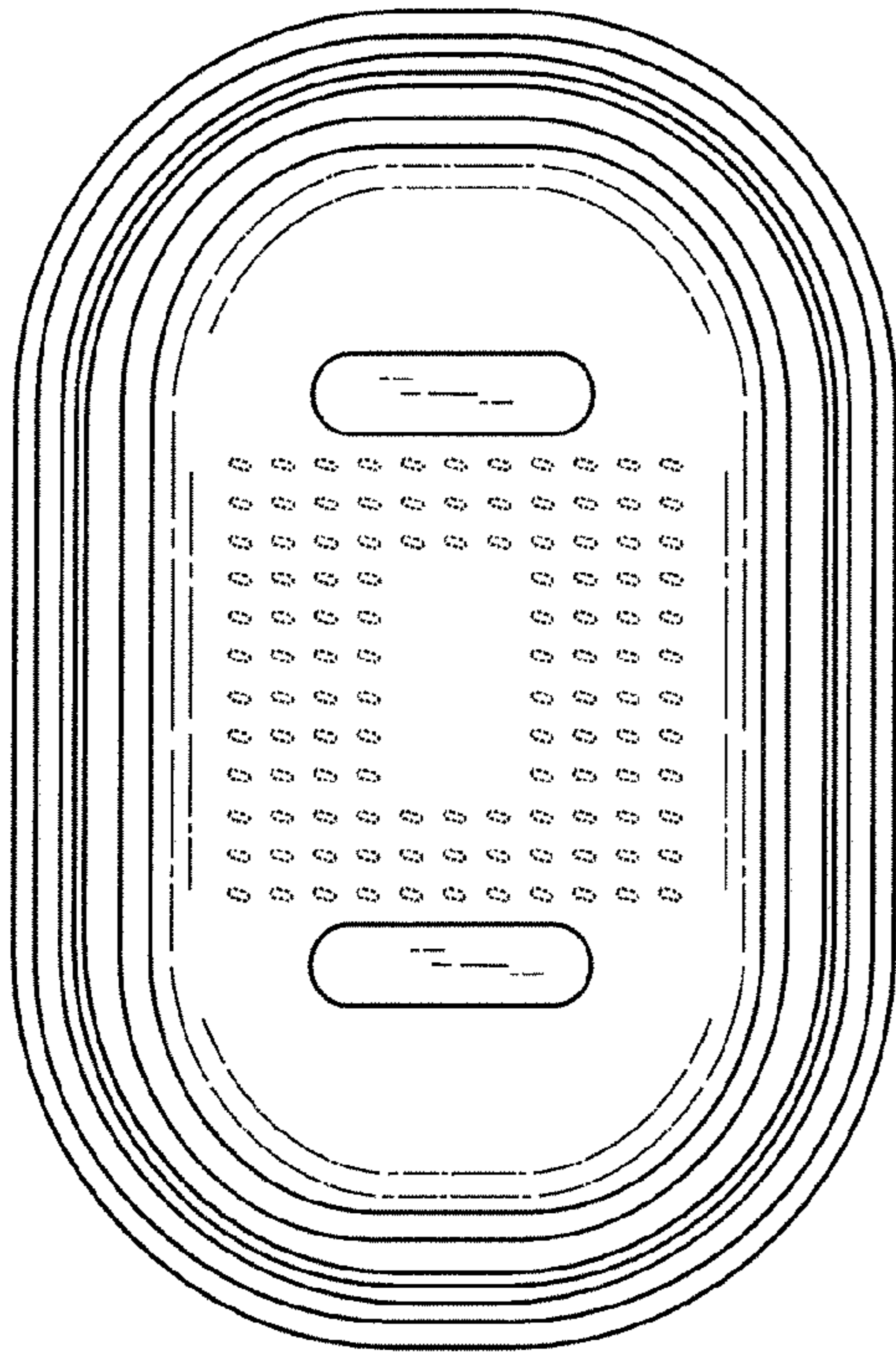


FIG. 28

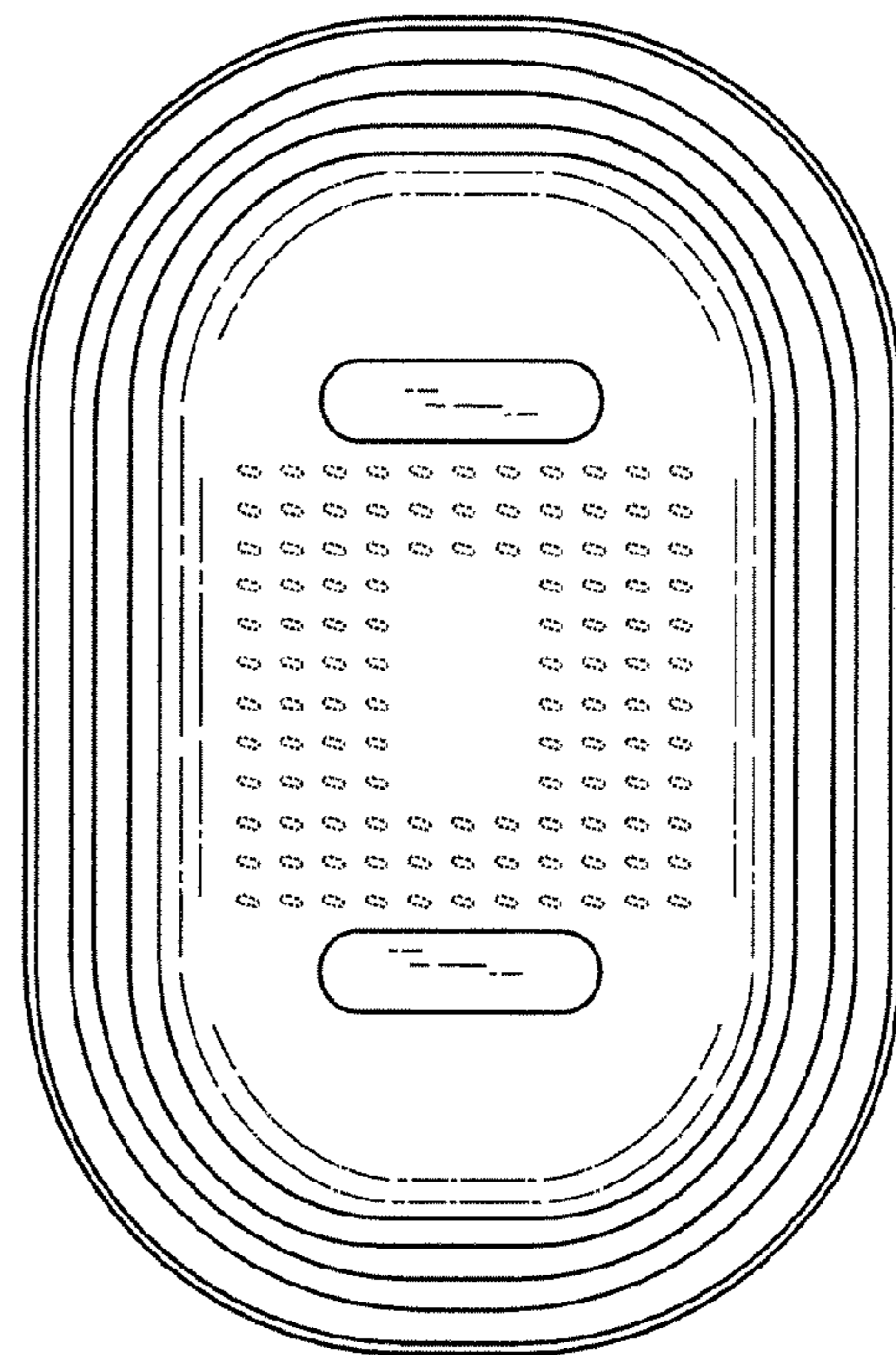


FIG. 29

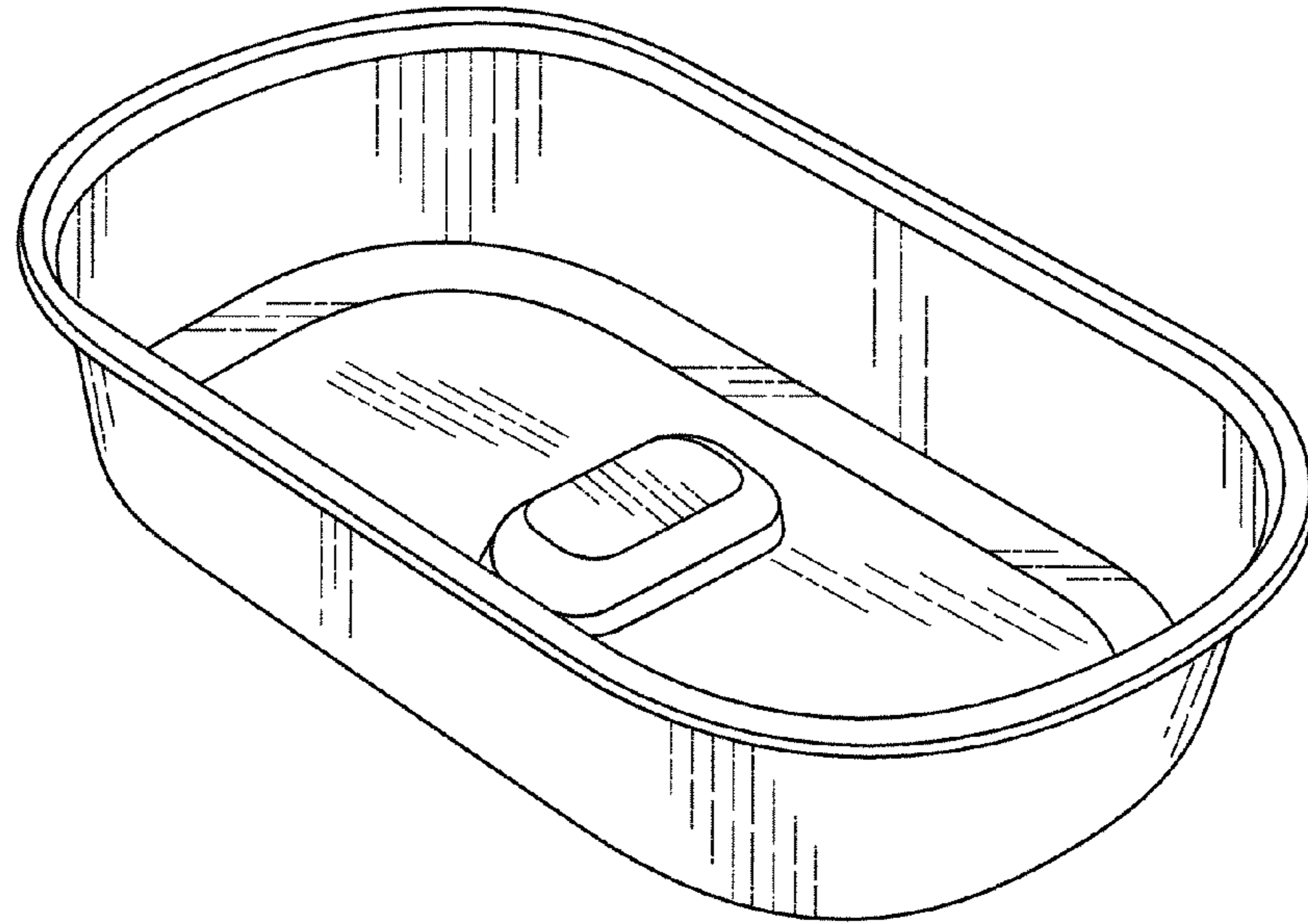


FIG. 30

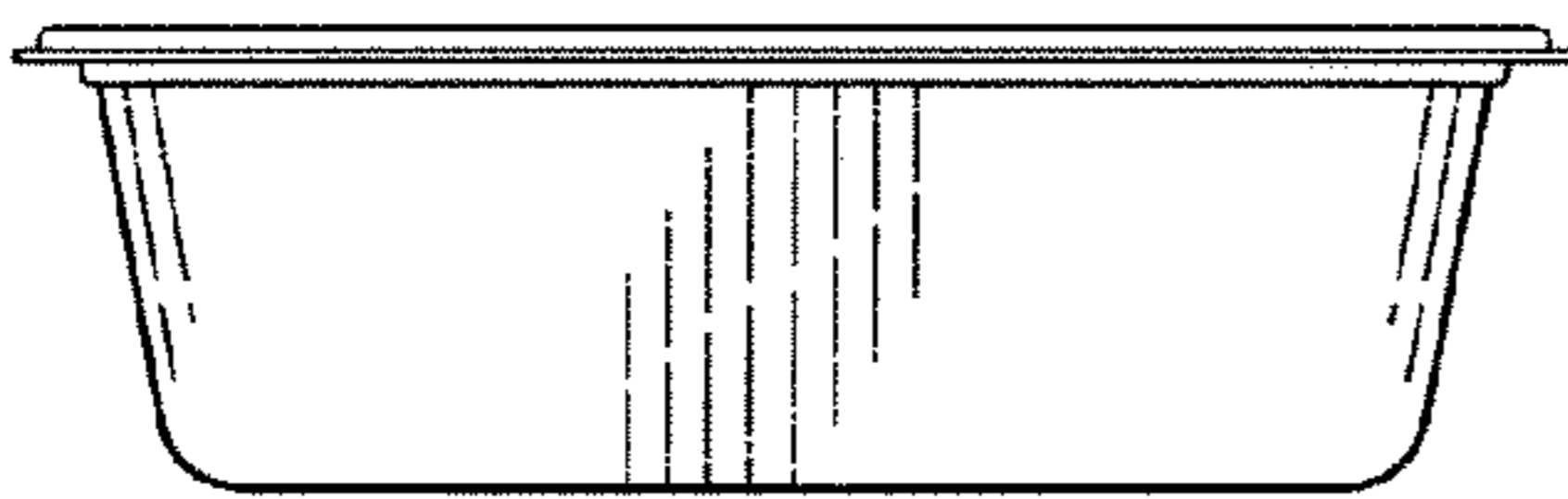


FIG. 31

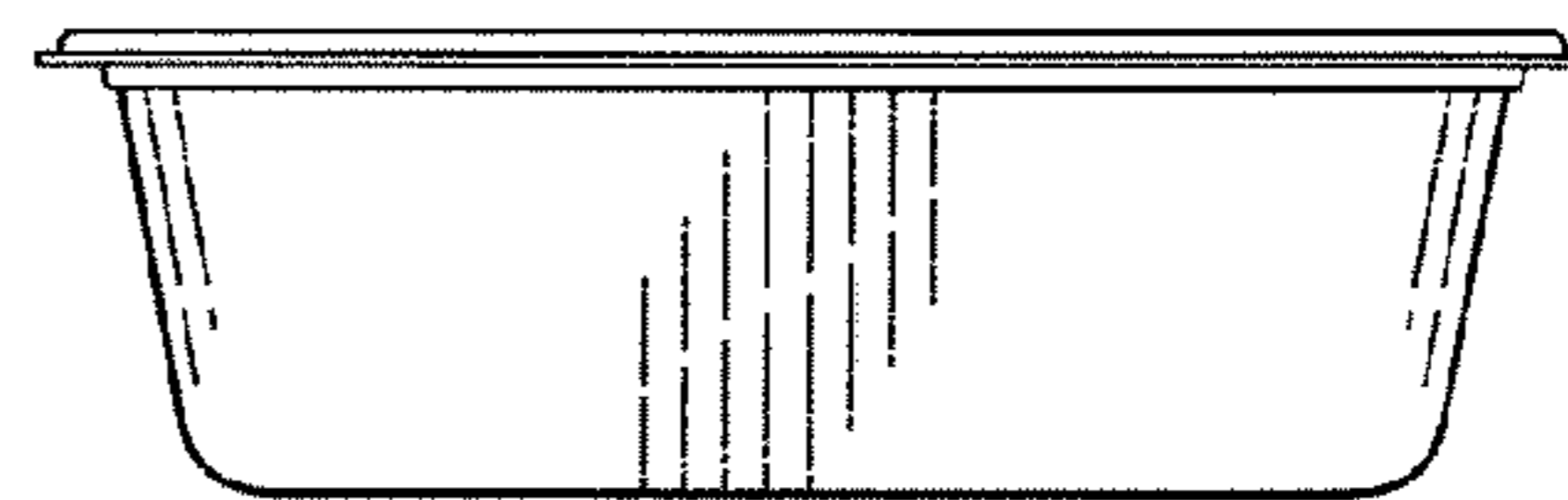


FIG. 32



FIG. 33

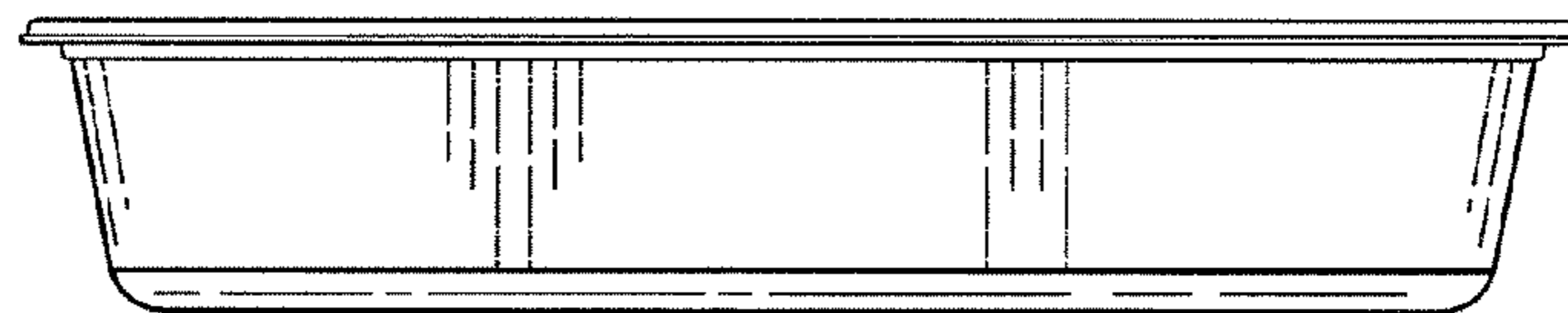


FIG. 34

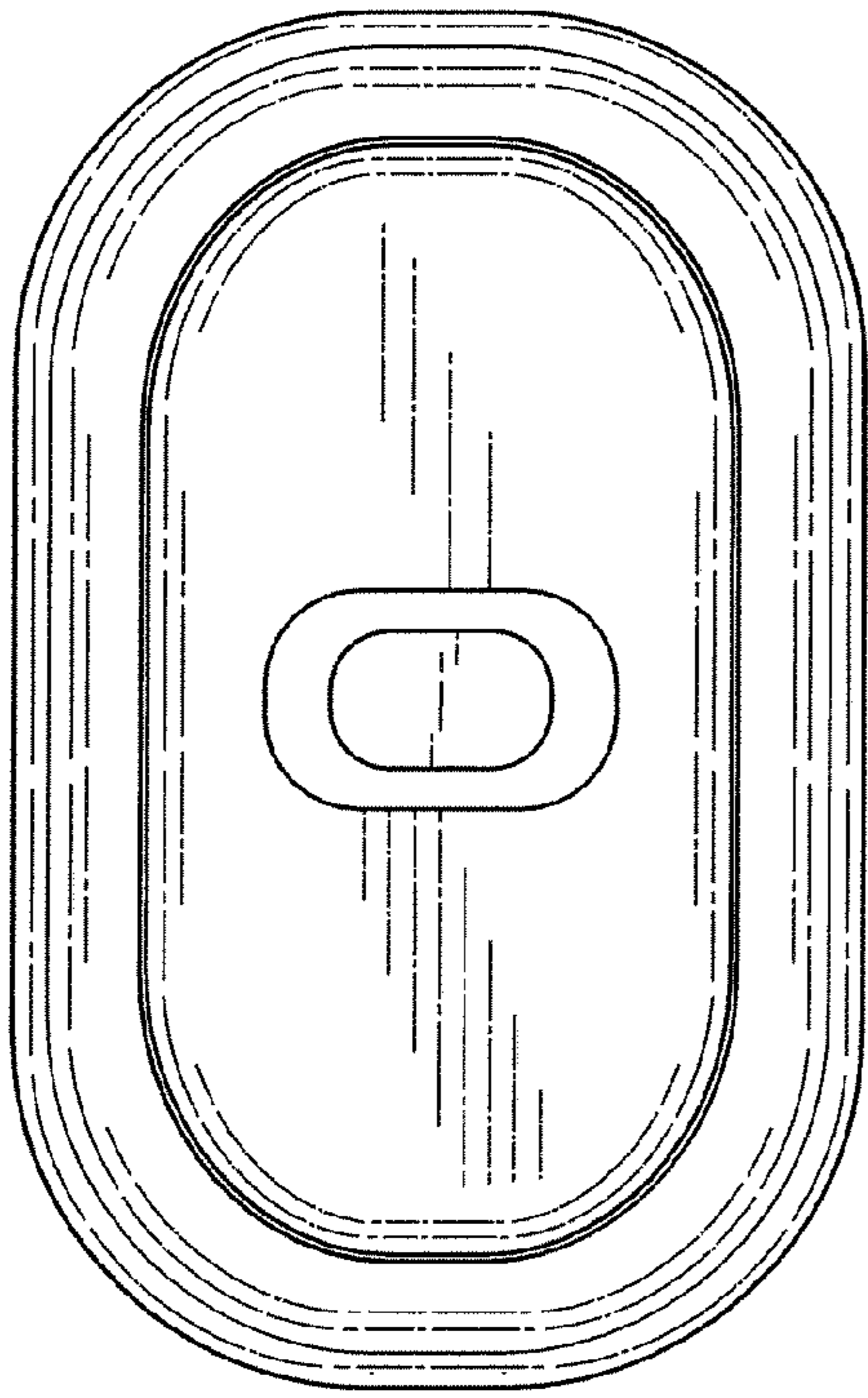


FIG. 35

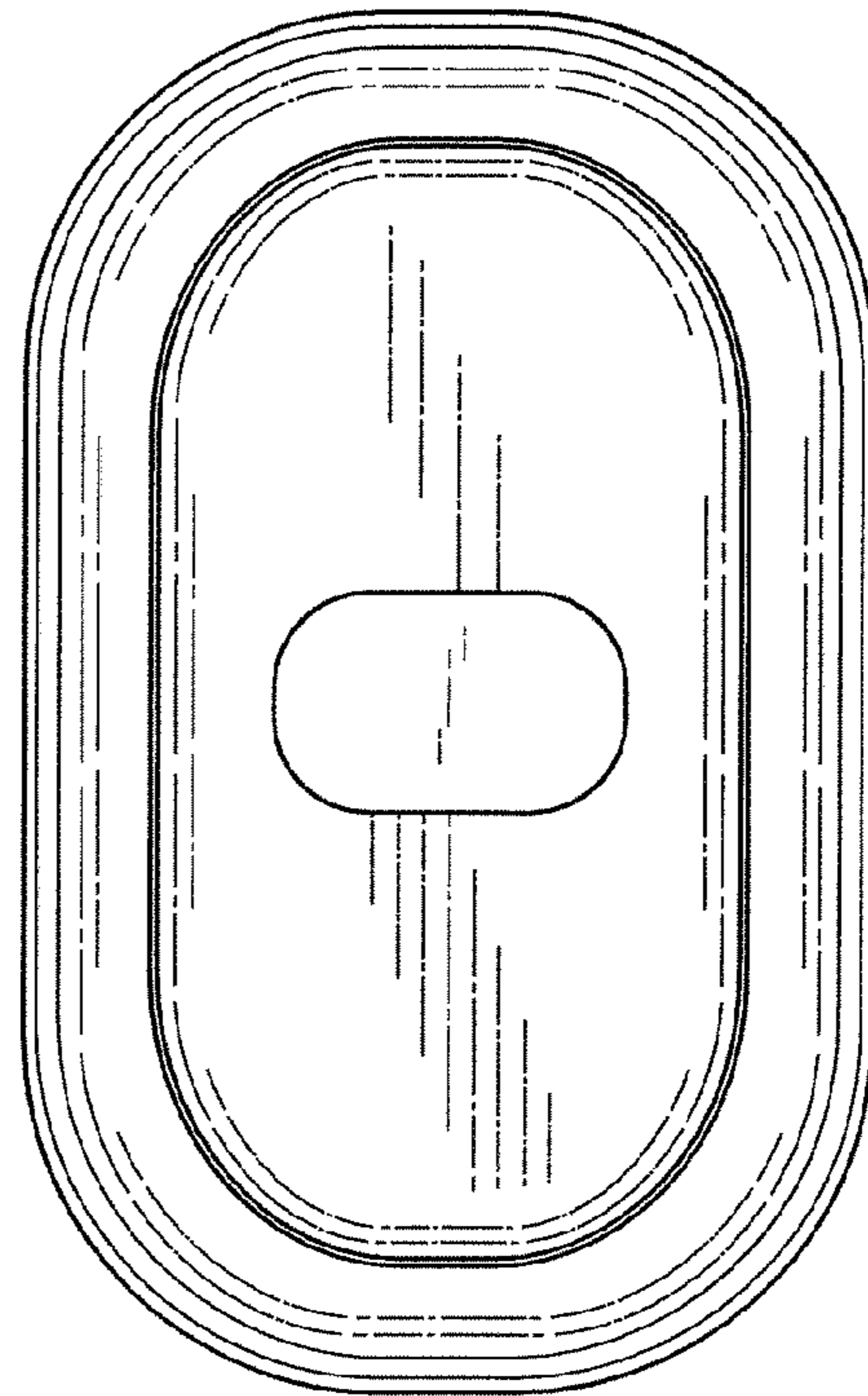


FIG. 36

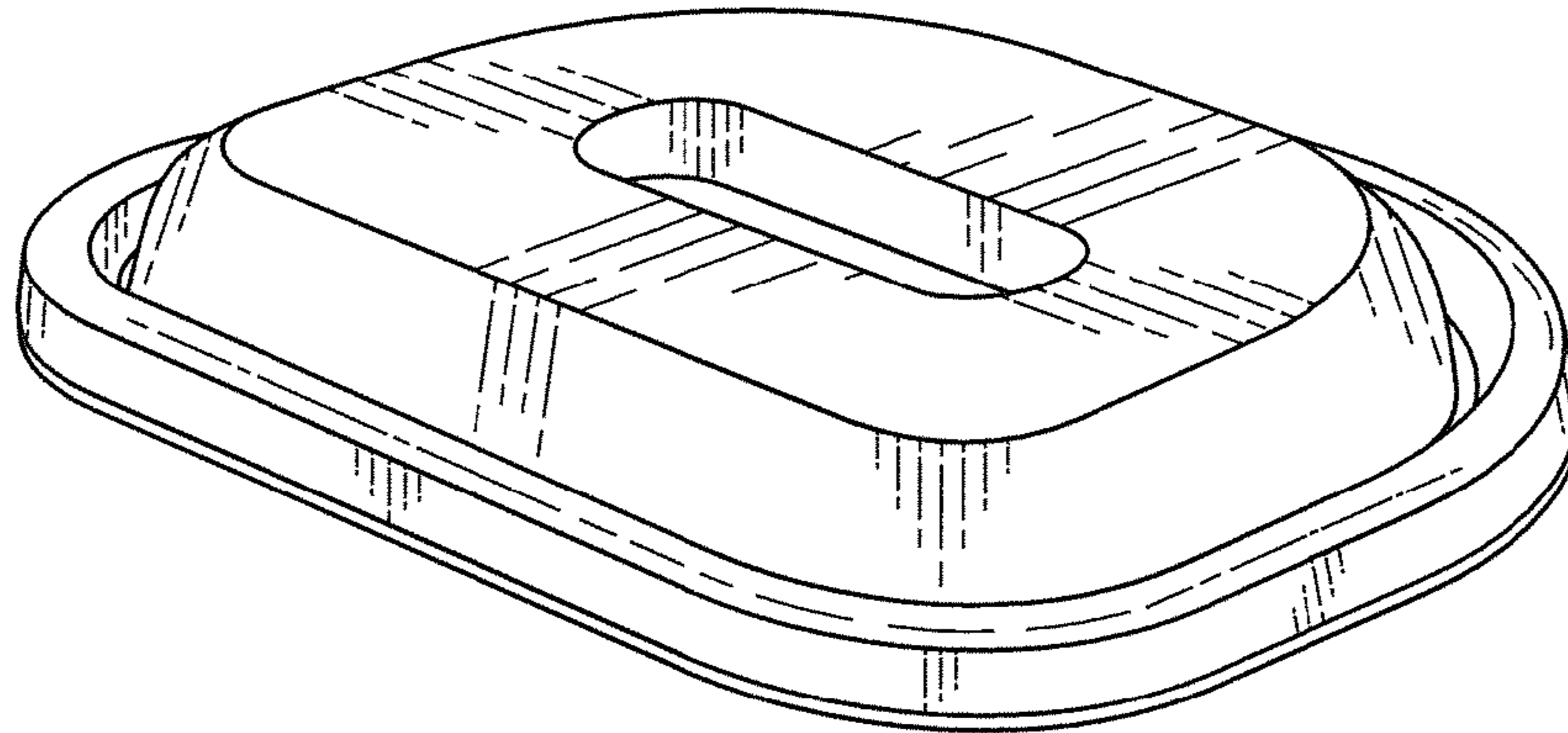


FIG. 37

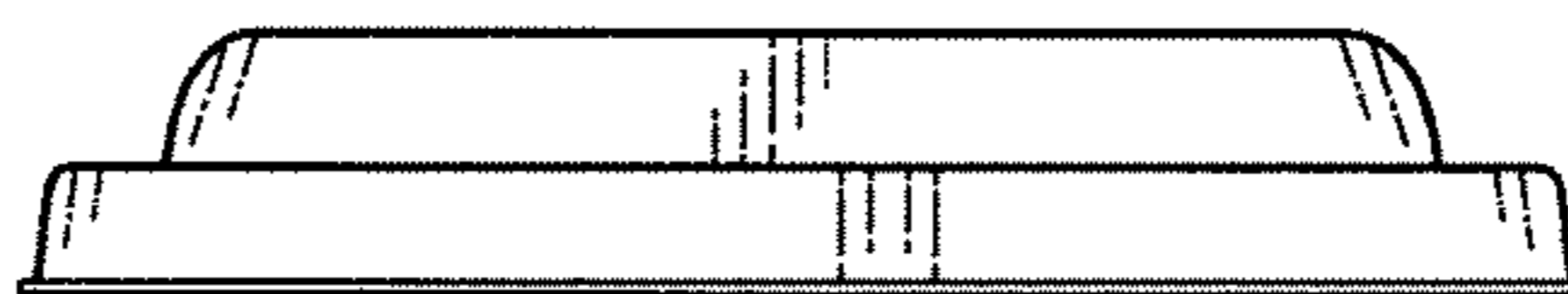


FIG. 38

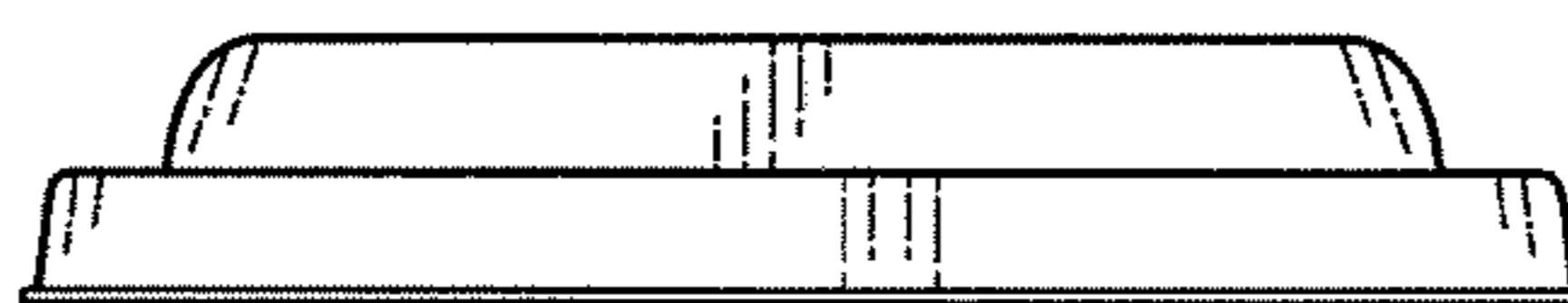


FIG. 39

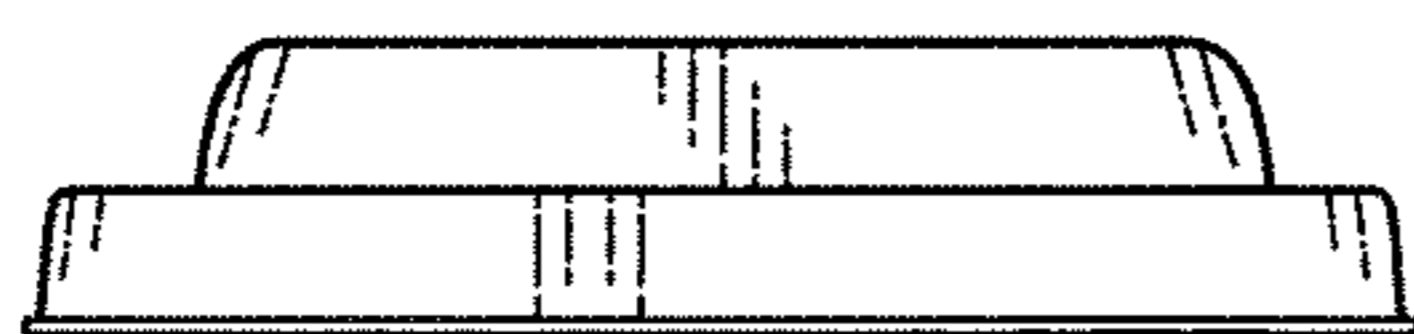


FIG. 40

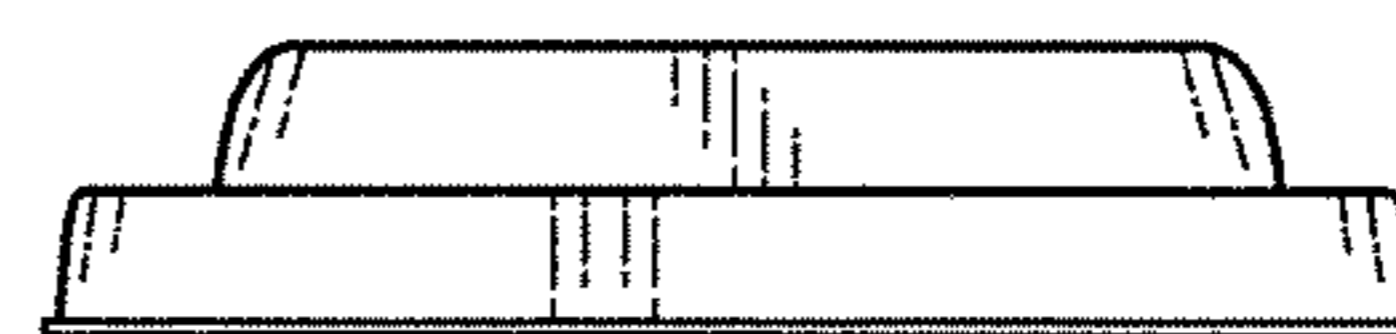


FIG. 41



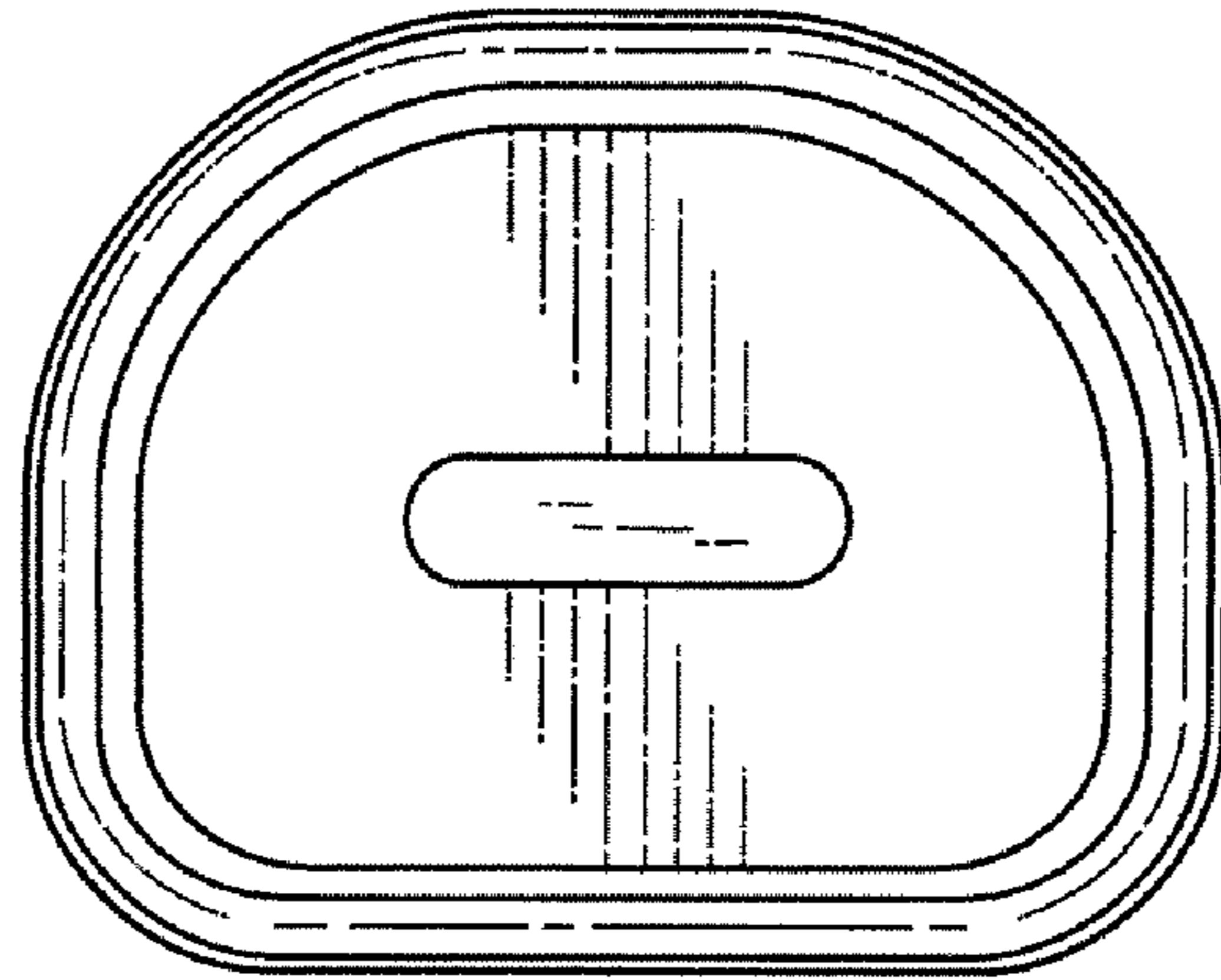


FIG. 42

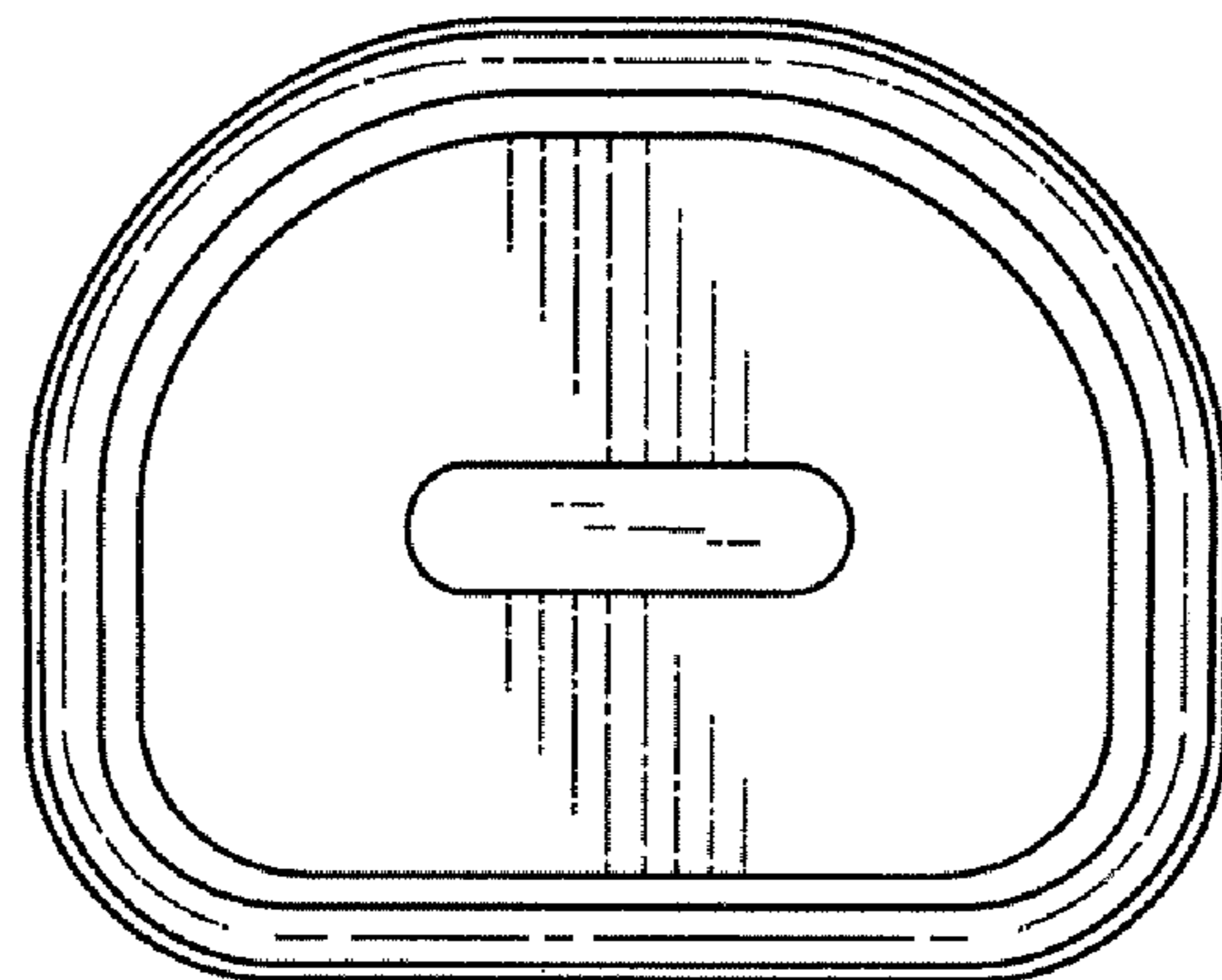


FIG. 43

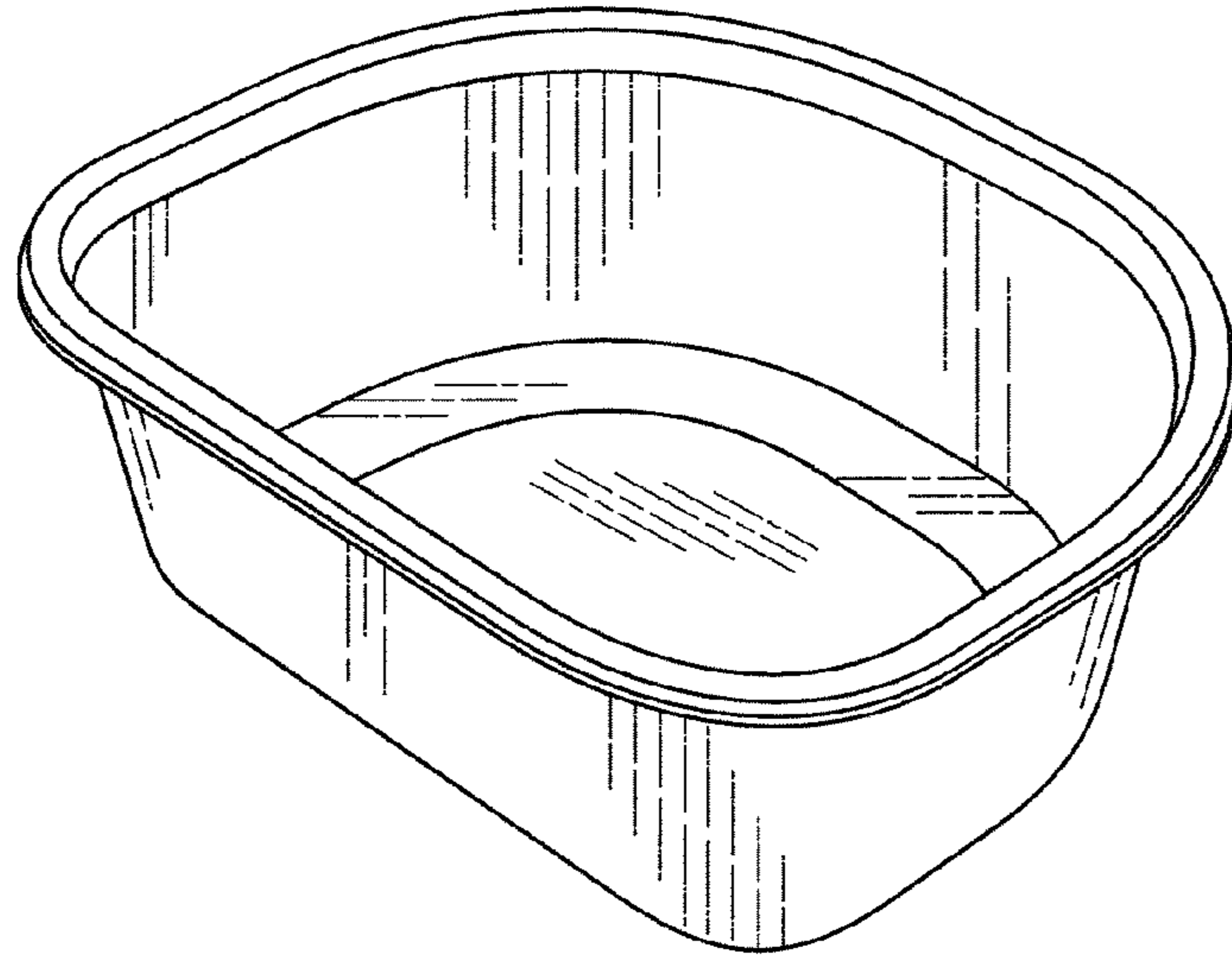


FIG. 44

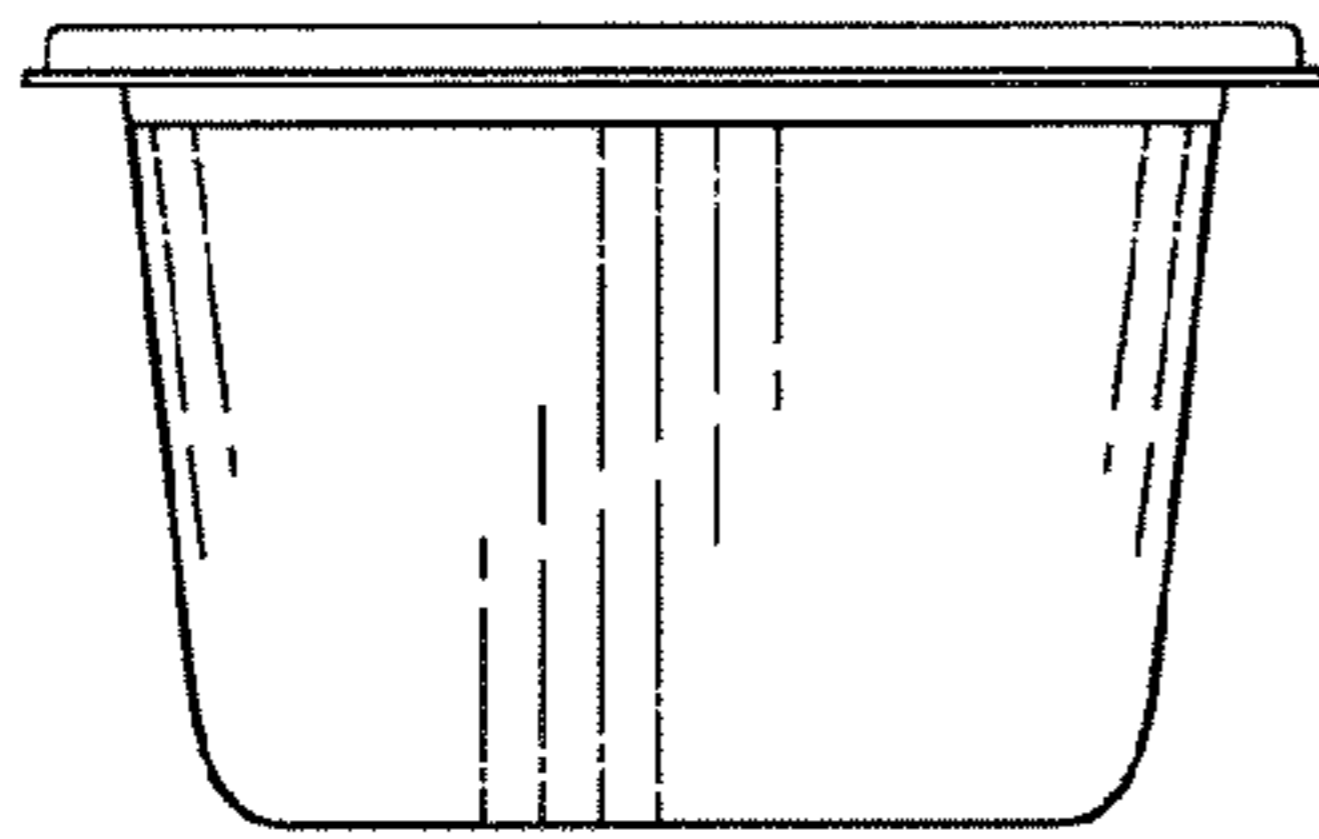


FIG. 45

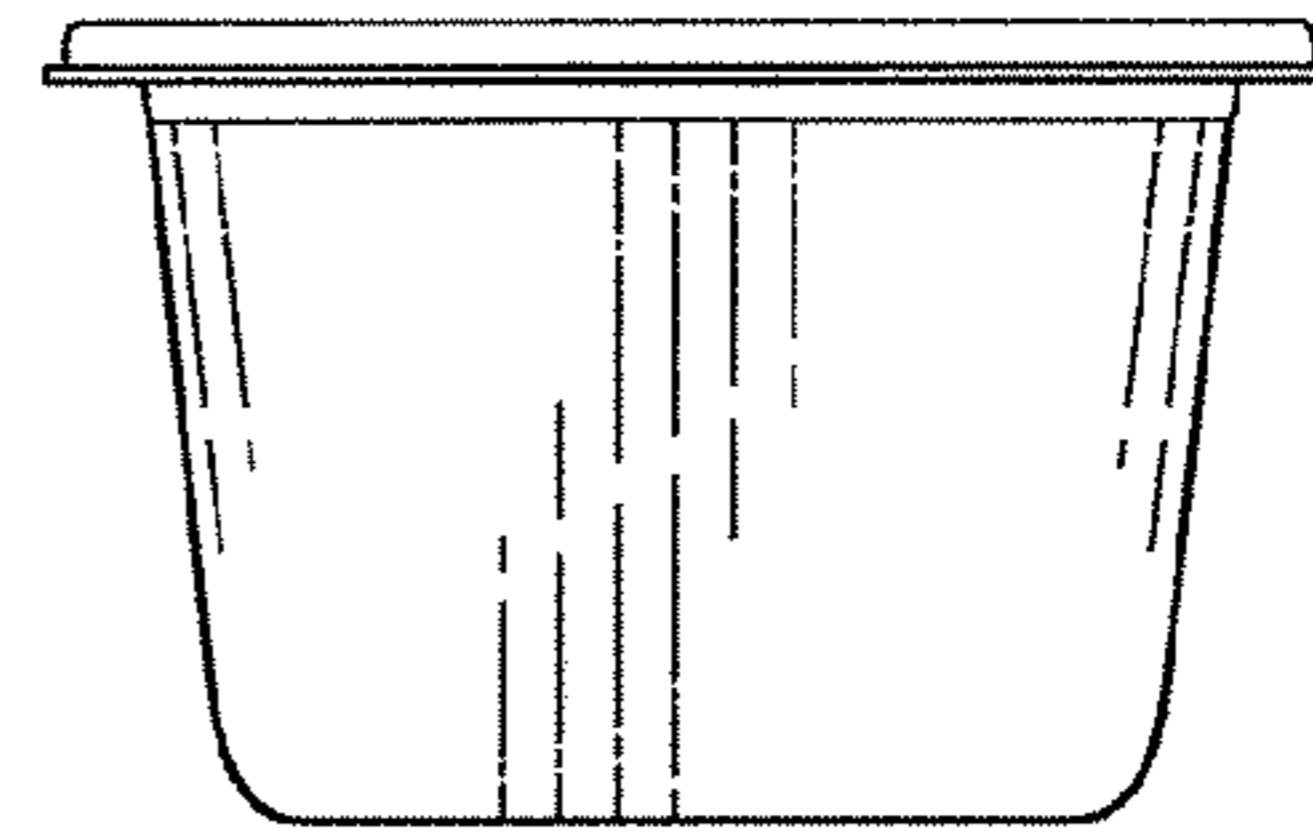


FIG. 46

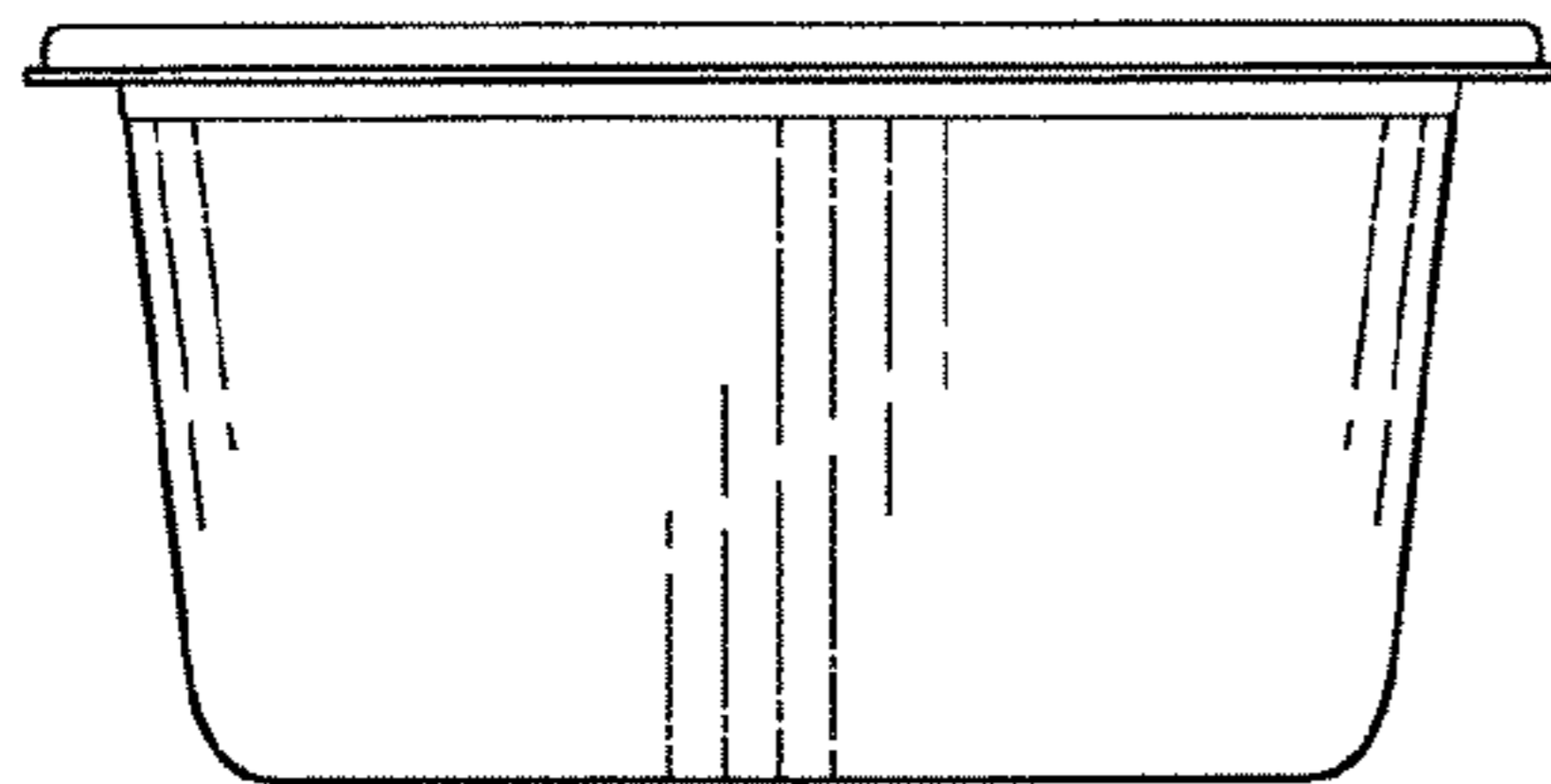


FIG. 47

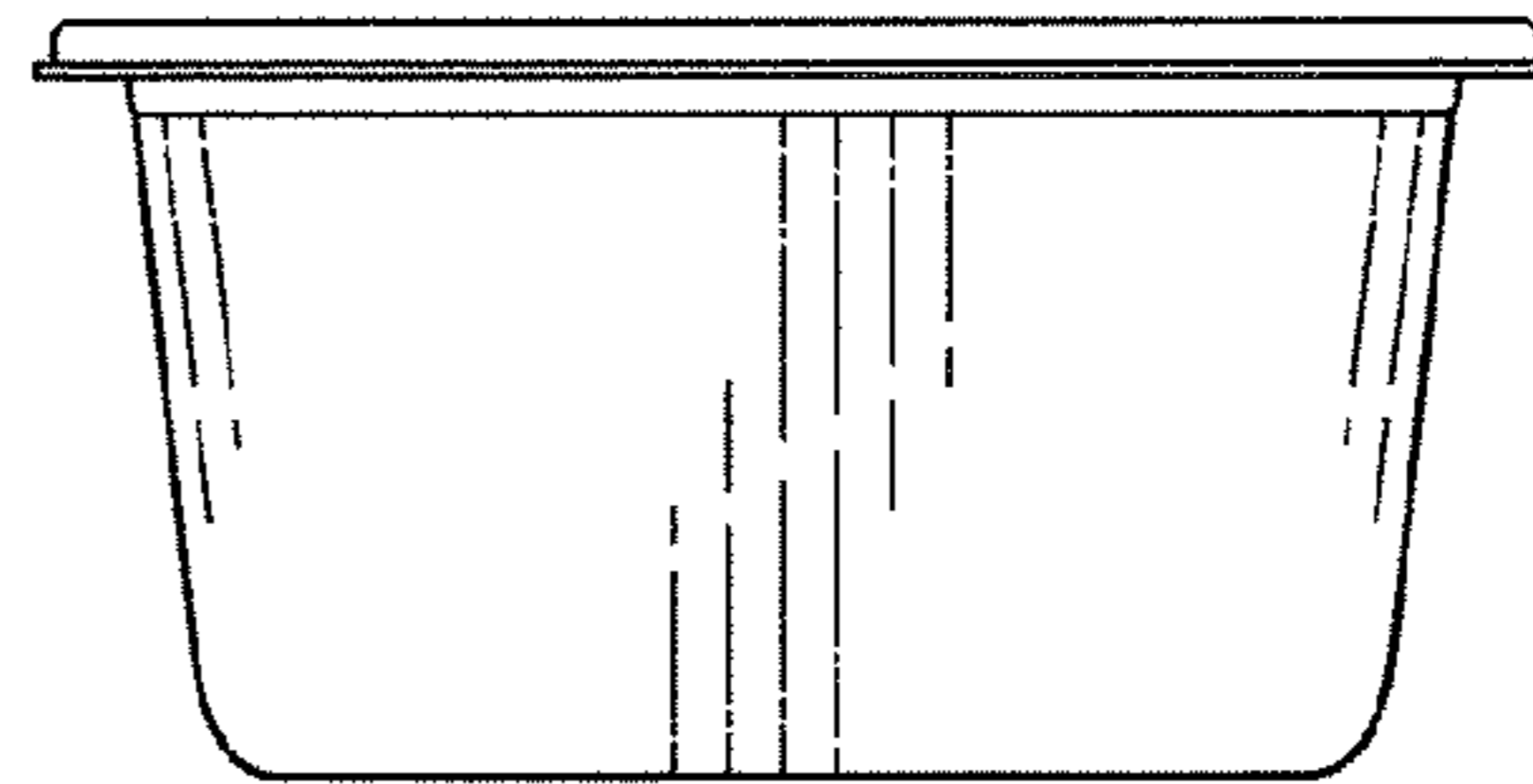


FIG. 48

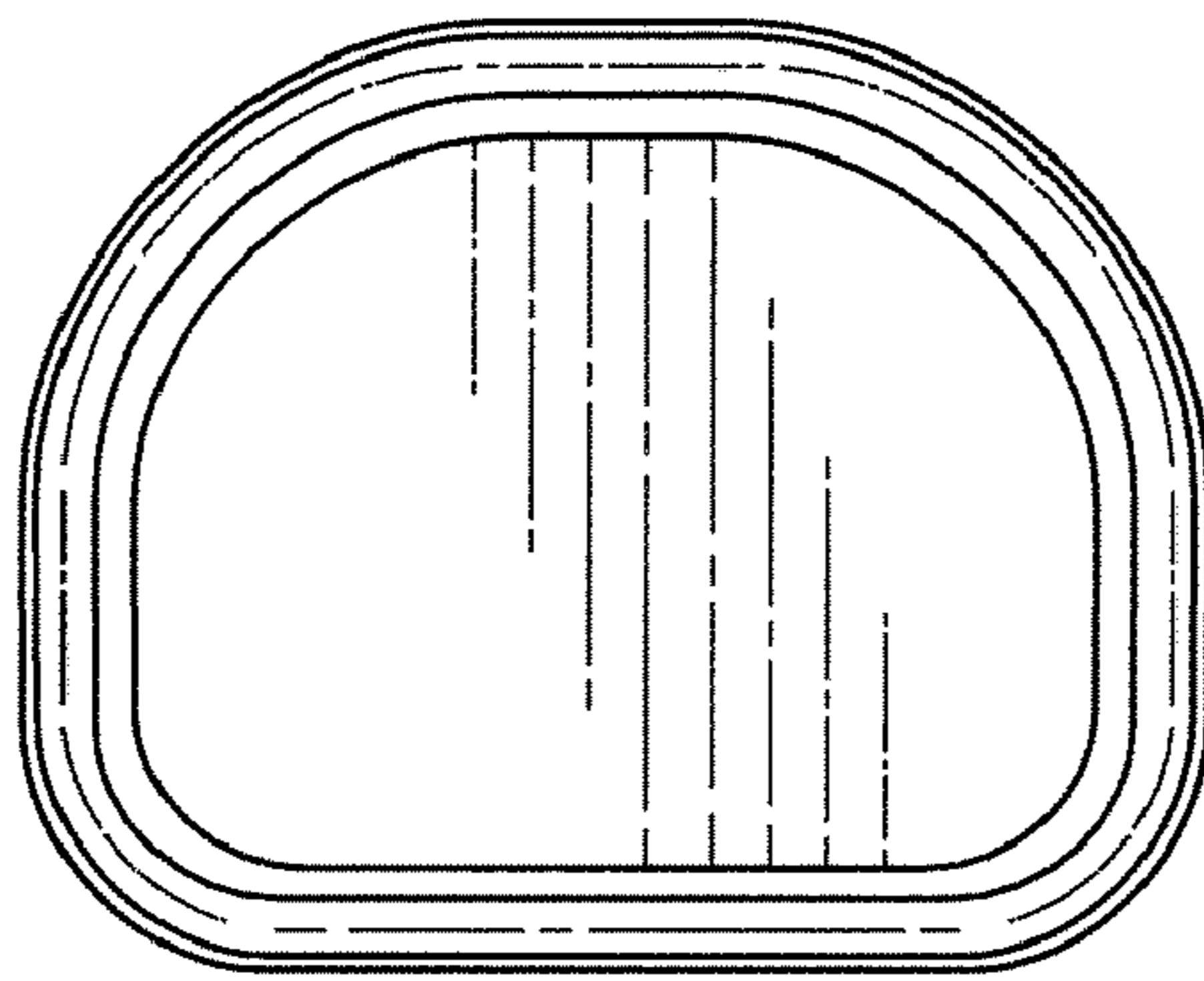


FIG. 49

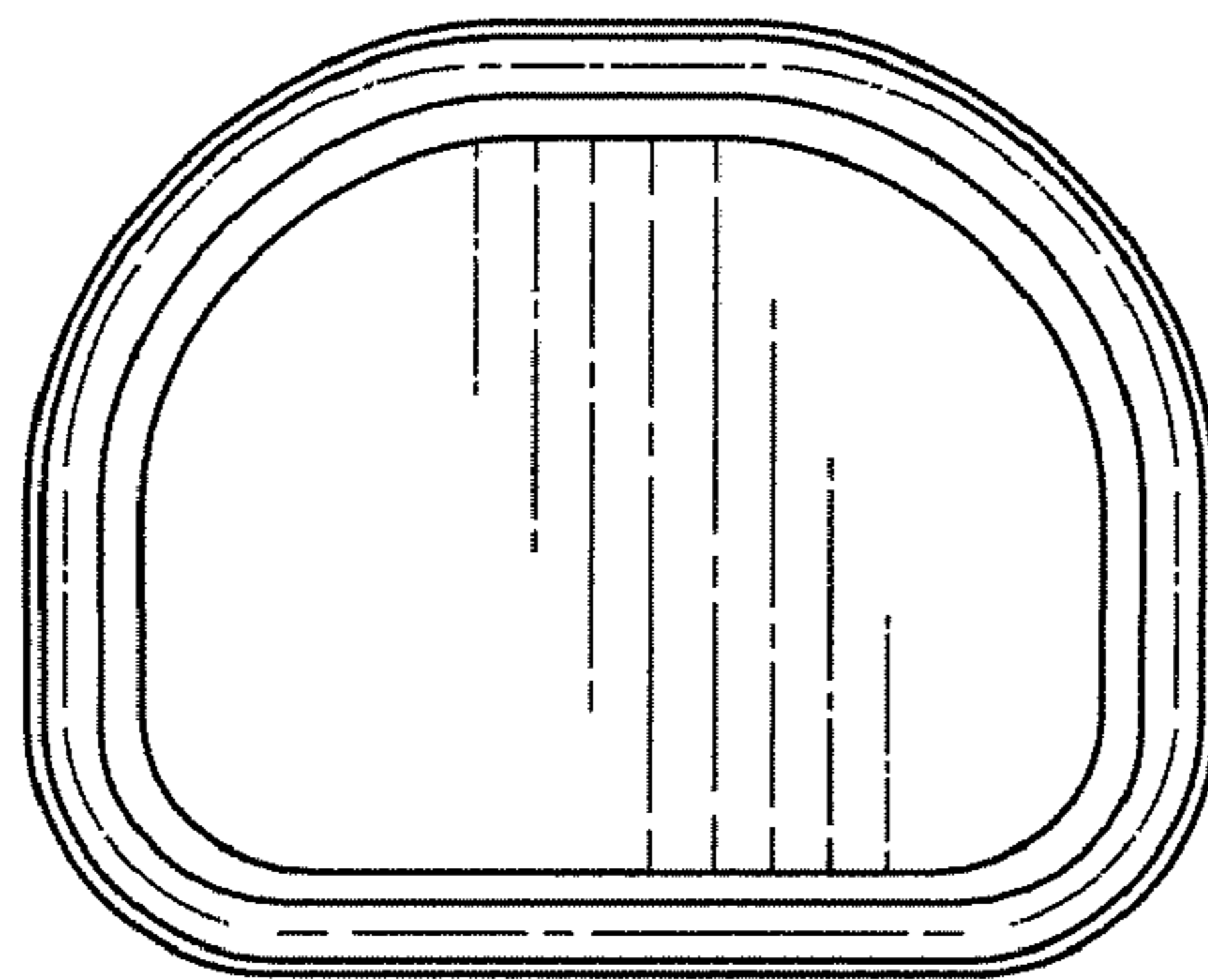


FIG. 50

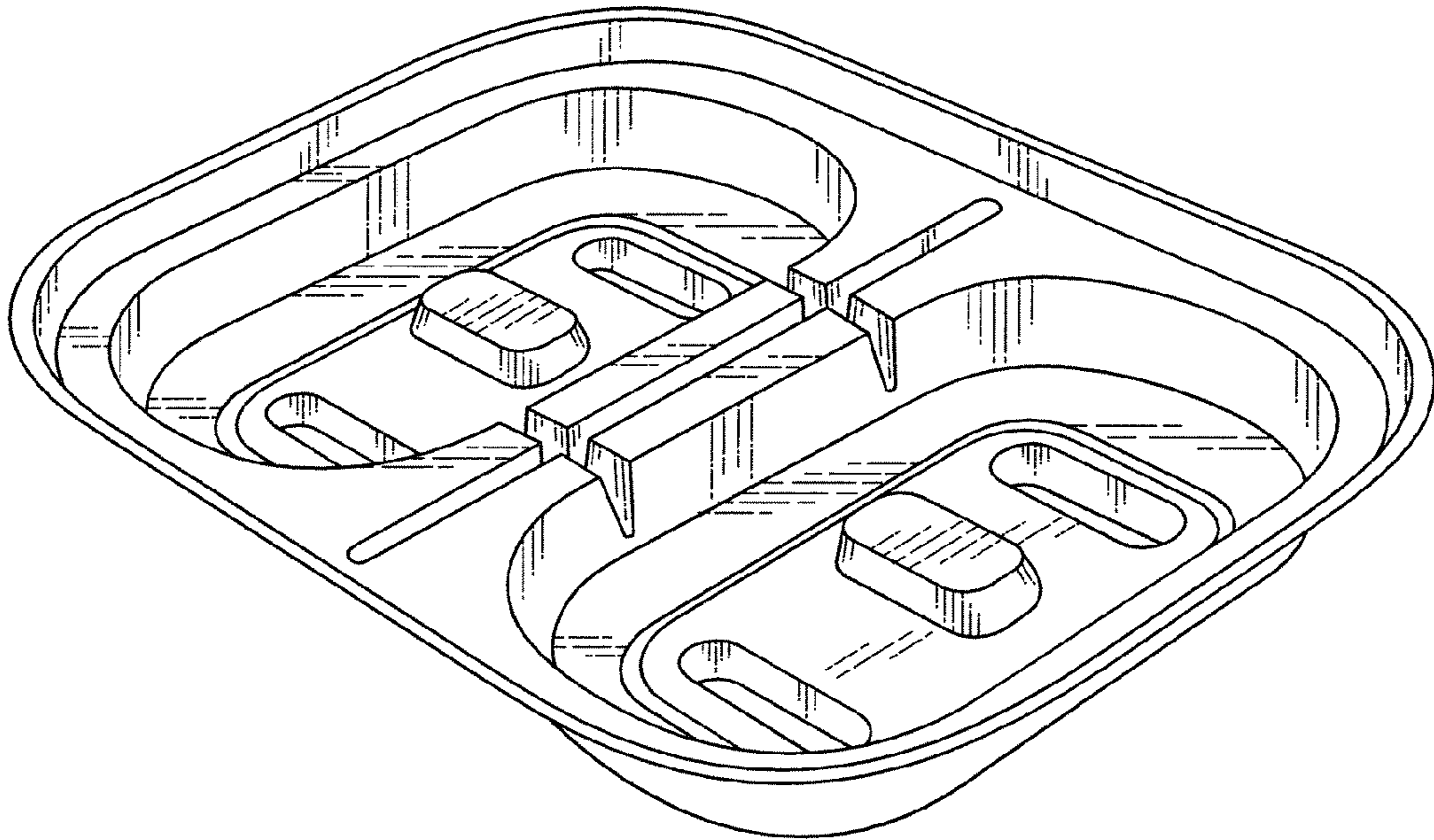


FIG. 51

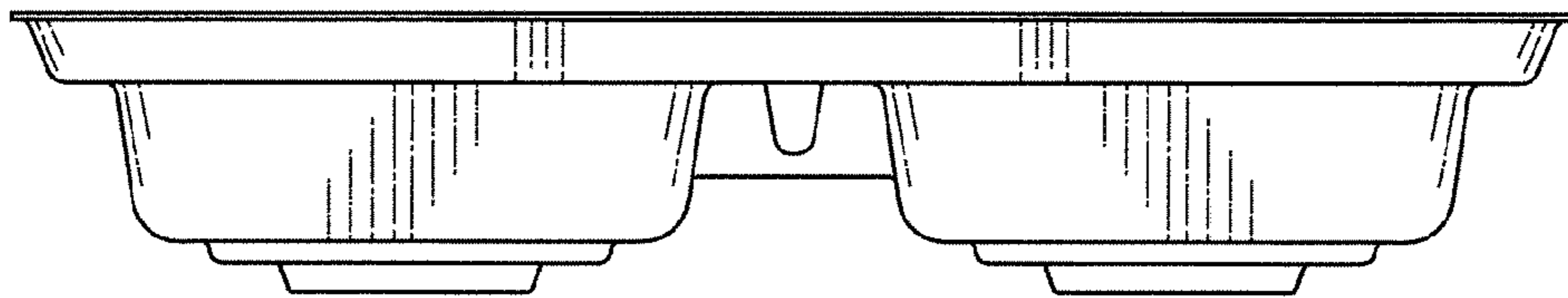


FIG. 52

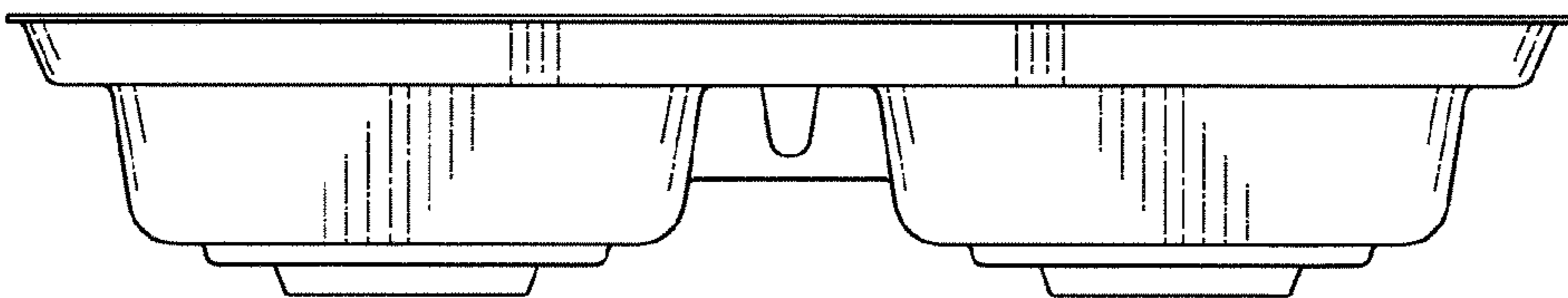


FIG. 53

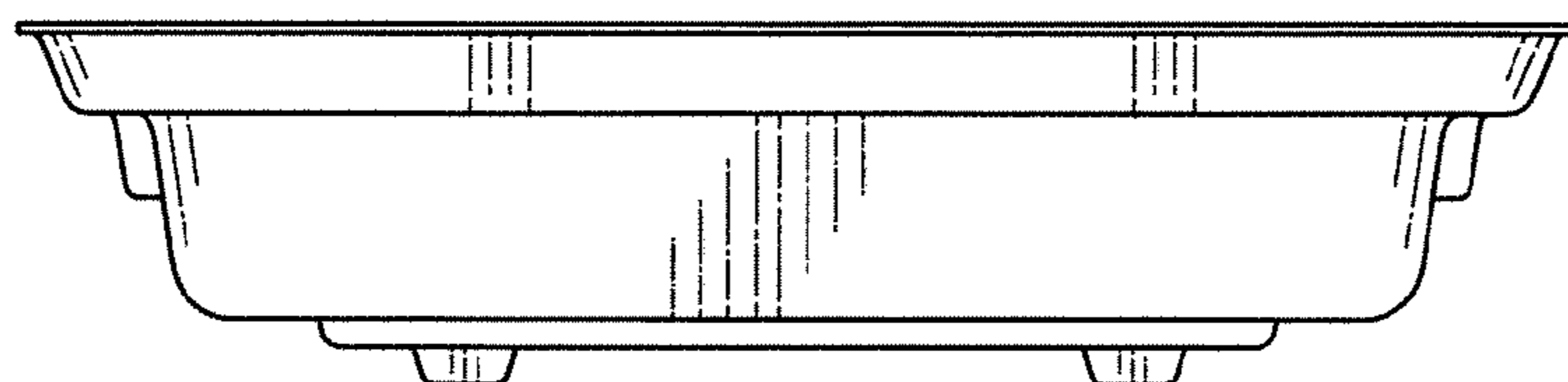


FIG. 54

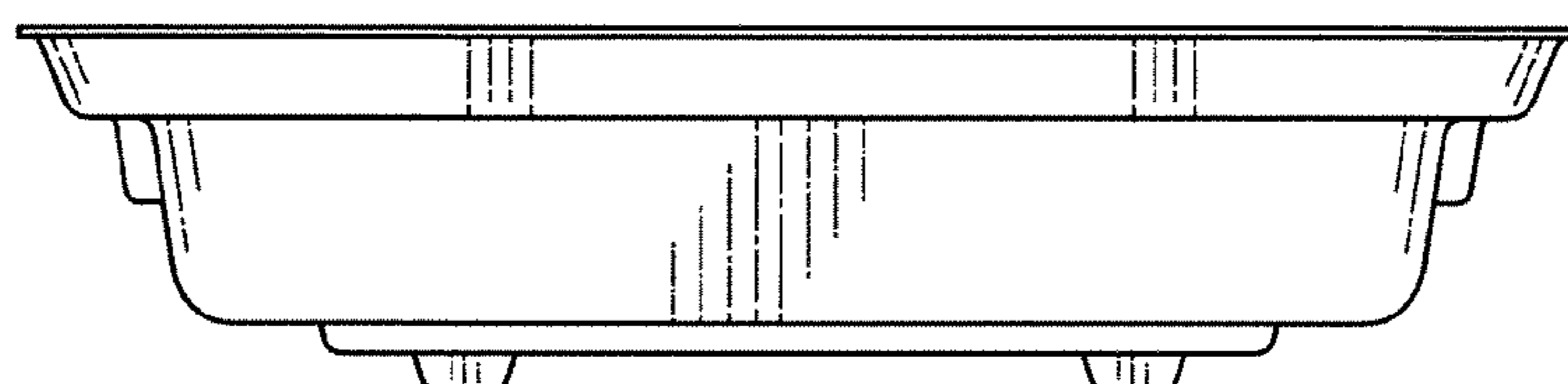


FIG. 55

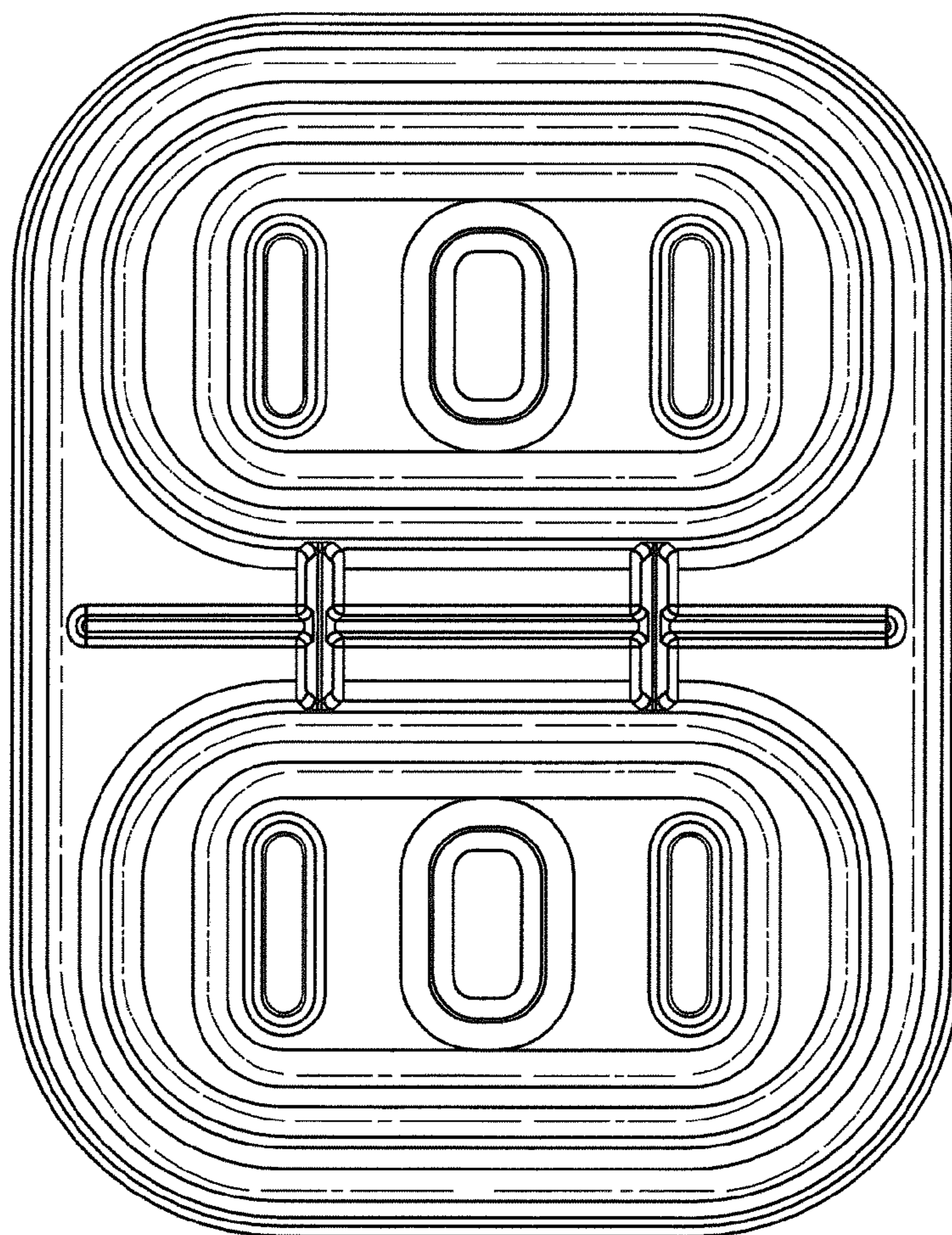


FIG. 56

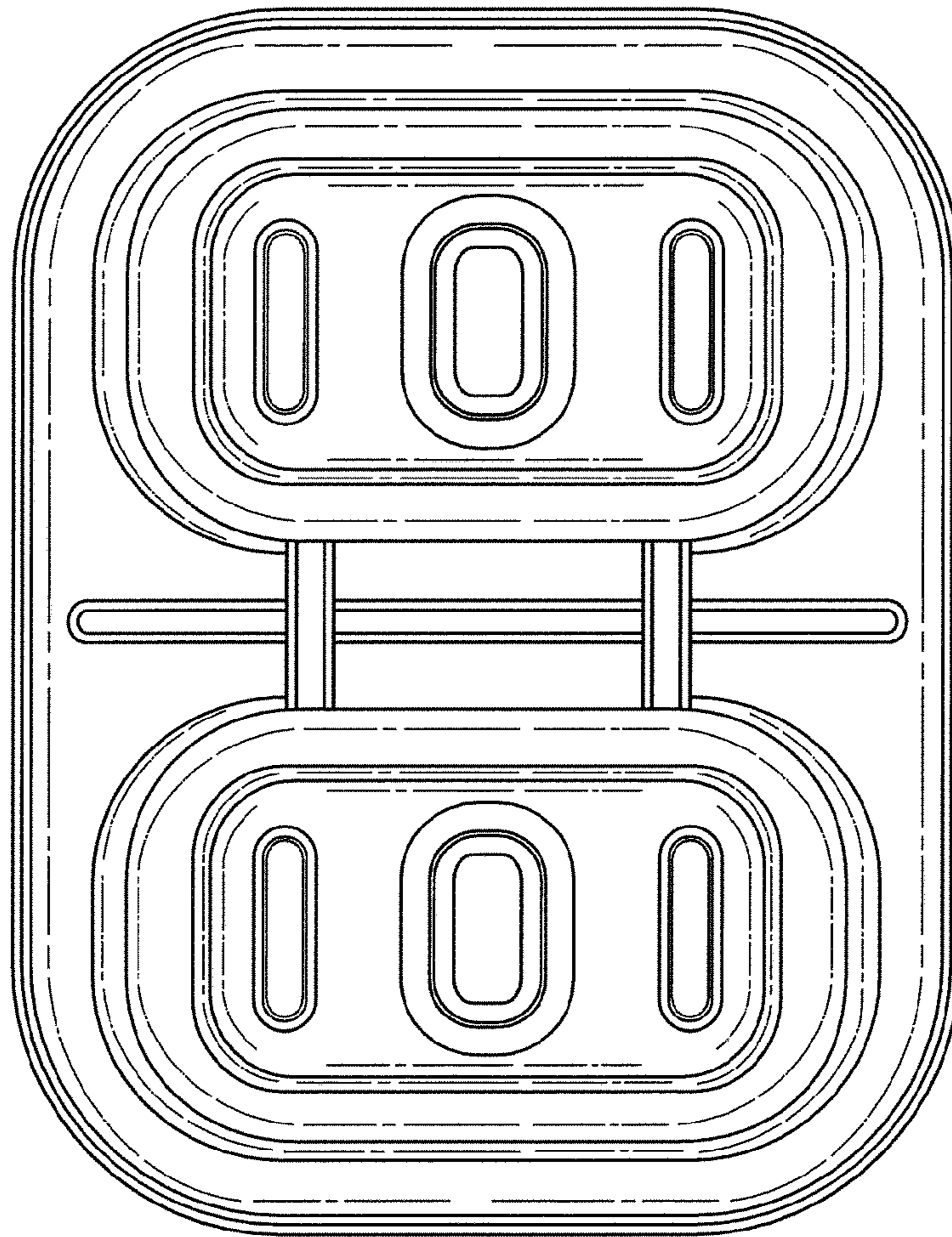


FIG. 57

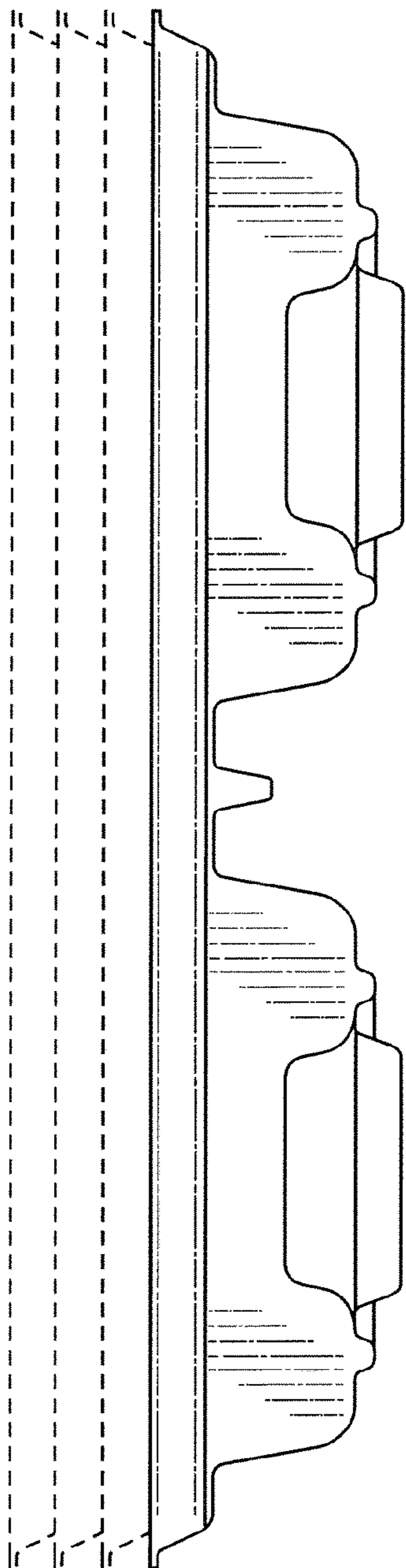


FIG. 58

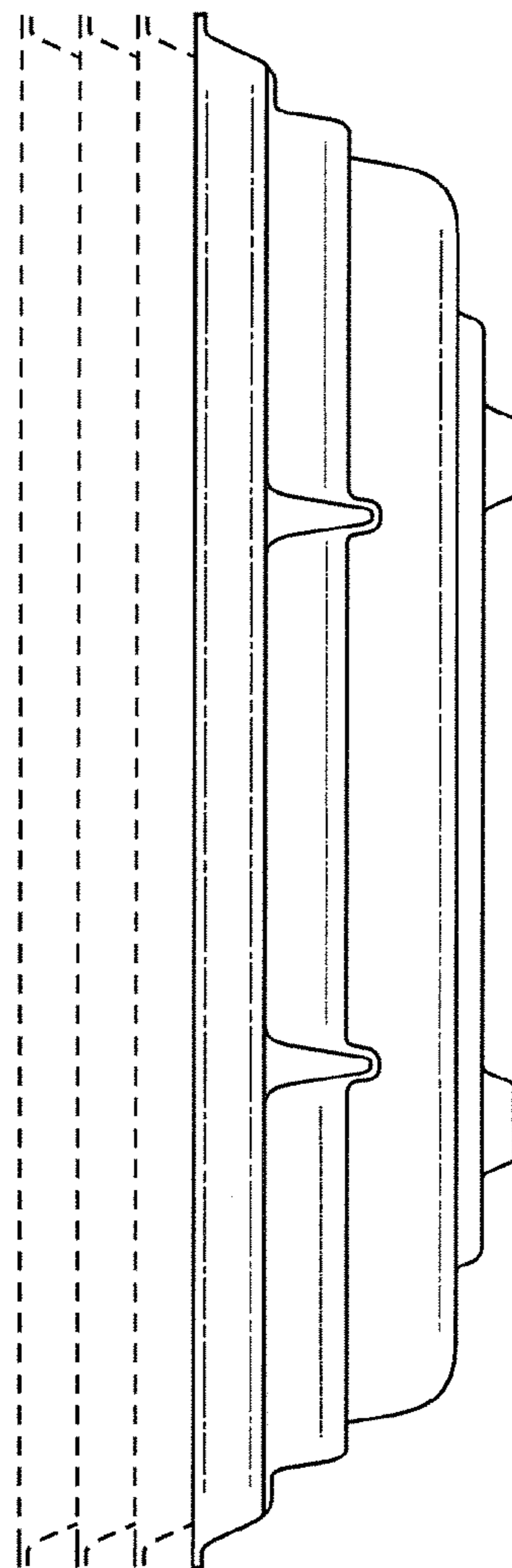


FIG. 59

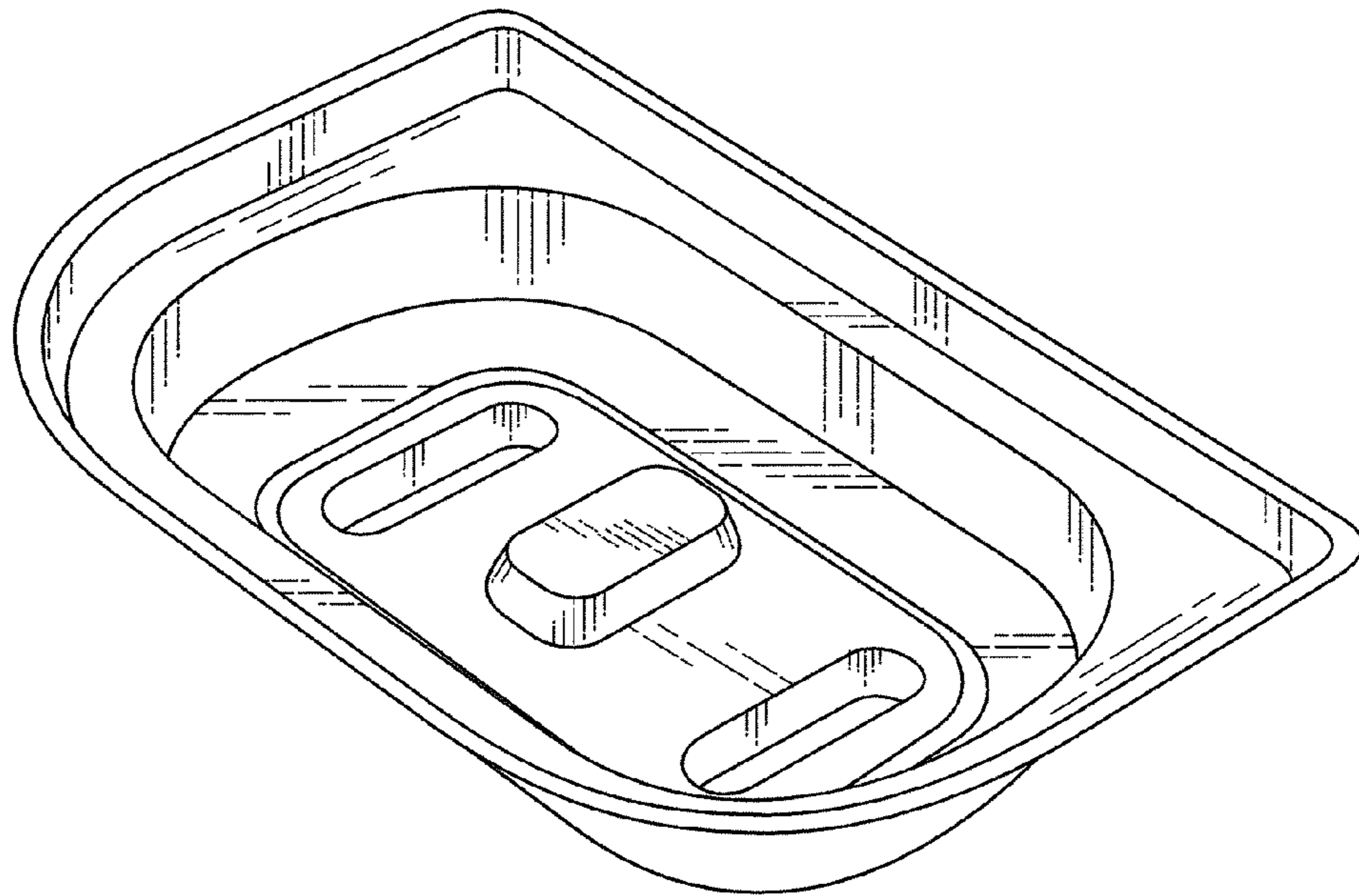


FIG. 60

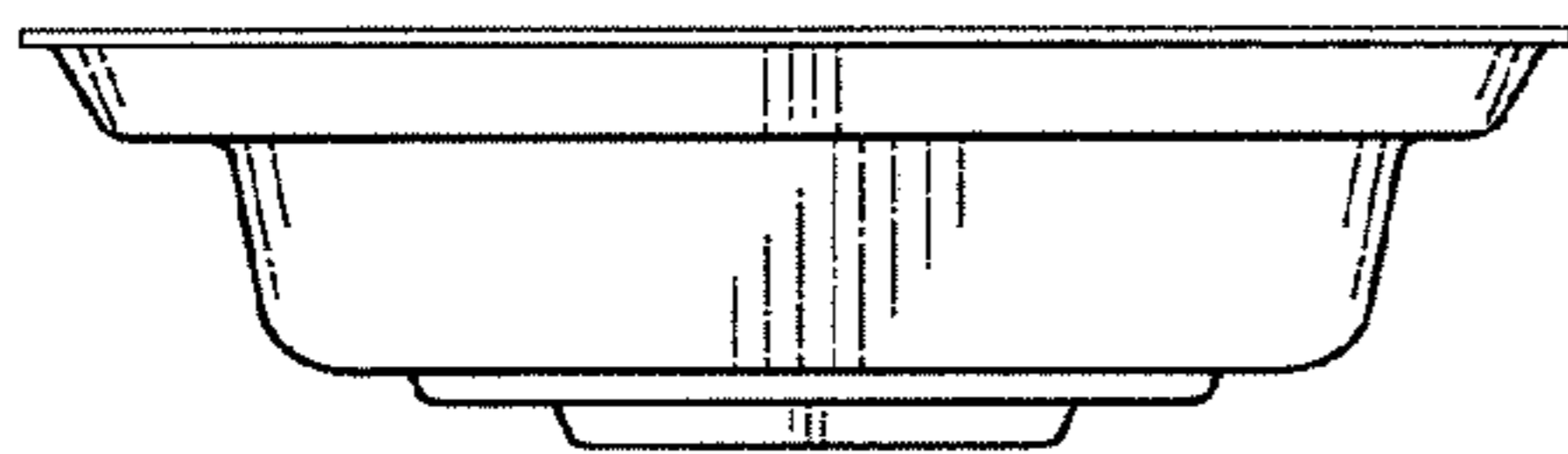


FIG. 61

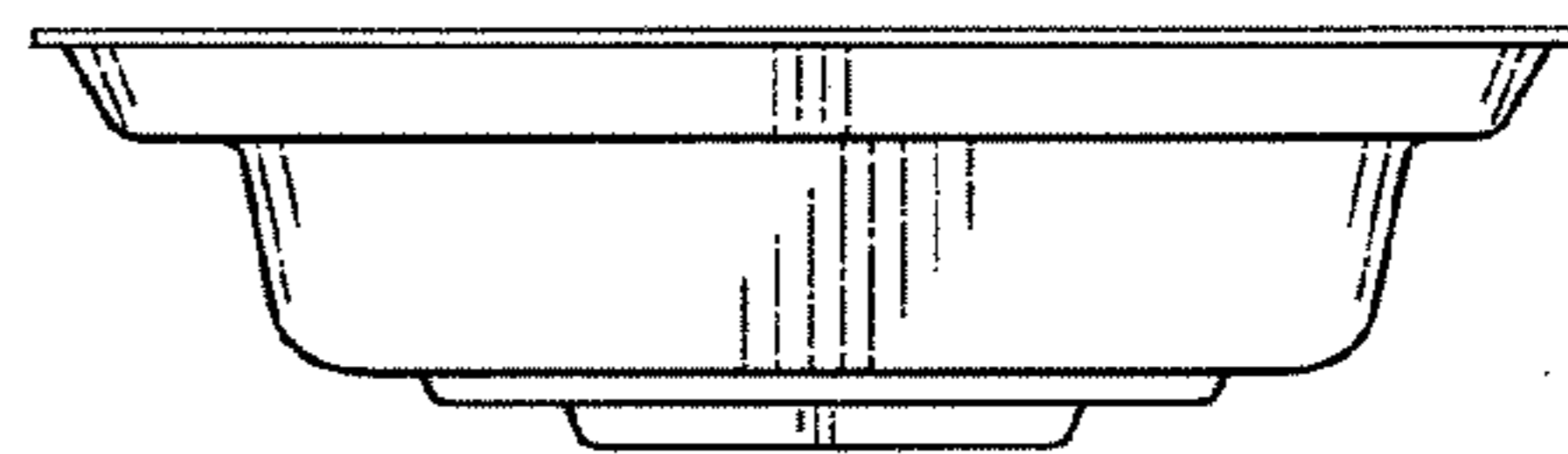


FIG. 62

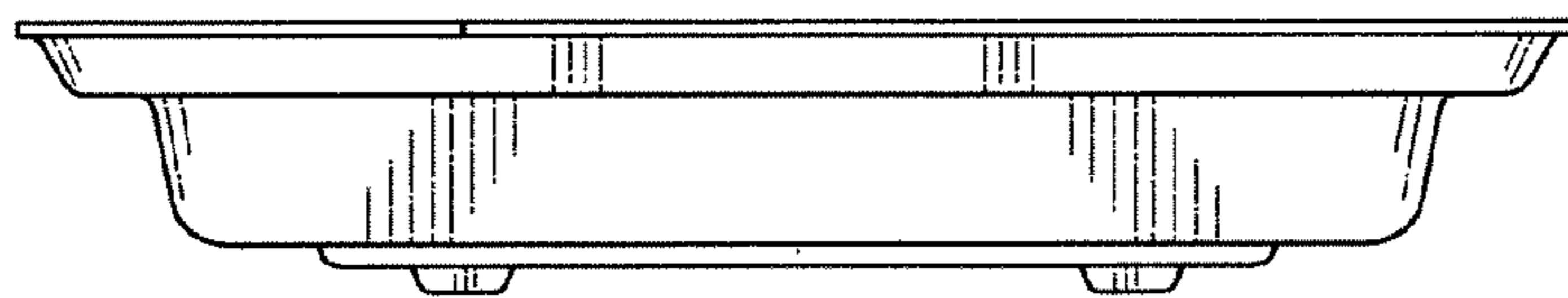


FIG. 63

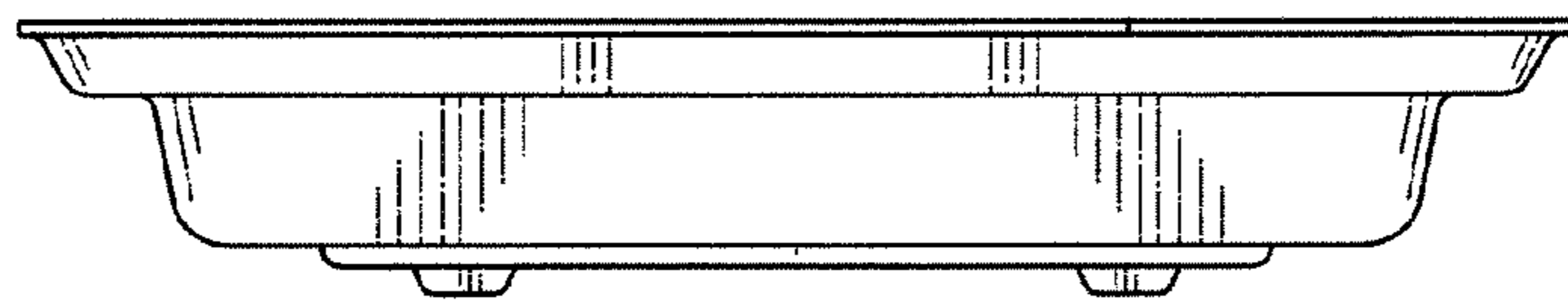


FIG. 64



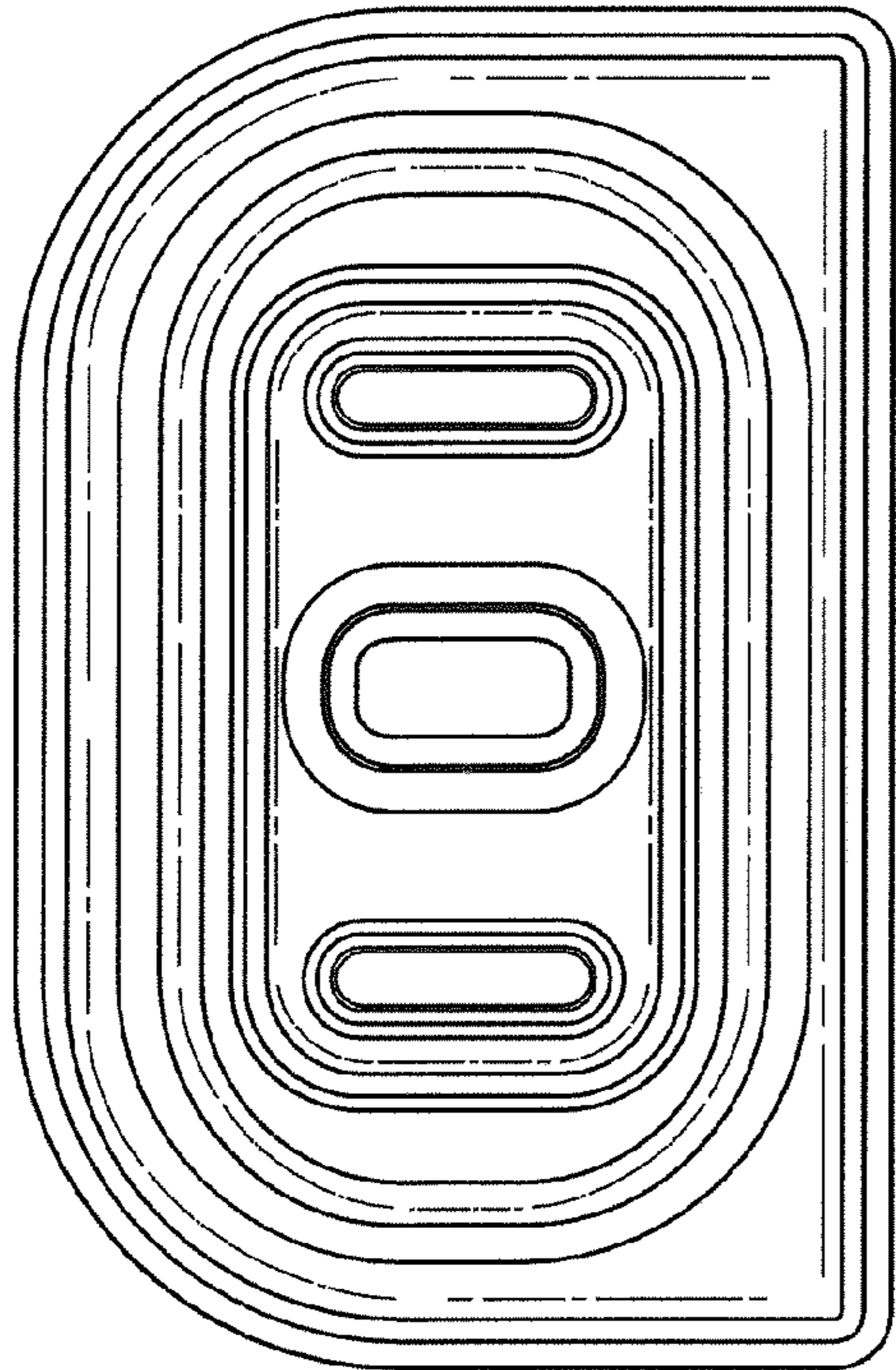


FIG. 65

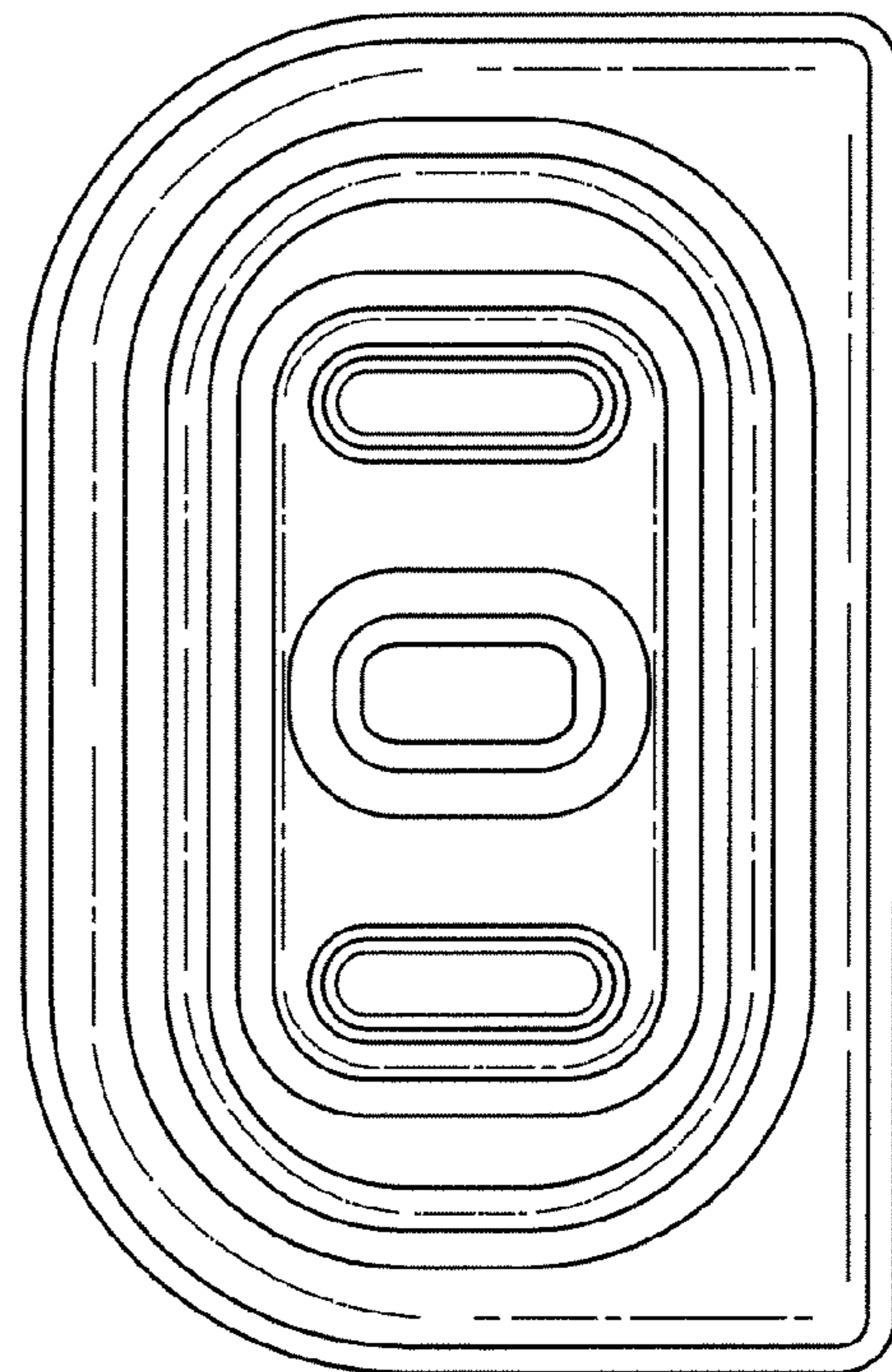


FIG. 66

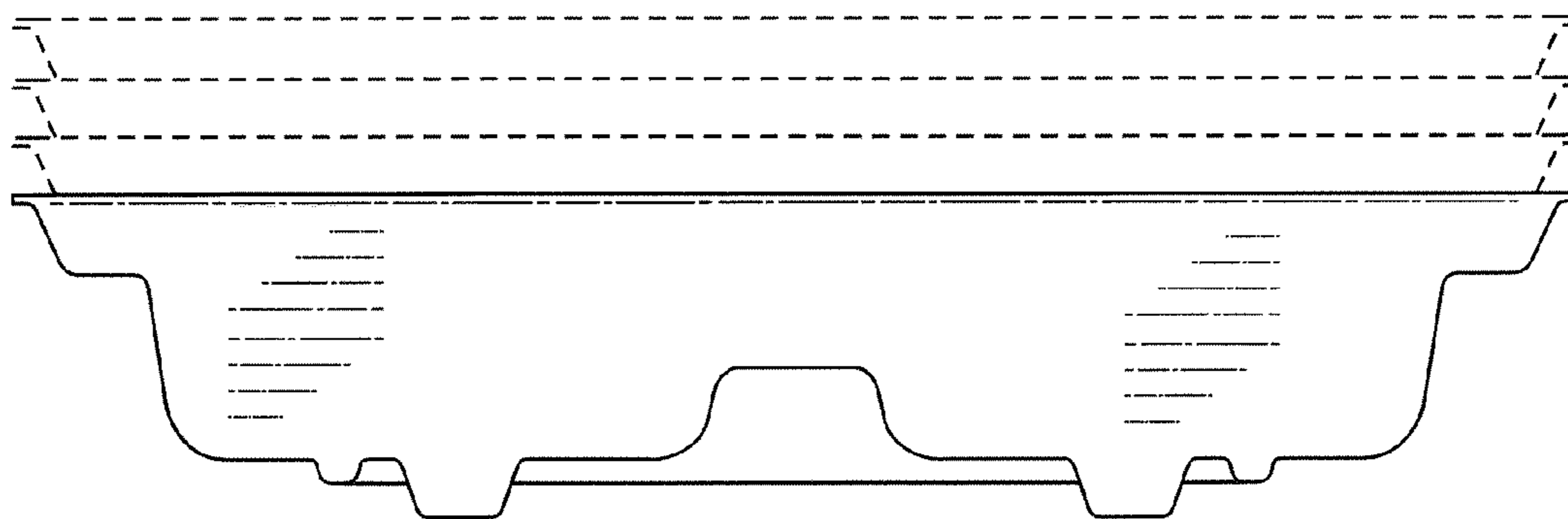


FIG. 67

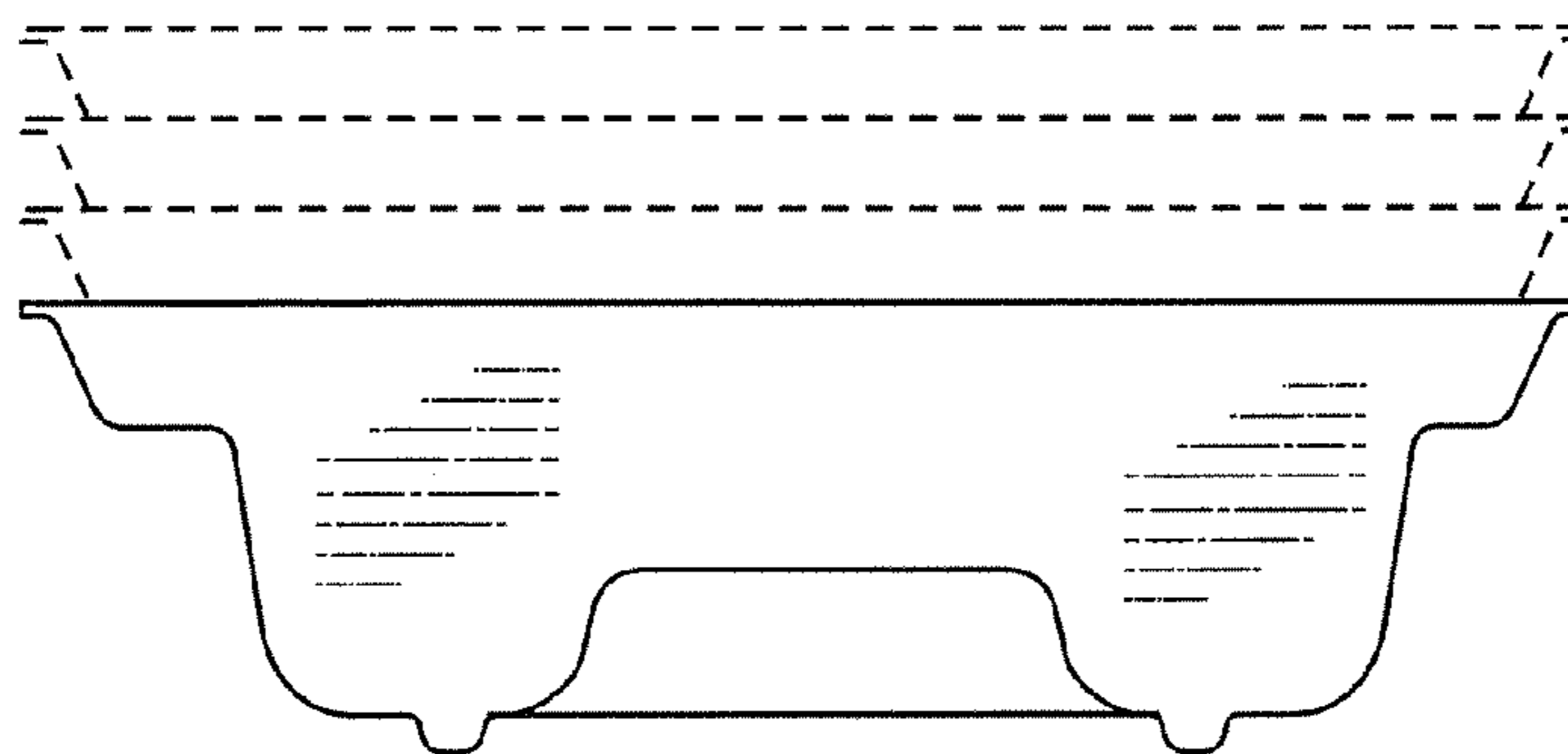


FIG. 68

UNITED STATES PATENT AND TRADEMARK OFFICE  
**CERTIFICATE OF CORRECTION**

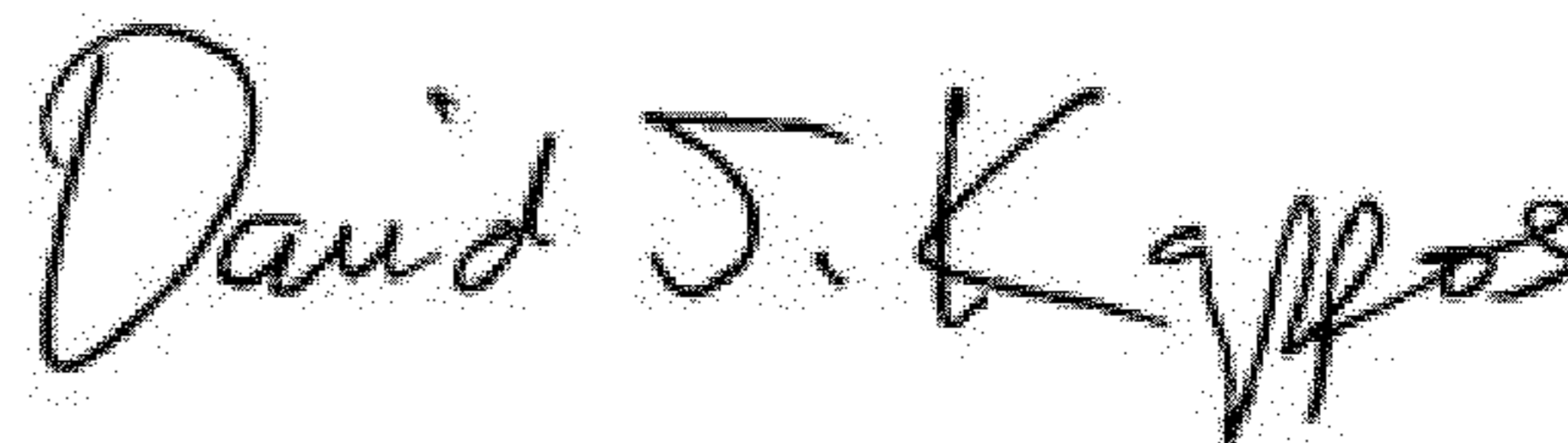
PATENT NO. : D659,023 S  
APPLICATION NO. : 29/340965  
DATED : May 8, 2012  
INVENTOR(S) : Sin Fang Fanny Hsu

Page 1 of 1

It is certified that error appears in the above-identified patent and that said Letters Patent is hereby corrected as shown below:

On the Title page, column 2, DESCRIPTION, line 9, delete “entree” and insert --entrée--.  
Second page, column 1, DESCRIPTION, line 32, delete “entré” and insert --entrée--.  
Second page, column 1, DESCRIPTION, line 41, delete “entré” and insert --entrée--.

Signed and Sealed this  
Ninth Day of October, 2012

A handwritten signature in black ink that reads "David J. Kappos". The signature is written in a cursive style with a large initial 'D' and 'K'.

David J. Kappos  
*Director of the United States Patent and Trademark Office*