



US00D659021S

(12) **United States Design Patent**
Kemner

(10) **Patent No.:** **US D659,021 S**

(45) **Date of Patent:** **** May 8, 2012**

(54) **BLISTER PACK FOR PHARMACEUTICALS**

(75) Inventor: **Stefan Kemner**, Schloss-Holte (DE)

(73) Assignee: **AvidiaMed GmbH**, Hamburg (DE)

(**) Term: **14 Years**

(21) Appl. No.: **29/404,545**

(22) Filed: **Oct. 21, 2011**

Related U.S. Application Data

(62) Division of application No. 29/347,756, filed on May 13, 2010, now Pat. No. Des. 650,295.

(30) **Foreign Application Priority Data**

Nov. 13, 2009	(EM)	001635830-0001
Nov. 13, 2009	(EM)	001635830-0002
Nov. 13, 2009	(EM)	001635830-0003
Nov. 13, 2009	(EM)	001635830-0004
Nov. 13, 2009	(EM)	001635830-0005
Nov. 13, 2009	(EM)	001635830-0006
Nov. 13, 2009	(EM)	001635830-0007
Nov. 13, 2009	(EM)	001635830-0008
Nov. 13, 2009	(EM)	001635830-0009
Nov. 13, 2009	(EM)	001635830-0010
Nov. 13, 2009	(EM)	001635830-0011
Nov. 13, 2009	(EM)	001635830-0012
Nov. 13, 2009	(EM)	001635830-0013
Nov. 13, 2009	(EM)	001635830-0014
Nov. 13, 2009	(EM)	001635830-0015
Nov. 13, 2009	(EM)	001635830-0016
Nov. 13, 2009	(EM)	001635830-0017
Nov. 13, 2009	(EM)	001635830-0018
Nov. 13, 2009	(EM)	001635830-0019
Nov. 13, 2009	(EM)	001635830-0020
Nov. 13, 2009	(EM)	001635830-0021

(51) **LOC (9) Cl.** **09-03**

(52) **U.S. Cl.** **D9/732**

(58) **Field of Classification Search** D9/414, D9/415, 416, 418, 430, 432, 433, 457, 730, D9/732, 737, 756, 757, 758, 761, 762; 220/23.2, 220/23.4, 500, 507, 555; 206/5, 5.1, 37, 206/38, 216, 235, 440, 448, 461, 462, 524.1, 206/527, 528, 530, 531, 532, 538, 539, 546, 206/566; D6/512, 515, 516; D3/201, 203.1, D3/203.2, 203.3, 264; D21/100, 102, 107, D21/121, 218

See application file for complete search history.

(56) **References Cited**

U.S. PATENT DOCUMENTS

2,705,579 A 4/1955 Mason

(Continued)

Primary Examiner — Thomas Johannes

(74) *Attorney, Agent, or Firm* — Venable LLP; Robert Kinberg; Leigh D. Thelen

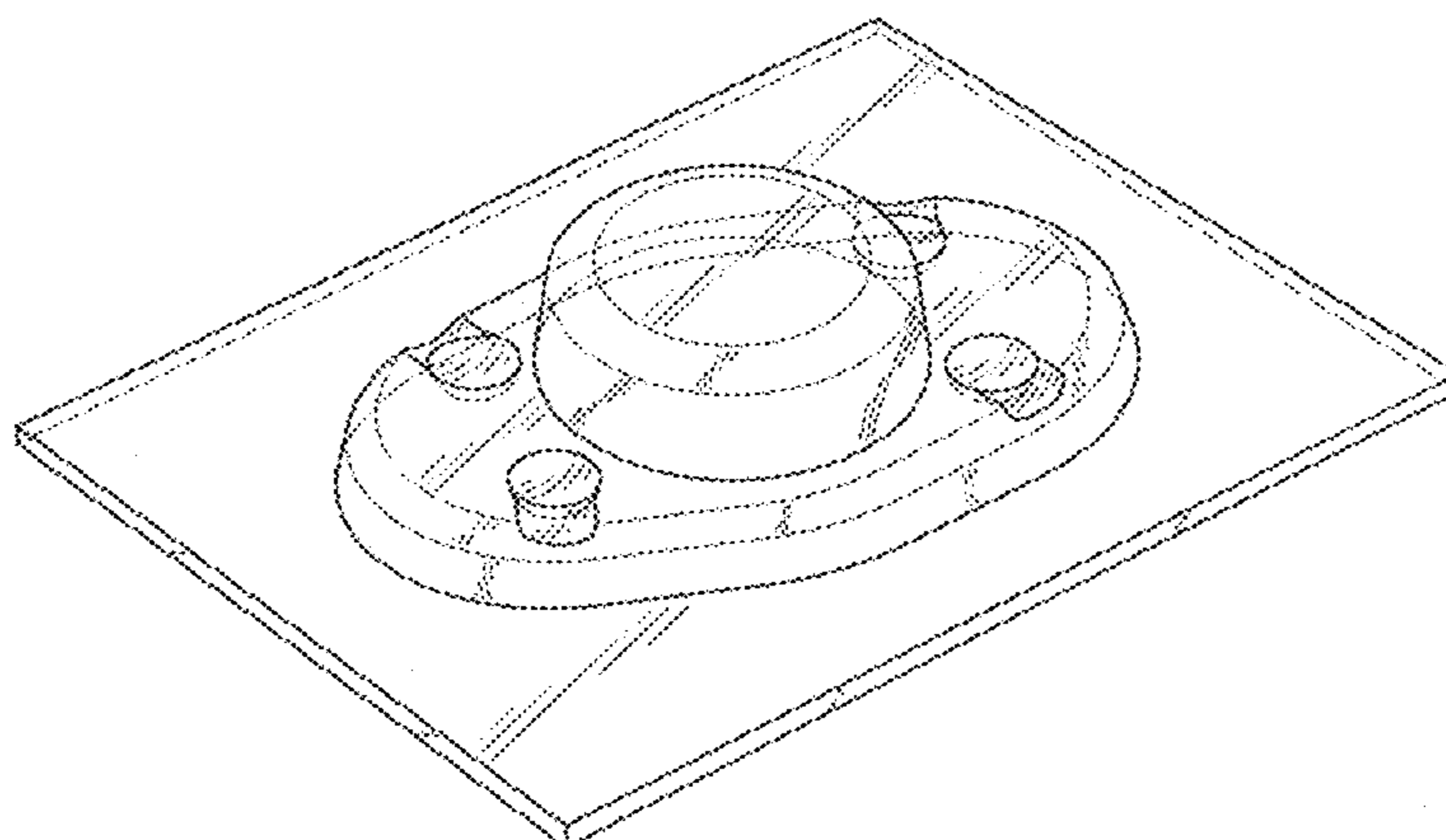
(57) **CLAIM**

The ornamental design for a blister pack for pharmaceuticals, as shown and described.

DESCRIPTION

FIG. 1 is a front-left-top perspective view of a blister pack for pharmaceuticals according to the present invention. FIG. 2 is a view from the top side thereof; FIG. 3 is a view from the bottom side thereof; FIG. 4 is a view from the left side thereof; FIG. 5 is a view from the right side thereof; FIG. 6 is a view from the front side thereof; and, FIG. 7 is a view from the rear side thereof. Although the design is illustrated as transparent, the claimed invention may also be embodied as opaque.

1 Claim, 5 Drawing Sheets



US D659,021 S

Page 2

U.S. PATENT DOCUMENTS

2,745,751	A	5/1956	Pichardo		D499,646	S	12/2004	Gibbs et al.
3,054,503	A *	9/1962	Hartman, Jr. et al.	206/531	D506,680	S	6/2005	Saelzer
D207,676	S	5/1967	Tugwood		D511,465	S	11/2005	Smith et al.
3,324,996	A *	6/1967	Jordt	206/531	D511,977	S	11/2005	Saelzer
3,503,493	A *	3/1970	Nagy	206/232	D513,589	S	1/2006	Grant
3,689,458	A *	9/1972	Hellstrom	206/530	D513,981	S	1/2006	Gibbs et al.
D237,865	S	12/1975	Meierhoefer		7,000,769	B2	2/2006	Killinger
4,096,945	A *	6/1978	Melton et al.	206/469	D517,410	S	3/2006	Grant
RE29,705	E *	7/1978	Compere	206/531	D544,370	S	6/2007	Tuccillo
4,168,002	A	9/1979	Crosby		D548,618	S	8/2007	Ferguson et al.
D253,516	S *	11/1979	Meierhoefer	D9/415	D548,620	S	8/2007	Ferguson et al.
D253,751	S	12/1979	Meierhoefer		D549,111	S	8/2007	Ferguson et al.
4,196,809	A *	4/1980	Tonrey	206/534	D555,724	S	11/2007	Brodie
D262,190	S	12/1981	Stanton		D558,603	S	1/2008	Priebe et al.
D263,559	S	3/1982	Poore		D588,471	S	3/2009	Fluegel et al.
4,574,954	A *	3/1986	Reid	206/531	D594,753	S	6/2009	Eadicicco et al.
D293,887	S	1/1988	Webster		D597,418	S	8/2009	Stojek
4,790,429	A	12/1988	Fukushima		D598,785	S	8/2009	Stojek
D306,825	S	3/1990	Siegel		D607,749	S	1/2010	Freeland et al.
D320,930	S	10/1991	Richards		D607,750	S	1/2010	Freeland et al.
5,088,603	A *	2/1992	Kirkpatrick	206/530	D607,752	S	1/2010	Freeland et al.
D350,478	S	9/1994	Fuller et al.		D614,045	S	4/2010	Gaudenzi et al.
D359,900	S	7/1995	Hawthorne		D620,375	S	7/2010	Sadler et al.
D387,977	S	12/1997	Kallgren		D622,158	S	8/2010	Proulx
5,695,798	A	12/1997	Rozzano		D627,220	S *	11/2010	LeMaster et al. D9/425
D415,416	S	10/1999	Anderson et al.		D628,090	S	11/2010	Stuiber et al.
D421,899	S	3/2000	Eneroth et al.		7,866,474	B2 *	1/2011	Geser et al. 206/532
6,093,430	A	7/2000	Gupta		8,051,983	B2 *	11/2011	Simon et al. 206/532
D444,379	S	7/2001	Assargren et al.		D650,295	S *	12/2011	Schmitz et al. D9/732
6,273,260	B1	8/2001	ColDepietro et al.		2002/0104773	A1	8/2002	Kalvelage et al.
6,338,407	B2 *	1/2002	Danville	206/532	2003/0006163	A1	1/2003	Patterson
D454,781	S	3/2002	Assargren et al.		2004/0026293	A1	2/2004	Hughes
D455,344	S	4/2002	Assargren et al.		2004/0093835	A1	5/2004	Siegel et al.
D455,345	S	4/2002	Assargren et al.		2006/0027480	A1	2/2006	Buss
D455,953	S	4/2002	Assargren et al.		2007/0246395	A1	10/2007	Arnold et al.
D480,646	S	10/2003	Borchard et al.		2009/0134051	A1	5/2009	Rapp et al.
6,675,972	B2	1/2004	Patterson		2009/0288978	A1	11/2009	Prud'Homme
D496,276	S	9/2004	Smith et al.		2011/0049003	A1	3/2011	Bellamah et al.
D499,642	S	12/2004	Karim					

* cited by examiner

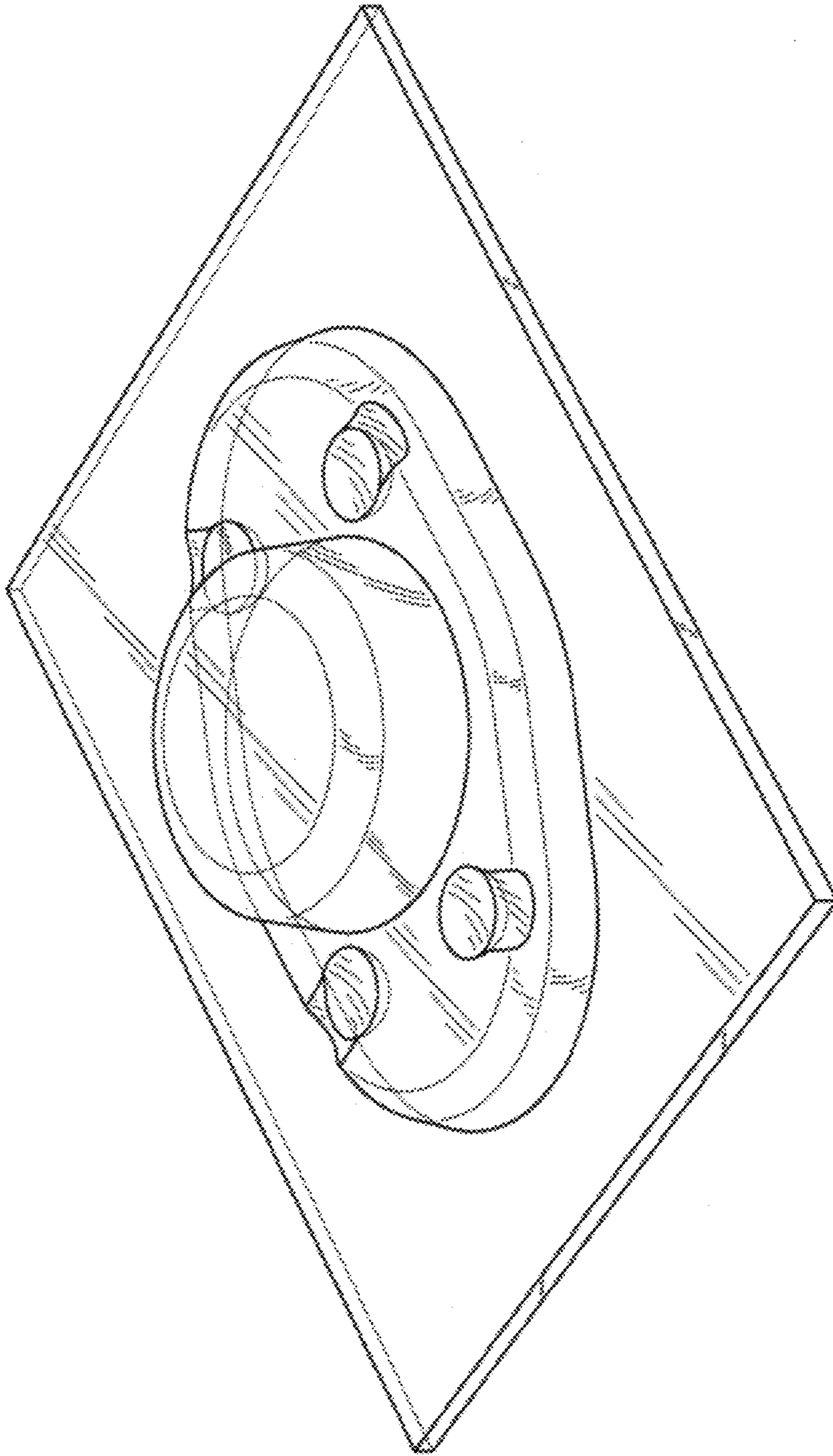


FIG. 1

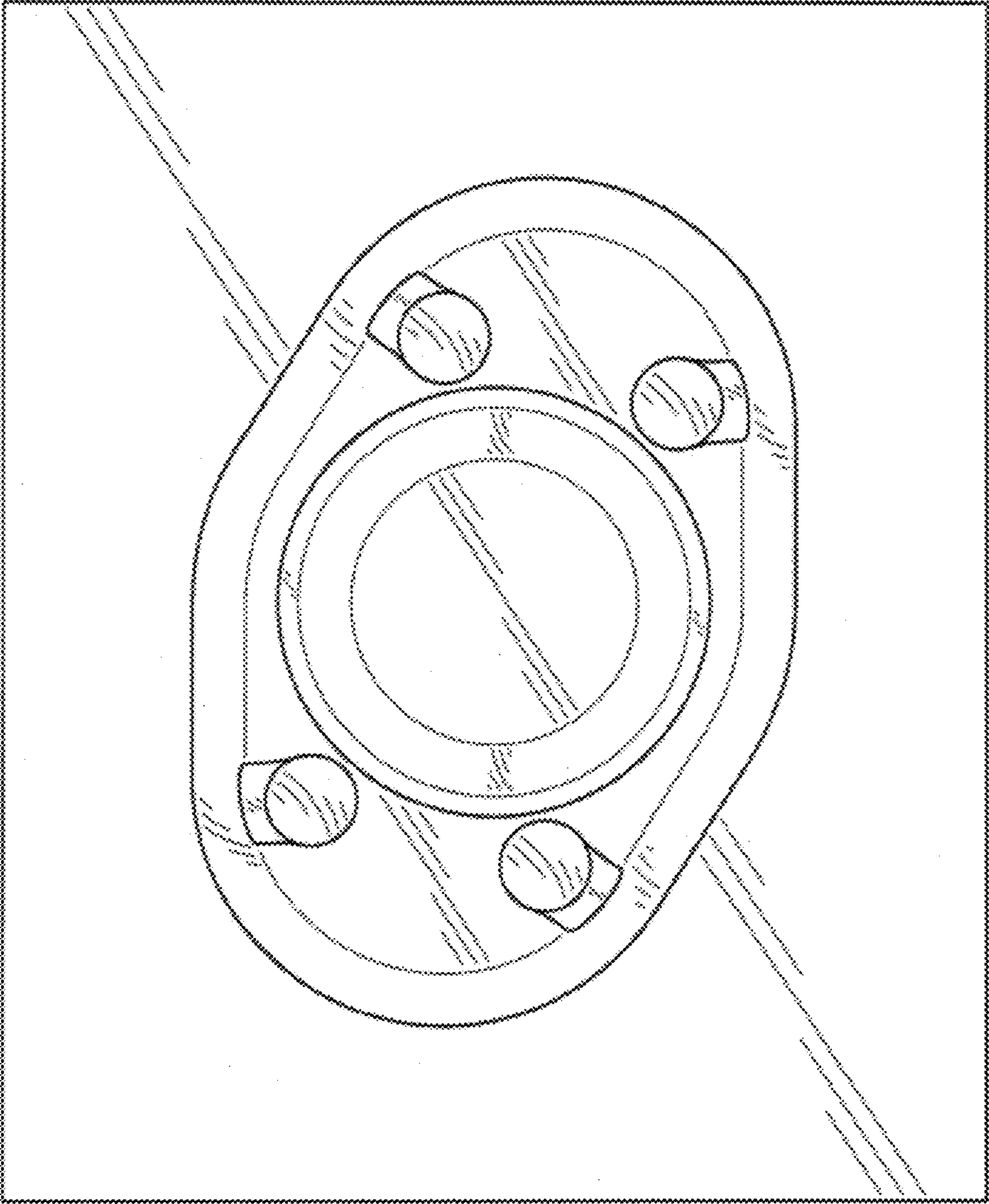


FIG. 2

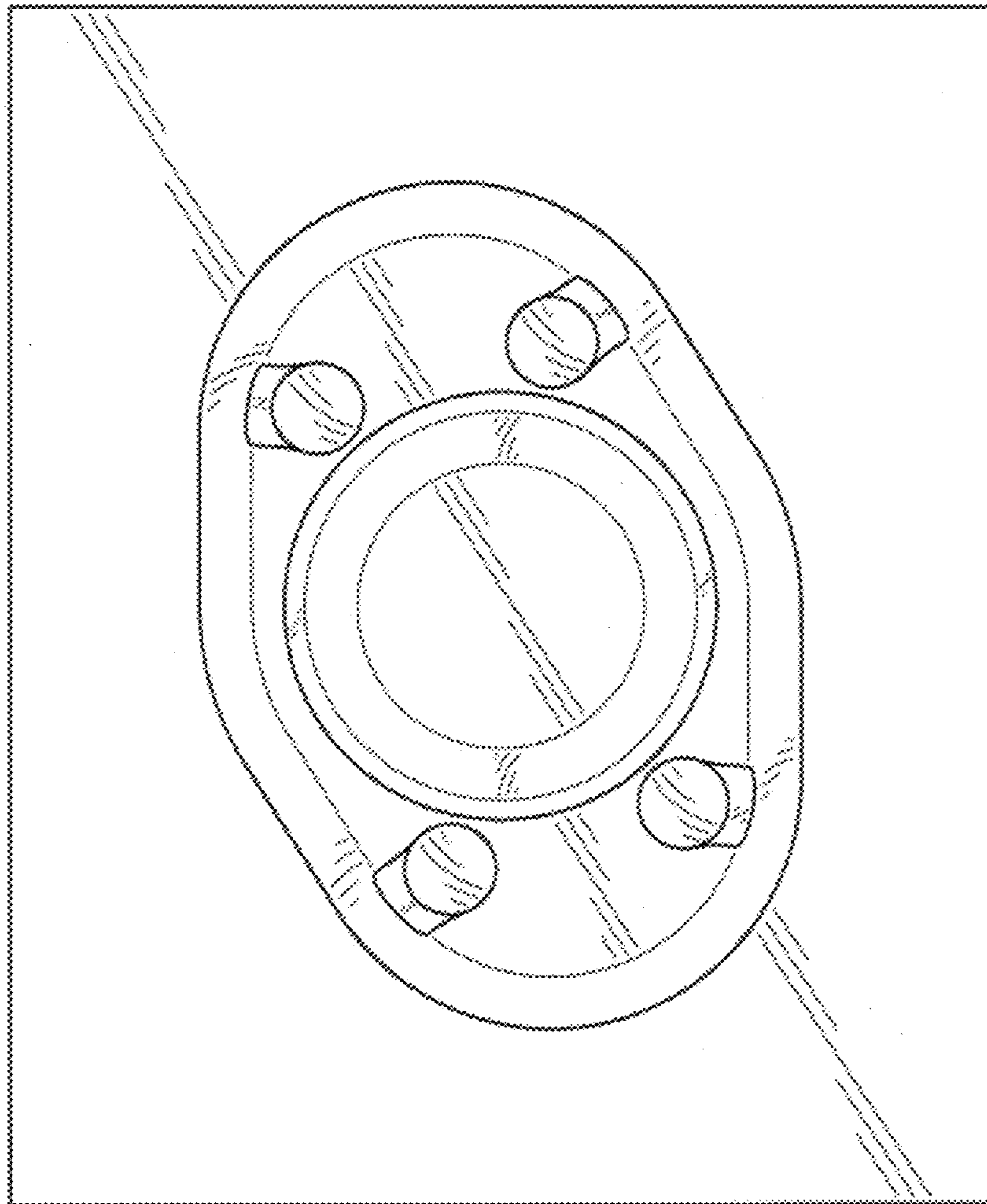


FIG. 3

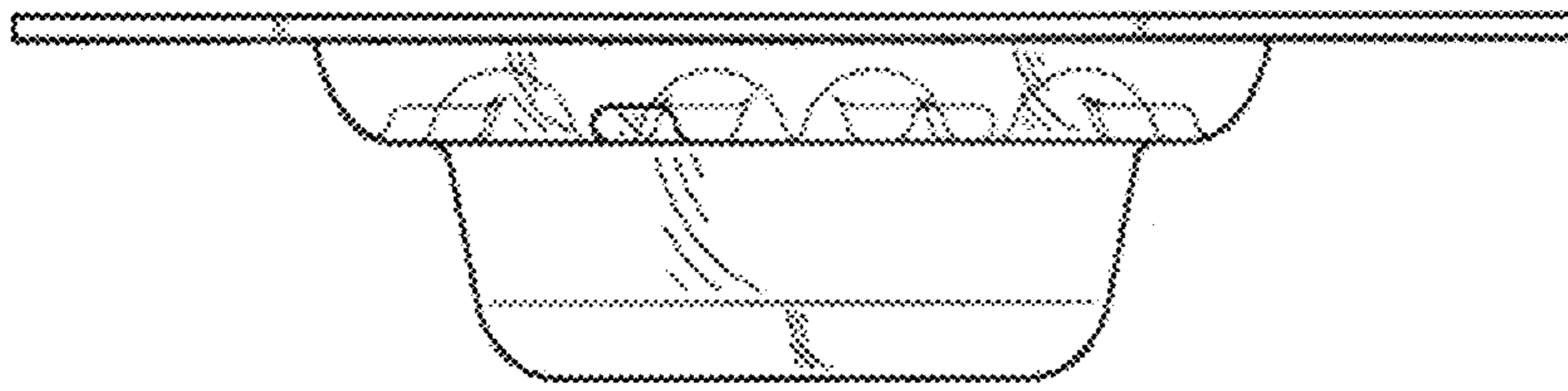


FIG. 5

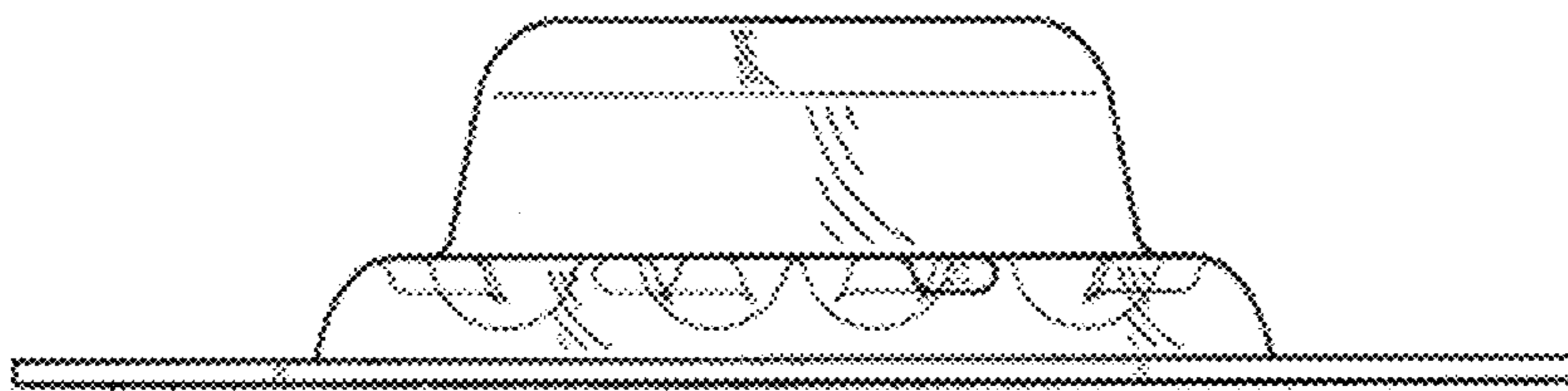


FIG. 4

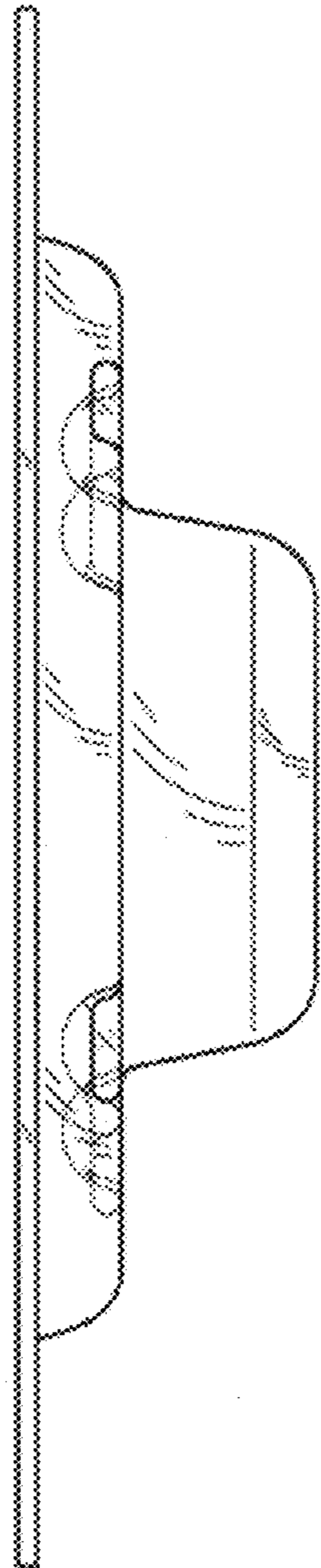


FIG. 6

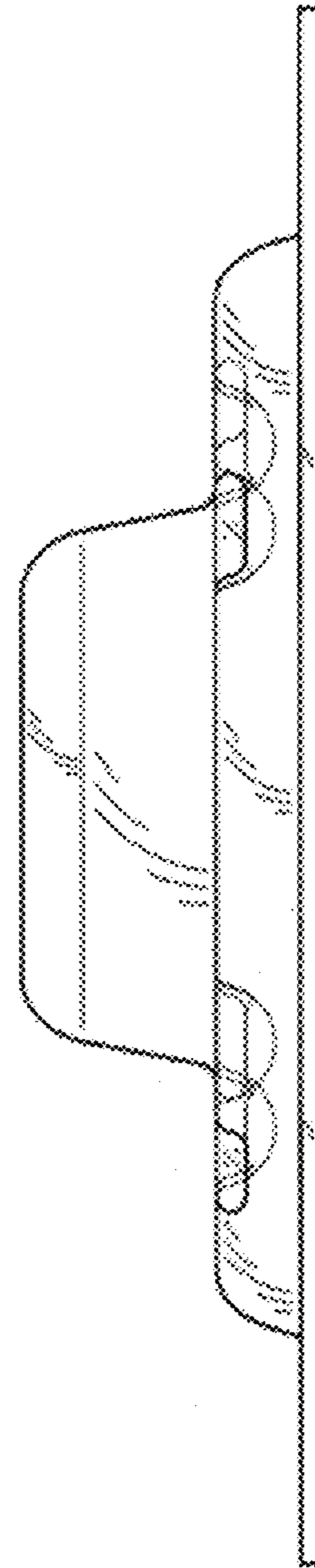


FIG. 7