



US00D659020S

(12) **United States Design Patent**
Kemner

(10) **Patent No.:** **US D659,020 S**

(45) **Date of Patent:** **** May 8, 2012**

(54) **BLISTER PACK FOR PHARMACEUTICALS**

(75) Inventor: **Stefan Kemner**, Schloss-Holte (DE)

(73) Assignee: **AvidiaMed GmbH**, Hamburg (DE)

(**) Term: **14 Years**

(21) Appl. No.: **29/404,541**

(22) Filed: **Oct. 21, 2011**

Related U.S. Application Data

(62) Division of application No. 29/347,756, filed on May 13, 2010, now Pat. No. Des. 650,295.

(30) **Foreign Application Priority Data**

Nov. 13, 2009	(EM)	001635830-0001
Nov. 13, 2009	(EM)	001635830-0002
Nov. 13, 2009	(EM)	001635830-0003
Nov. 13, 2009	(EM)	001635830-0004
Nov. 13, 2009	(EM)	001635830-0005
Nov. 13, 2009	(EM)	001635830-0006
Nov. 13, 2009	(EM)	001635830-0007
Nov. 13, 2009	(EM)	001635830-0008
Nov. 13, 2009	(EM)	001635830-0009
Nov. 13, 2009	(EM)	001635830-0010
Nov. 13, 2009	(EM)	001635830-0011
Nov. 13, 2009	(EM)	001635830-0012
Nov. 13, 2009	(EM)	001635830-0013
Nov. 13, 2009	(EM)	001635830-0014
Nov. 13, 2009	(EM)	001635830-0015
Nov. 13, 2009	(EM)	001635830-0016
Nov. 13, 2009	(EM)	001635830-0017
Nov. 13, 2009	(EM)	001635830-0018
Nov. 13, 2009	(EM)	001635830-0019
Nov. 13, 2009	(EM)	001635830-0020
Nov. 13, 2009	(EM)	001635830-0021

(51) **LOC (9) Cl.** **09-03**

(52) **U.S. Cl.** **D9/732**

(58) **Field of Classification Search** D9/414,
D9/415, 416, 418, 430, 432, 433, 457, 730,
D9/732, 737, 756, 757, 758, 761, 762; 220/23.2,
220/23.4, 500, 507, 555; 206/5, 5.1, 37,

206/38, 216, 235, 440, 448, 461, 462, 524.1,
527, 528, 530, 531, 532, 538, 539, 546, 566;
D6/512, 515, 516; D3/201, 203.1, 203.2,
203.3, 264; D21/100, 102, 107, 121, 218

See application file for complete search history.

(56) **References Cited**

U.S. PATENT DOCUMENTS

2,705,579 A 4/1955 Mason
(Continued)

Primary Examiner — Thomas Johannes

(74) *Attorney, Agent, or Firm* — Venable LLP; Robert Kinberg; Leigh D. Thelen

(57) **CLAIM**

The ornamental design for a blister pack for pharmaceuticals, as shown and described.

DESCRIPTION

FIG. 1 is a front-left-top perspective view of a blister pack for pharmaceuticals according to a first embodiment of the present invention;

FIG. 2 is a view from the top side thereof;

FIG. 3 is a view from the bottom side thereof;

FIG. 4 is a view from the left side thereof;

FIG. 5 is a view from the right side thereof;

FIG. 6 is a view from the front side thereof;

FIG. 7 is a view from the rear side thereof;

FIG. 8 is a front-left-top perspective view of a blister pack for pharmaceuticals according to a second embodiment of the present invention;

FIG. 9 is a view from the top side thereof;

FIG. 10 is a view from the bottom side thereof;

FIG. 11 is a view from the left side thereof;

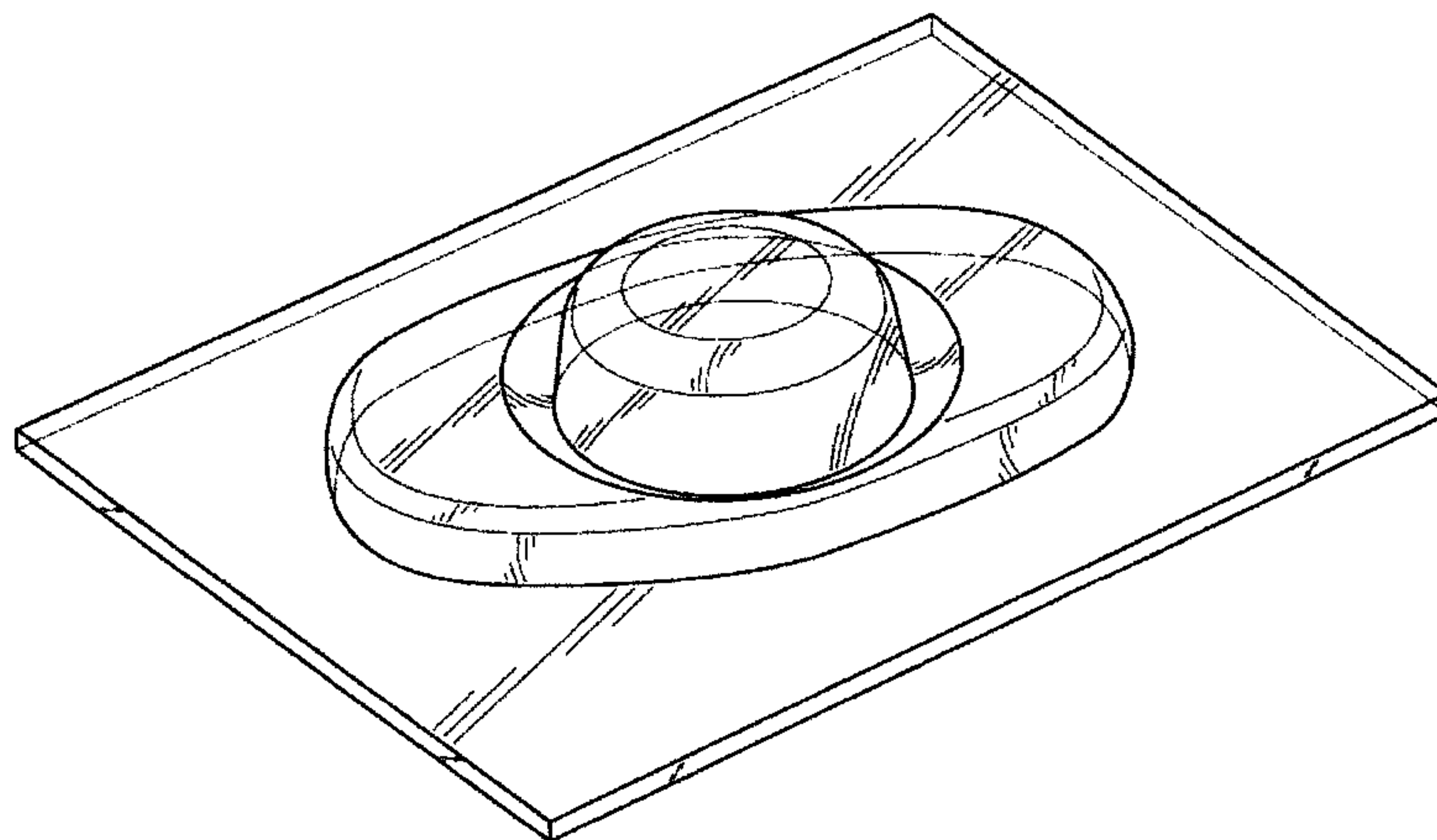
FIG. 12 is a view from the right side thereof;

FIG. 13 is a view from the front side thereof; and,

FIG. 14 is a view from the rear side thereof.

Although the design is illustrated as transparent, the claimed invention may also be embodied as opaque.

1 Claim, 10 Drawing Sheets



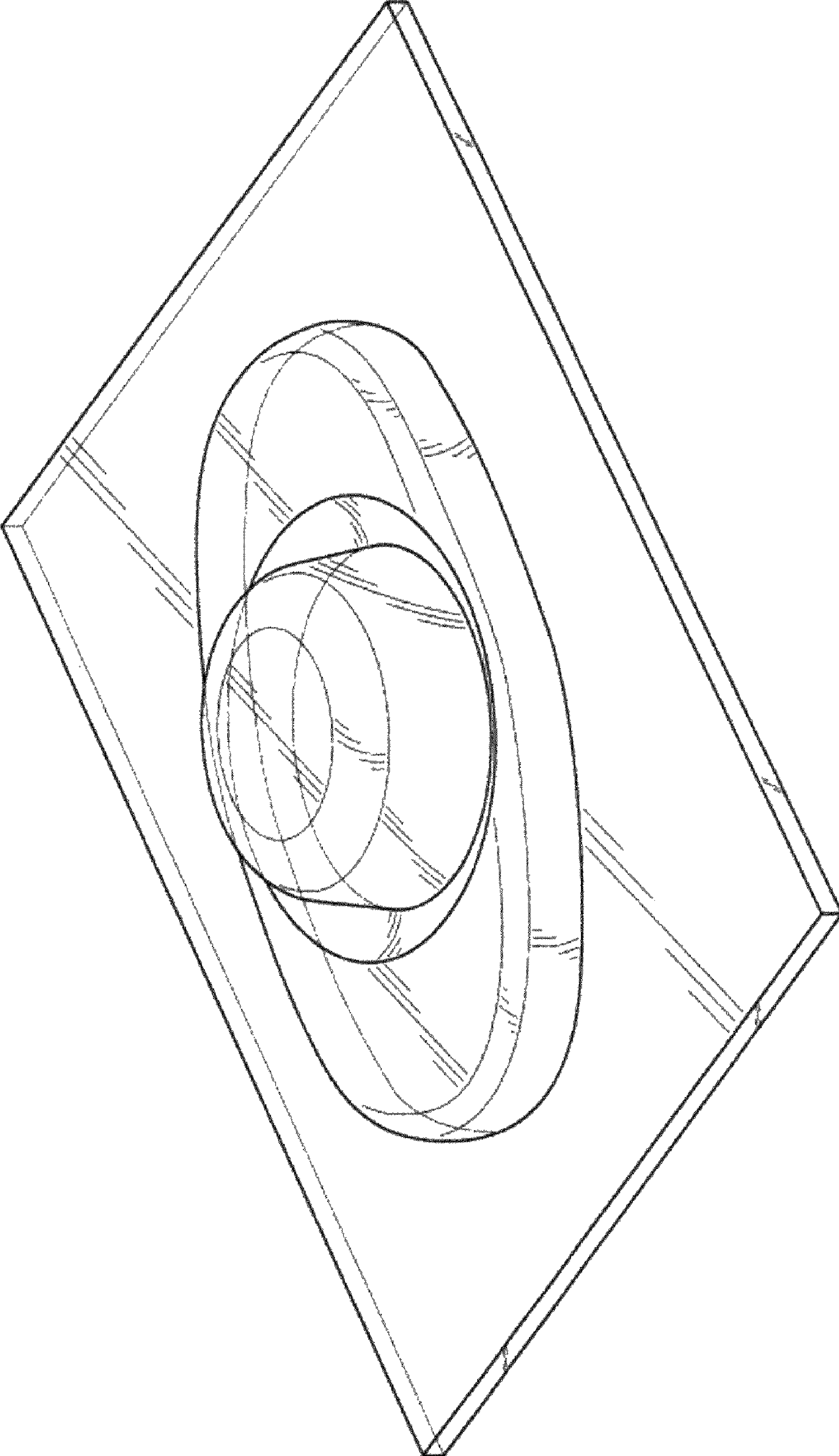


FIG. 1

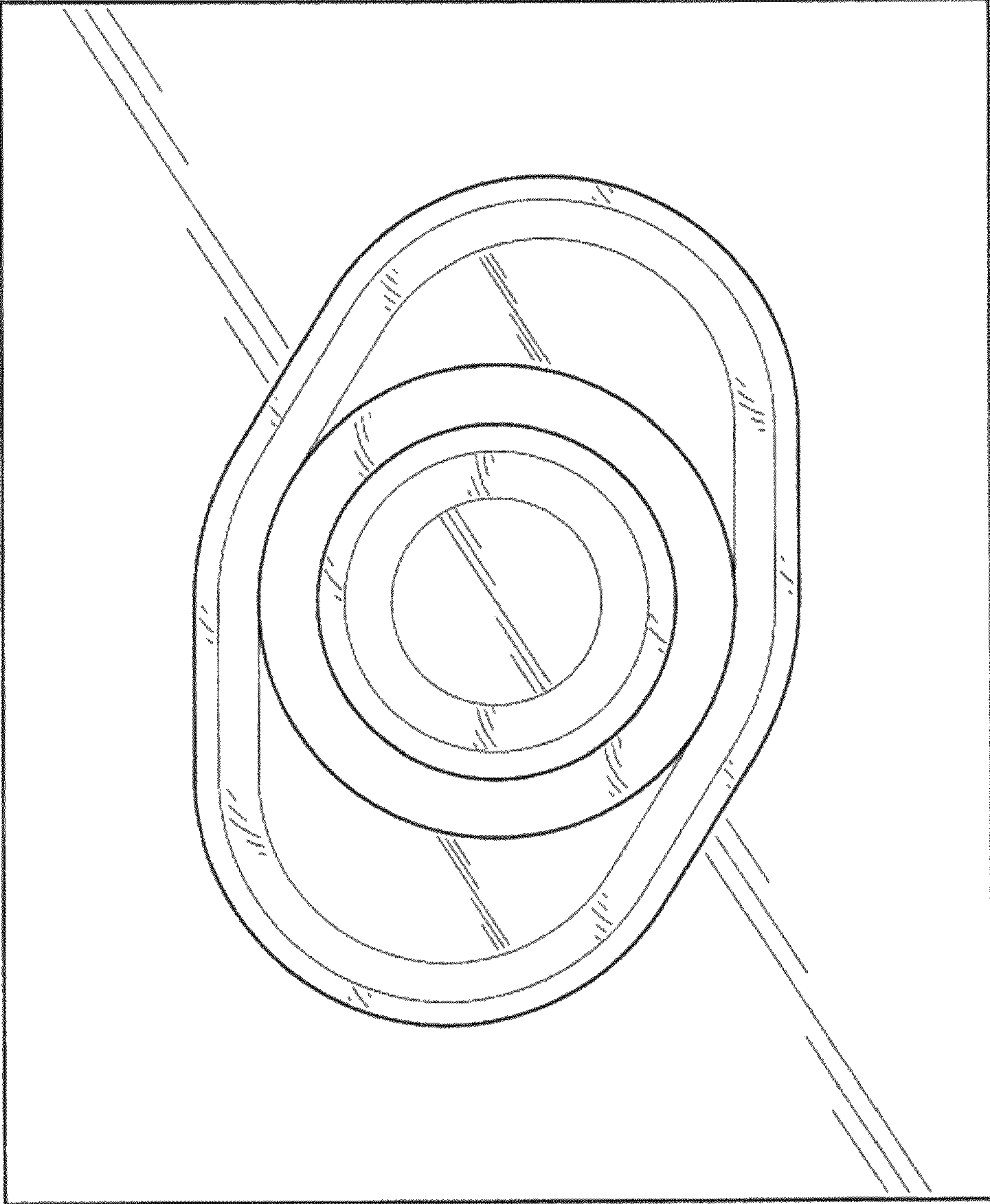


FIG. 2

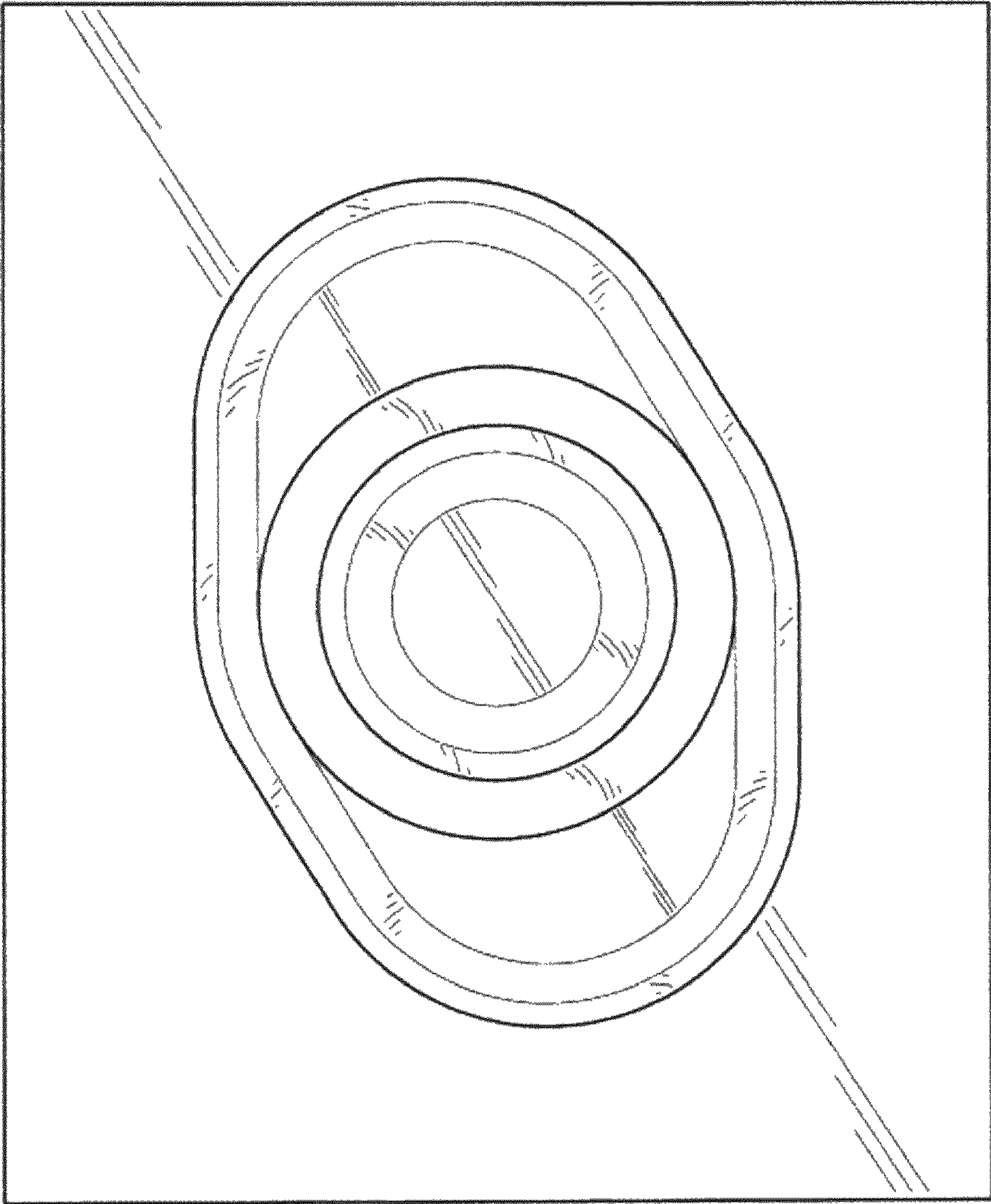


FIG. 3

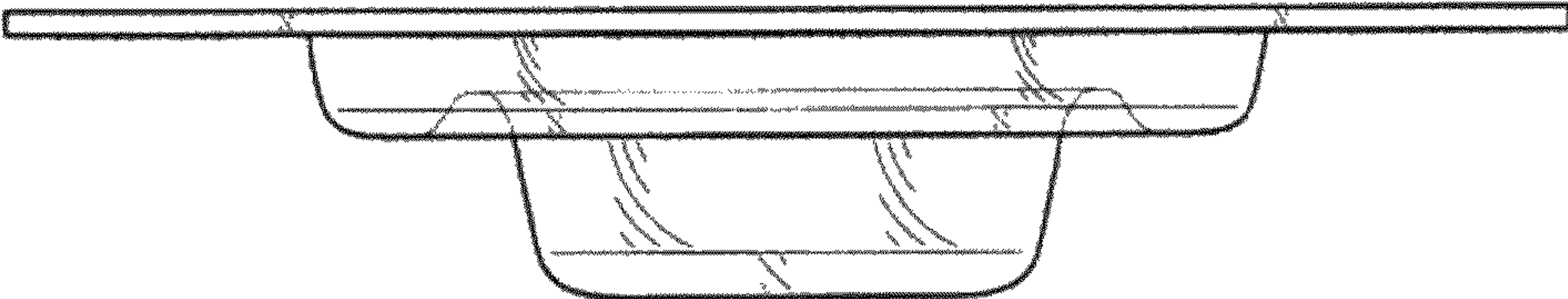


FIG. 5

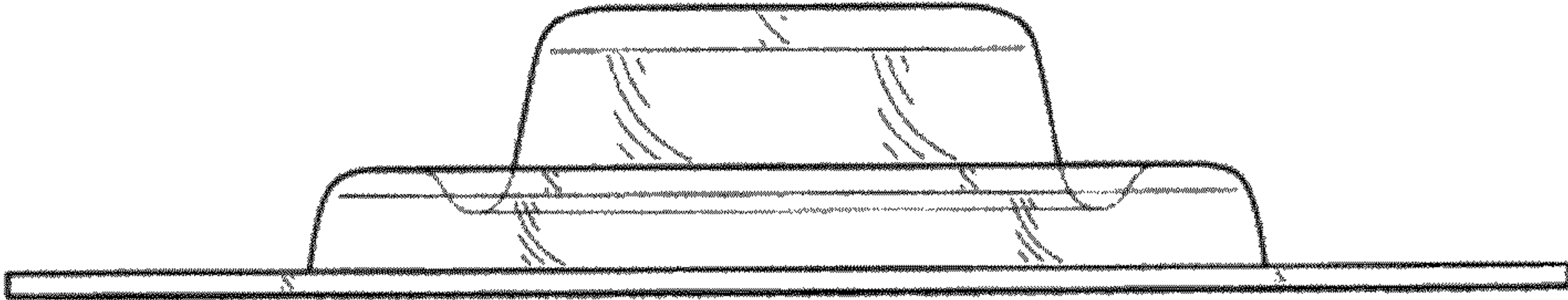


FIG. 4

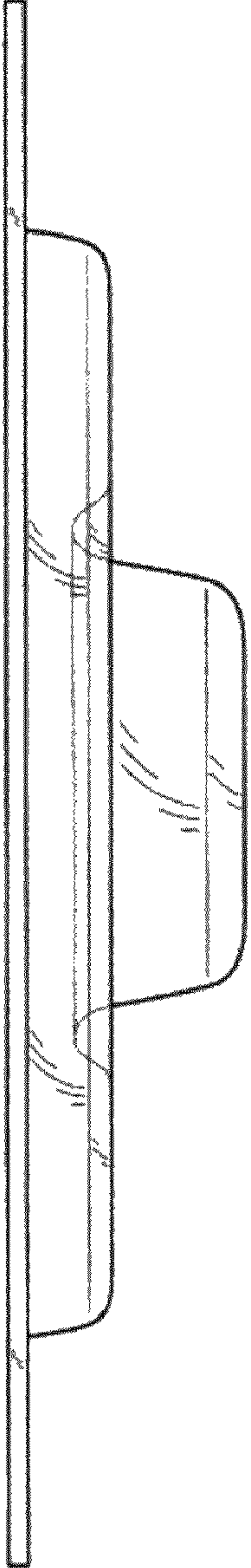


FIG. 6

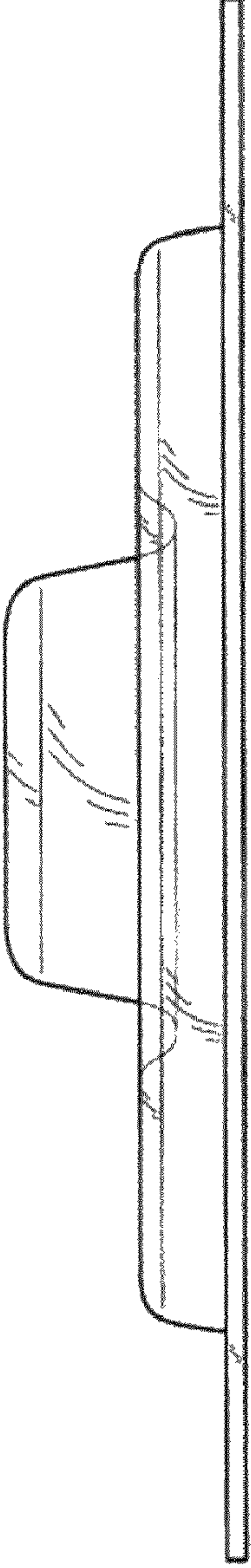


FIG. 7

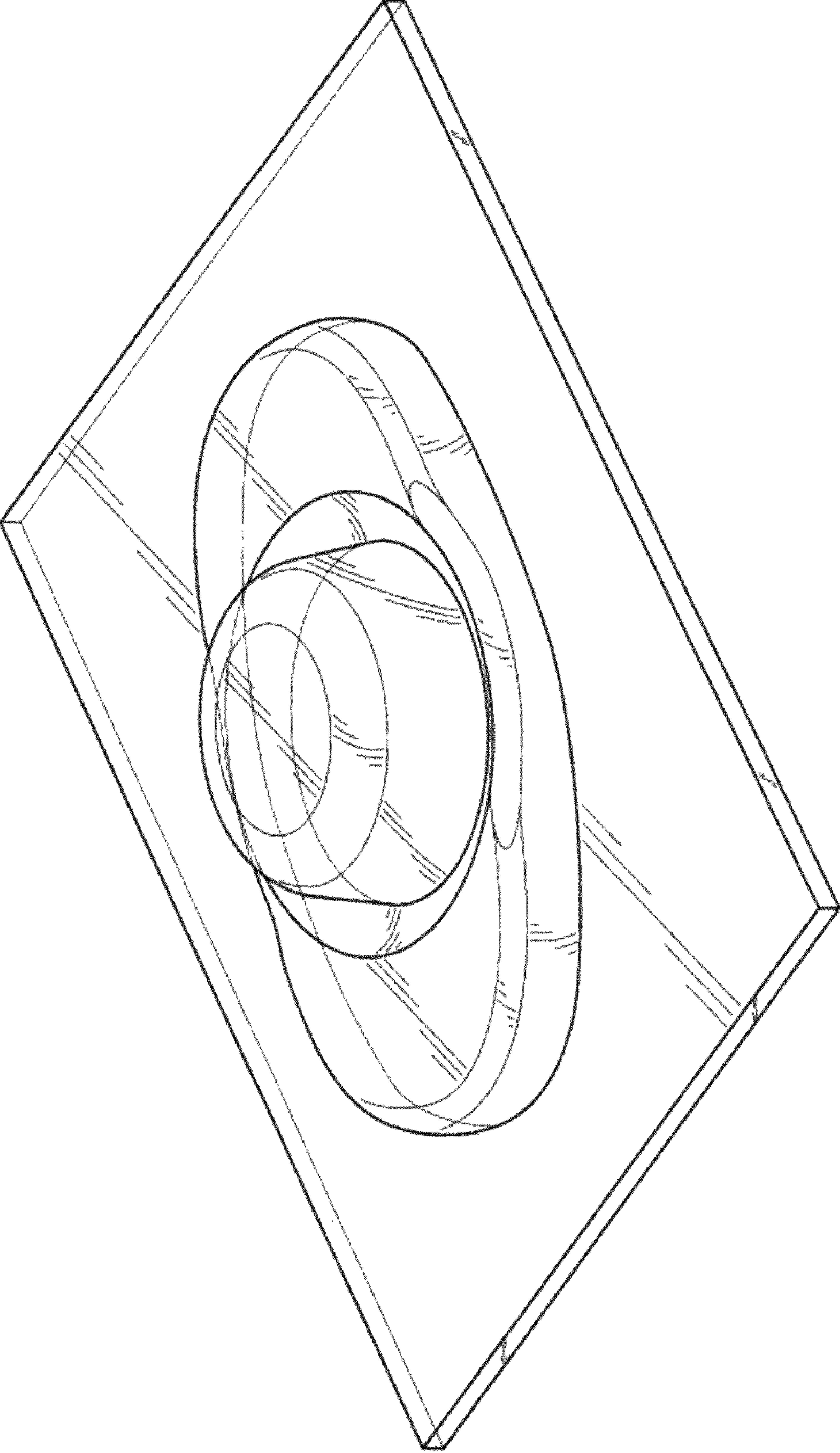


FIG. 8

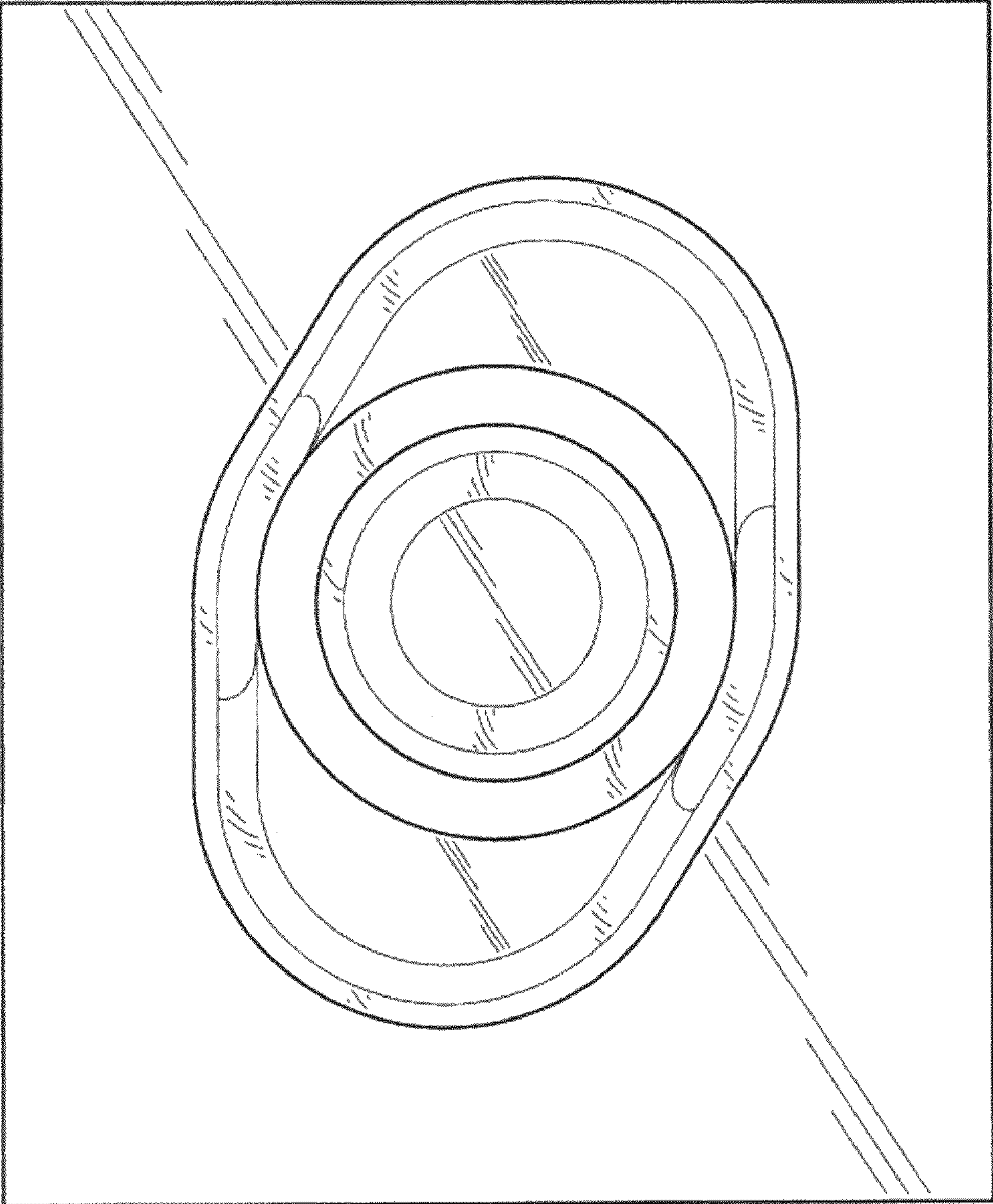


FIG. 9

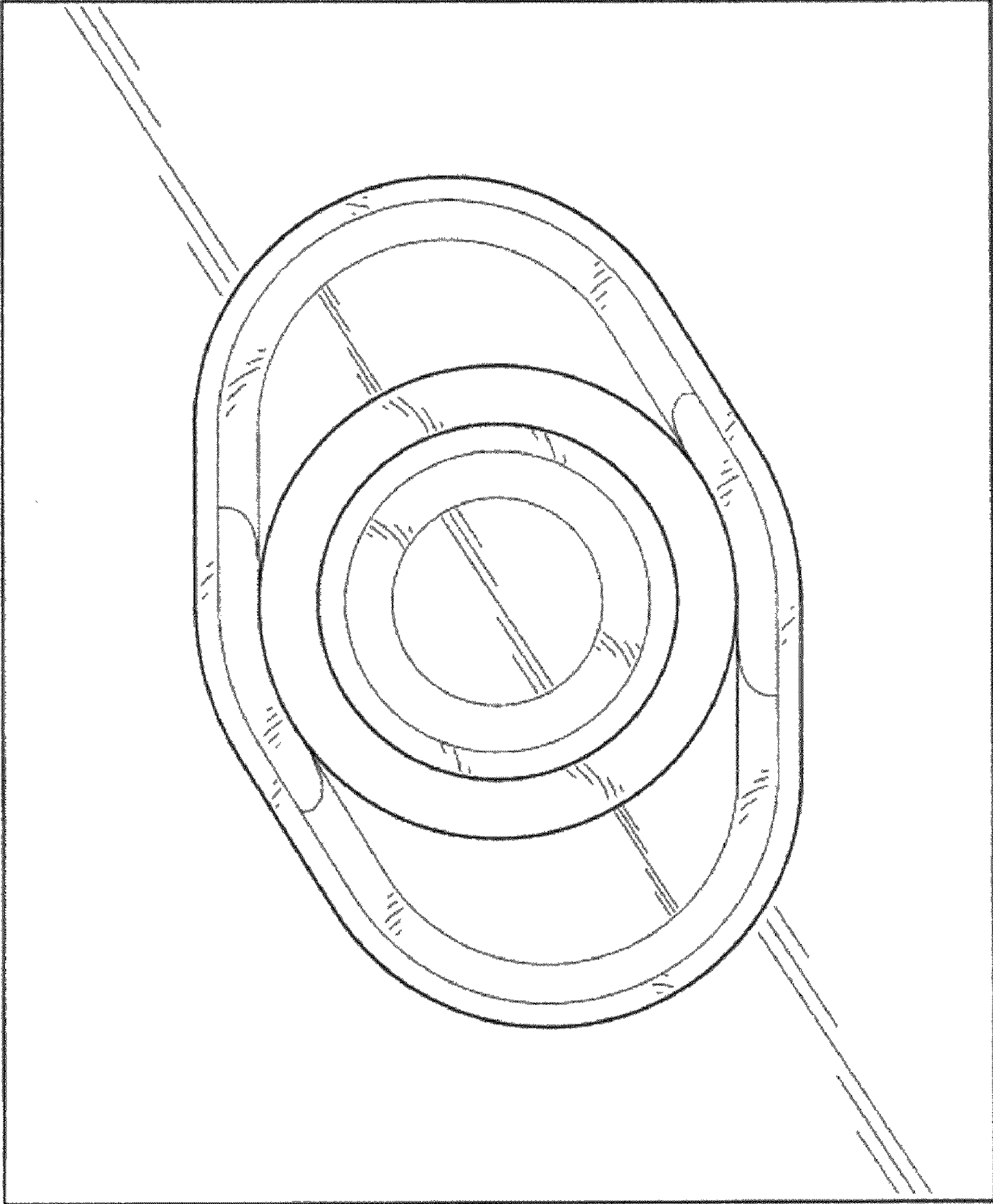


FIG. 10

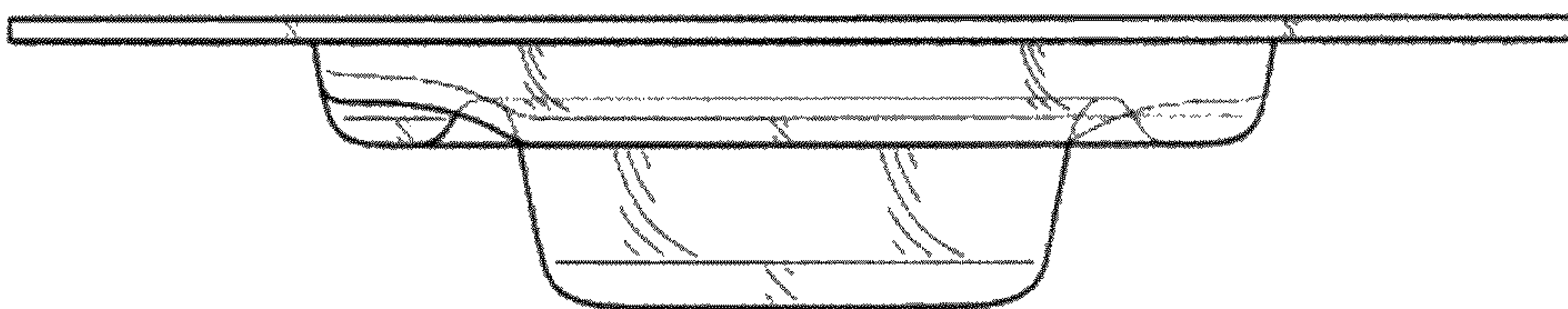


FIG. 12

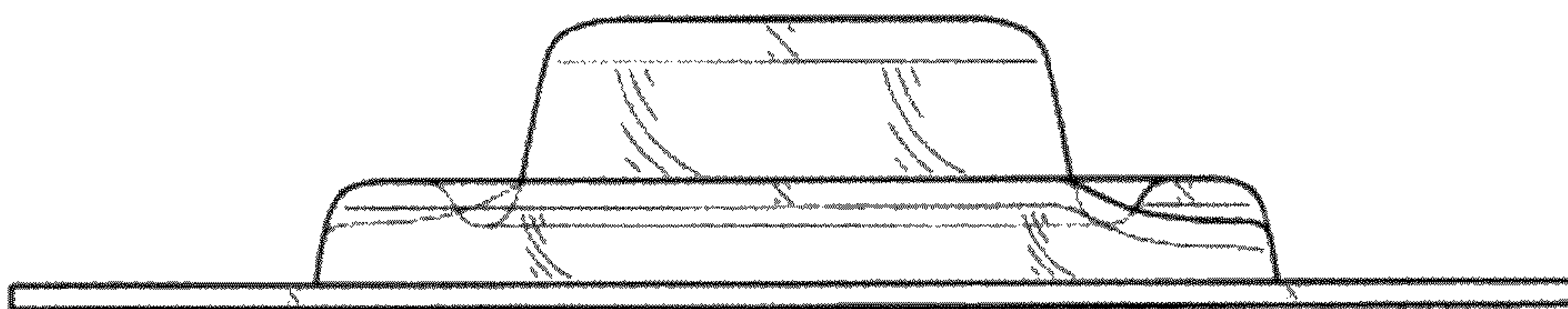


FIG. 11

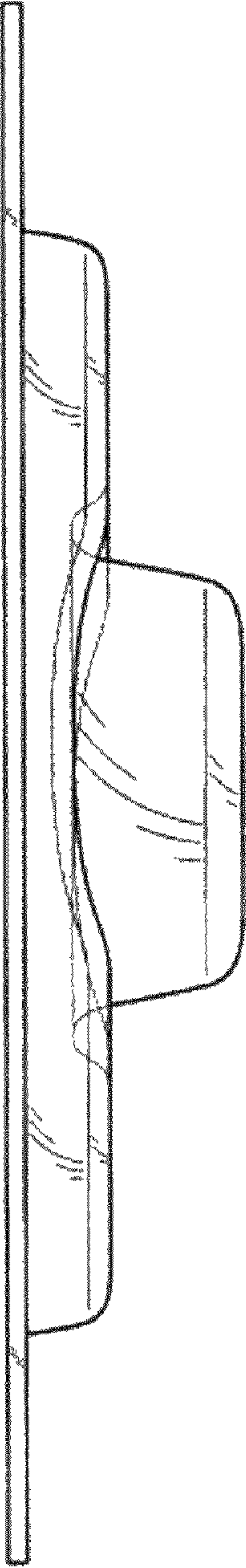


FIG. 13

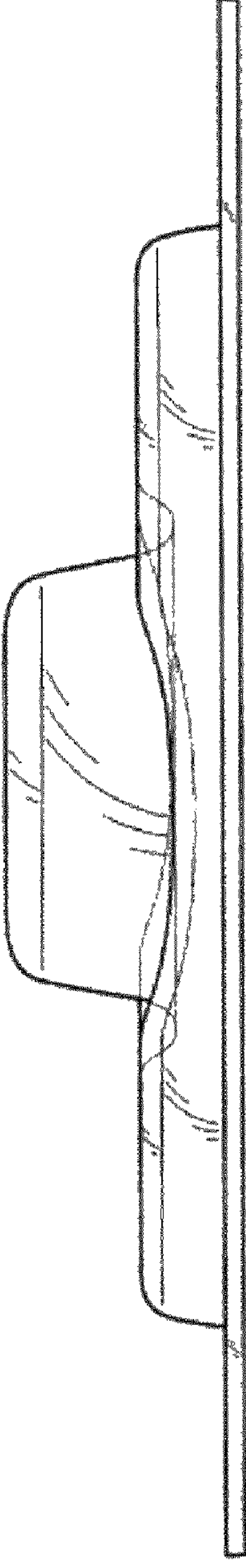


FIG. 14