



US00D659016S

(12) **United States Design Patent**
Kemner

(10) **Patent No.:** **US D659,016 S**
(45) **Date of Patent:** **** May 8, 2012**

(54) **BLISTER PACK FOR PHARMACEUTICALS**

(75) Inventor: **Stefan Kemner**, Schloss-Holte (DE)

(73) Assignee: **AvidiaMed GmbH**, Hamburg (DE)

(**) Term: **14 Years**

(21) Appl. No.: **29/404,550**

(22) Filed: **Oct. 21, 2011**

Related U.S. Application Data

(62) Division of application No. 29/347,756, filed on May 13, 2010, now Pat. No. Des. 650,295.

(30) **Foreign Application Priority Data**

| | | |
|---------------|------|----------------|
| Nov. 13, 2009 | (EM) | 001635830-0001 |
| Nov. 13, 2009 | (EM) | 001635830-0002 |
| Nov. 13, 2009 | (EM) | 001635830-0003 |
| Nov. 13, 2009 | (EM) | 001635830-0004 |
| Nov. 13, 2009 | (EM) | 001635830-0005 |
| Nov. 13, 2009 | (EM) | 001635830-0006 |
| Nov. 13, 2009 | (EM) | 001635830-0007 |
| Nov. 13, 2009 | (EM) | 001635830-0008 |
| Nov. 13, 2009 | (EM) | 001635830-0009 |
| Nov. 13, 2009 | (EM) | 001635830-0010 |
| Nov. 13, 2009 | (EM) | 001635830-0011 |
| Nov. 13, 2009 | (EM) | 001635830-0012 |
| Nov. 13, 2009 | (EM) | 001635830-0013 |
| Nov. 13, 2009 | (EM) | 001635830-0014 |
| Nov. 13, 2009 | (EM) | 001635830-0015 |
| Nov. 13, 2009 | (EM) | 001635830-0016 |
| Nov. 13, 2009 | (EM) | 001635830-0017 |
| Nov. 13, 2009 | (EM) | 001635830-0018 |
| Nov. 13, 2009 | (EM) | 001635830-0019 |
| Nov. 13, 2009 | (EM) | 001635830-0020 |
| Nov. 13, 2009 | (EM) | 001635830-0021 |

(51) **LOC (9) Cl.** **09-03**

(52) **U.S. Cl.** **D9/716; D9/732**

(58) **Field of Classification Search** D9/414, D9/415, 416, 418, 430, 432, 433, 457, 730, D9/732, 737, 756, 757, 758, 761, 762; 220/23.2, 220/23.4, 500, 507, 555; 206/5, 5.1, 37, 206/38, 216, 235, 440, 448, 461, 462, 524.1, 206/527, 528, 530, 531, 532, 538, 539, 546, 206/566; D6/512, 515, 516; D3/201, 203.1, D3/203.2, 203.3, 264; D21/100, 102, 107, D21/121, 218
See application file for complete search history.

(56) **References Cited**

U.S. PATENT DOCUMENTS

2,705,579 A 4/1955 Mason
(Continued)

Primary Examiner — Thomas Johannes

(74) *Attorney, Agent, or Firm* — Venable LLP; Robert Kinberg; Leigh D. Thelen

(57) **CLAIM**

The ornamental design for a blister pack for pharmaceuticals, as shown and described.

DESCRIPTION

FIG. 1 is a front-left-top perspective view of a blister pack for pharmaceuticals according to a first embodiment of the present invention.

FIG. 2 is a view from the top side thereof;

FIG. 3 is a view from the bottom side thereof;

FIG. 4 is a view from the left side thereof;

FIG. 5 is a view from the right side thereof;

FIG. 6 is a view from the front side thereof;

FIG. 7 is a view from the rear side thereof;

FIG. 8 is a front-left-top perspective view of a blister pack for pharmaceuticals according to a second embodiment of the present invention.

FIG. 9 is a view from the top side thereof;

FIG. 10 is a view from the bottom side thereof;

FIG. 11 is a view from the left side thereof;

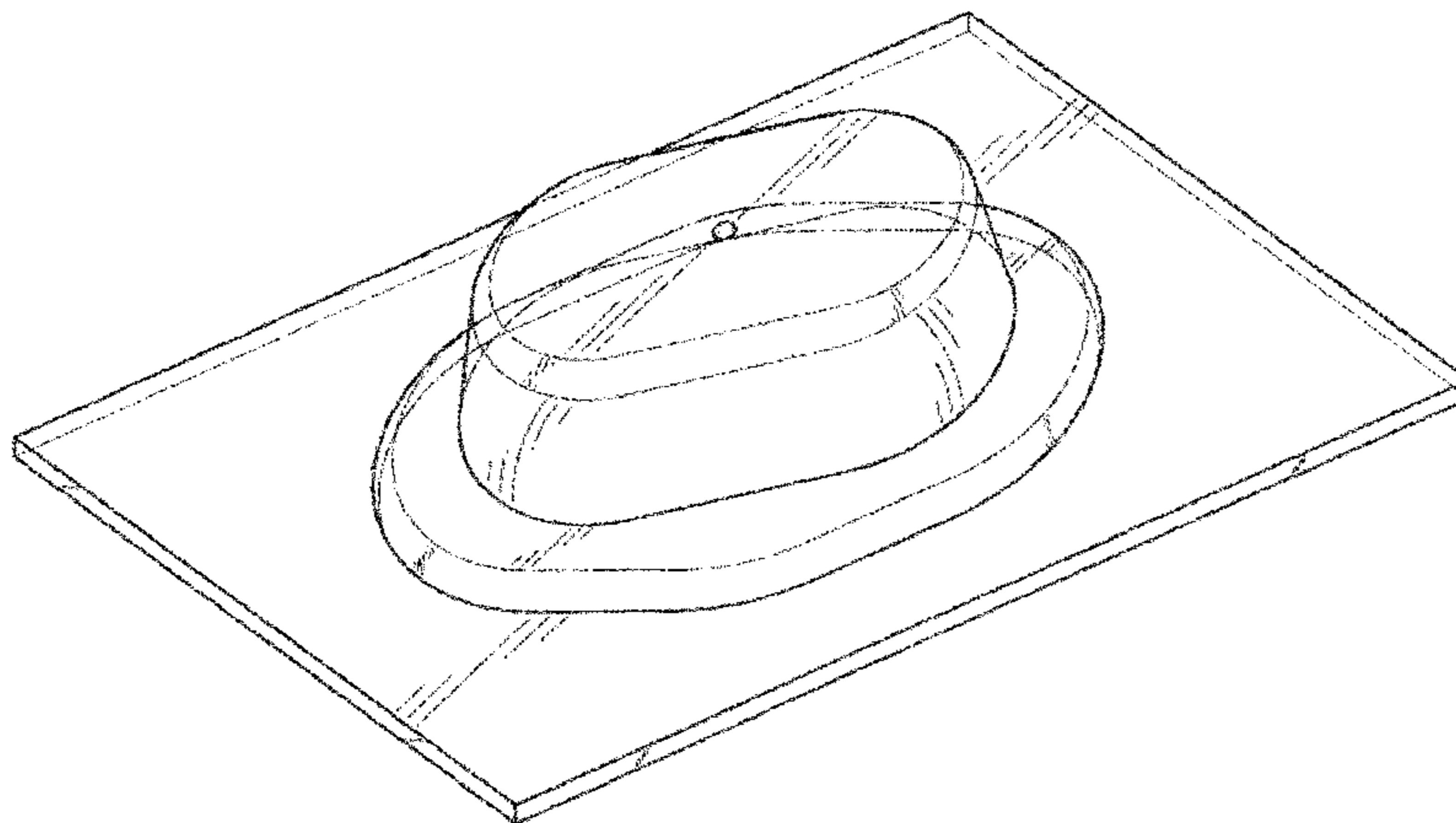
FIG. 12 is a view from the right side thereof;

FIG. 13 is a view from the front side thereof; and,

FIG. 14 is a view from the rear side thereof.

Although the designs is illustrated as transparent, the claimed invention may also be embodied as opaque.

1 Claim, 10 Drawing Sheets



US D659,016 S

Page 2

| U.S. PATENT DOCUMENTS | | | | | | | |
|-----------------------|------|---------|--------------------------|--------------|------|---------|----------------------|
| 2,745,751 | A | 5/1956 | Pichardo | D499,646 | S | 12/2004 | Gibbs et al. |
| 3,054,503 | A * | 9/1962 | Hartman, Jr. et al. | D506,680 | S | 6/2005 | Saelzer |
| D207,676 | S | 5/1967 | Tugwood | D511,465 | S | 11/2005 | Smith et al. |
| 3,324,996 | A * | 6/1967 | Jordt | D511,977 | S | 11/2005 | Saelzer |
| 3,503,493 | A * | 3/1970 | Nagy | D513,589 | S | 1/2006 | Grant |
| 3,689,458 | A * | 9/1972 | Hellstrom | D513,981 | S | 1/2006 | Gibbs et al. |
| D237,865 | S | 12/1975 | Meierhoefer | 7,000,769 | B2 | 2/2006 | Killinger |
| 4,096,945 | A * | 6/1978 | Melton et al. | D517,410 | S | 3/2006 | Grant |
| RE29,705 | E * | 7/1978 | Compere | D544,370 | S | 6/2007 | Tuccillo |
| 4,168,002 | A | 9/1979 | Crosby | D548,618 | S | 8/2007 | Ferguson et al. |
| D253,516 | S * | 11/1979 | Meierhoefer | D548,620 | S | 8/2007 | Ferguson et al. |
| D253,751 | S | 12/1979 | Meierhoefer | D549,111 | S | 8/2007 | Ferguson et al. |
| 4,196,809 | A * | 4/1980 | Tonrey | D555,724 | S | 11/2007 | Brodie |
| D262,190 | S | 12/1981 | Stanton | D558,603 | S | 1/2008 | Priebe et al. |
| D263,559 | S | 3/1982 | Poore | D588,471 | S | 3/2009 | Fluegel et al. |
| 4,574,954 | A * | 3/1986 | Reid | D594,753 | S | 6/2009 | Eadicicco et al. |
| D293,887 | S | 1/1988 | Webster | D597,418 | S | 8/2009 | Stojek |
| 4,790,429 | A | 12/1988 | Fukushima | D598,785 | S | 8/2009 | Stojek |
| D306,825 | S | 3/1990 | Siegel | D607,749 | S | 1/2010 | Freeland et al. |
| D320,930 | S | 10/1991 | Richards | D607,750 | S | 1/2010 | Freeland et al. |
| 5,088,603 | A * | 2/1992 | Kirkpatrick | D607,752 | S | 1/2010 | Freeland et al. |
| D350,478 | S | 9/1994 | Fuller et al. | D614,045 | S | 4/2010 | Gaudenzi et al. |
| D359,900 | S | 7/1995 | Hawthorne | D620,375 | S | 7/2010 | Sadler et al. |
| D387,977 | S | 12/1997 | Kallgren | D622,158 | S | 8/2010 | Proulx |
| 5,695,798 | A | 12/1997 | Rozzano | D627,220 | S * | 11/2010 | LeMaster et al. |
| D415,416 | S | 10/1999 | Anderson et al. | D628,090 | S | 11/2010 | Stuiber et al. |
| D421,899 | S | 3/2000 | Eneroth et al. | 7,866,474 | B2 * | 1/2011 | Geser et al. |
| 6,093,430 | A | 7/2000 | Gupta | 8,051,983 | B2 * | 11/2011 | Simon et al. |
| D444,379 | S | 7/2001 | Assargren et al. | D650,295 | S * | 12/2011 | Schmitz et al. |
| 6,273,260 | B1 | 8/2001 | ColDepietro et al. | 2002/0104773 | A1 | 8/2002 | Kalvelage et al. |
| 6,338,407 | B2 * | 1/2002 | Danville | 2003/0006163 | A1 | 1/2003 | Patterson |
| D454,781 | S | 3/2002 | Assargren et al. | 2004/0026293 | A1 | 2/2004 | Hughes |
| D455,344 | S | 4/2002 | Assargren et al. | 2004/0093835 | A1 | 5/2004 | Siegel et al. |
| D455,345 | S | 4/2002 | Assargren et al. | 2006/0027480 | A1 | 2/2006 | Buss |
| D455,953 | S | 4/2002 | Assargren et al. | 2007/0246395 | A1 | 10/2007 | Arnold et al. |
| D480,646 | S | 10/2003 | Borchard et al. | 2009/0134051 | A1 | 5/2009 | Rapp et al. |
| 6,675,972 | B2 | 1/2004 | Patterson | 2009/0288978 | A1 | 11/2009 | Prud'Homme |
| D496,276 | S | 9/2004 | Smith et al. | 2011/0049003 | A1 | 3/2011 | Bellamah et al. |
| D499,642 | S | 12/2004 | Karim | | | | |

* cited by examiner

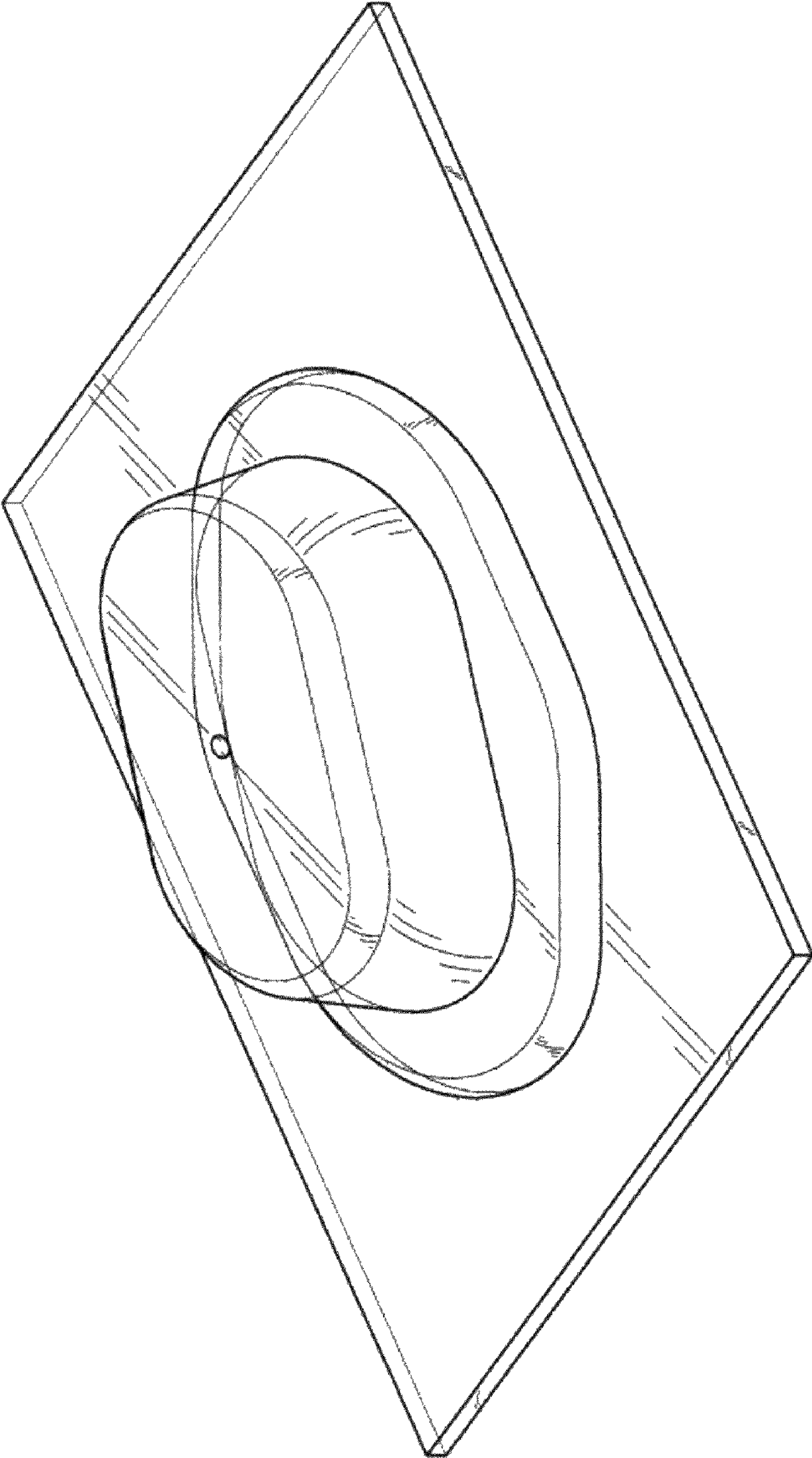


FIG. 1

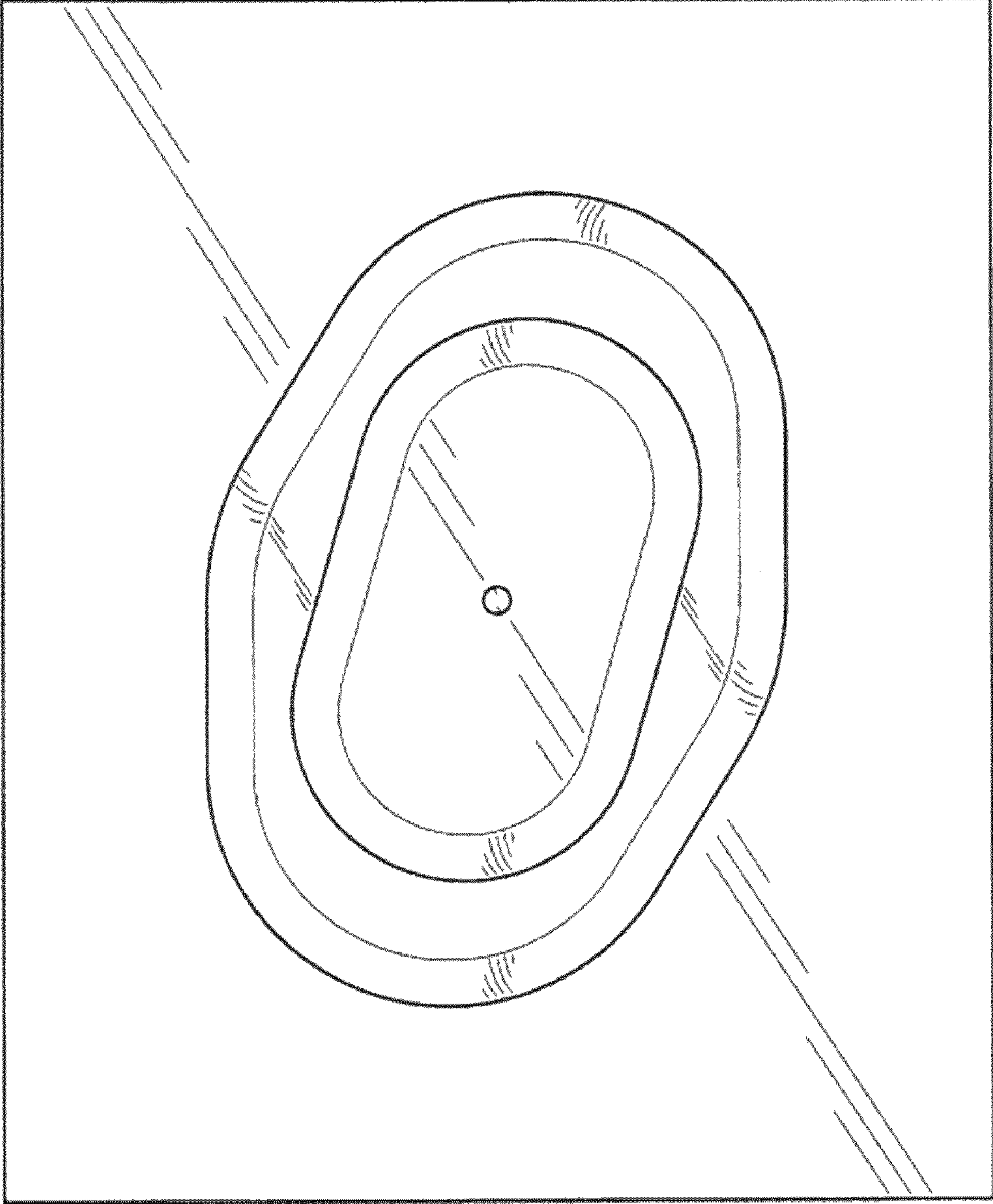


FIG. 2

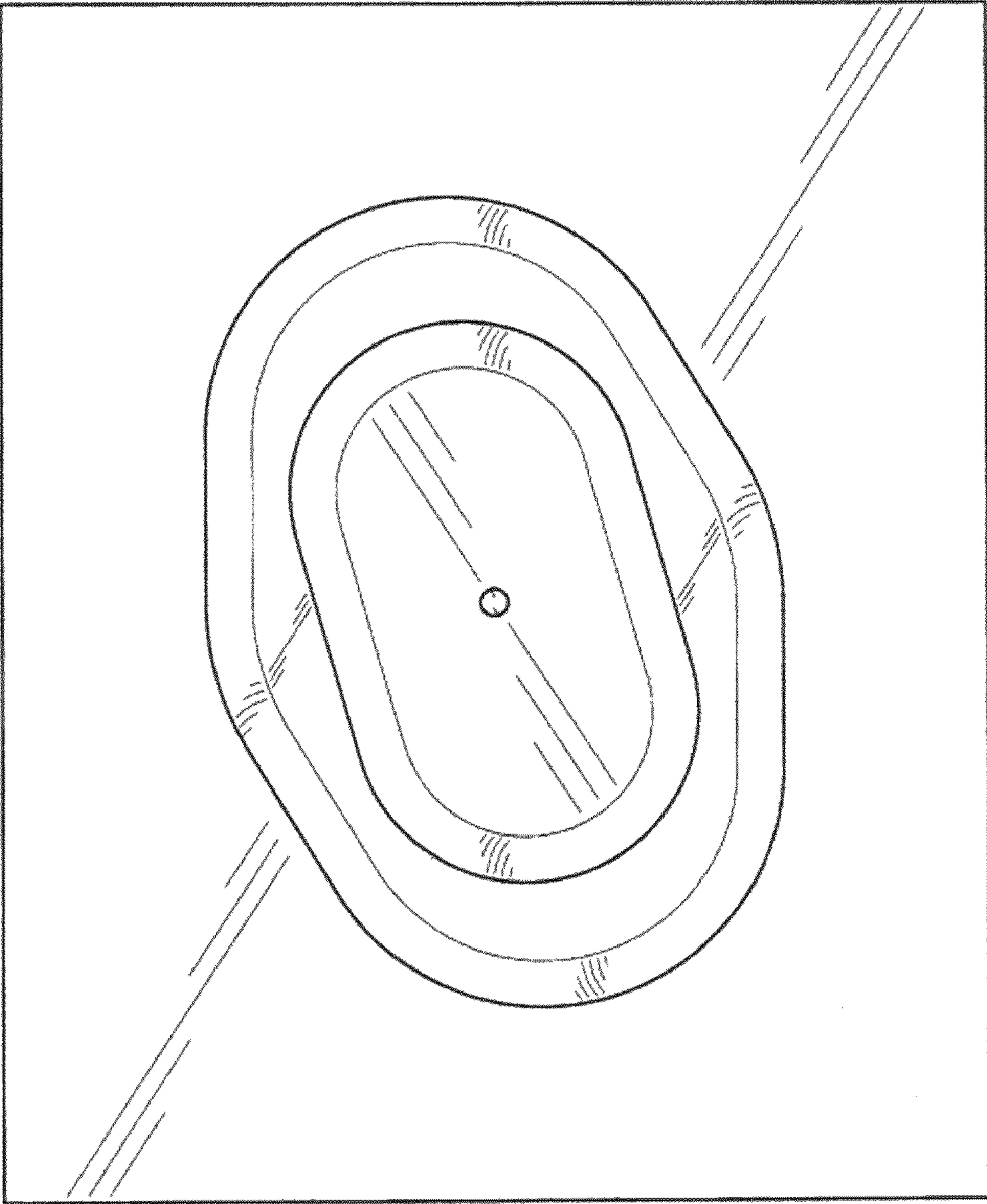


FIG. 3

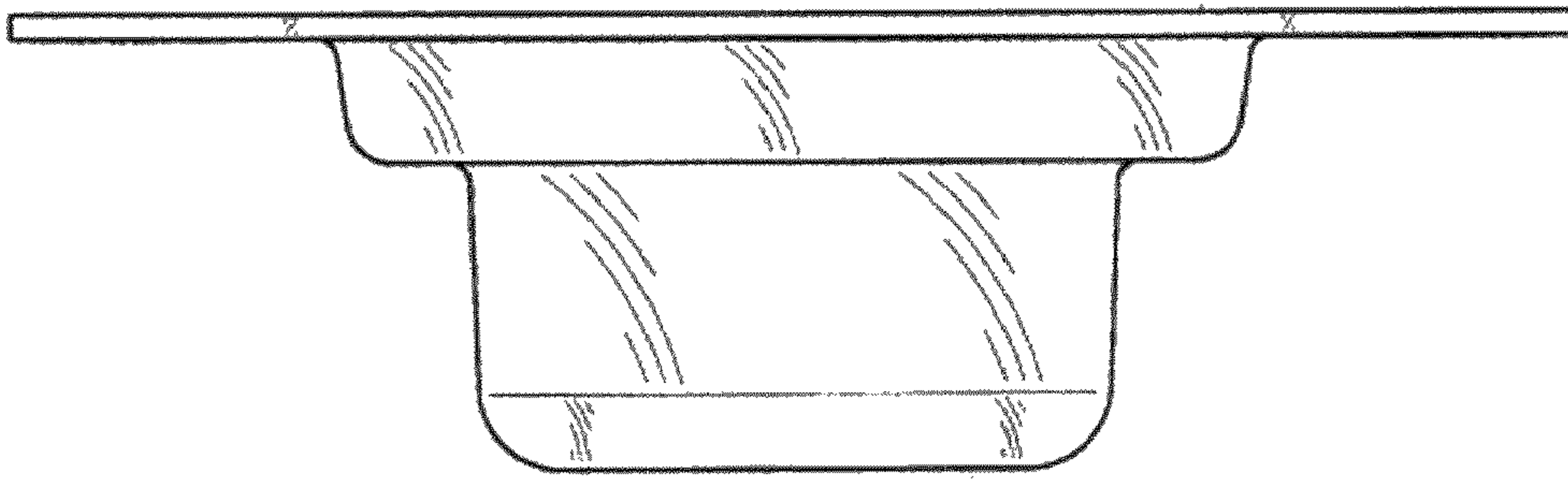


FIG. 5

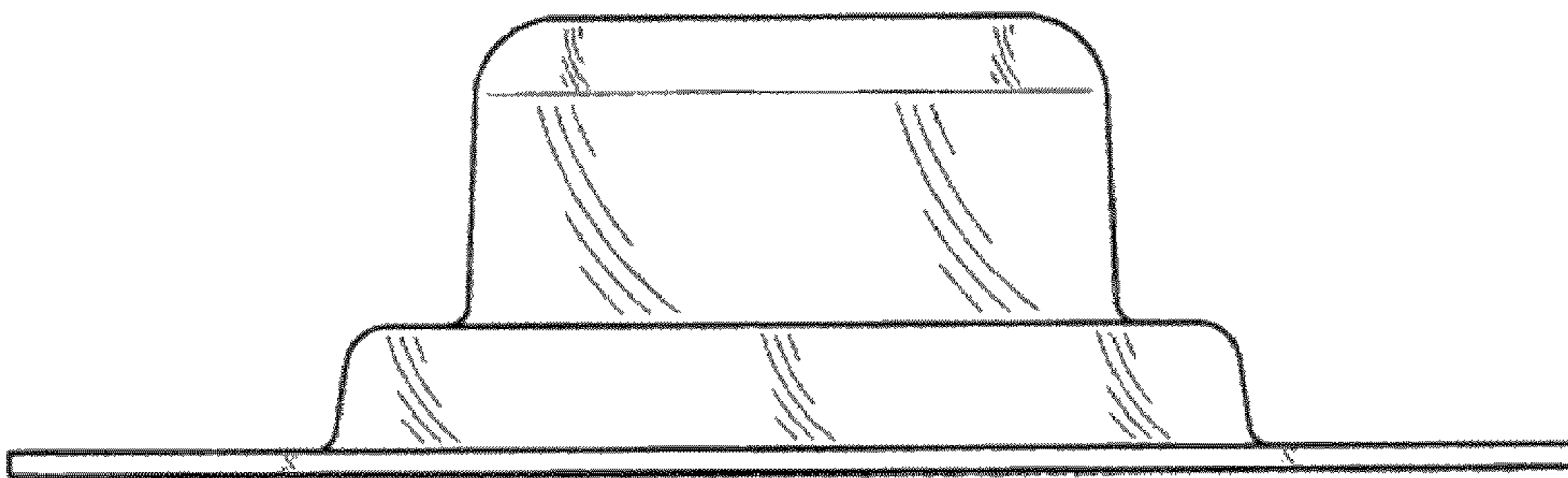


FIG. 4

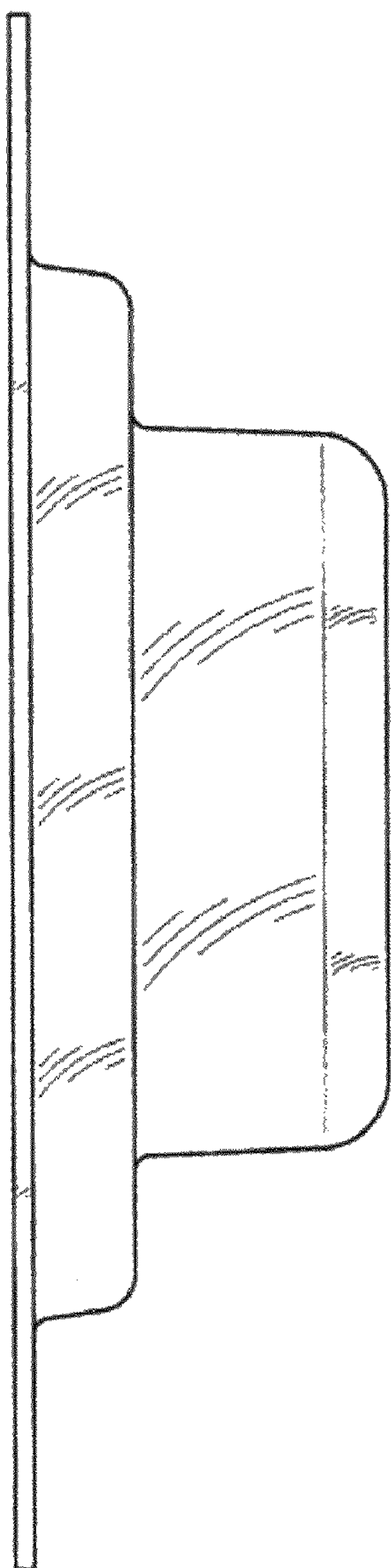


FIG. 6

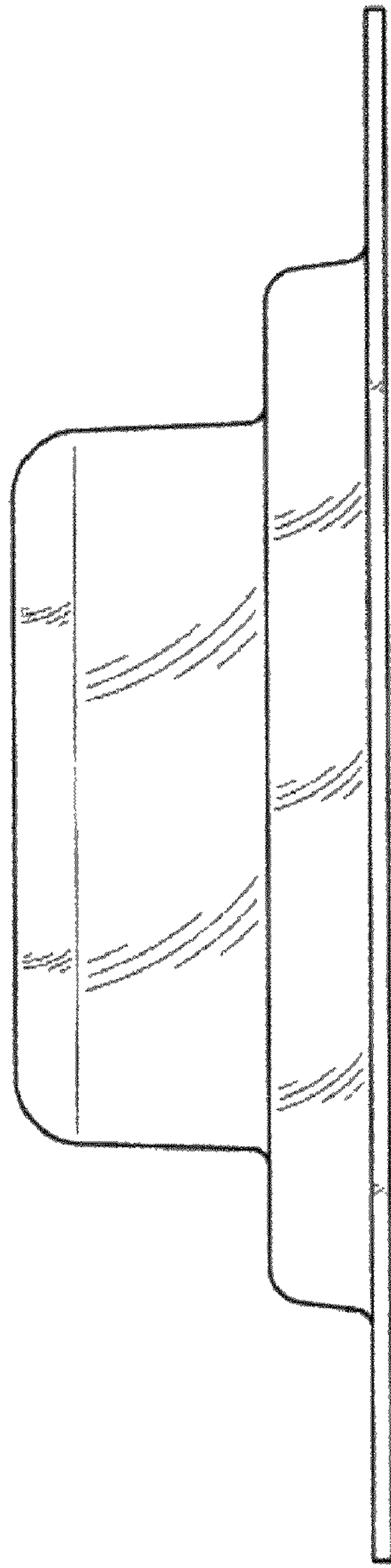


FIG. 7

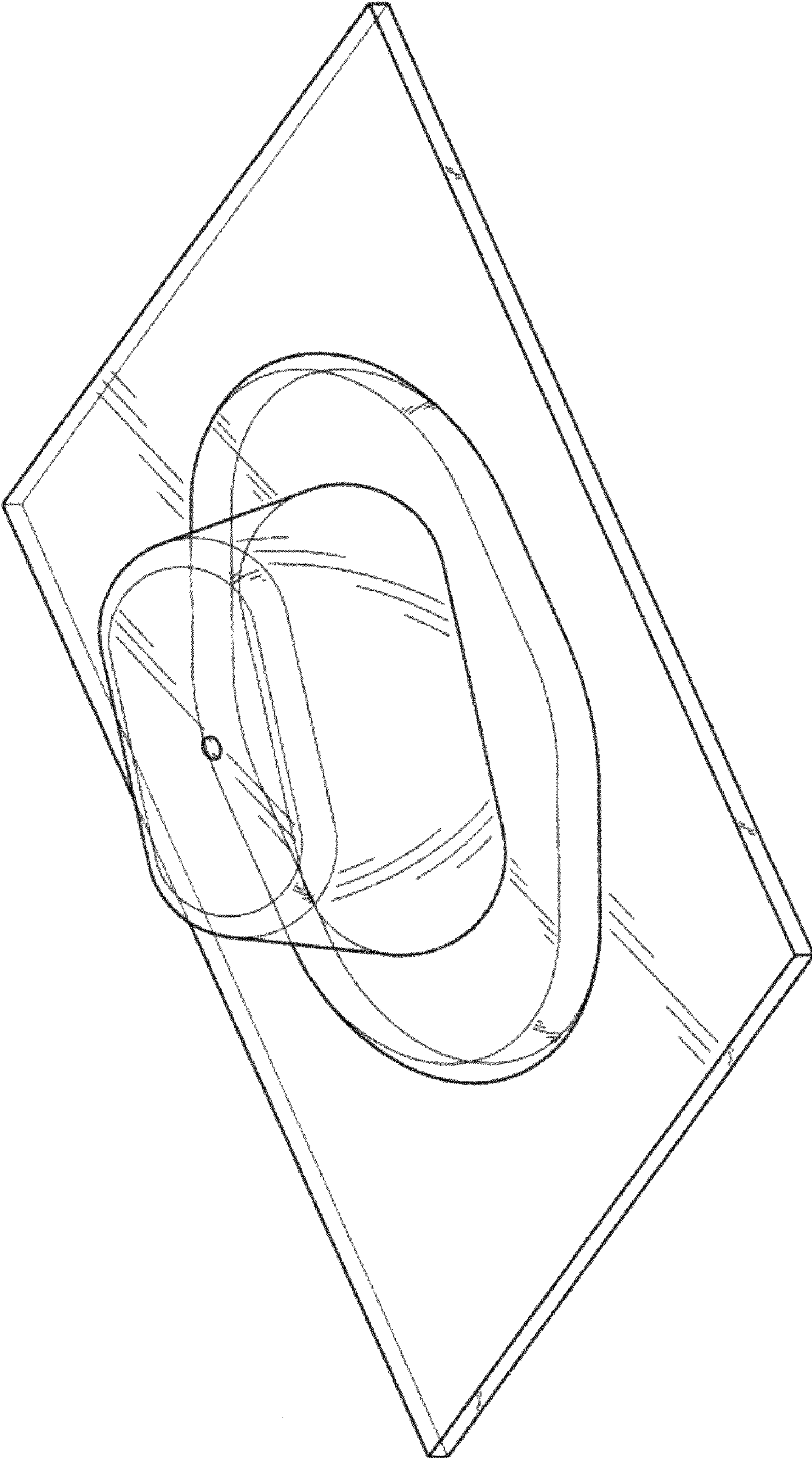


FIG. 8

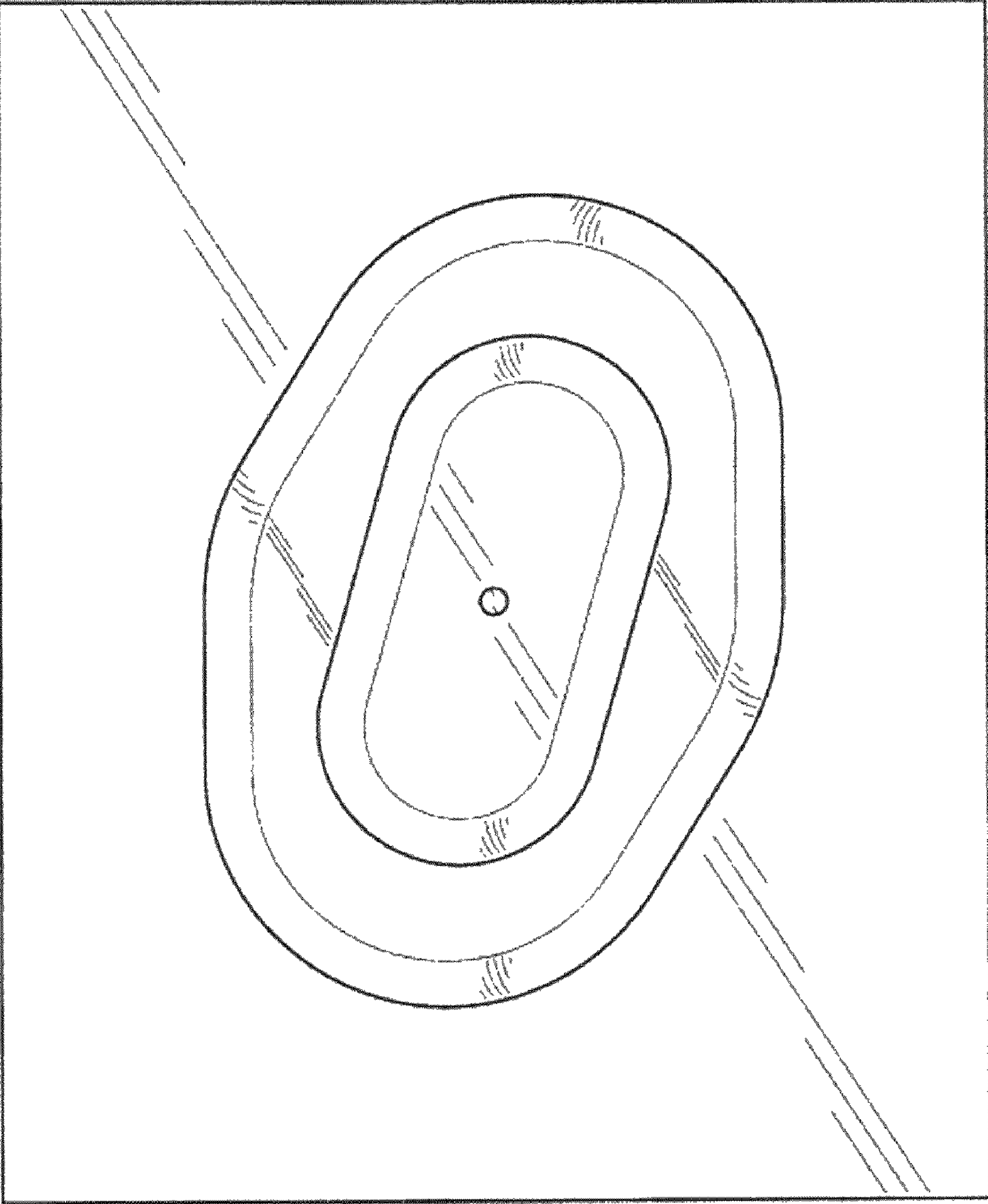


FIG. 9

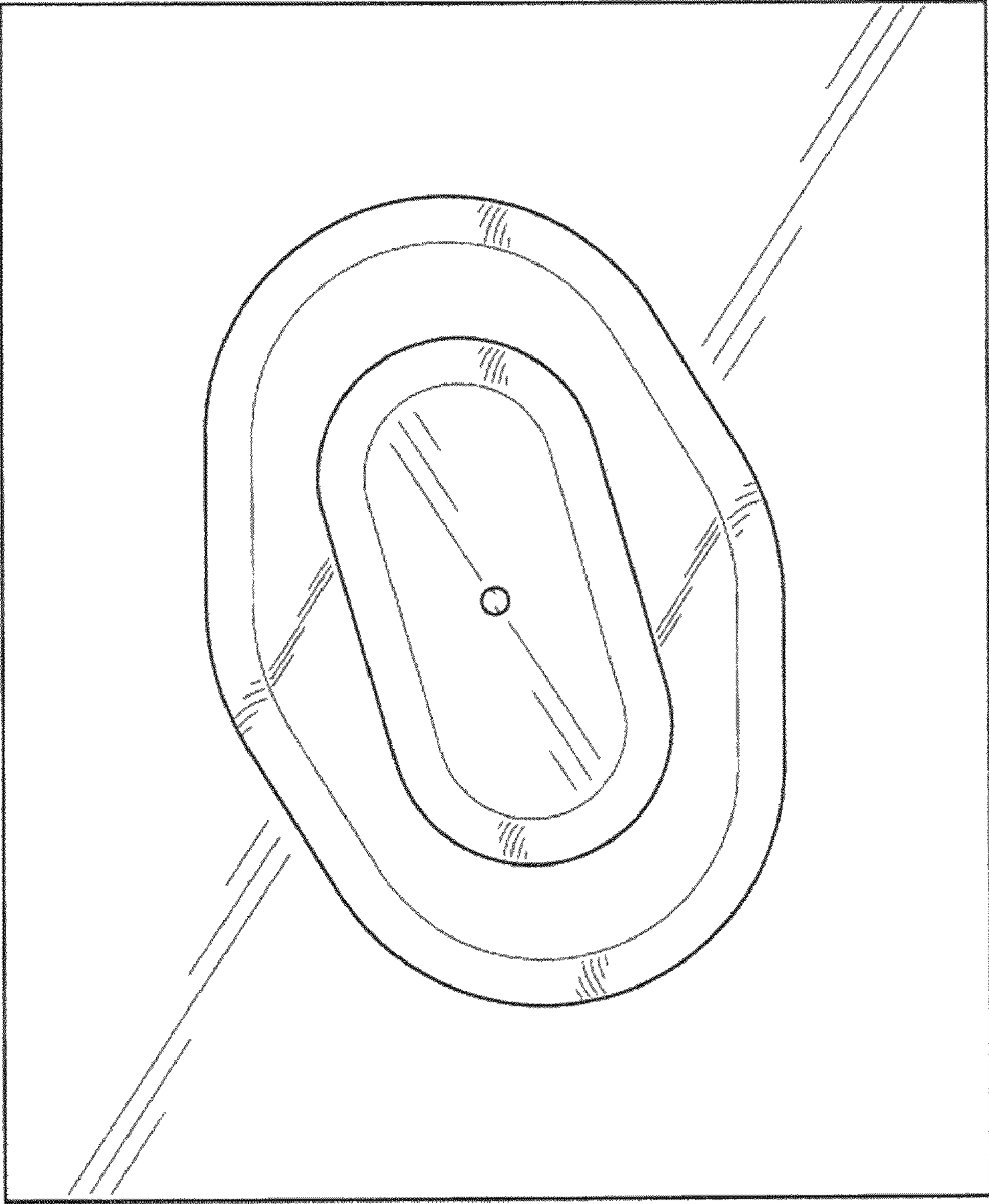


FIG. 10

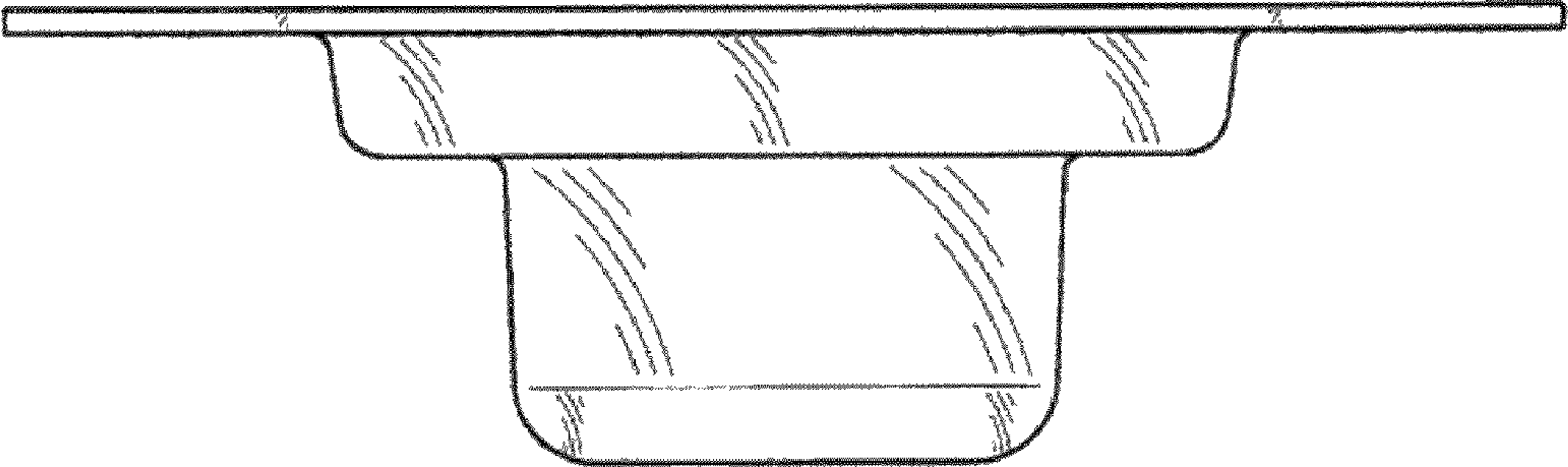


FIG. 12

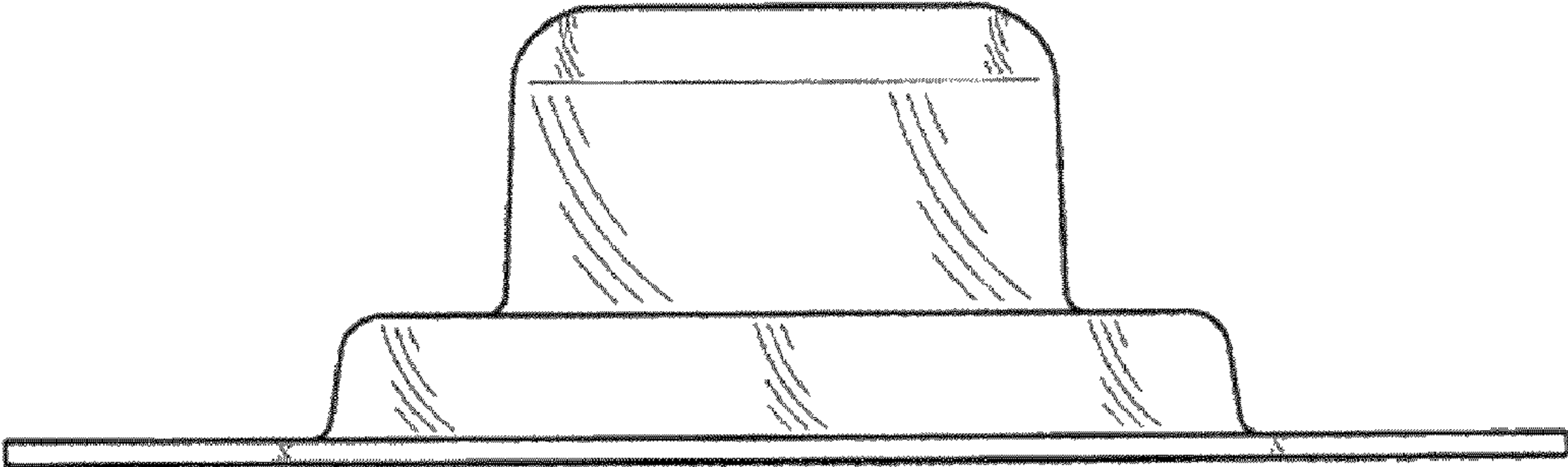


FIG. 11

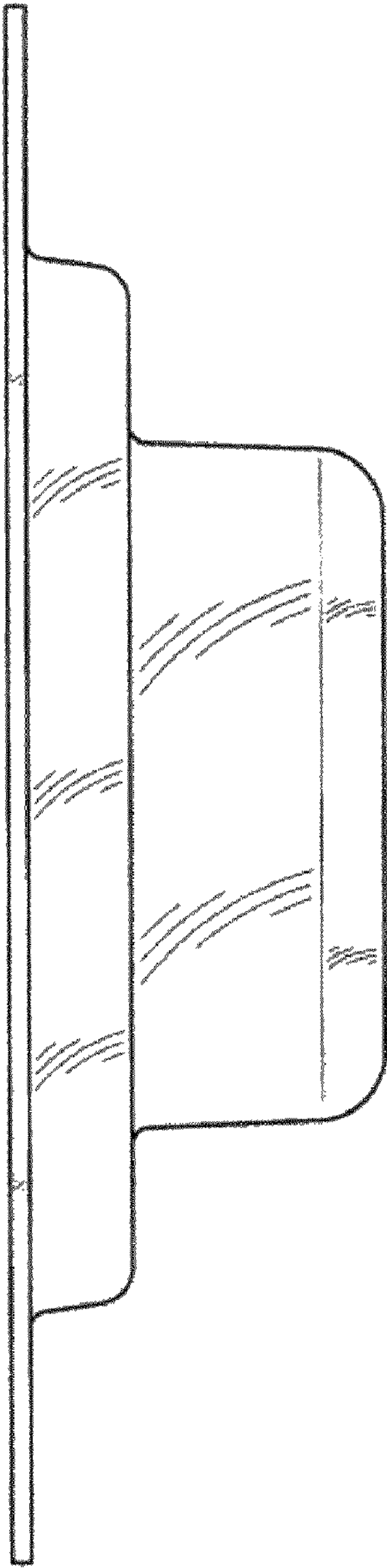


FIG. 13

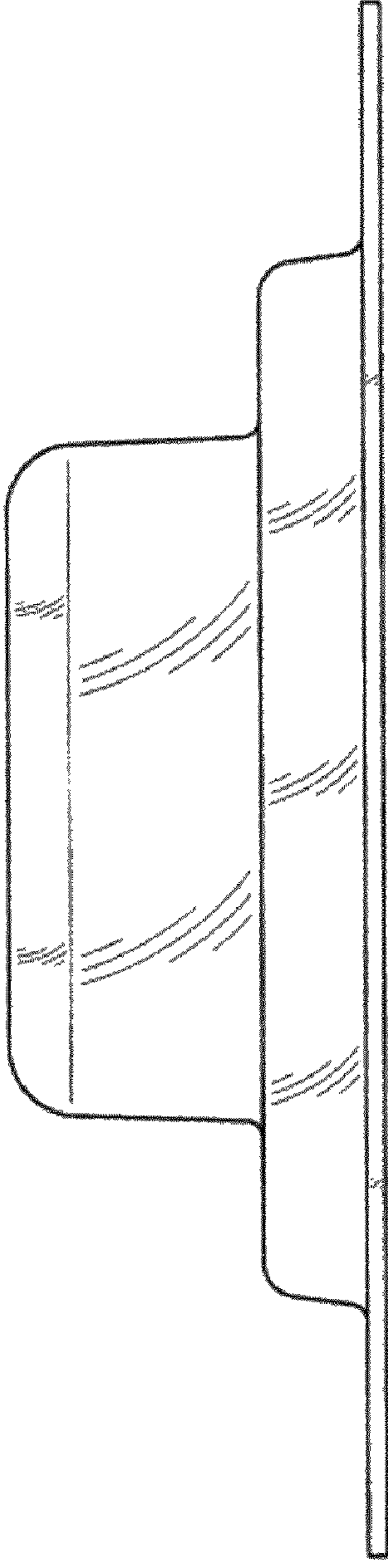


FIG. 14