



US00D659015S

(12) **United States Design Patent**
Peng

(10) **Patent No.:** **US D659,015 S**

(45) **Date of Patent:** **** May 8, 2012**

(54) **FUEL LINE ASSEMBLY PACKAGE**

(76) Inventor: **I-Sin Peng**, Taichung (TW)

(**) Term: **14 Years**

(21) Appl. No.: **29/388,008**

(22) Filed: **Mar. 23, 2011**

(51) **LOC (9) Cl.** **09-03**

(52) **U.S. Cl.** **D9/715**

(58) **Field of Classification Search** D9/430-434,
D9/414, 415, 418, 715, 721; 229/100, 103.2,
229/103.3, 110-116, 169; 220/62, 62.1,
220/890; 137/355.12, 355.19; 206/216,
206/218, 223, 527, 701, 702, 736; 40/312;
242/400.1; 248/75; 138/118; 392/472; 417/181
See application file for complete search history.

(56) **References Cited**

U.S. PATENT DOCUMENTS

| | | | | | | |
|----------|---|---|---------|---------------|-------|--------|
| D440,043 | S | * | 4/2001 | Miller et al. | | D3/282 |
| D441,286 | S | * | 5/2001 | Clarke | | D9/415 |
| D473,787 | S | * | 4/2003 | Jones et al. | | D9/415 |
| D481,628 | S | * | 11/2003 | Milan | | D9/415 |
| D483,180 | S | * | 12/2003 | Chen | | D3/282 |
| D485,752 | S | * | 1/2004 | Milan | | D9/415 |
| D501,137 | S | * | 1/2005 | Fritz et al. | | D9/415 |
| D513,976 | S | * | 1/2006 | Milan | | D9/415 |

| | | | | | | |
|----------|---|---|---------|------------|-------|--------|
| D576,030 | S | * | 9/2008 | Lee et al. | | D9/415 |
| D577,577 | S | * | 9/2008 | Lee et al. | | D9/415 |
| D605,516 | S | * | 12/2009 | Yang | | D9/455 |
| D617,987 | S | * | 6/2010 | Wang | | D3/294 |

* cited by examiner

Primary Examiner — Thomas Johannes

(74) *Attorney, Agent, or Firm* — Jackson IPG PLLC;
Demian K. Jackson

(57) **CLAIM**

The ornamental design for a fuel line assembly package, as shown and described.

DESCRIPTION

FIG. 1 is a rear elevation view of a fuel line assembly package showing my new design without the claimed portion of tubing for clarity of detail;

FIG. 2 is a front elevation view thereof;

FIG. 3 is a left side view thereof;

FIG. 4 is a right side view thereof;

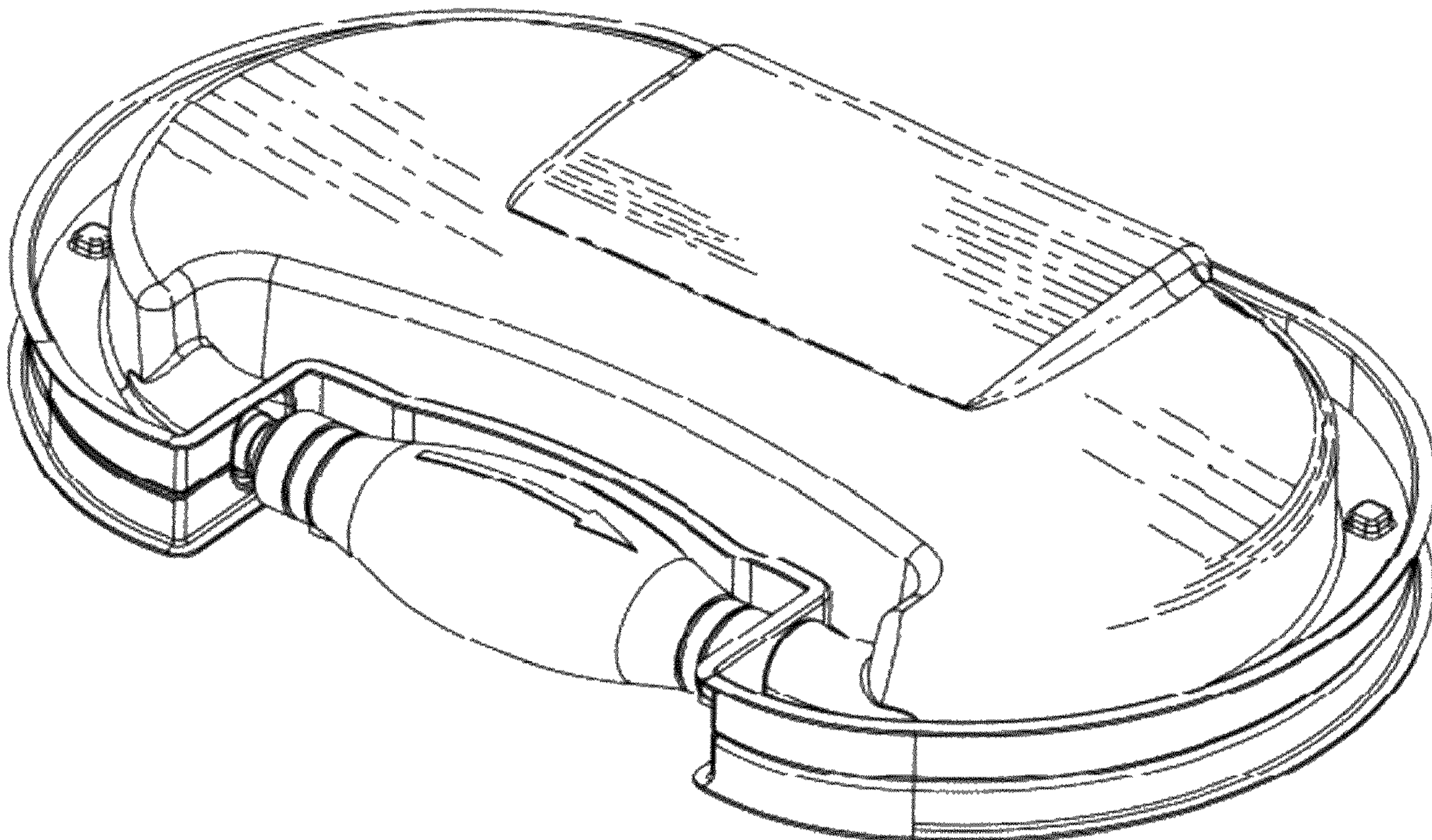
FIG. 5 is a top plan view thereof;

FIG. 6 is a bottom plan view thereof;

FIG. 7 is a perspective view thereof; and,

FIG. 8 is a perspective view thereof showing the claimed portion of tubing therewith.

1 Claim, 5 Drawing Sheets



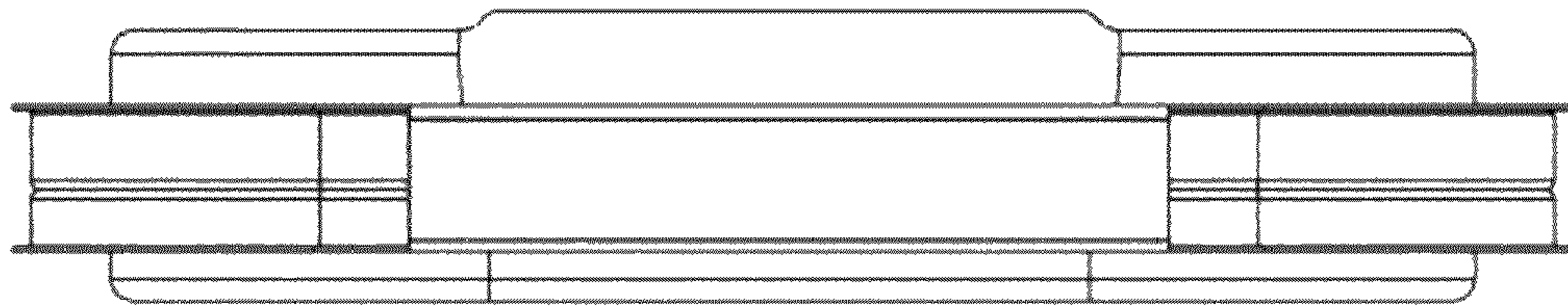


Fig. 1

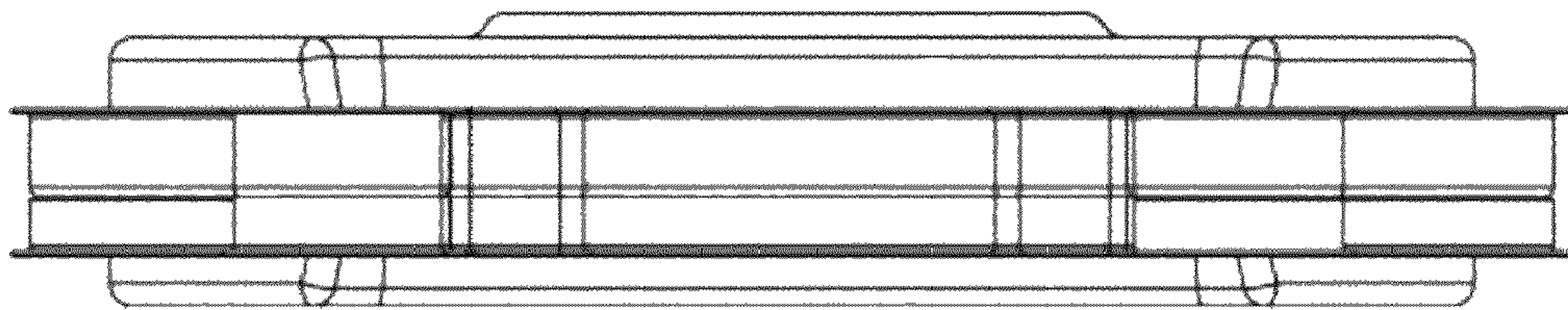


Fig. 2

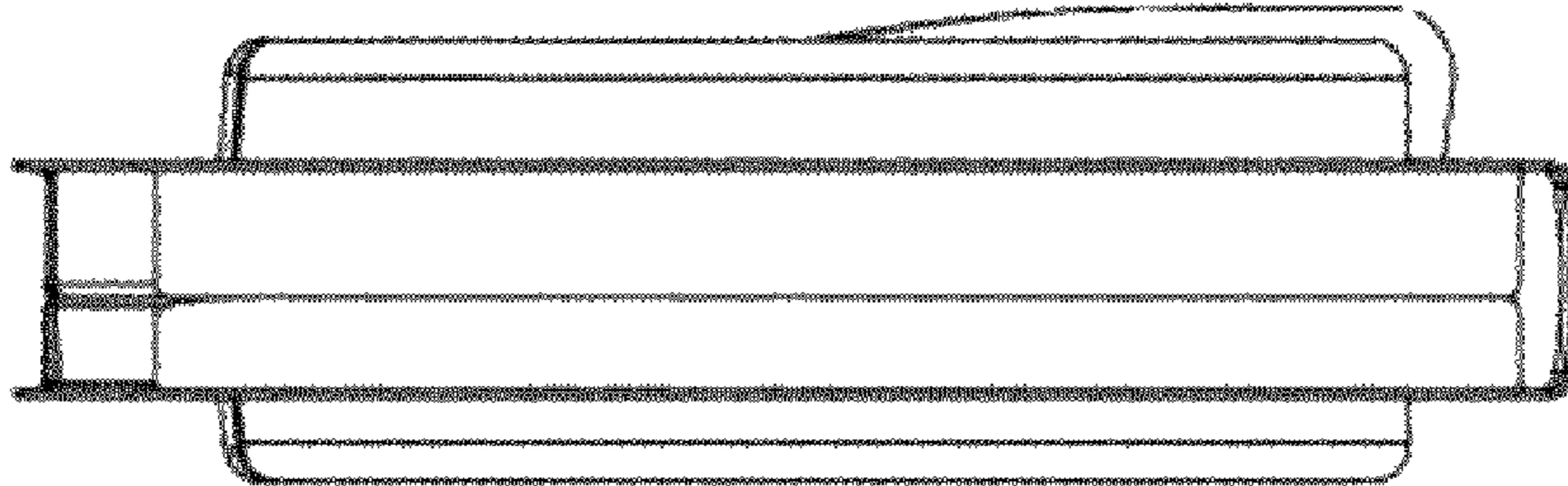


Fig. 3

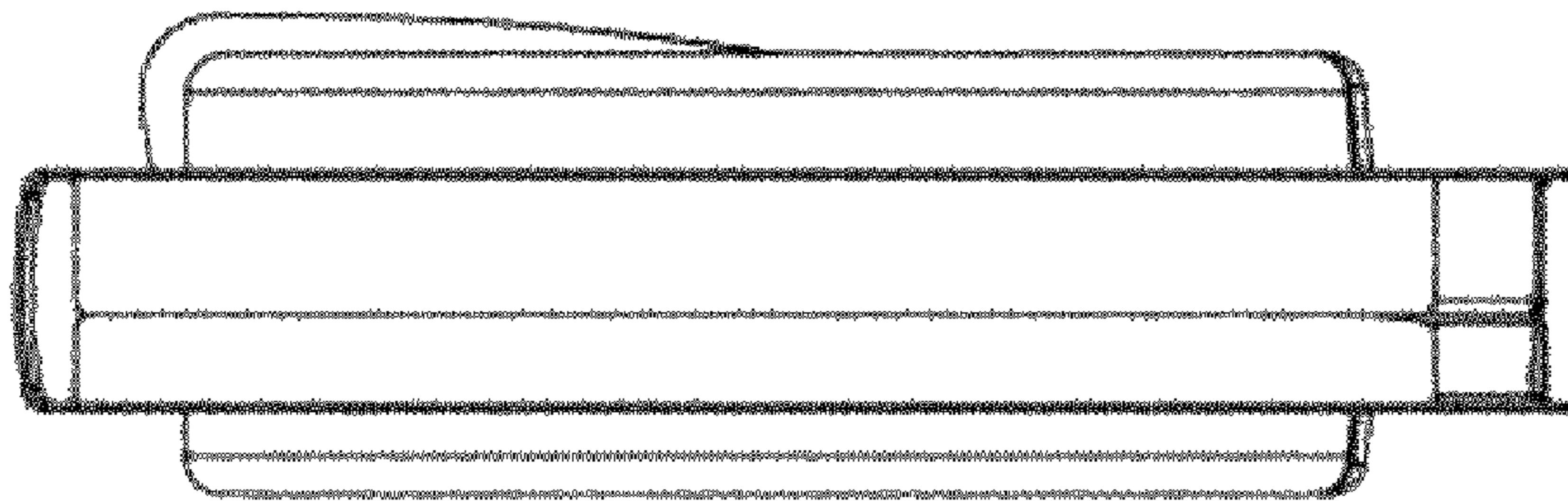


Fig. 4

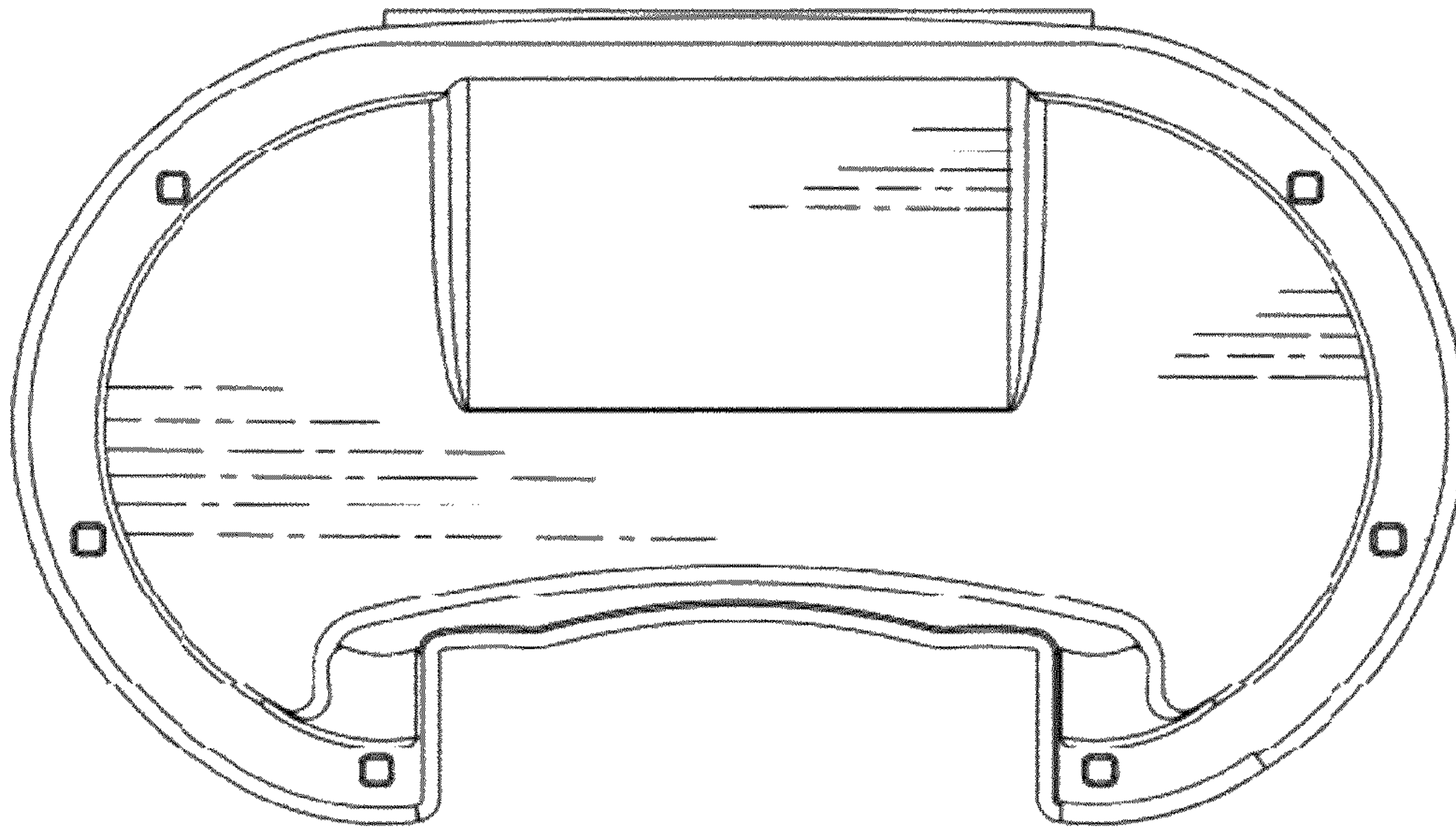


Fig. 5

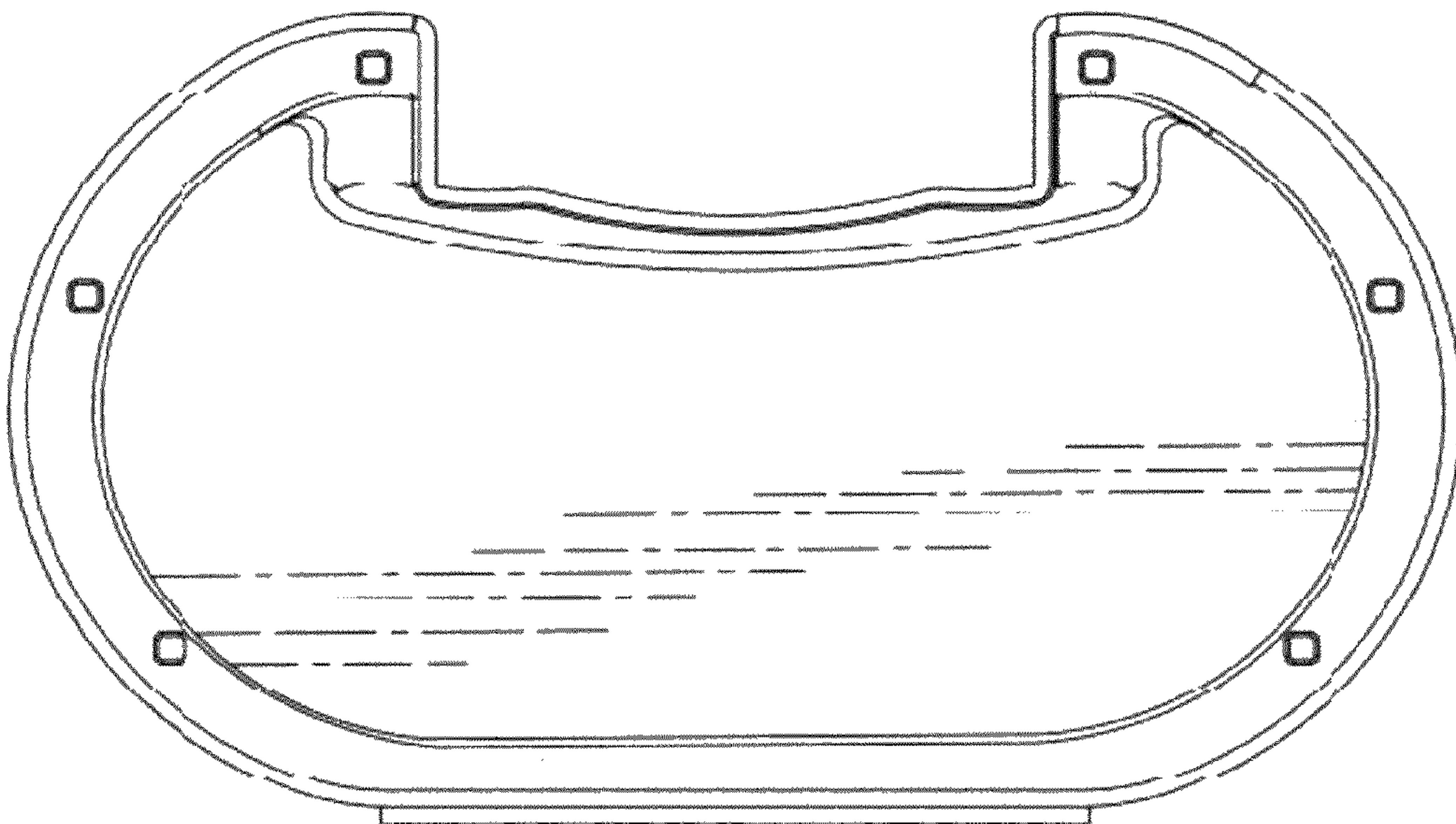


Fig. 6

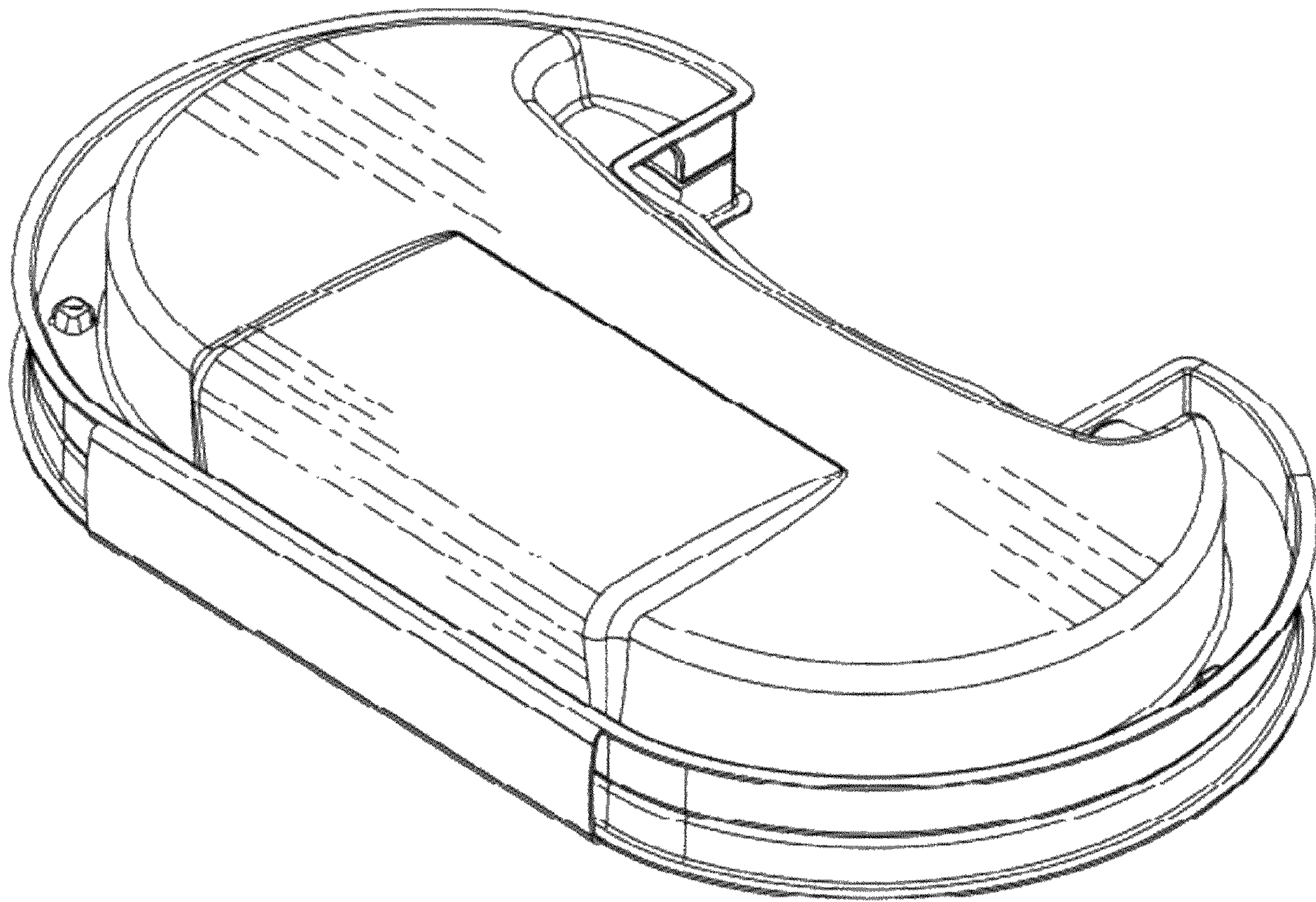


Fig. 7

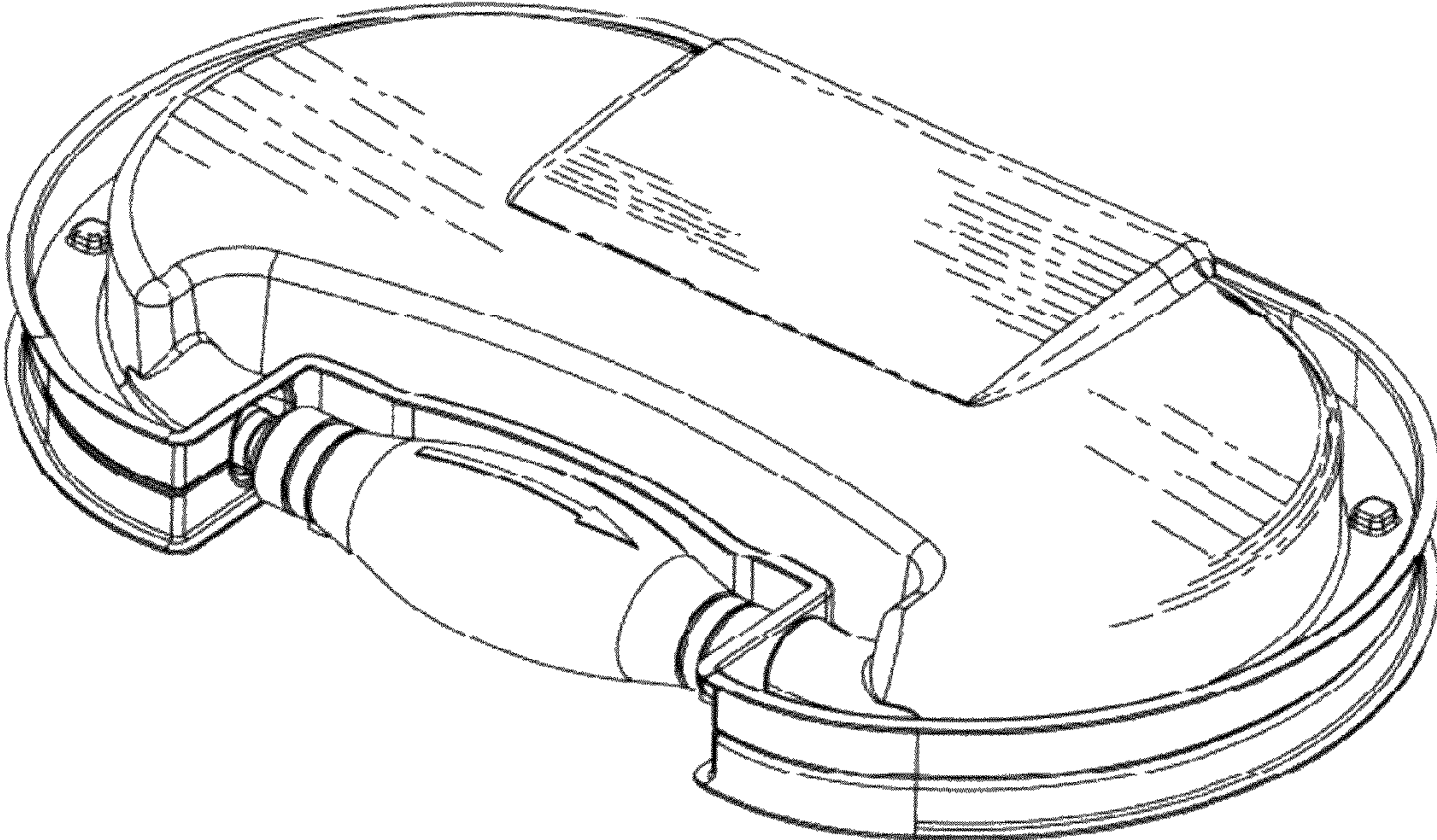


Fig. 8