

US00D659007S

(12) **United States Design Patent**
Pape

(10) **Patent No.:** **US D659,007 S**

(45) **Date of Patent:** **** May 8, 2012**

(54) **BOTTLE AND LID**

(76) Inventor: **Bryan J. Pape**, Bellevue, WA (US)

(**) Term: **14 Years**

(21) Appl. No.: **29/390,598**

(22) Filed: **Apr. 27, 2011**

Related U.S. Application Data

(62) Division of application No. 29/353,918, filed on Jan. 15, 2010, now Pat. No. Des. 639,177.

(51) **LOC (9) Cl.** **09-01**

(52) **U.S. Cl.** **D9/550; D9/443**

(58) **Field of Classification Search** D9/434-435,
D9/439, 443, 500, 502-505, 516, 549, 550,
D9/575; D7/509-511; 215/379, 381-382;
220/660, 662, 669-673, 675

See application file for complete search history.

(56) **References Cited**

U.S. PATENT DOCUMENTS

D109,331	S	*	4/1938	McManus et al.	D9/772
2,337,616	A	*	12/1943	McManus et al.	220/259.3
D224,646	S	*	8/1972	Vollquartz	D9/549
D248,927	S	*	8/1978	Cassia	D9/500
D369,977	S	*	5/1996	Sexton, Jr.	D9/764
D403,079	S	*	12/1998	Pawlak et al.	D24/224
D420,913	S	*	2/2000	Ficalora	D9/439
D435,646	S	*	12/2000	Shah et al.	D24/108
D435,647	S	*	12/2000	Shah et al.	D24/108
D435,649	S	*	12/2000	Shah et al.	D24/108
D446,726	S	*	8/2001	Hall et al.	D9/522
D475,630	S	*	6/2003	Canino	D9/500
D503,343	S	*	3/2005	Canino	D9/549

D507,490	S	*	7/2005	Mero et al.	D9/550
D539,608	S	*	4/2007	Lapsker	D7/510
D553,254	S	*	10/2007	Colin et al.	D24/224
D589,806	S	*	4/2009	Snyder	D9/523
D604,561	S	*	11/2009	Chisholm	D7/510
D605,040	S	*	12/2009	Fry et al.	D9/500
D614,918	S	*	5/2010	Chisholm	D7/510
D621,257	S	*	8/2010	Gullickson et al.	D9/443
D627,223	S	*	11/2010	Storti et al.	D9/443
D627,227	S	*	11/2010	Andis	D9/503
D627,601	S	*	11/2010	Eyal	D7/510
D627,602	S	*	11/2010	Eyal	D7/510
D632,571	S	*	2/2011	Blythe	D9/443
D638,708	S	*	5/2011	Walsh	D9/500
D639,164	S	*	6/2011	Walsh	D9/500
D639,177	S	*	6/2011	Pape	D9/550

* cited by examiner

Primary Examiner — Ian Simmons

Assistant Examiner — Dana L Sipos

(74) *Attorney, Agent, or Firm* — QuickPatents, Inc.; Kevin Prince

(57) **CLAIM**

I claim the ornamental design for a bottle and lid, as shown and described.

DESCRIPTION

FIG. 1 is a top, front, right side perspective view of a bottle and lid, showing my new design;

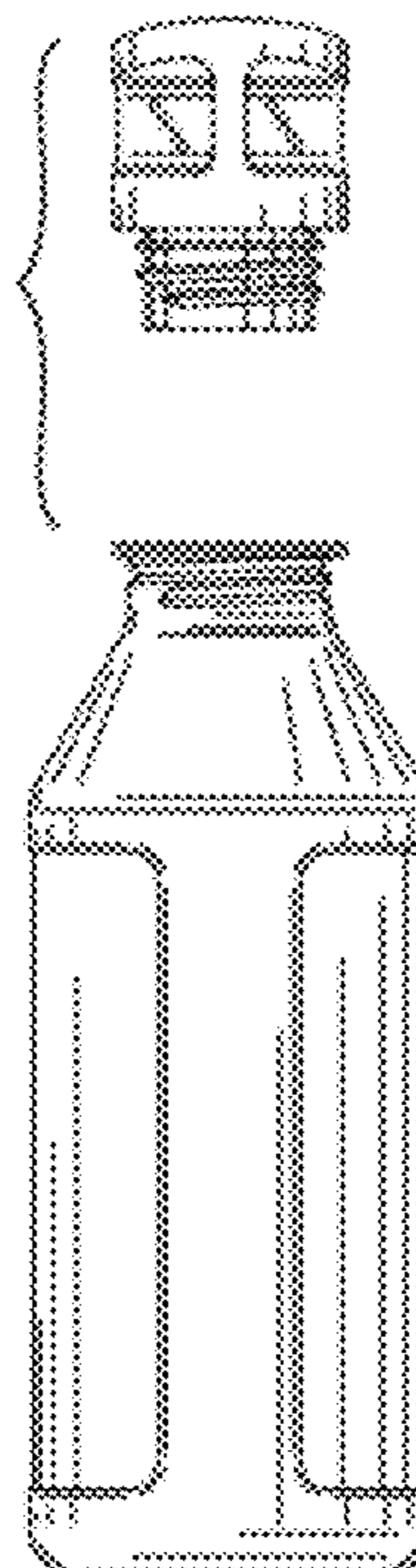
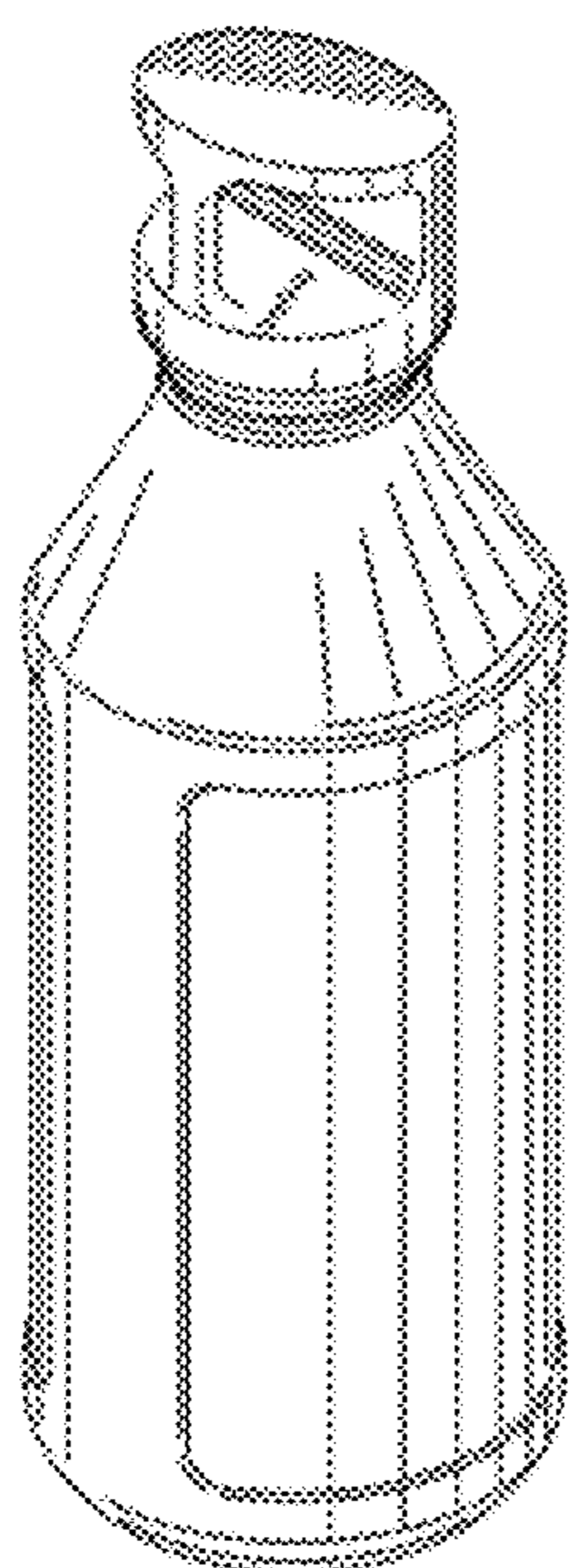
FIG. 2 is an exploded top, front, right side perspective view thereof;

FIG. 3 is an exploded front elevational view thereof;

FIG. 4 is an exploded rear elevational view thereof; and,

FIG. 5 is an exploded right-side elevational view thereof, the left-side elevational view being a mirror image thereof.

1 Claim, 2 Drawing Sheets



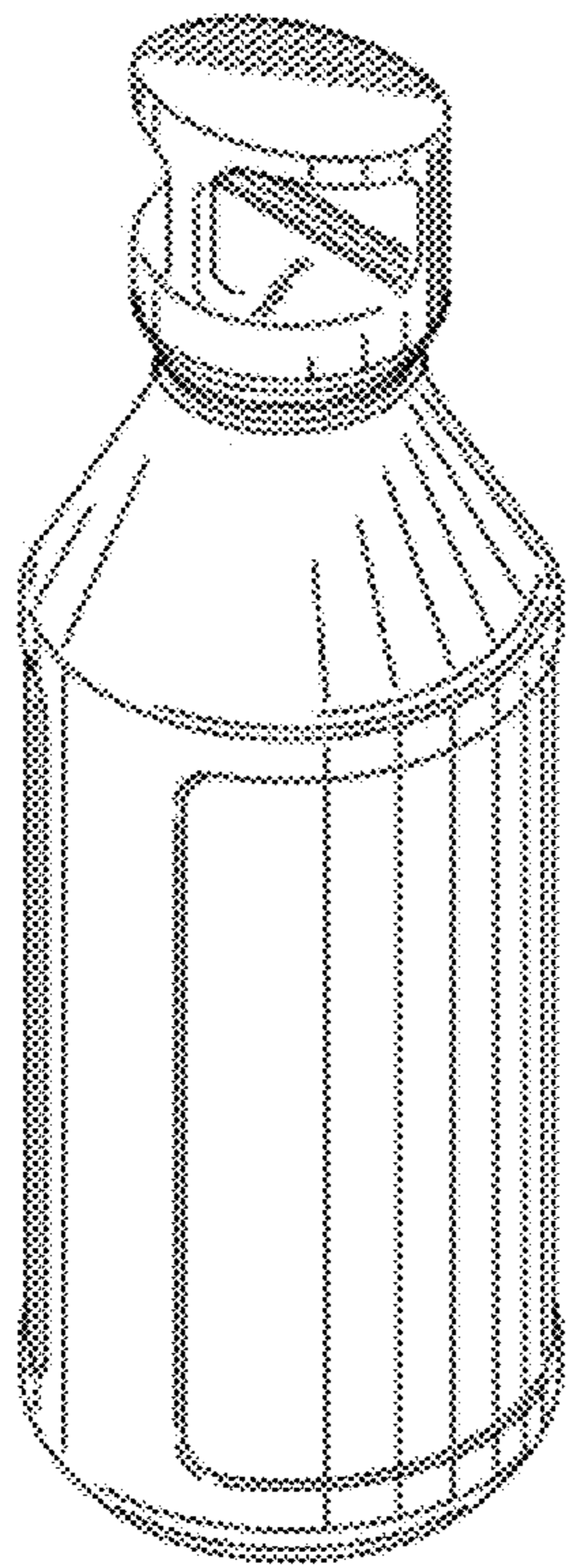


FIG. 1

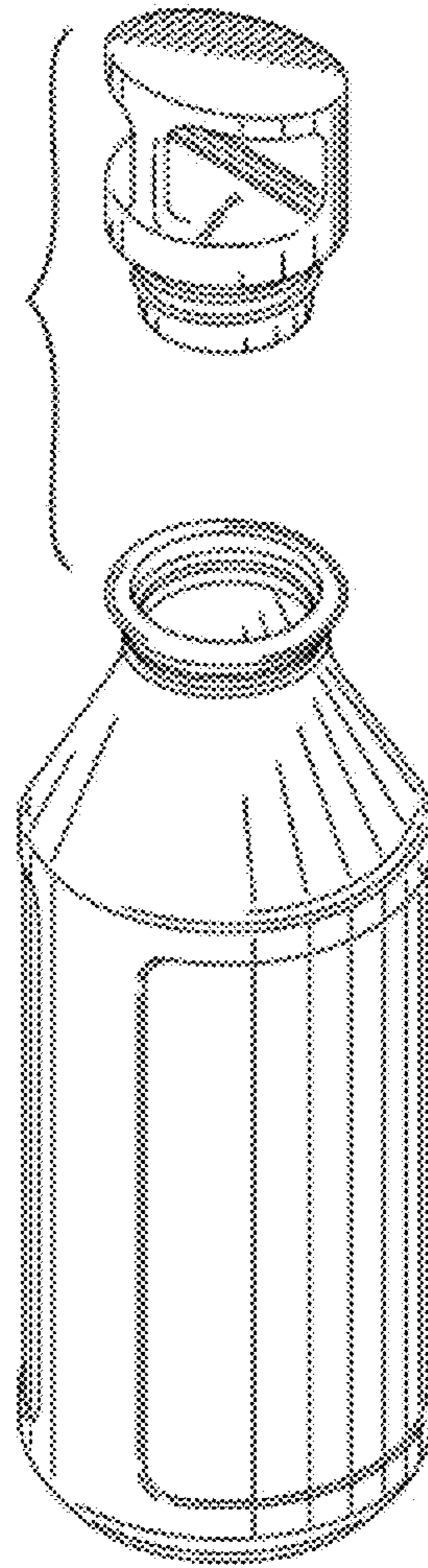


FIG. 2

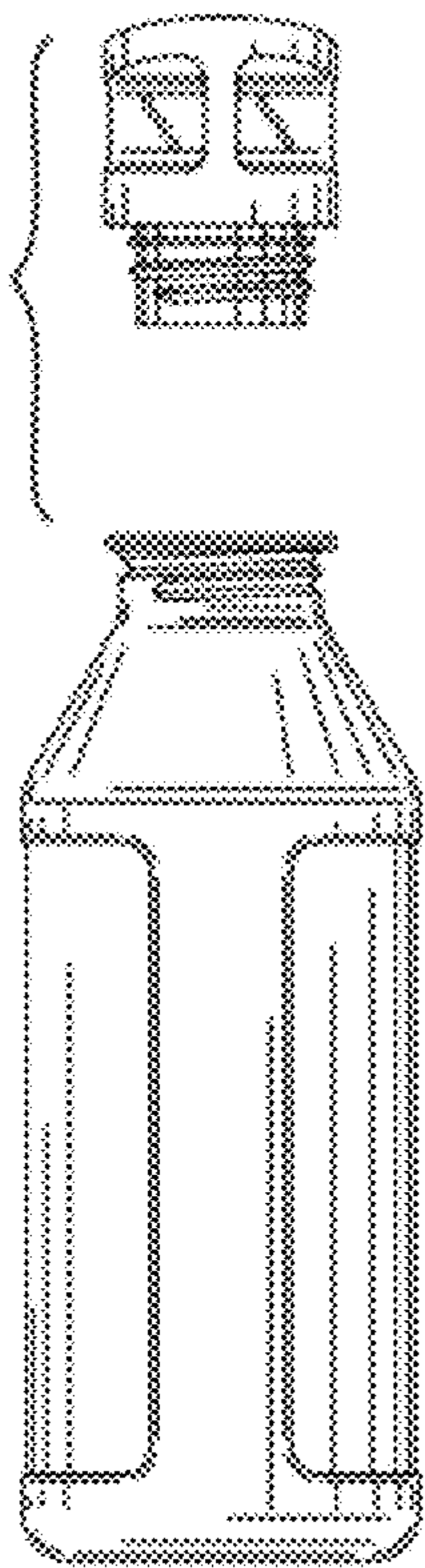


FIG. 3

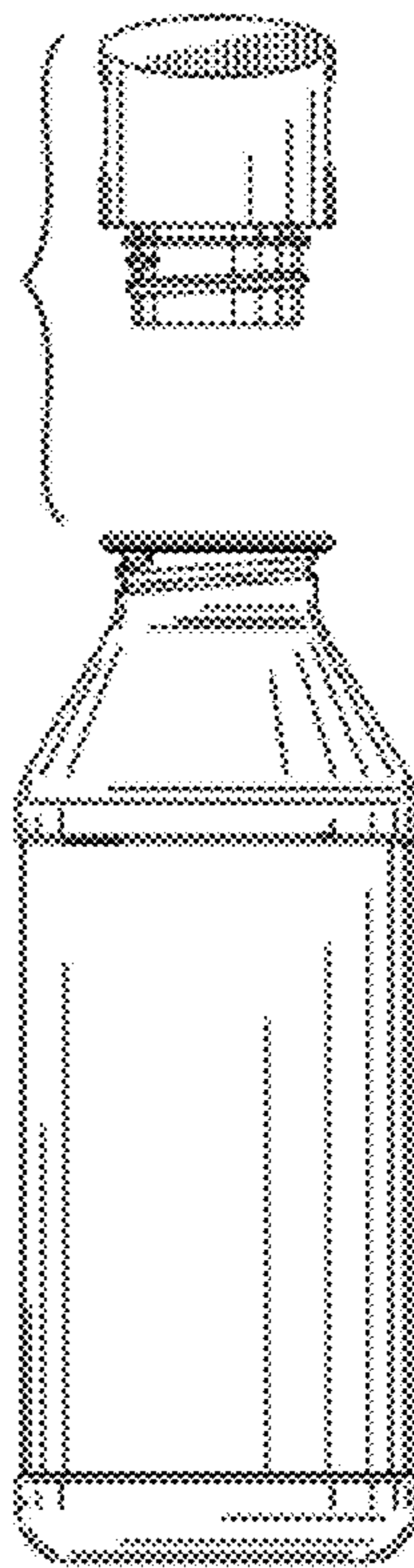


FIG. 4

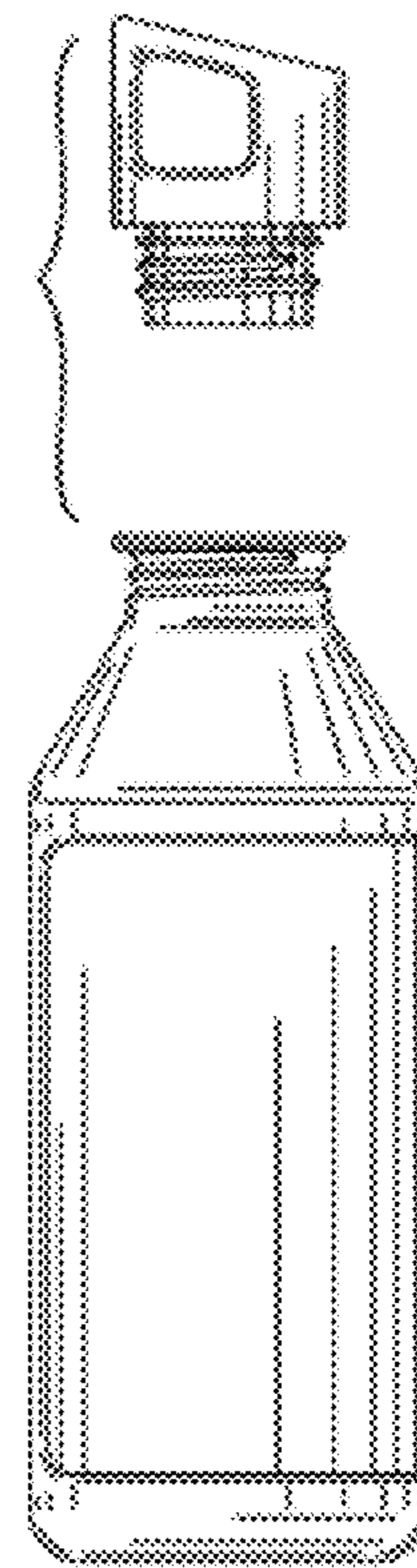


FIG. 5