



US00D659005S

(12) **United States Design Patent**
McCoy

(10) **Patent No.:** **US D659,005 S**

(45) **Date of Patent:** **** May 8, 2012**

(54) **COSMETIC JAR WITH COVER**

(75) **Inventor:** **Kimberly Jean McCoy**, Milford, CT
(US)

(73) **Assignee:** **ELC Management LLC**, New York, NY
(US)

(**) **Term:** **14 Years**

(21) **Appl. No.:** **29/385,415**

(22) **Filed:** **Feb. 14, 2011**

(51) **LOC (9) Cl.** **09-01**

(52) **U.S. Cl.** **D9/529; D9/561; D9/575; D9/449;**
D9/454; D28/82

(58) **Field of Classification Search** D9/519,
D9/521-526, 529-530, 535, 537-543, 549-575,
D9/435, 444-445, 449, 454; 215/382-384;
220/660, 669, 675; D28/4, 7, 73, 76-77,
D28/82

See application file for complete search history.

(56) **References Cited**

U.S. PATENT DOCUMENTS

D392,889	S	*	3/1998	Liu	D9/504
D398,079	S	*	9/1998	Denison	D28/77 X
5,908,037	A	*	6/1999	Pierson	132/293
D442,338	S	*	5/2001	Roman	D28/82
D446,456	S	*	8/2001	Adachi et al.	D9/529
D468,209	S	*	1/2003	Joubert	D9/561 X
D472,152	S	*	3/2003	Joubert	D9/561 X
D474,405	S	*	5/2003	Togasawa	D9/575 X
D476,572	S	*	7/2003	Merritt	D28/82 X

D547,193	S	*	7/2007	Blasko et al.	D9/561 X
D558,579	S	*	1/2008	Blasko et al.	D9/529
D581,279	S	*	11/2008	Oates	D9/435 X
D588,011	S	*	3/2009	Shimizu	D9/454 X
D588,916	S	*	3/2009	DeMarco	D9/504
D595,136	S	*	6/2009	Canamasas Puigbo	D9/549 X
D602,786	S	*	10/2009	Moriya	D9/561
D611,354	S	*	3/2010	Usui et al.	D9/561 X
7,819,125	B2	*	10/2010	Maelstaf	132/293
D634,202	S	*	3/2011	Zamberlan et al.	D9/504
D634,203	S	*	3/2011	Mongeon et al.	D9/504
D645,750	S	*	9/2011	Lee	D9/454 X
D649,056	S	*	11/2011	Puigbo	D9/504
D651,900	S	*	1/2012	Ashiwa et al.	D9/504

* cited by examiner

Primary Examiner — Carol P Rademaker

(74) *Attorney, Agent, or Firm* — Cynthia Miller

(57) **CLAIM**

The ornamental design for a cosmetic jar with cover, substantially as shown and described.

DESCRIPTION

FIG. 1 is a top and front perspective view of my new design of a cosmetic jar with cover;

FIG. 2 is a top plan view thereof;

FIG. 3 is a front elevational view thereof;

FIG. 4 is a bottom plan view thereof;

FIG. 5 is a left side elevational view thereof;

FIG. 6 is a right side elevational view thereof;

FIG. 7 is a rear elevational view thereof; and,

FIG. 8 is a perspective view showing the cosmetic jar with cover in exploded condition.

1 Claim, 5 Drawing Sheets

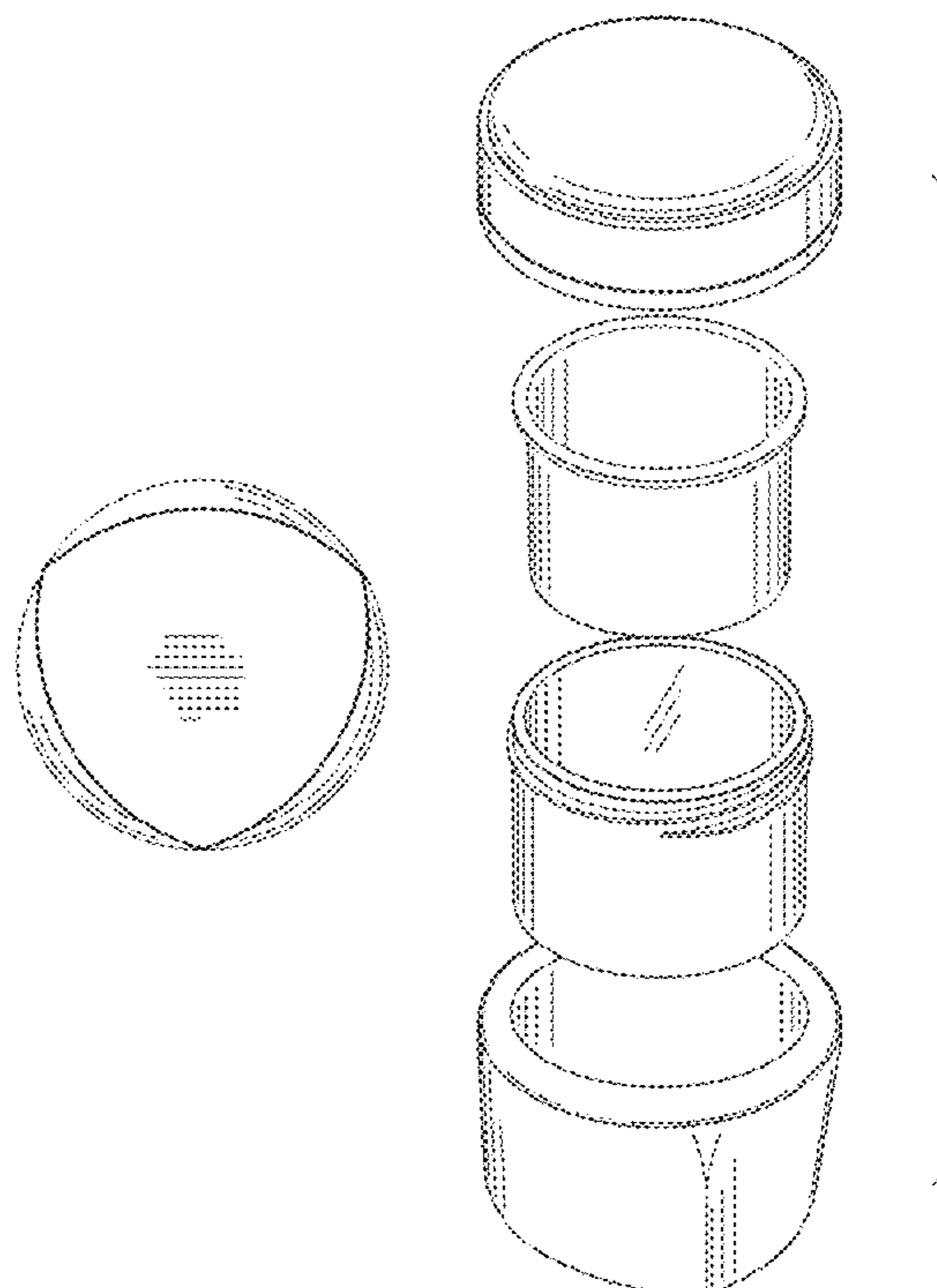


FIG. 1

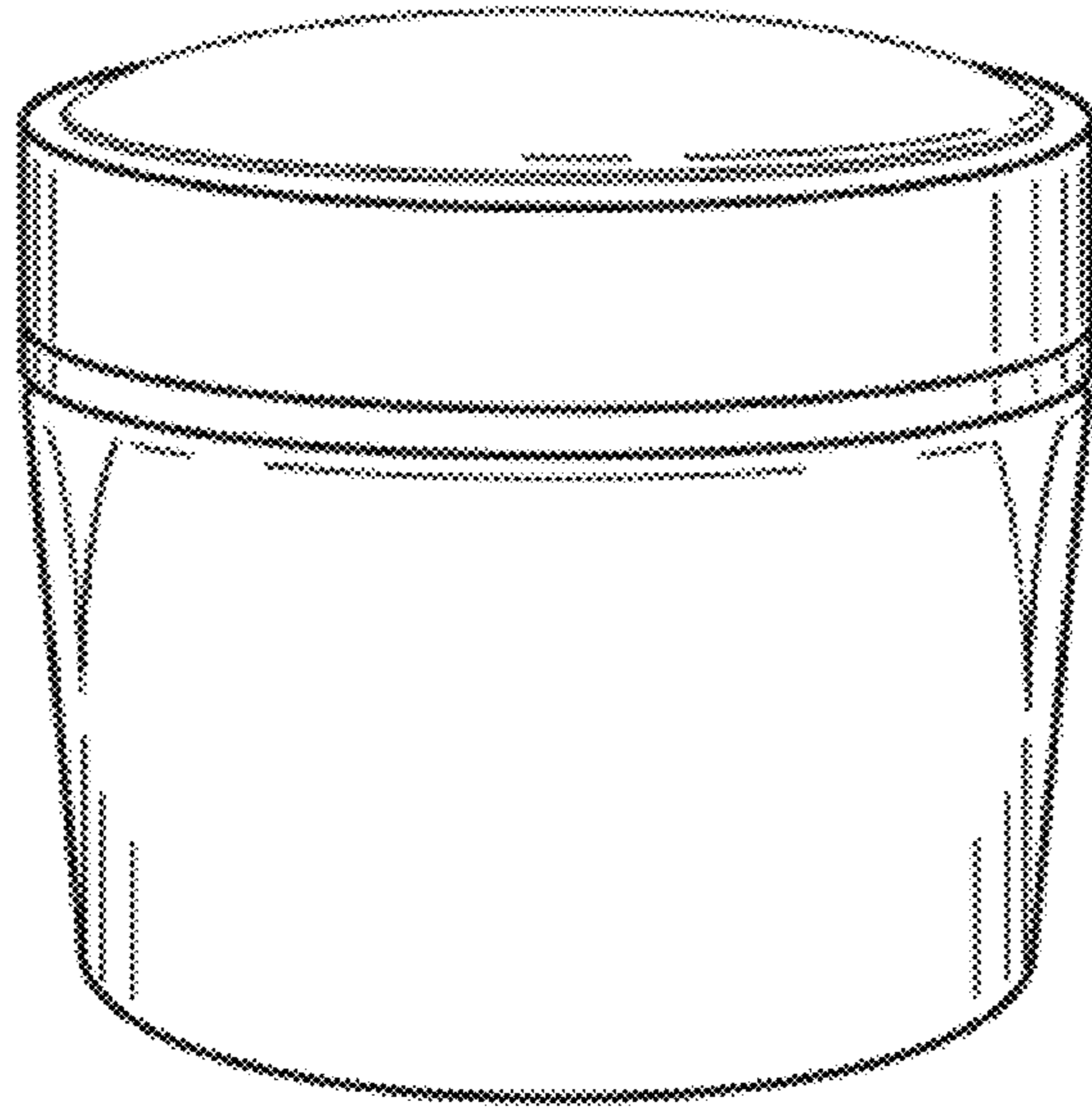


FIG. 2

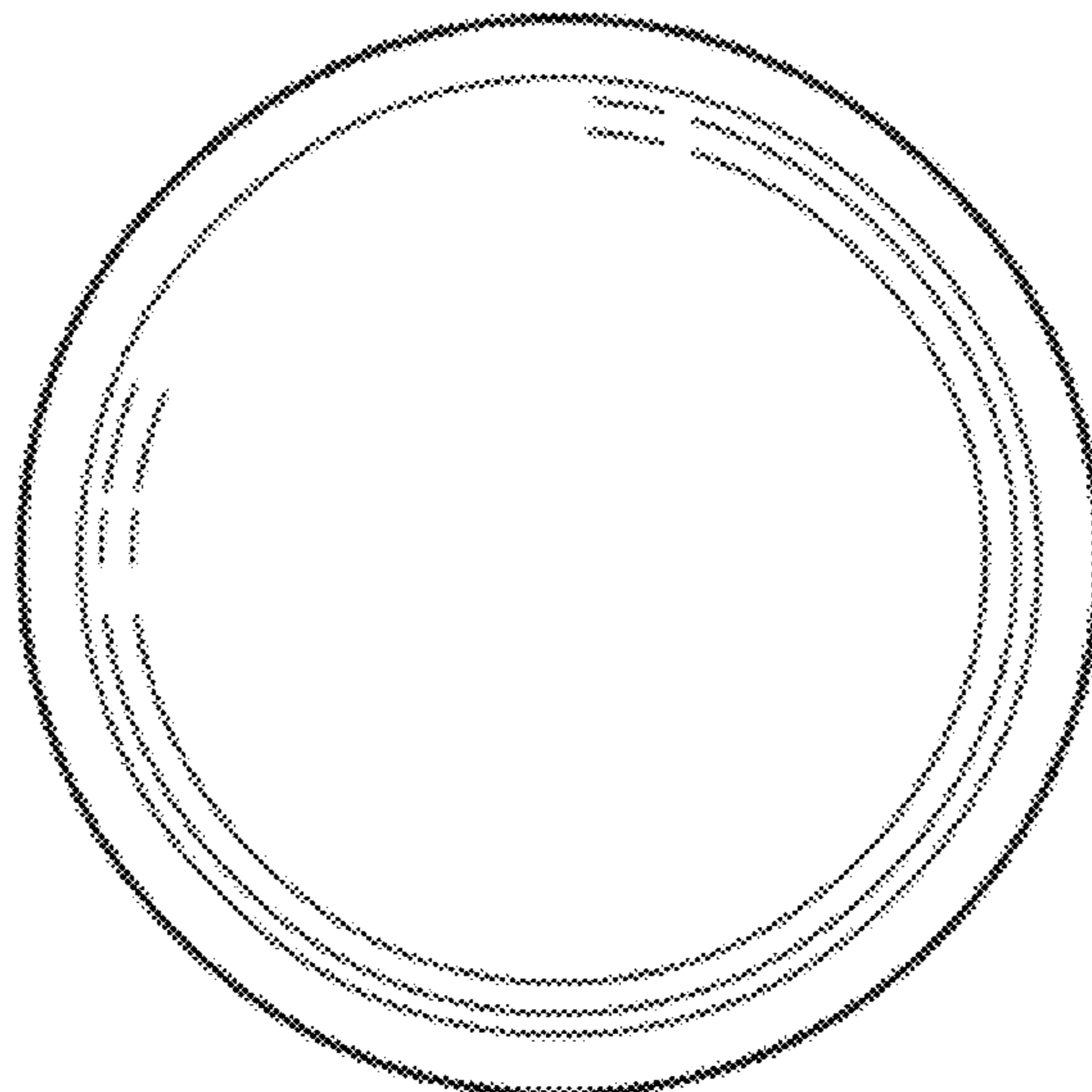


FIG. 3

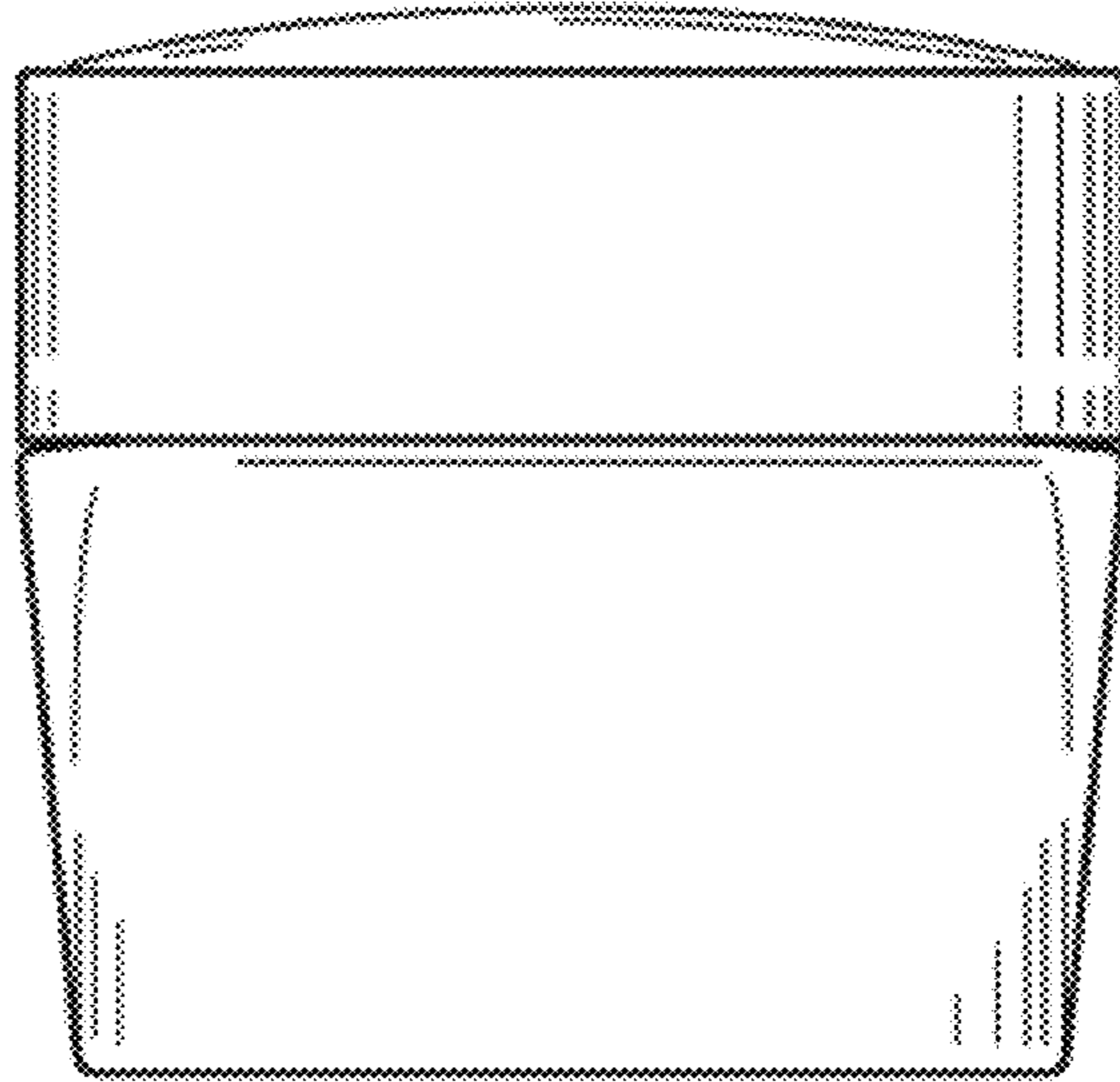


FIG. 4

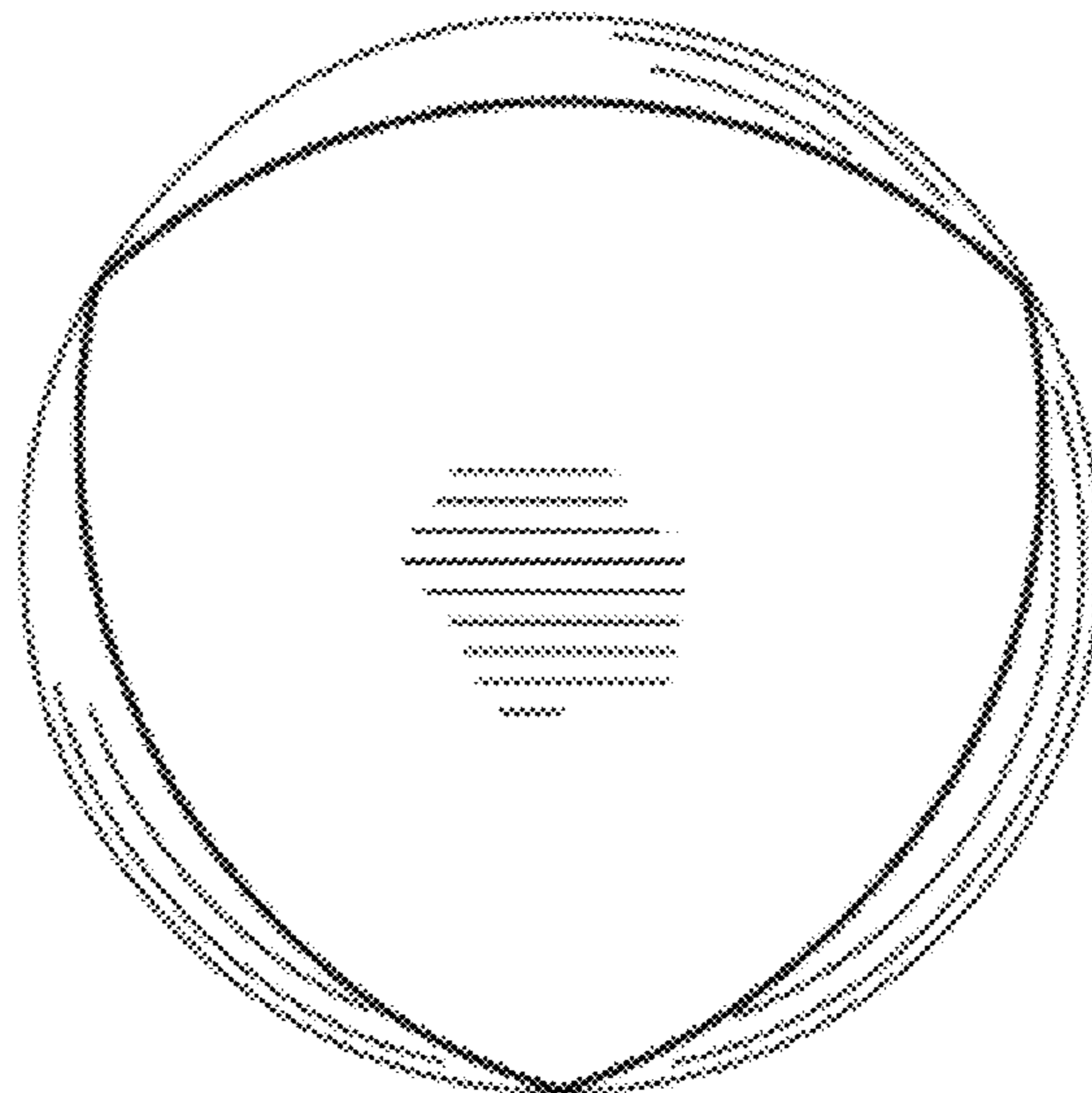


FIG. 5

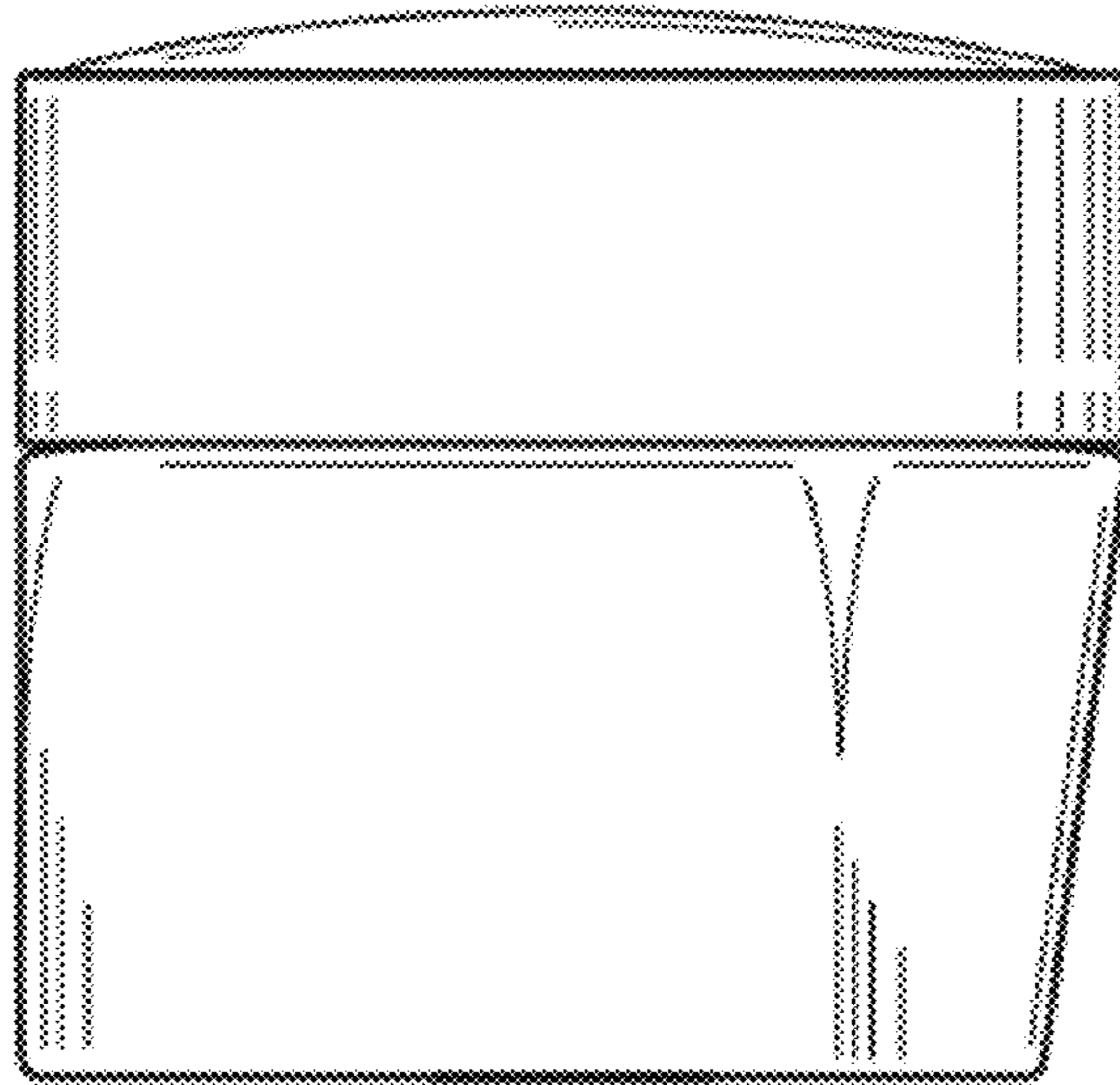


FIG. 6

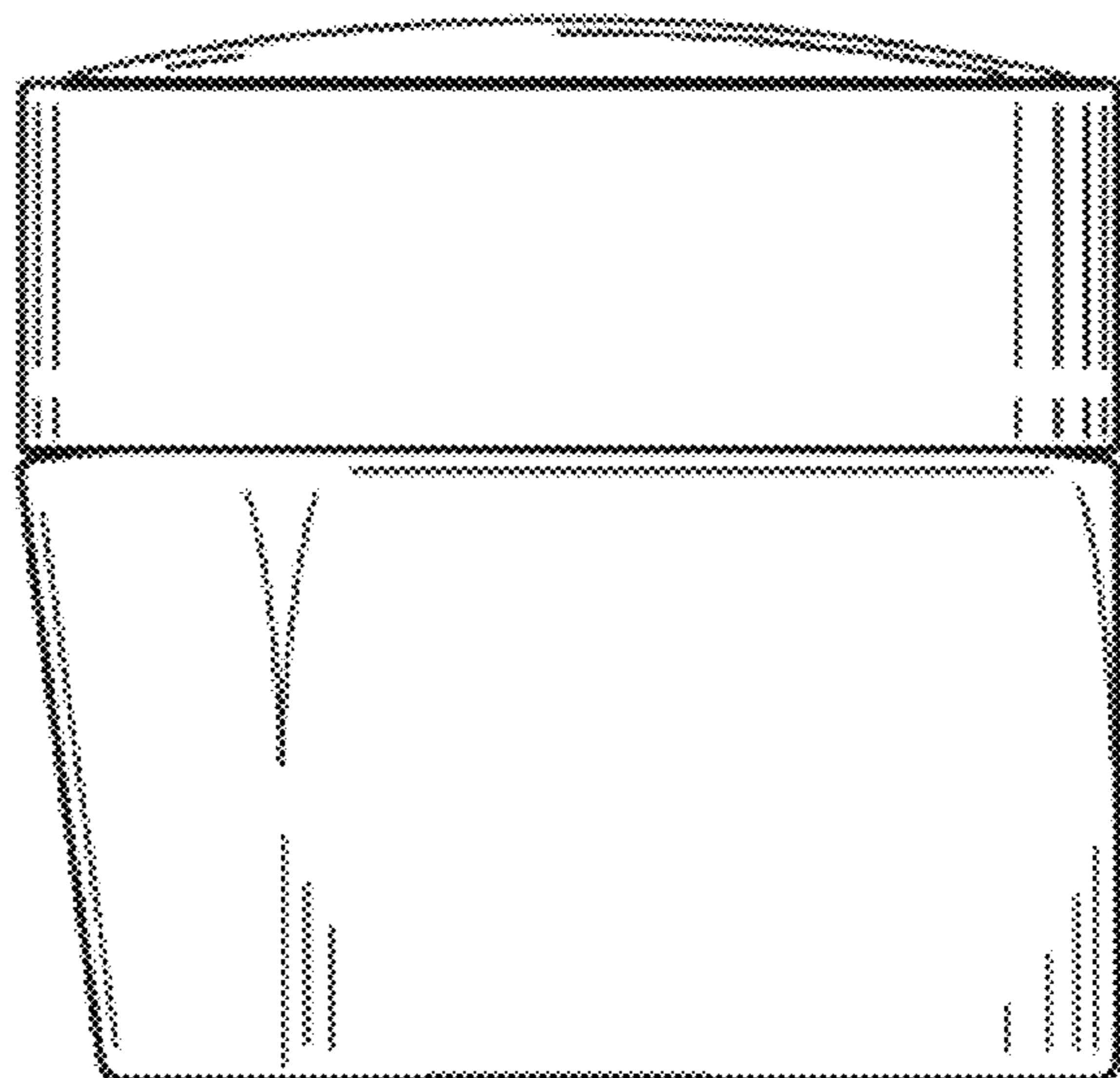


FIG. 7

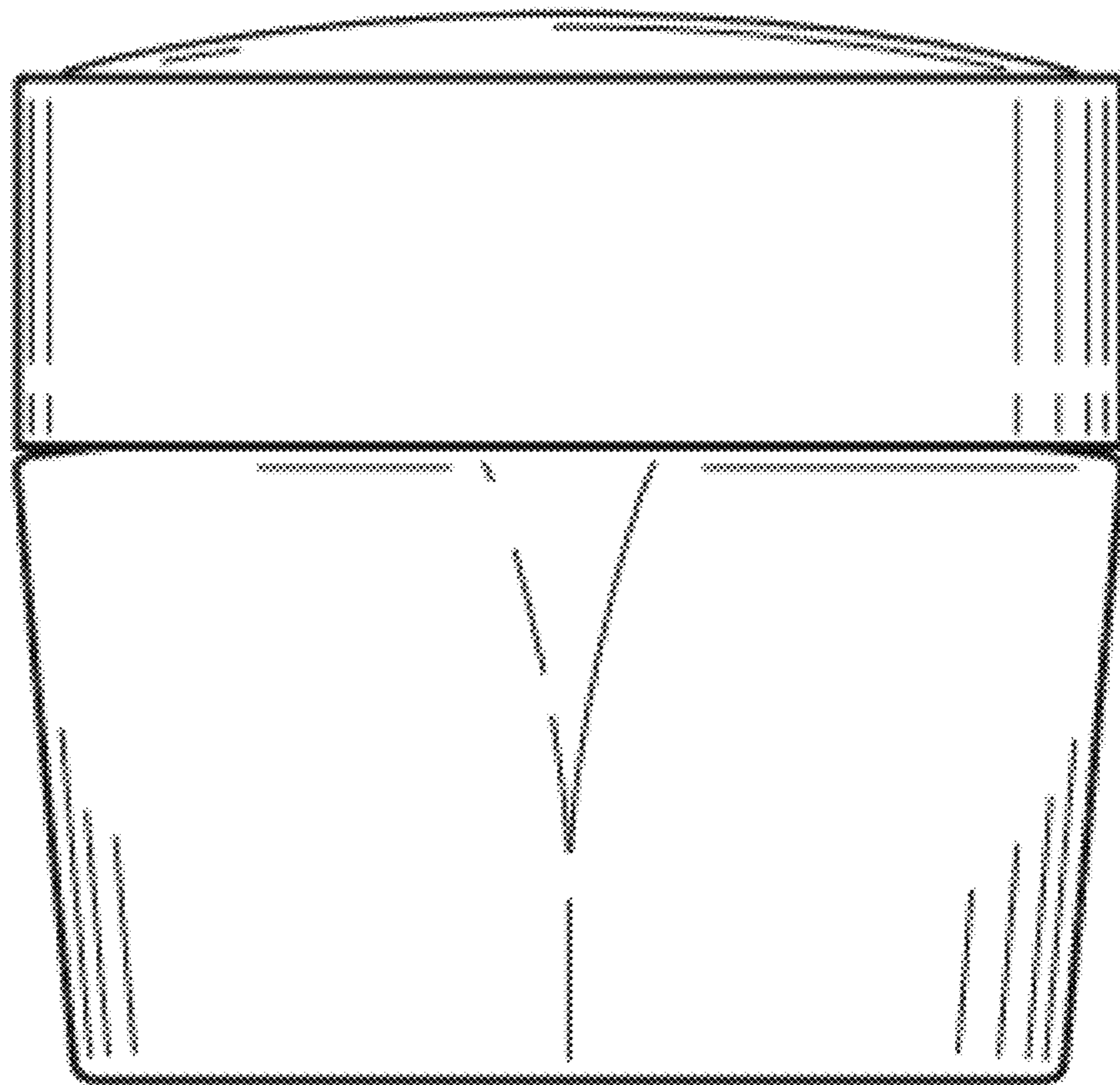


FIG. 8

