



US00D659002S

(12) **United States Design Patent**
Jebb et al.

(10) **Patent No.:** **US D659,002 S**

(45) **Date of Patent:** **** May 8, 2012**

(54) **JAR**

(75) Inventors: **Timothy Hope Jebb**, Turnbridge Wells (GB); **Benjamin James Lambert**, Turnbridge Wells (GB); **Philip Alan Marlow**, Turnbridge Wells (GB); **Benjamin Phalan Oates**, Turnbridge Wells (GB)

(73) Assignee: **Conopco, Inc.**, Englewood Cliffs, NJ (US)

(**) Term: **14 Years**

(21) Appl. No.: **29/363,719**

(22) Filed: **Jun. 14, 2010**

(30) **Foreign Application Priority Data**

Dec. 14, 2009 (GB) 4013754

(51) **LOC (9) Cl.** **09-01**

(52) **U.S. Cl.** **D9/529; D9/561; D9/449; D9/522**

(58) **Field of Classification Search** D9/516,
D9/521-522, 529-530, 537-543, 552, 561,
D9/565, 574-575, 435, 445; 215/382-384;
220/660, 669, 675

See application file for complete search history.

(56) **References Cited**

U.S. PATENT DOCUMENTS

D259,169 S 5/1981 Bogner
D273,563 S * 4/1984 Jeans et al. D9/522
D357,183 S 4/1995 Hotz
D358,770 S 5/1995 Hotz
D434,667 S * 12/2000 Gobe D9/529
D446,456 S * 8/2001 Adachi et al. D9/529
D468,209 S * 1/2003 Joubert D9/565 X
D474,405 S * 5/2003 Togasawa D9/575 X
D520,370 S * 5/2006 Priestman D28/82 X
D531,041 S * 10/2006 Sauer et al. D28/82 X
D531,905 S 11/2006 Day
D547,193 S * 7/2007 Blasko et al. D9/561 X

D558,579 S * 1/2008 Blasko et al. D9/561 X
D564,884 S * 3/2008 Rittman D9/522
D581,279 S * 11/2008 Oates D9/529
D582,283 S * 12/2008 O'Donahue D9/529
D588,913 S * 3/2009 Bakic D9/435
D595,136 S * 6/2009 Canamasas Puigbo D9/529
D603,266 S * 11/2009 Dibnah et al. D9/529
D604,164 S * 11/2009 Miller et al. D9/521
D610,460 S * 2/2010 Nagata D9/504
D611,354 S * 3/2010 Usui et al. D9/561 X
D615,867 S * 5/2010 Sagaseki et al. D9/529
D617,638 S 6/2010 Zaniwski et al.
D619,467 S 7/2010 Bogosyan
D619,896 S * 7/2010 Iwazu et al. D9/504
D634,638 S * 3/2011 L'Abbate D9/529
D638,300 S * 5/2011 L'Abbate D9/529
D641,633 S * 7/2011 Carnduff et al. D9/521
D646,170 S * 10/2011 Carnduff et al. D9/521

OTHER PUBLICATIONS

Co-pending application for: Applicant: Jebb et al.; U.S. Appl. No. 29/363,712, filed Jun. 14, 2010, entitled Bottle.

Co-pending application for: Applicant: Drake et al.; U.S. Appl. No. 29/363,708, filed Jun. 14, 2010, entitled Bottle.

Co-pending application for: Applicant: Gately et al.; U.S. Appl. No. 29/363,710, filed Jun. 14, 2010, entitled Bottle.

(Continued)

Primary Examiner — Carol P Rademaker

(74) *Attorney, Agent, or Firm* — Ronald A. Koatz

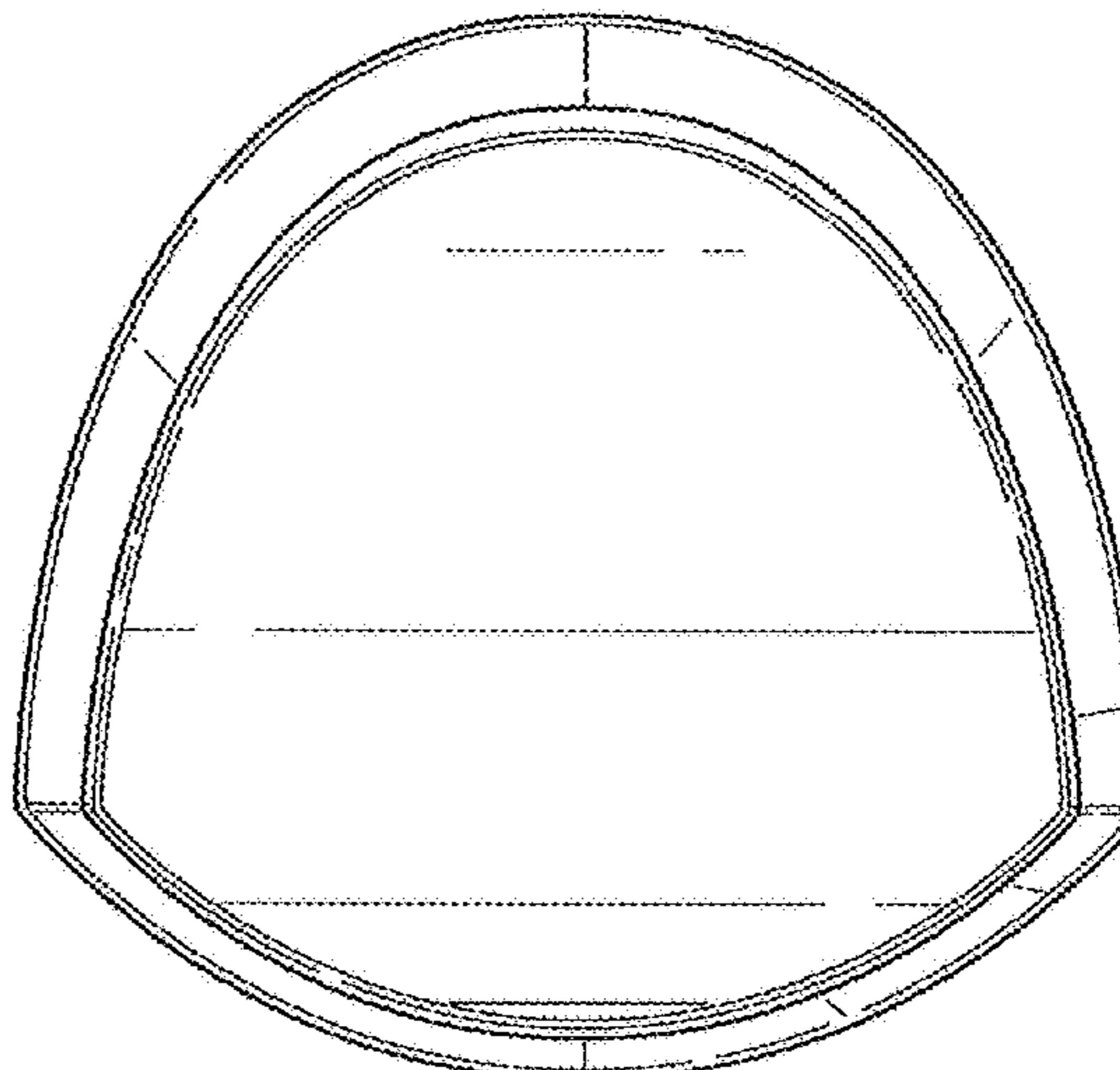
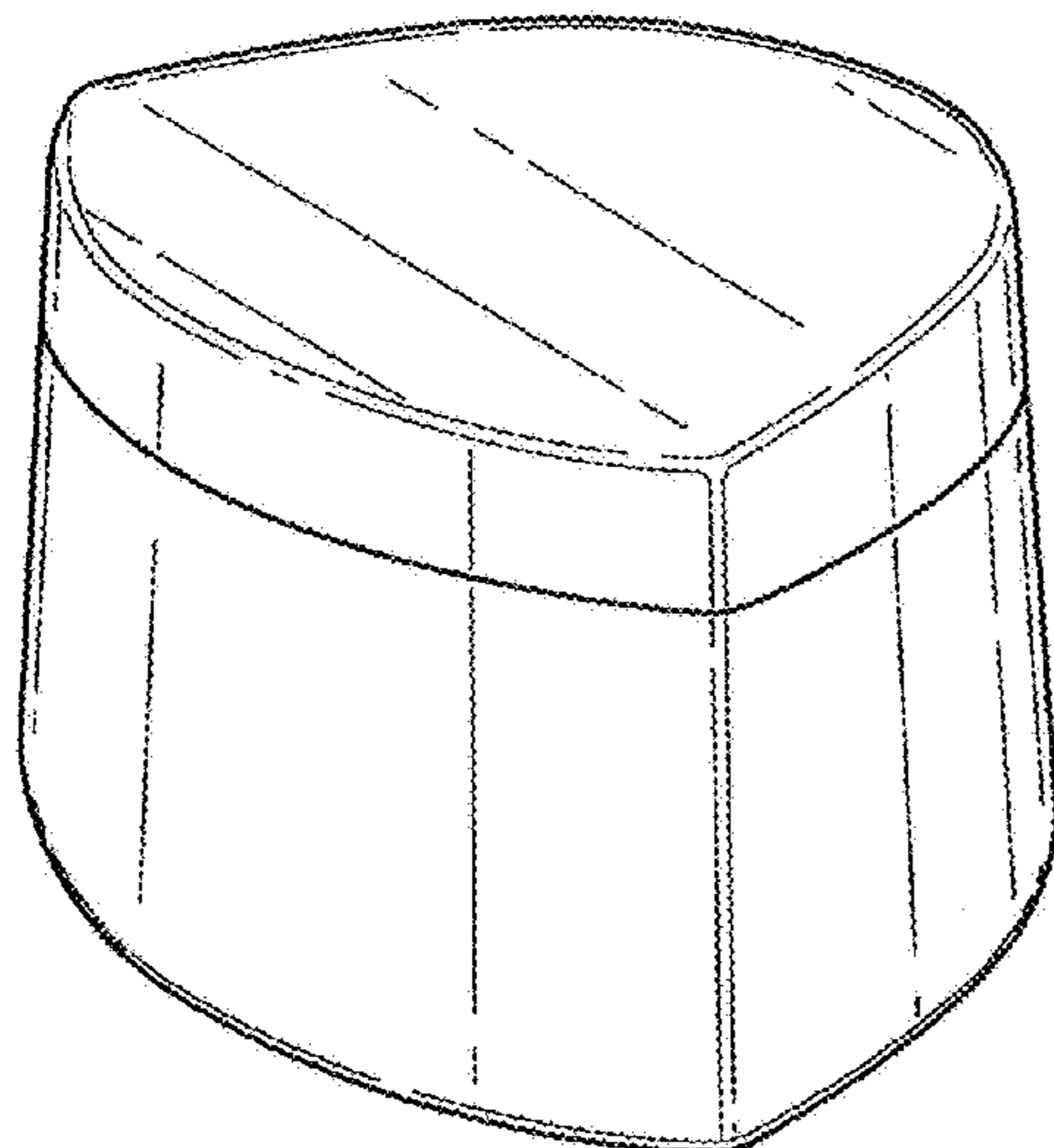
(57) **CLAIM**

The ornamental design for the jar, as shown and described.

DESCRIPTION

FIG. 1 is a top, front, right side perspective view of our jar;
FIG. 2 is a front elevational view thereof;
FIG. 3 is a rear elevational view thereof;
FIG. 4 is a right side elevational view thereof;
FIG. 5 is a left side elevational view thereof; and
FIG. 6 is a top plan view thereof; and,
FIG. 7 is a bottom plan view thereof.

1 Claim, 4 Drawing Sheets



OTHER PUBLICATIONS

Co-pending application for: Applicant: Drake et al.; U.S. Appl. No. 29/363,714, filed Jun. 14, 2010, entitled Bottle.

Co-pending application for: Applicant: Drake et al.; U.S. Appl. No. 29/363,716, filed Jun. 14, 2010, entitled Part of a Bottle.

Co-pending application for: Applicant: Jebb et al.; U.S. Appl. No. 29/363,718, filed Jun. 14, 2010, entitled Cap.

Co-pending application for: Applicant: Drake et al.; U.S. Appl. No. 29/363,720, filed Jun. 14, 2010, entitled Part of a Bottle.

* cited by examiner

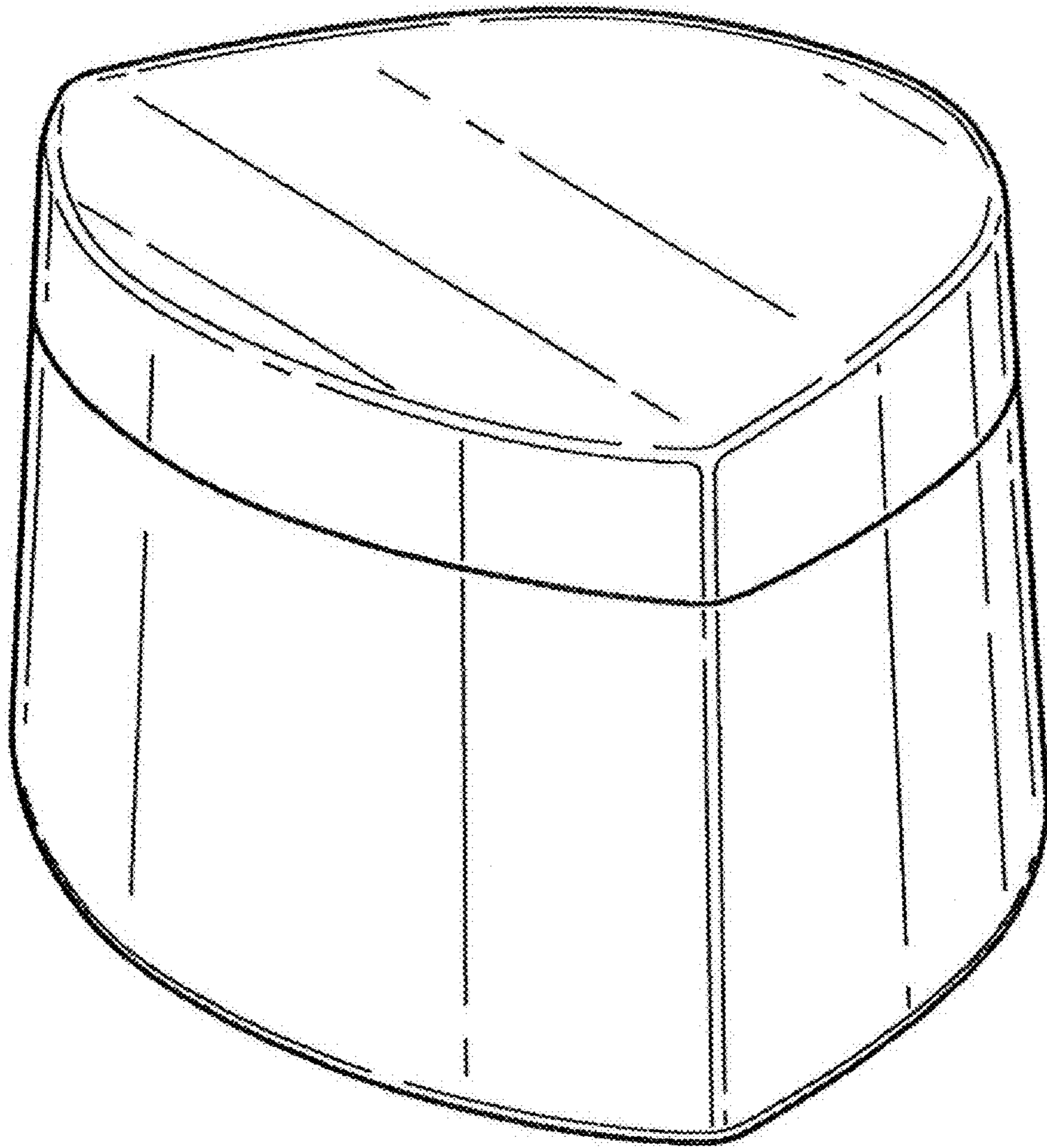


Fig. 1.

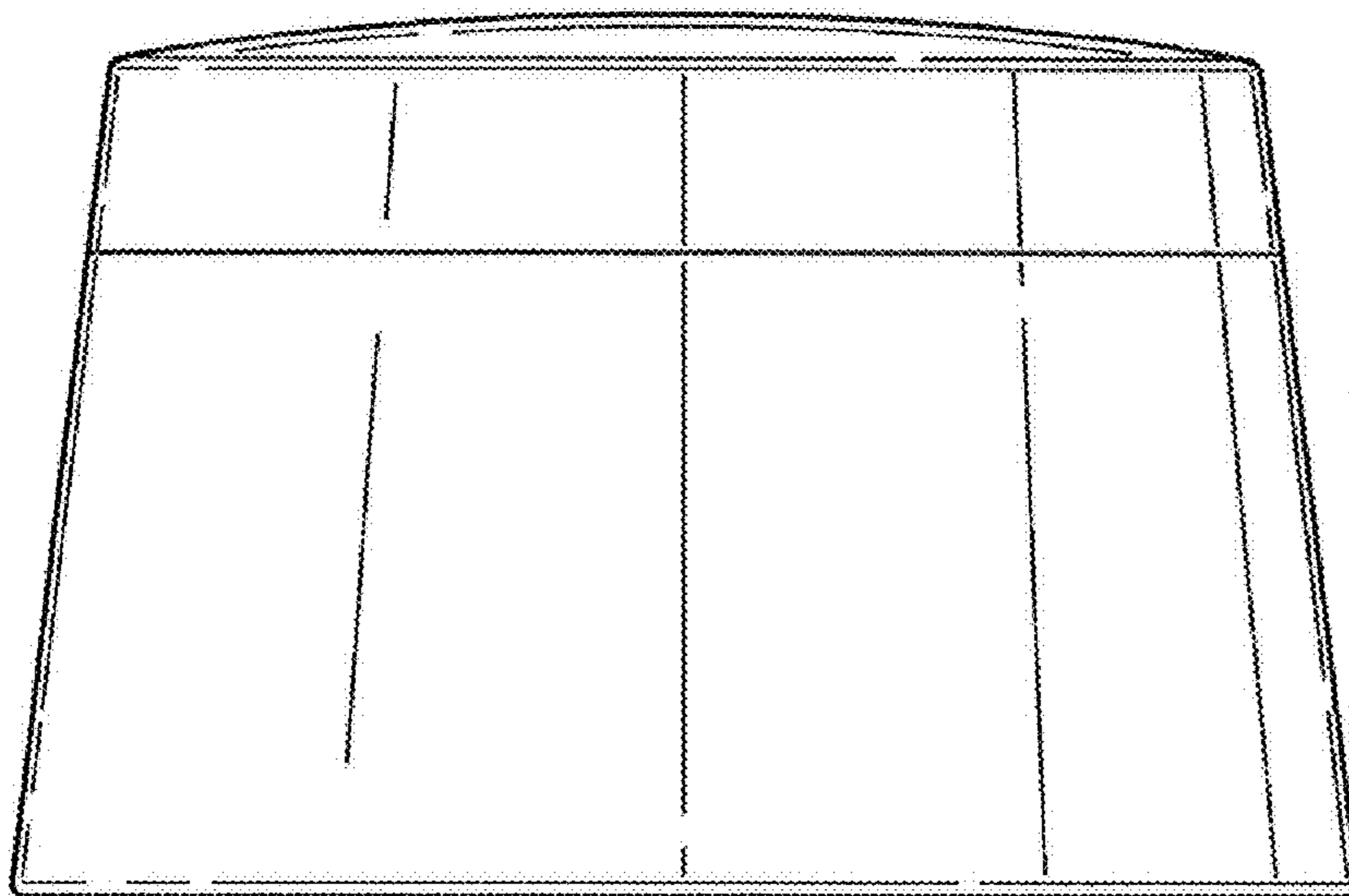


Fig.2.

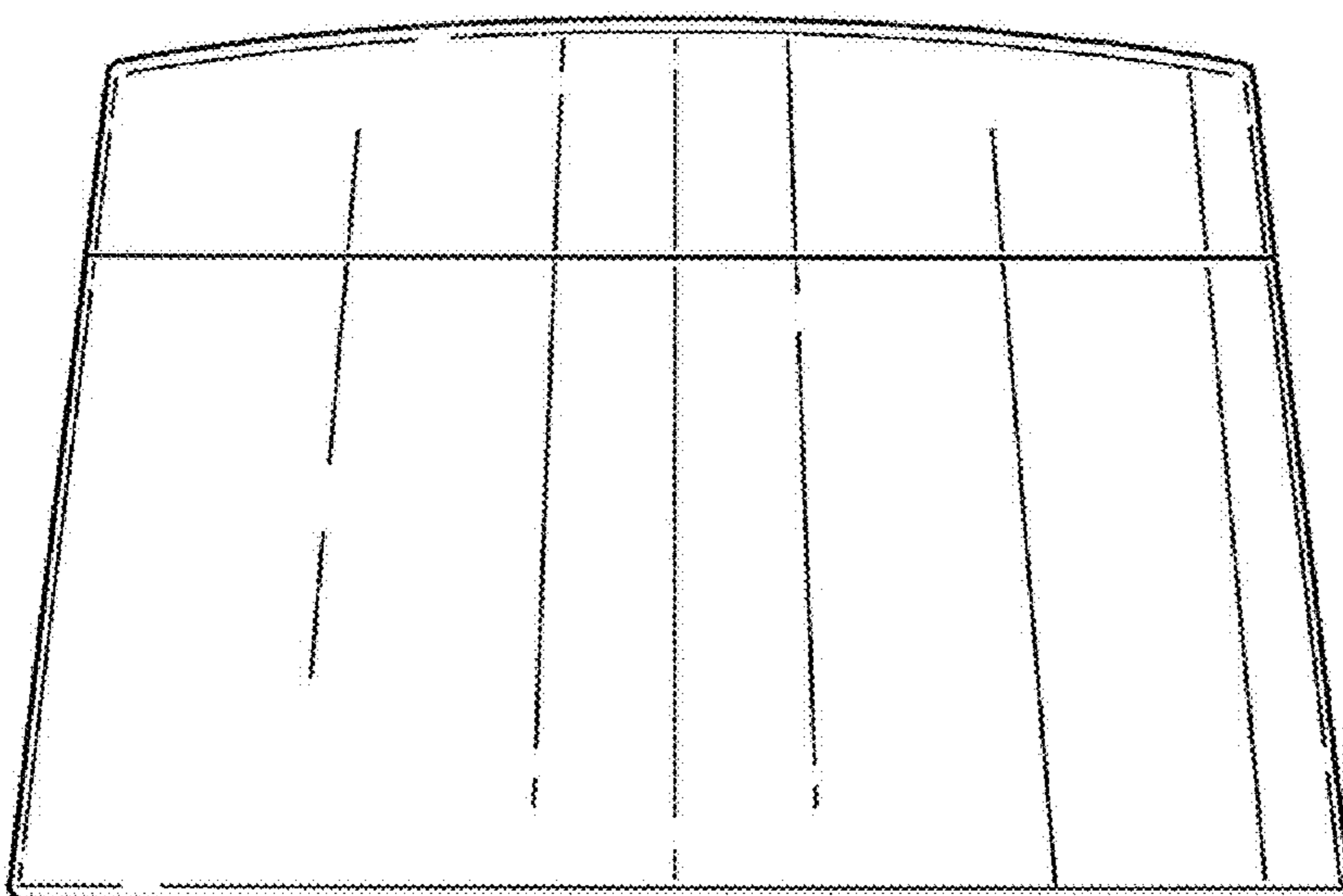


Fig.3.

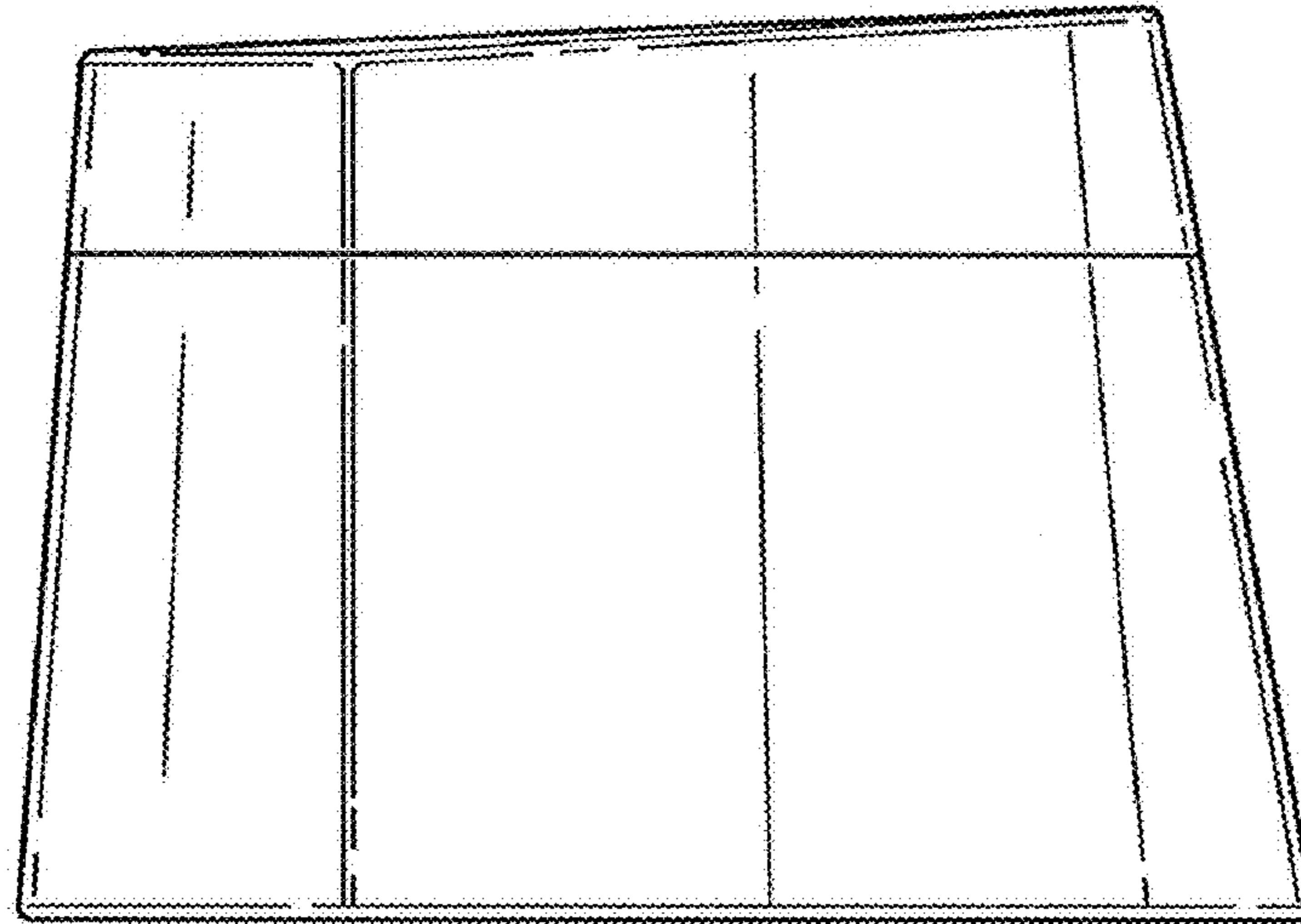


Fig.4.

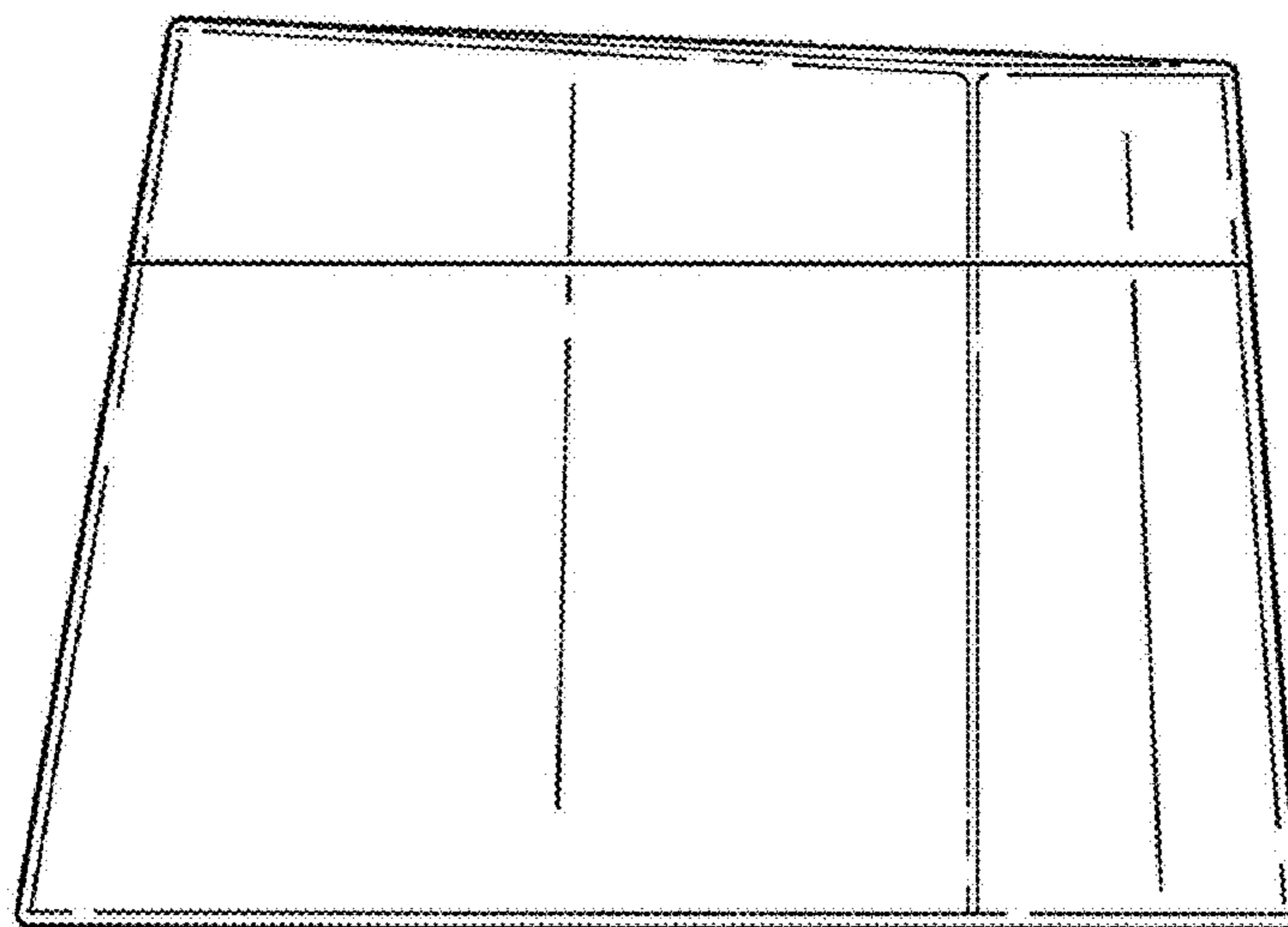


Fig.5.

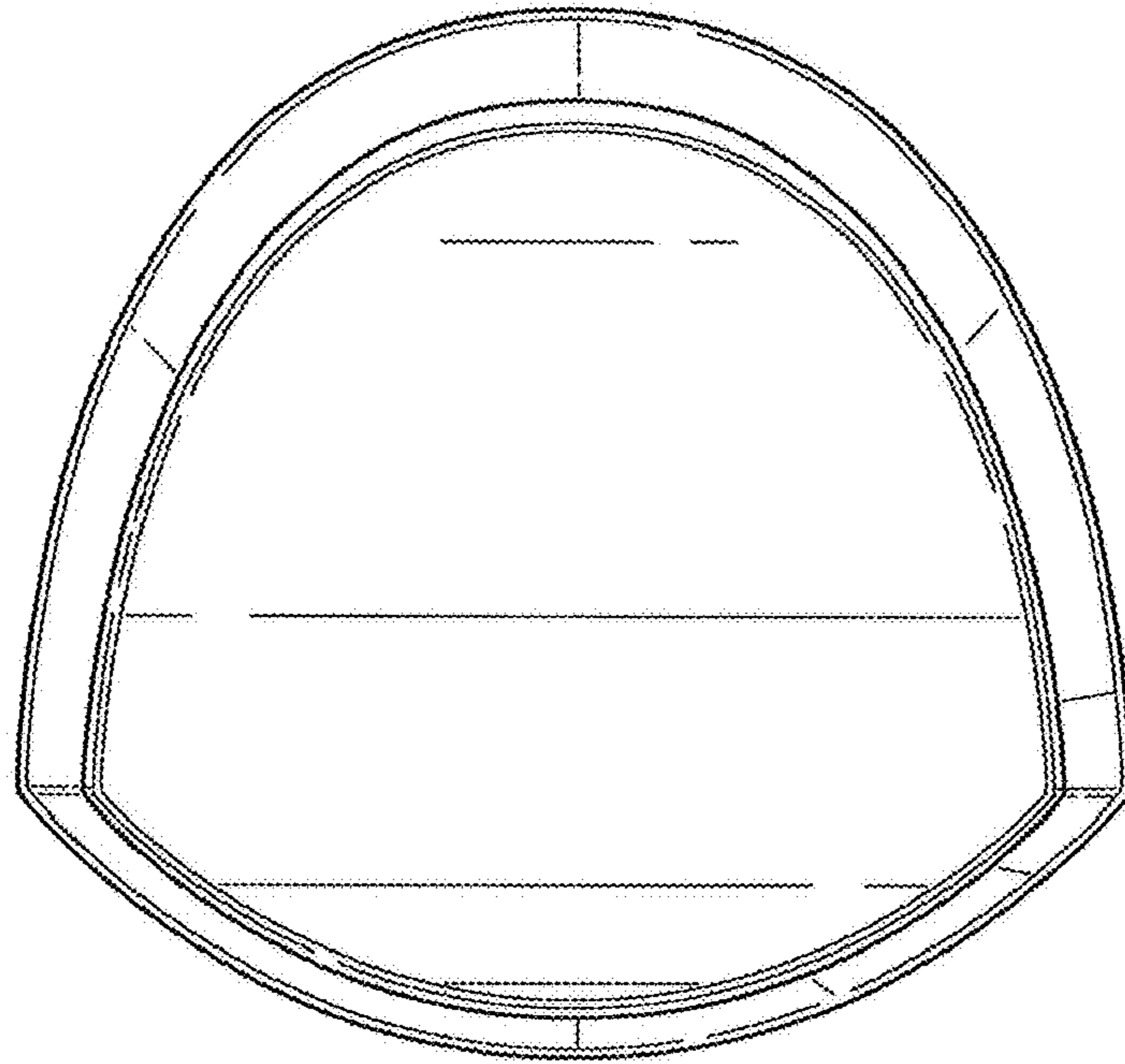


Fig.6.

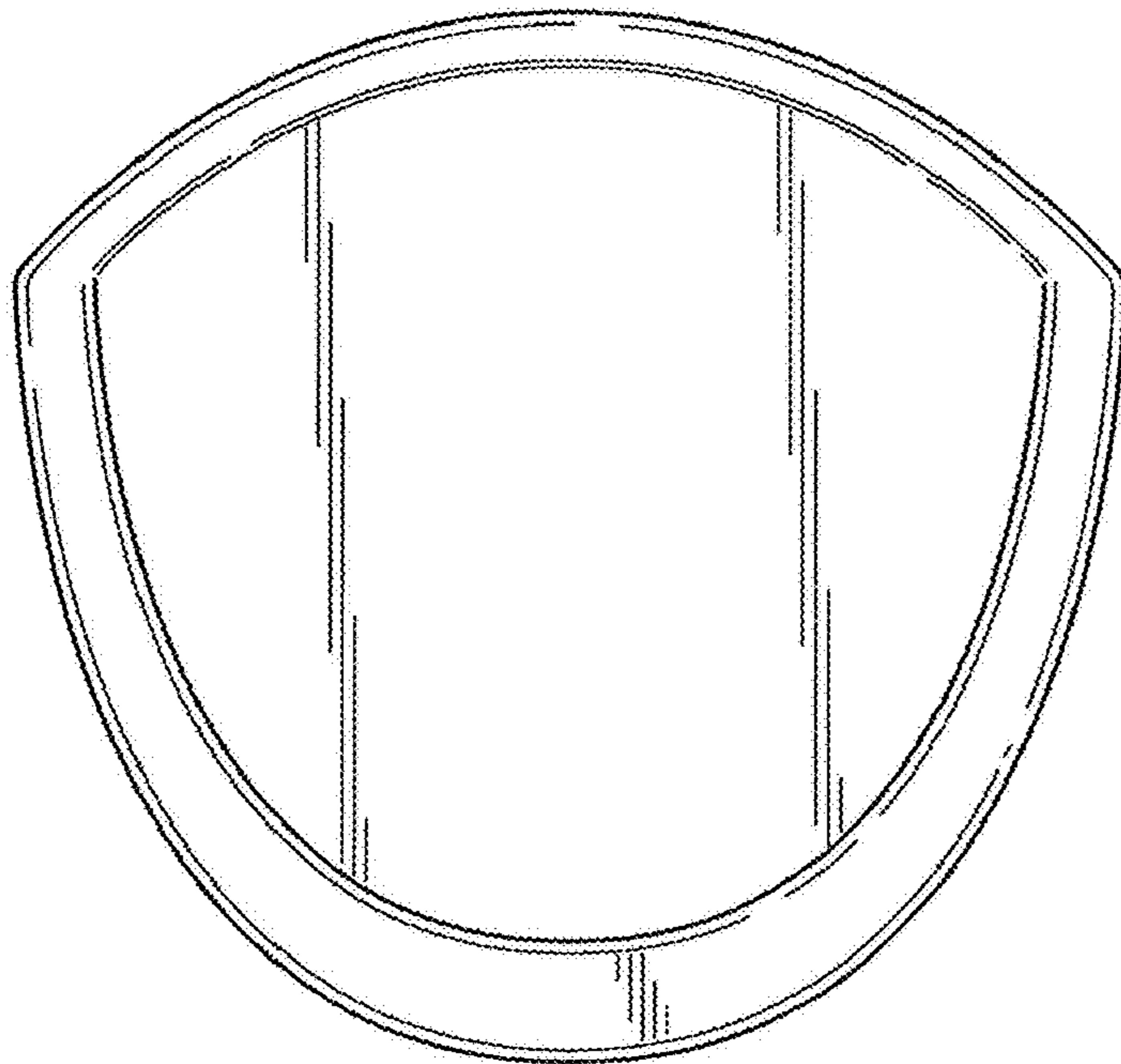


Fig.7.