



US00D658999S

(12) **United States Design Patent**  
**Lonsway et al.**

(10) **Patent No.:** **US D658,999 S**

(45) **Date of Patent:** **\*\* May 8, 2012**

(54) **CONTAINER NECK**

(75) Inventors: **Michael J. Lonsway**, Toledo, OH (US);  
**Bruce A. Becker**, Perrysburg, OH (US);  
**Vincent J. Bailey**, Perrysburg, OH (US)

(73) Assignee: **Owens-Brockway Glass Container Inc.**, Perrysburg, OH (US)

(\*\*) Term: **14 Years**

(21) Appl. No.: **29/334,771**

(22) Filed: **Apr. 1, 2009**

(51) **LOC (9) Cl.** ..... **09-01**

(52) **U.S. Cl.** ..... **D9/516**

(58) **Field of Classification Search** ..... D9/500,  
D9/502, 516, 434, 537-540, 545, 546, 549,  
D9/552, 556, 557, 558, 574; 215/40, 44,  
215/379, 381-385; 220/602, 662, 665, 600,  
220/608, 609, 660, 669, 675

See application file for complete search history.

(56) **References Cited**

**U.S. PATENT DOCUMENTS**

D36,781 S	2/1904	Blower	
D155,868 S	12/1948	Braun	
3,405,831 A *	10/1968	Hudson	215/330
3,468,648 A	9/1969	Nowak	
3,792,988 A	2/1974	Nowak et al.	
3,956,441 A	5/1976	Uhlig	
4,105,428 A	8/1978	Adams	
4,170,622 A	10/1979	Uhlig	
D335,455 S *	5/1993	Brown	D9/537
D335,456 S *	5/1993	Brown	D9/537
D343,580 S *	1/1994	Reynaud	D9/560
D387,668 S *	12/1997	Bond	D9/520
D391,494 S *	3/1998	Bond	D9/546
D406,065 S	2/1999	Cheng	
6,123,211 A *	9/2000	Rashid et al.	215/12.1

D434,662 S *	12/2000	Colonna	D9/516
6,726,044 B1 *	4/2004	Deubel et al.	215/381
D512,316 S *	12/2005	Illenberger et al.	D9/516
D566,562 S *	4/2008	Snyder et al.	D9/516
D566,578 S *	4/2008	Snyder et al.	D9/652
D568,157 S *	5/2008	Snyder et al.	D9/516
D570,692 S *	6/2008	Finn	D9/516
D581,273 S *	11/2008	Adamson et al.	D9/516
D599,667 S *	9/2009	Gedmin	D9/516

(Continued)

**FOREIGN PATENT DOCUMENTS**

DE 24 59 469 A1 11/1975

(Continued)

**OTHER PUBLICATIONS**

“Whats New in Glass Might Surprise You” Food and Drug Packag-  
ing, Oct. 2006 pp. 68-70.

*Primary Examiner* — Elizabeth J Oswecki

(57) **CLAIM**

We claim the ornamental design for a container neck, as shown and described.

**DESCRIPTION**

FIG. 1 is a perspective view of a container neck showing our new design;

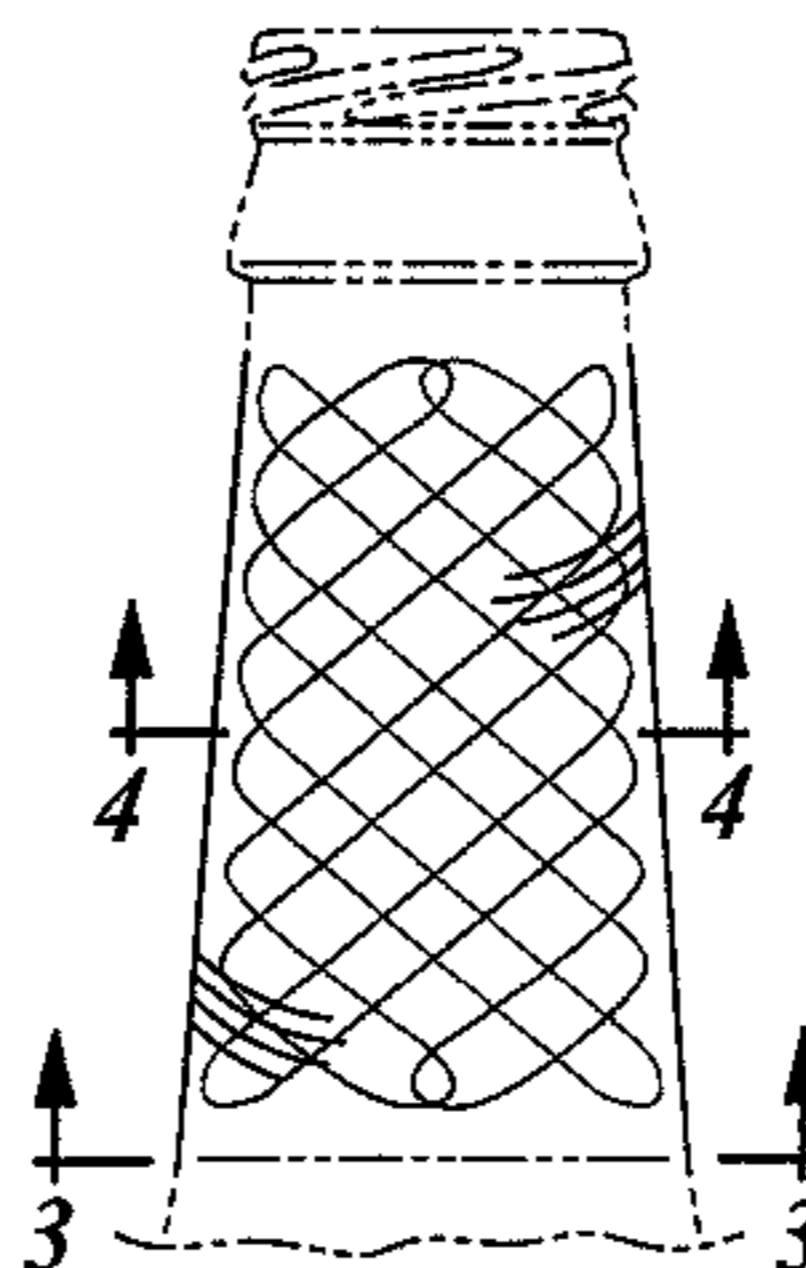
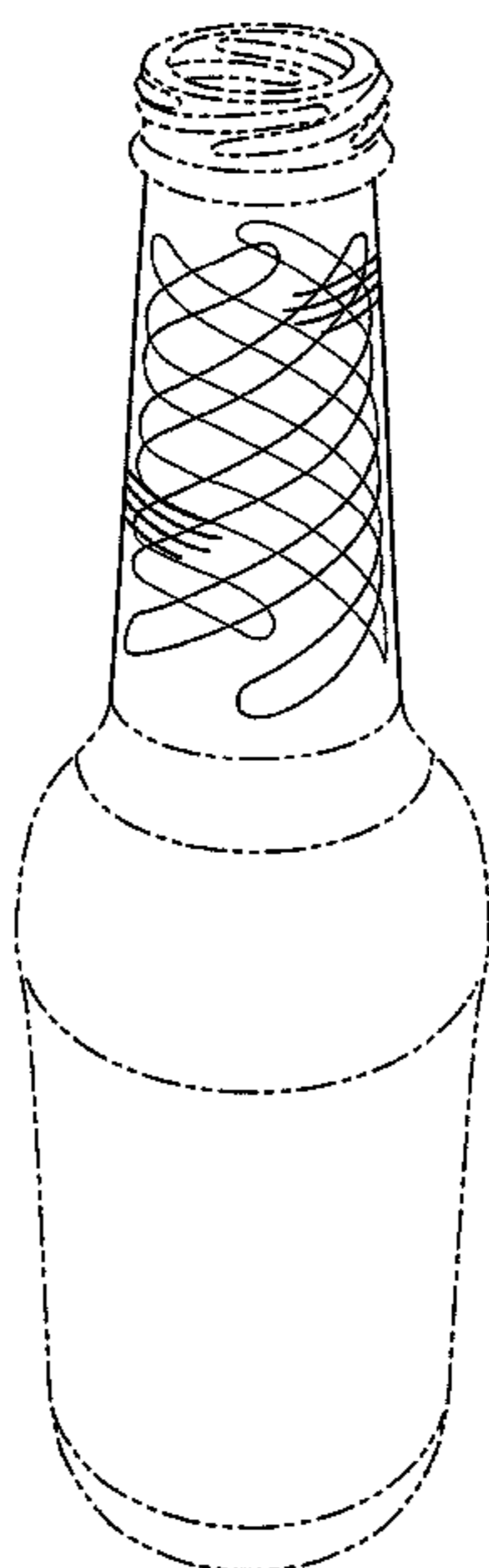
FIG. 2 is a front elevational view thereof, the side elevational views and the rear elevational view being identical to FIG. 2.

FIG. 3 is a cross sectional view taken along the line 3-3 of FIG. 2; and,

FIG. 4 is a cross sectional view taken along the line 4-4 of FIG. 2.

Portions of the container illustrated in broken lines or not illustrated in the drawings form no part of the claimed design.

**1 Claim, 1 Drawing Sheet**



# US D658,999 S

Page 2

---

## U.S. PATENT DOCUMENTS

D615,865	S *	5/2010	Arnell et al. ....	D9/516
2001/0052508	A1 *	12/2001	Wagner .....	215/41
2003/0057173	A1 *	3/2003	Wagner .....	215/44
2003/0106873	A1 *	6/2003	Grillo .....	215/41
2003/0132188	A1 *	7/2003	Beek et al. ....	215/44
2003/0168372	A1	9/2003	Headen et al.	
2007/0051687	A1 *	3/2007	Olson .....	215/44
2007/0080128	A1 *	4/2007	Laveault et al. ....	215/44
2007/0125720	A1	6/2007	Stecca	
2008/0047922	A1 *	2/2008	Olson et al. ....	215/40
2009/0084799	A1	4/2009	Mondon	
2010/0181278	A1 *	7/2010	Martin .....	215/40
2010/0264107	A1 *	10/2010	Lonsway et al. ....	215/40

## FOREIGN PATENT DOCUMENTS

FR	1 246 454	1/1960
FR	2881421 (A1)	8/2006
JP	360145918 A	8/1985
JP	2001-322161	11/2001
JP	2007-8536	1/2007
KR	20-0255577	12/2001
KR	10-0906227	7/2009
KR	10-0916631	9/2009
WO	WO 2005/120306	12/2005
WO	WO 2010/064749	6/2010

\* cited by examiner

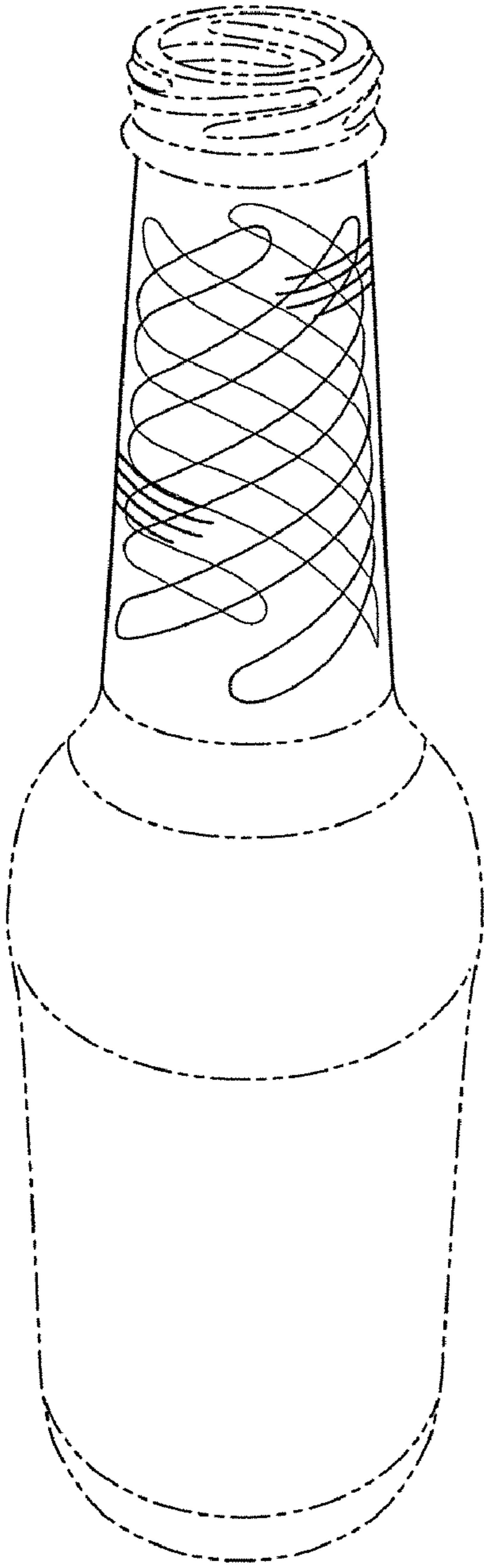


FIG. 1

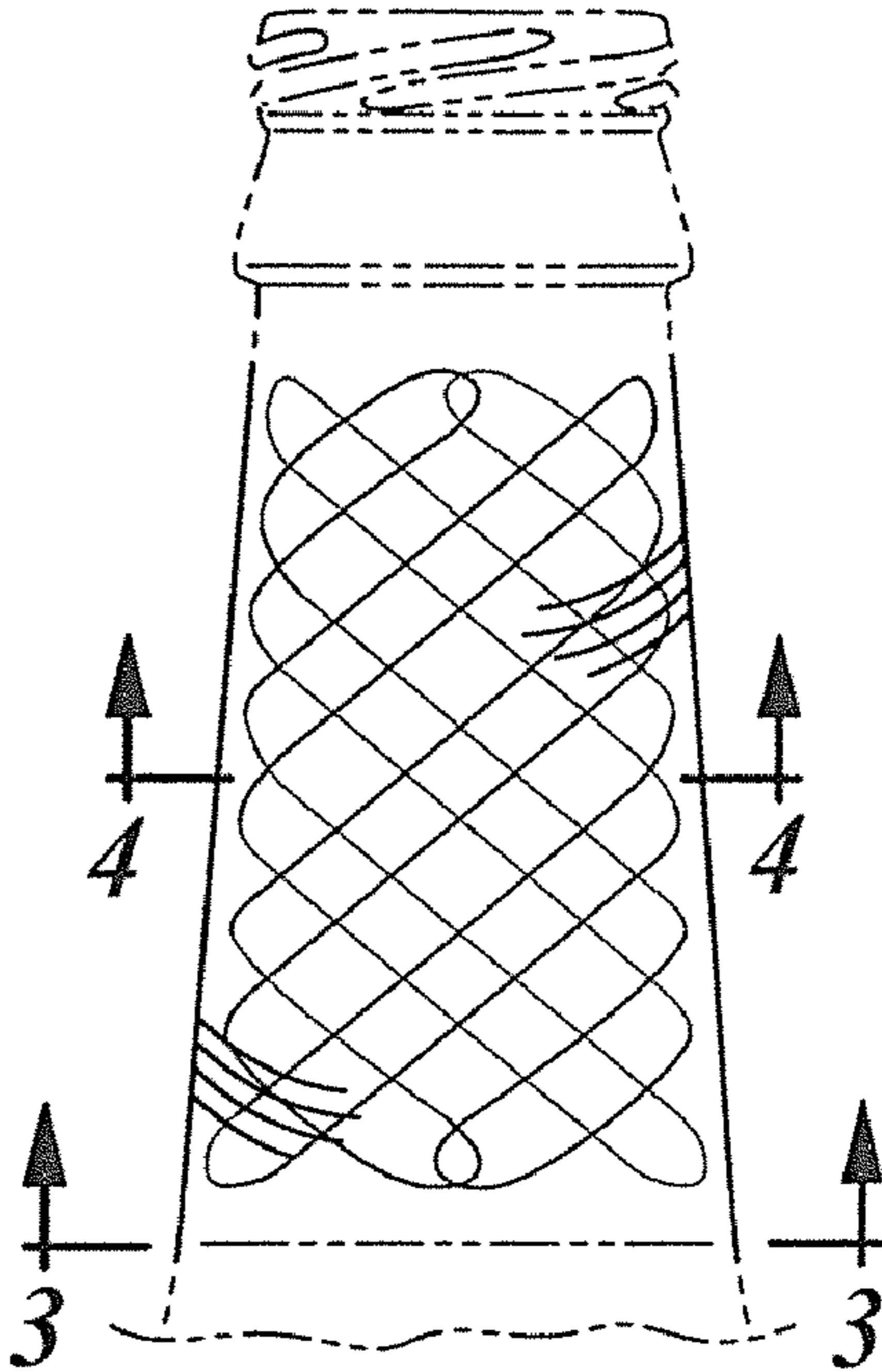


FIG. 2

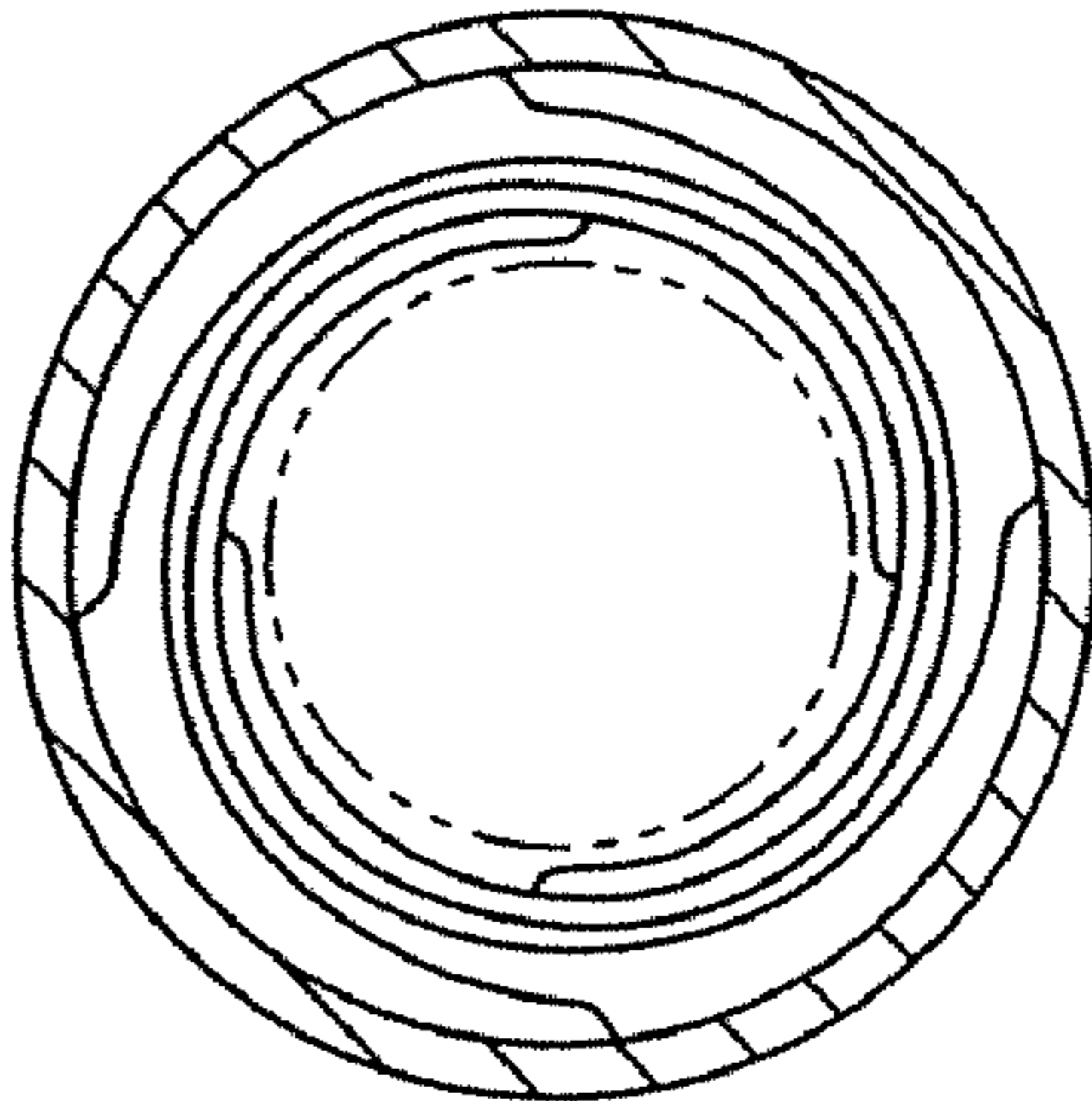


FIG. 3

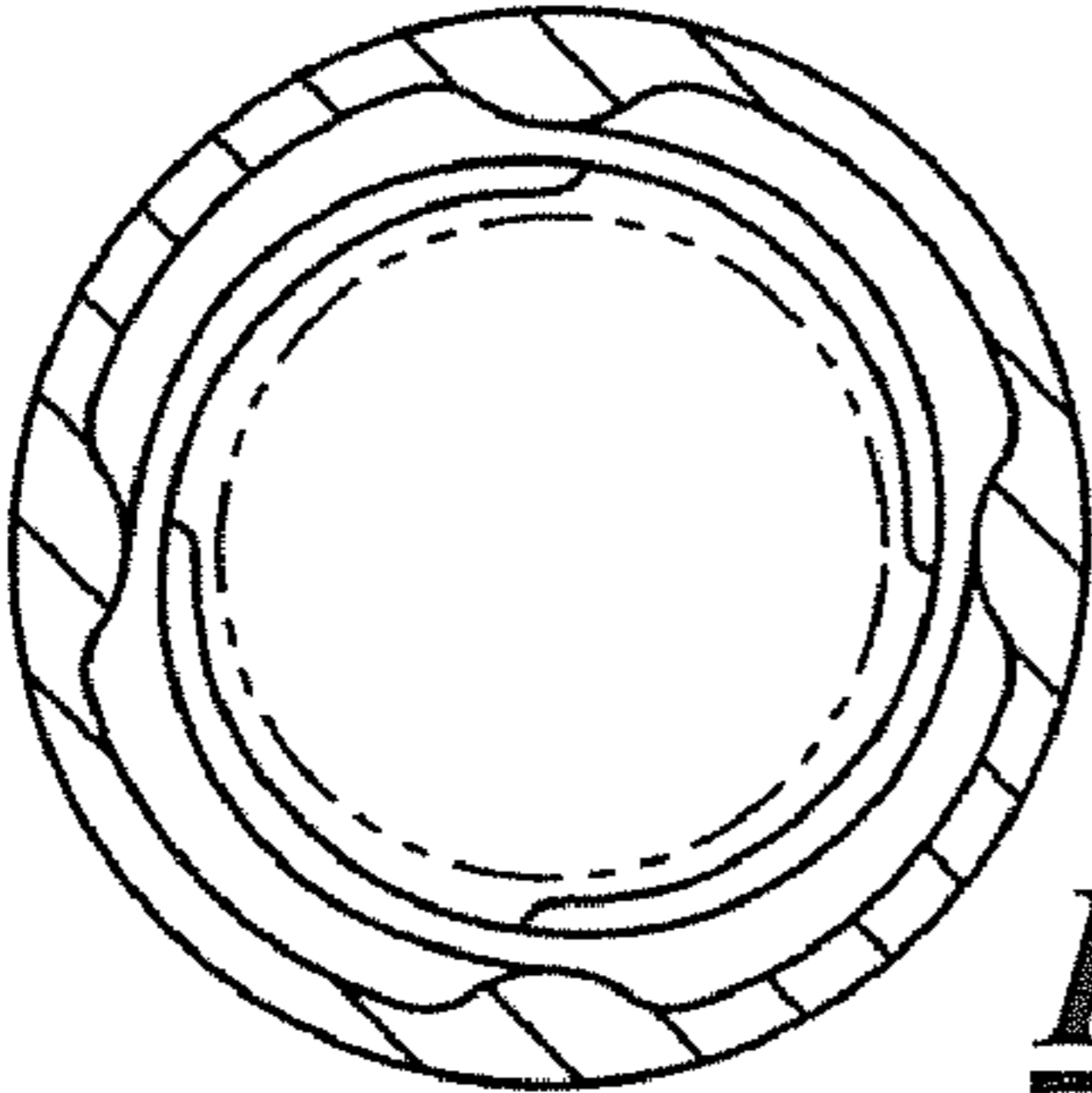


FIG. 4