

US00D658988S

(12) **United States Design Patent**
Pauser et al.

(10) **Patent No.:** **US D658,988 S**

(45) **Date of Patent:** **** May 8, 2012**

(54) **CLOSING CAP**

(75) Inventors: **Helmut Pauser**, Diessen (DE); **Stefan Eckstein**, Munich (DE)

(73) Assignee: **3M Innovative Properties Company**, Saint Paul, MN (US)

(**) Term: **14 Years**

(21) Appl. No.: **29/380,770**

(22) Filed: **Dec. 10, 2010**

(30) **Foreign Application Priority Data**

Jun. 14, 2010 (EM) 1219414-1/6

(51) **LOC (9) Cl.** **09-07**

(52) **U.S. Cl.** **D9/454**

(58) **Field of Classification Search** D9/695,
D9/659, 529, 504, 503, 454, 452, 451, 447,
D9/445, 444, 443, 441, 439, 435; D8/310,
D8/307, 7; D24/224, 222; D21/388, 389;
220/915, 376, 288, 212, 22; 215/329, 316,
215/228, 218, 200

See application file for complete search history.

(56) **References Cited**

U.S. PATENT DOCUMENTS

D28,636 S *	5/1898	Tappan	D9/454
D99,615 S *	5/1936	Werner	D9/452
D112,513 S *	12/1938	Carvalho	D9/454
D125,469 S *	2/1941	Gebhardt	D9/529
D145,470 S *	8/1946	Sussman	D9/529
D153,054 S *	3/1949	Wolfe	D9/529
D339,293 S *	9/1993	Boucheron	D9/529
D343,125 S *	1/1994	Boucheron	D9/529
D402,892 S *	12/1998	Hering	D9/454
D643,299 S *	8/2011	Bunce et al.	D9/529

* cited by examiner

Primary Examiner — Susan Bennett Hattan

(74) *Attorney, Agent, or Firm* — Pamela L. Stewart

(57) **CLAIM**

The ornamental design for a closing cap, as shown and described.

DESCRIPTION

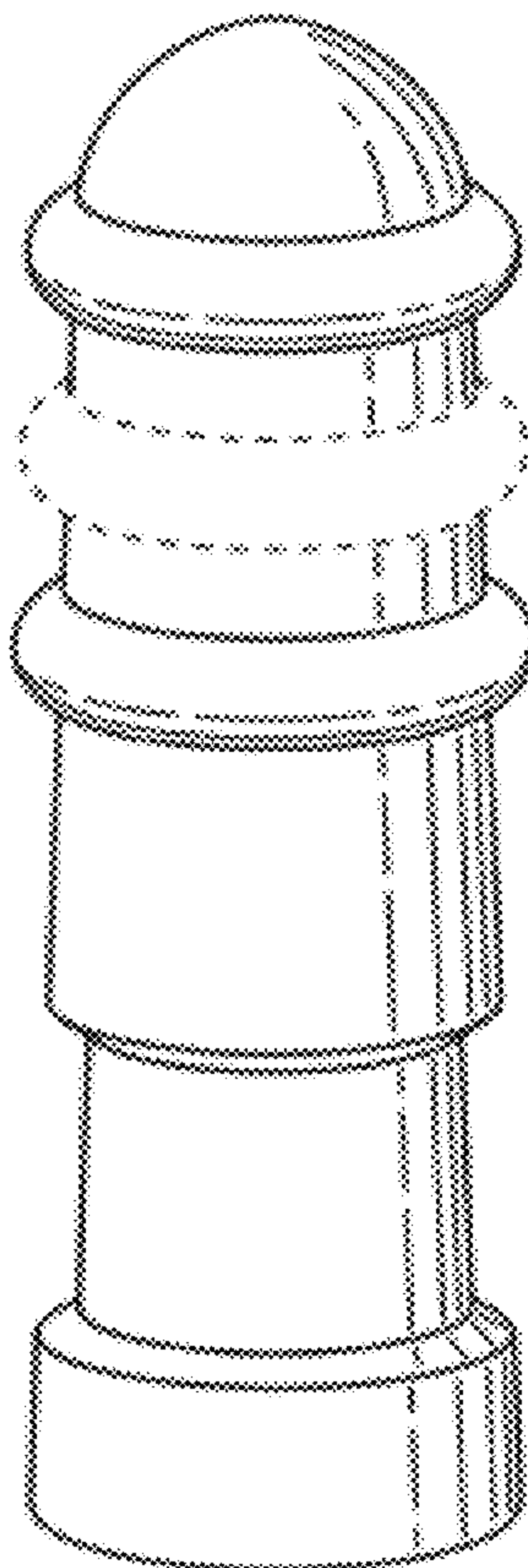
FIG. 1 is a perspective view of the new design for a closing cap.

FIG. 2 is a side view thereof;

FIG. 3 is a top view thereof; and,

FIG. 4 is a bottom view thereof.

1 Claim, 1 Drawing Sheet



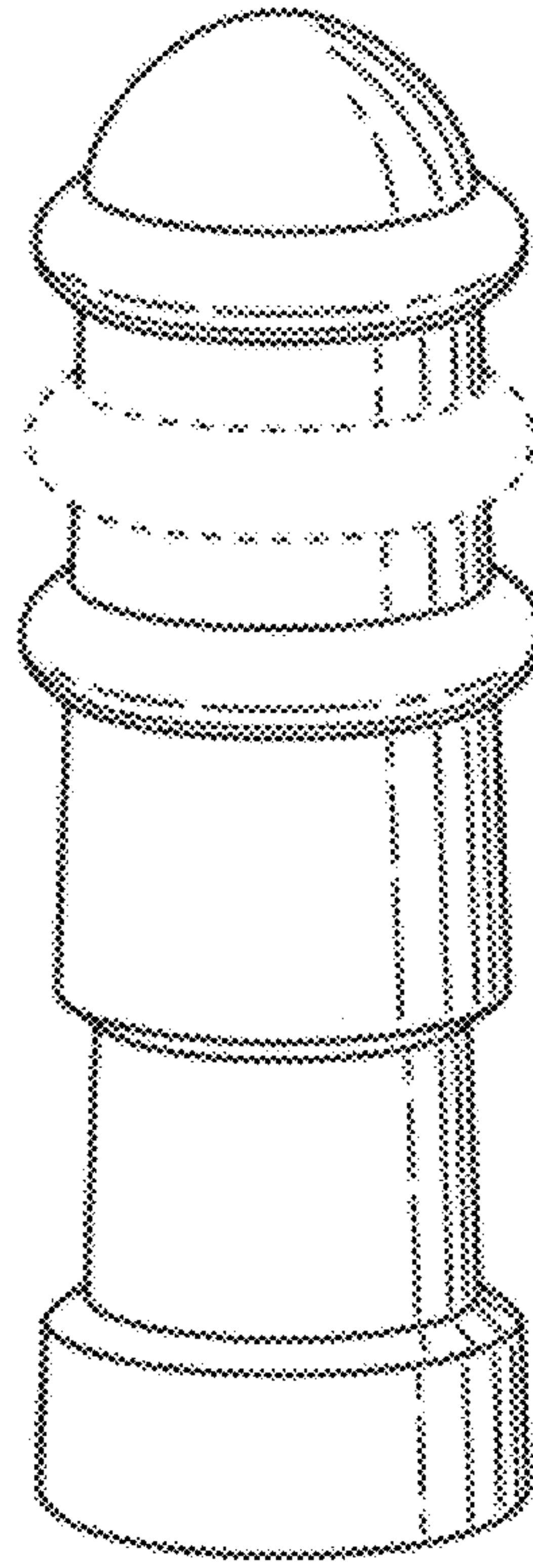


Fig. 1

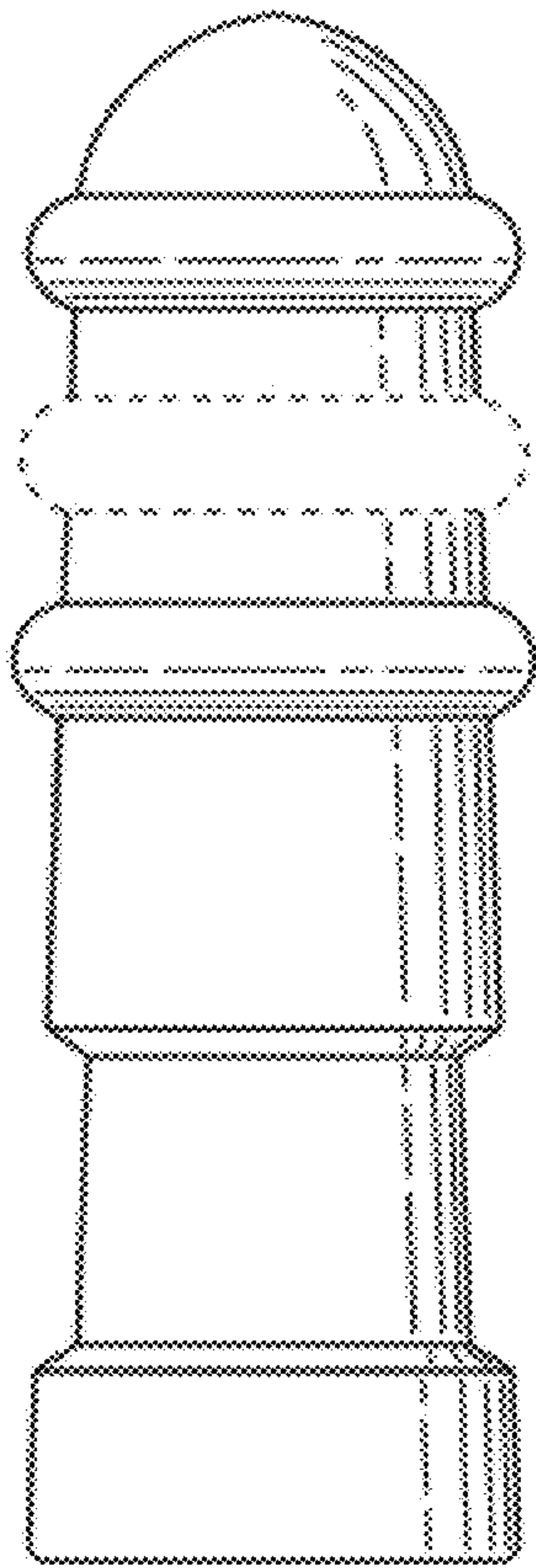


Fig. 2

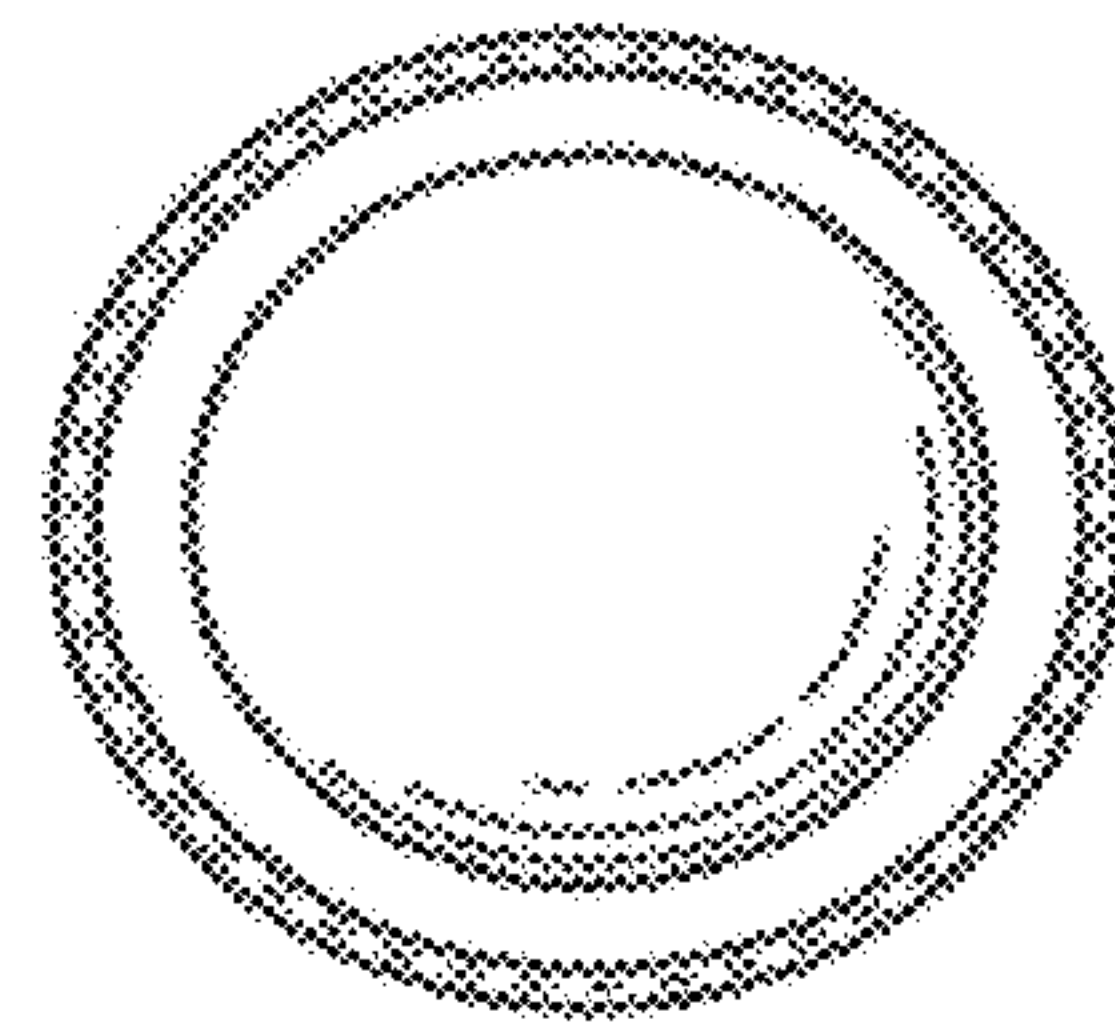


Fig. 3

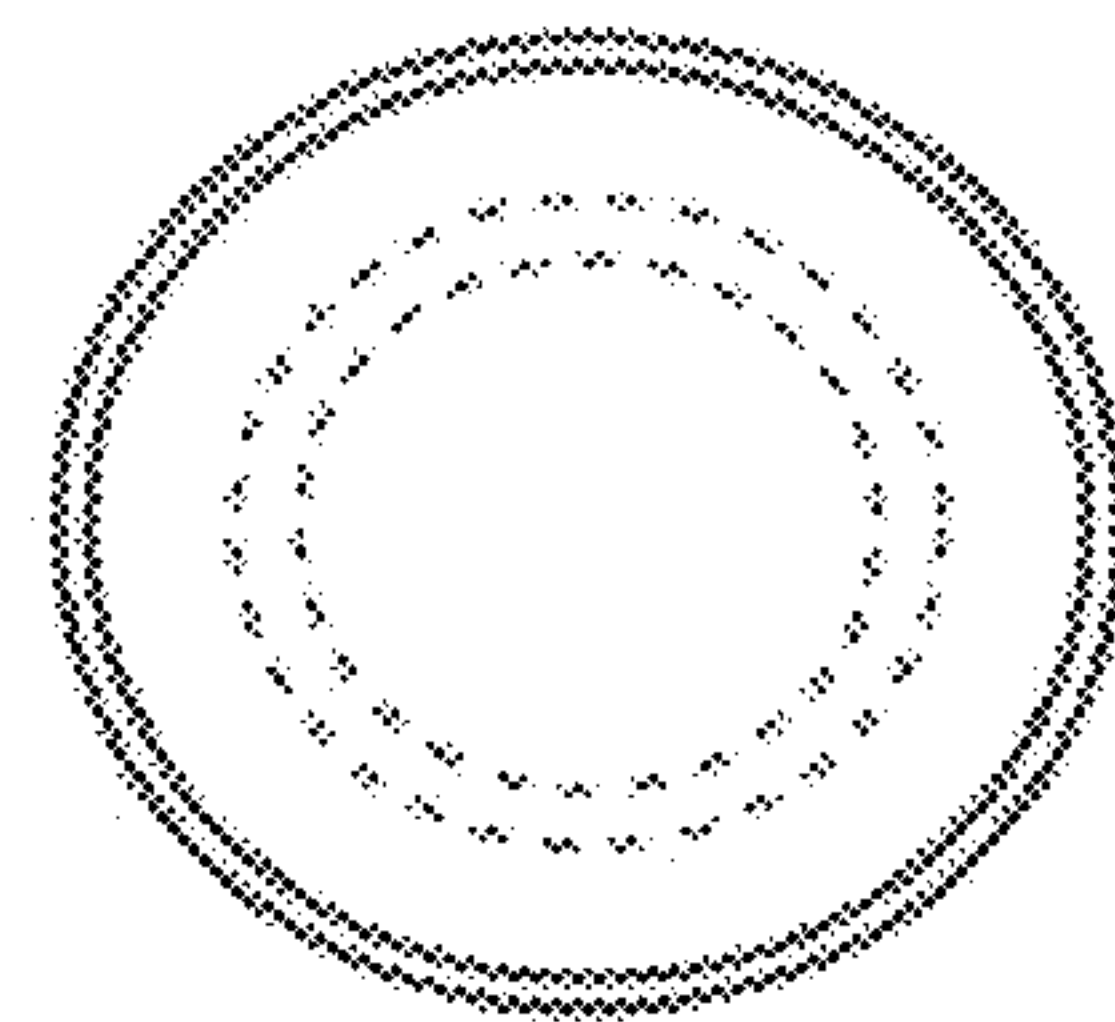


Fig. 4