



US00D658987S

(12) **United States Design Patent**  
**Pauser et al.**

(10) **Patent No.:** **US D658,987 S**  
(45) **Date of Patent:** **\*\* May 8, 2012**

(54) **CLOSING CAP**

(56) **References Cited**

(75) Inventors: **Helmut Pauser**, Diessen (DE); **Stefan Eckstein**, Munich (DE)

(73) Assignee: **3M Innovative Properties Company**, Saint Paul, MN (US)

(\*\*) Term: **14 Years**

(21) Appl. No.: **29/380,766**

(22) Filed: **Dec. 10, 2010**

(30) **Foreign Application Priority Data**

Jun. 14, 2010 (EM) ..... 1219414-1/6

(51) **LOC (9) Cl.** ..... **09-07**

(52) **U.S. Cl.** ..... **D9/454**

(58) **Field of Classification Search** ..... D9/695,  
D9/659, 529, 504, 503, 454, 452, 451, 445,  
D9/444, 443, 441, 439, 435; D8/310, 307,  
D8/7; D24/224, 222; D21/388, 389; 220/915,  
220/376, 288, 212, 22; 215/329, 316, 228,  
215/218, 200

See application file for complete search history.

U.S. PATENT DOCUMENTS

D28,636 S *	5/1898	Tappan .....	D9/454
D56,107 S *	8/1920	Rustant .....	D9/439
D56,768 S *	12/1920	Rustant .....	D9/439
D91,504 S *	2/1934	Stein .....	D9/529
D112,513 S *	12/1938	Carvalho .....	D9/454
D125,469 S *	2/1941	Gebhardt .....	D9/529
D145,470 S *	8/1946	Sussman .....	D9/529
D153,054 S *	3/1949	Wolfe .....	D9/529
D343,125 S *	1/1994	Boucheron .....	D9/529
D407,977 S *	4/1999	Farris .....	D9/452

\* cited by examiner

*Primary Examiner* — Susan Bennett Hattan

(74) *Attorney, Agent, or Firm* — Pamela L. Stewart

(57) **CLAIM**

The ornamental design for a closing cap, as shown and described.

**DESCRIPTION**

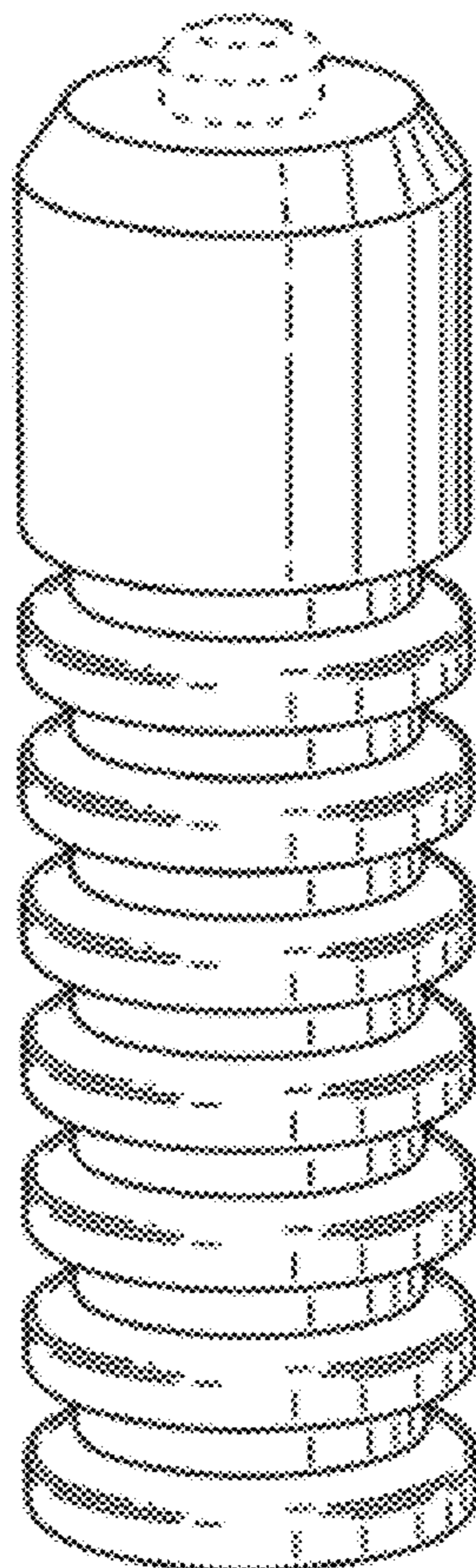
FIG. 1 is a perspective view of the new design for a closing cap.

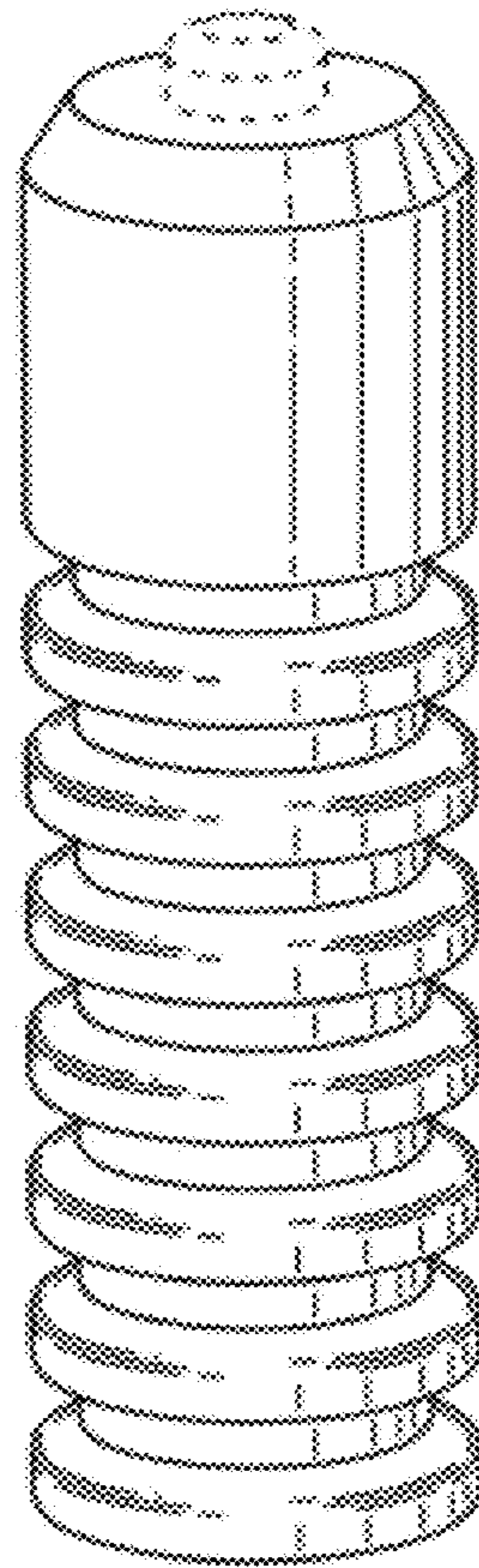
FIG. 2 is a side view thereof;

FIG. 3 is a top view thereof; and,

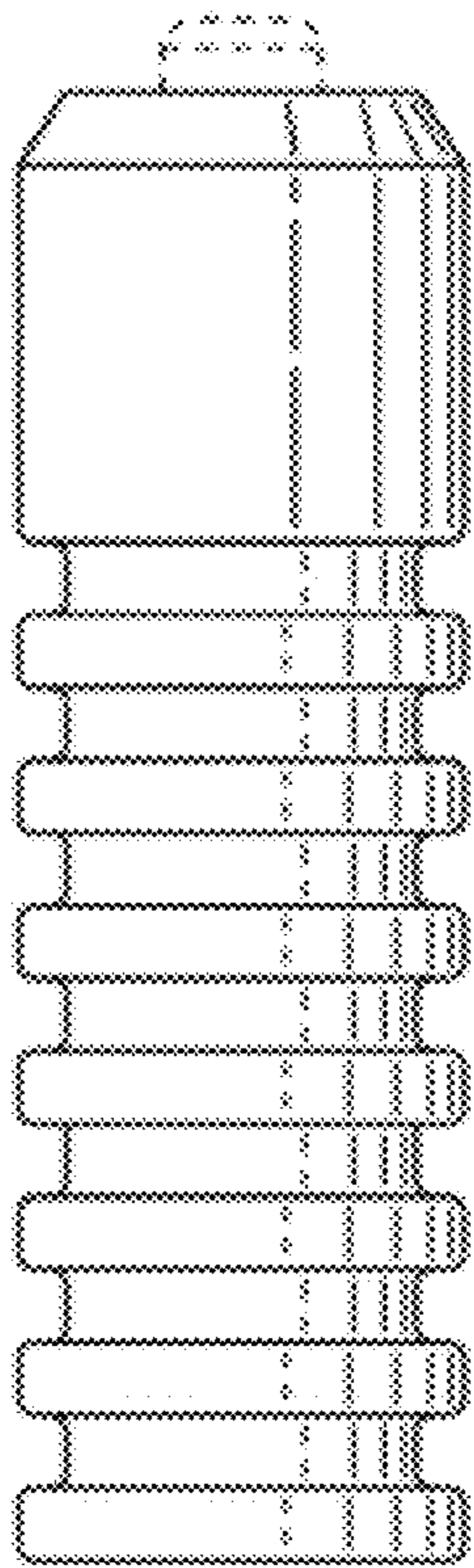
FIG. 4 is a bottom view thereof.

**1 Claim, 1 Drawing Sheet**

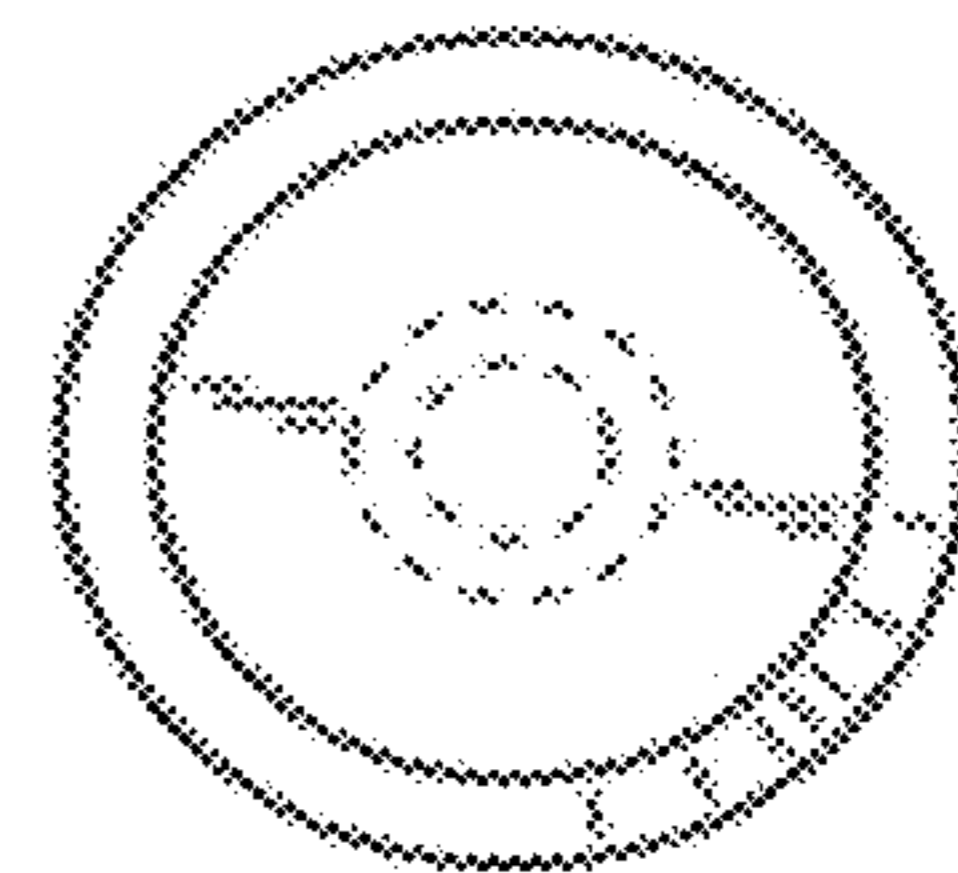




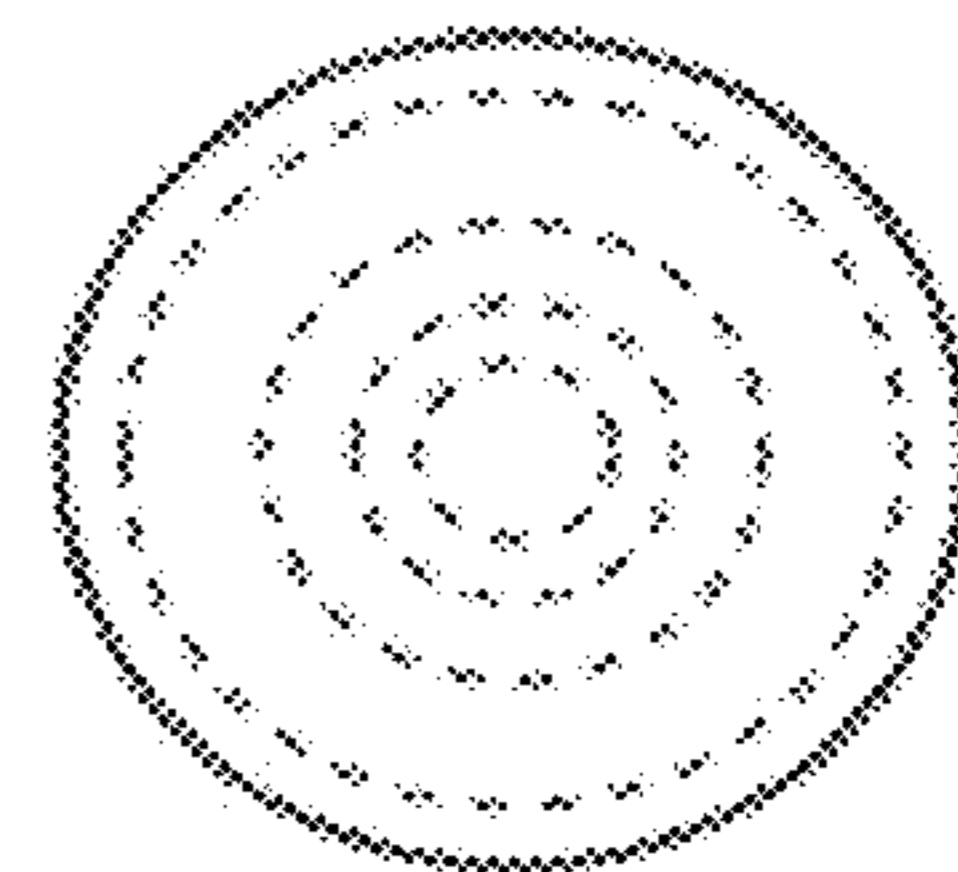
*Fig. 1*



*Fig. 2*



*Fig. 3*



*Fig. 4*