



US00D658986S

(12) **United States Design Patent**
Pauser et al.

(10) **Patent No.:** **US D658,986 S**

(45) **Date of Patent:** **** May 8, 2012**

(54) **CLOSING CAP**

(75) Inventors: **Helmut Pauser**, Diessen (DE); **Stefan Eckstein**, Munich (DE)

(73) Assignee: **3M Innovative Properties Company**, Saint Paul, MN (US)

(**) Term: **14 Years**

(21) Appl. No.: **29/380,768**

(22) Filed: **Dec. 10, 2010**

(30) **Foreign Application Priority Data**

Jun. 14, 2010 (EP) 1219414-1/6

(51) **LOC (9) Cl.** **09-07**

(52) **U.S. Cl.** **D9/443**

(58) **Field of Classification Search** D9/695,
D9/659, 529, 504, 503, 454, 453, 452, 451,
D9/445, 444, 443, 441, 439, 435; D8/310,
D8/307, 7; D24/224, 222; D21/388, 389;
220/915, 376, 288, 212, 22; 215/329, 316,
215/228, 218, 200

See application file for complete search history.

(56) **References Cited**

U.S. PATENT DOCUMENTS

D125,469	S	*	2/1941	Gebhardt	D9/529
D167,725	S	*	9/1952	Soffer	D9/443
D277,736	S	*	2/1985	Long	D9/443
D279,080	S	*	6/1985	Negishi	D9/453
D310,969	S	*	10/1990	Butler	D9/453
D358,329	S	*	5/1995	Dickie	D9/443
D362,623	S	*	9/1995	Ma	D9/443
D381,907	S	*	8/1997	King	D9/443
D443,512	S	*	6/2001	Kishita et al.	D9/443

* cited by examiner

Primary Examiner — Susan Bennett Hattan

(74) *Attorney, Agent, or Firm* — Pamela L. Stewart

(57) **CLAIM**

The ornamental design for a closing cap, as shown and described.

DESCRIPTION

FIG. 1 is a perspective view of the new design for a closing cap.

FIG. 2 is a front view thereof

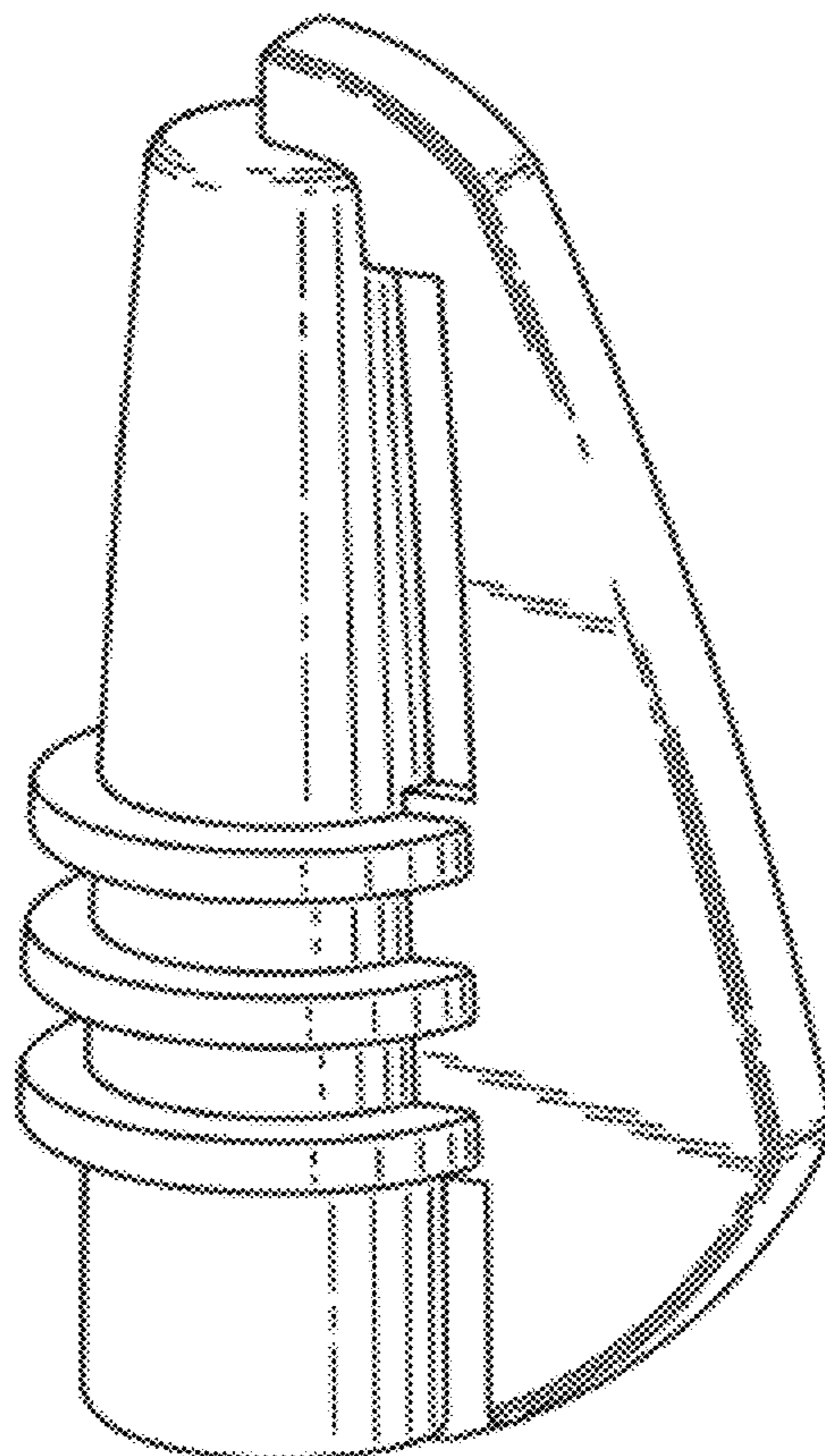
FIG. 3 is a back view thereof;

FIG. 4 is a side view thereof;

FIG. 5 is a top view thereof; and,

FIG. 6 is a bottom view thereof.

1 Claim, 2 Drawing Sheets



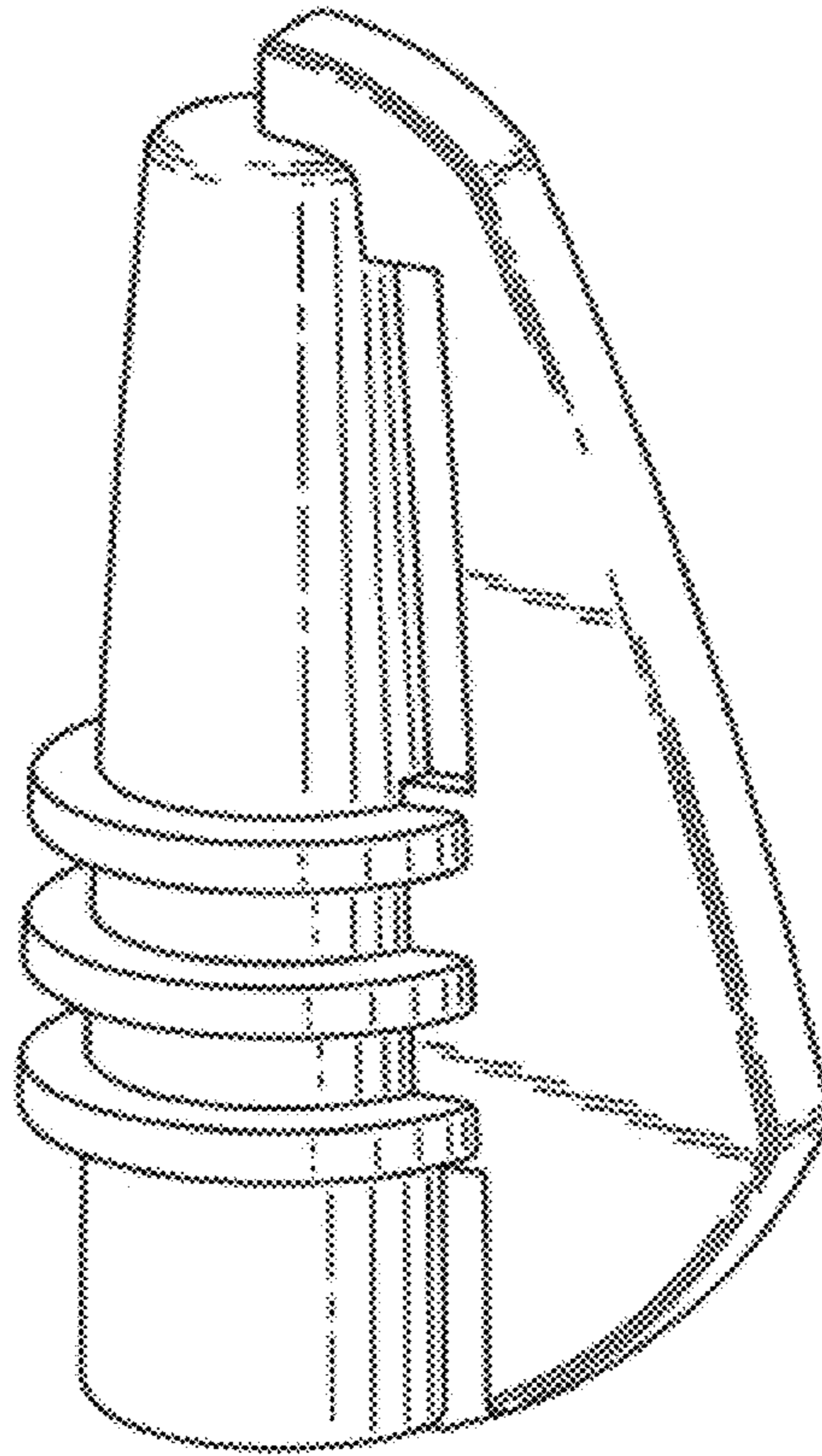


Fig. 1

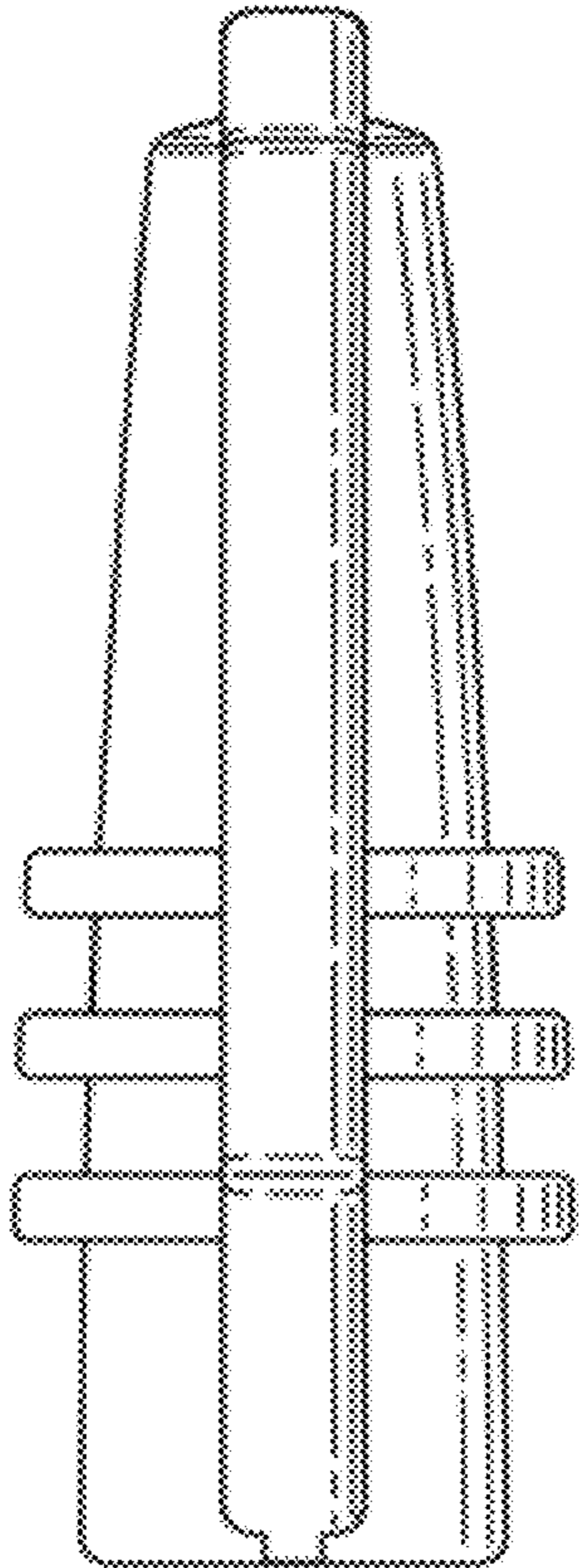


Fig. 2

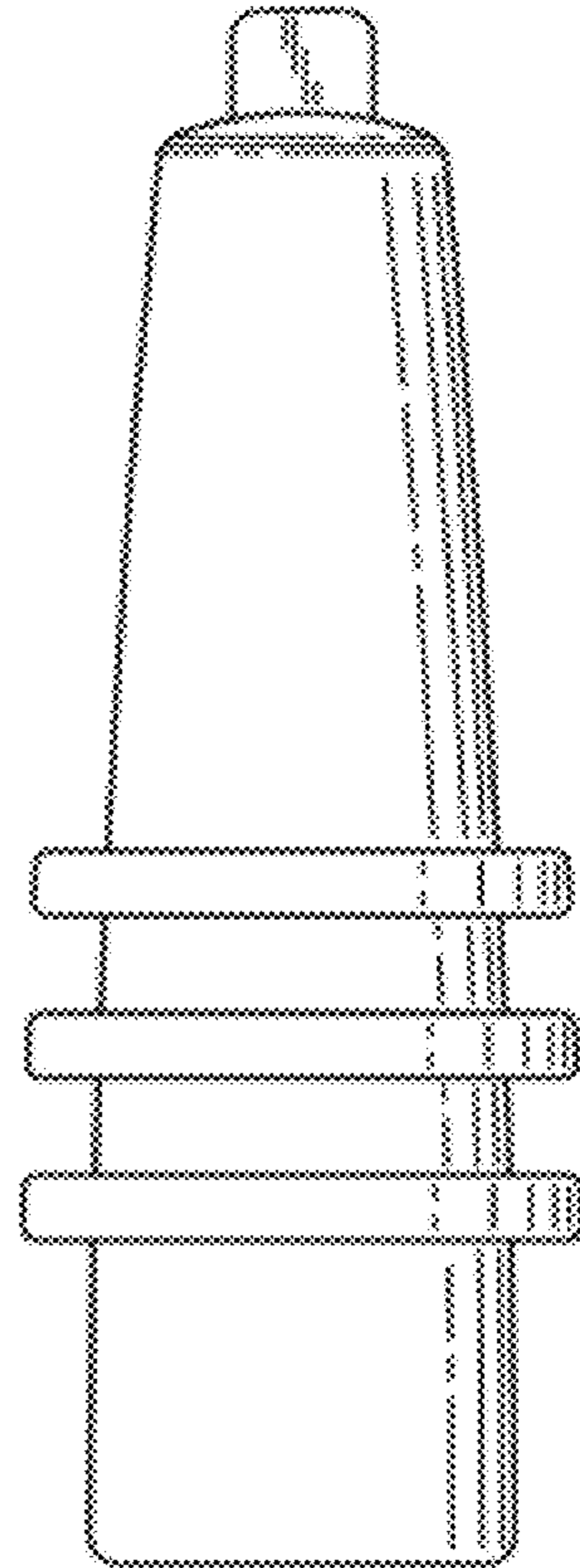


Fig. 3

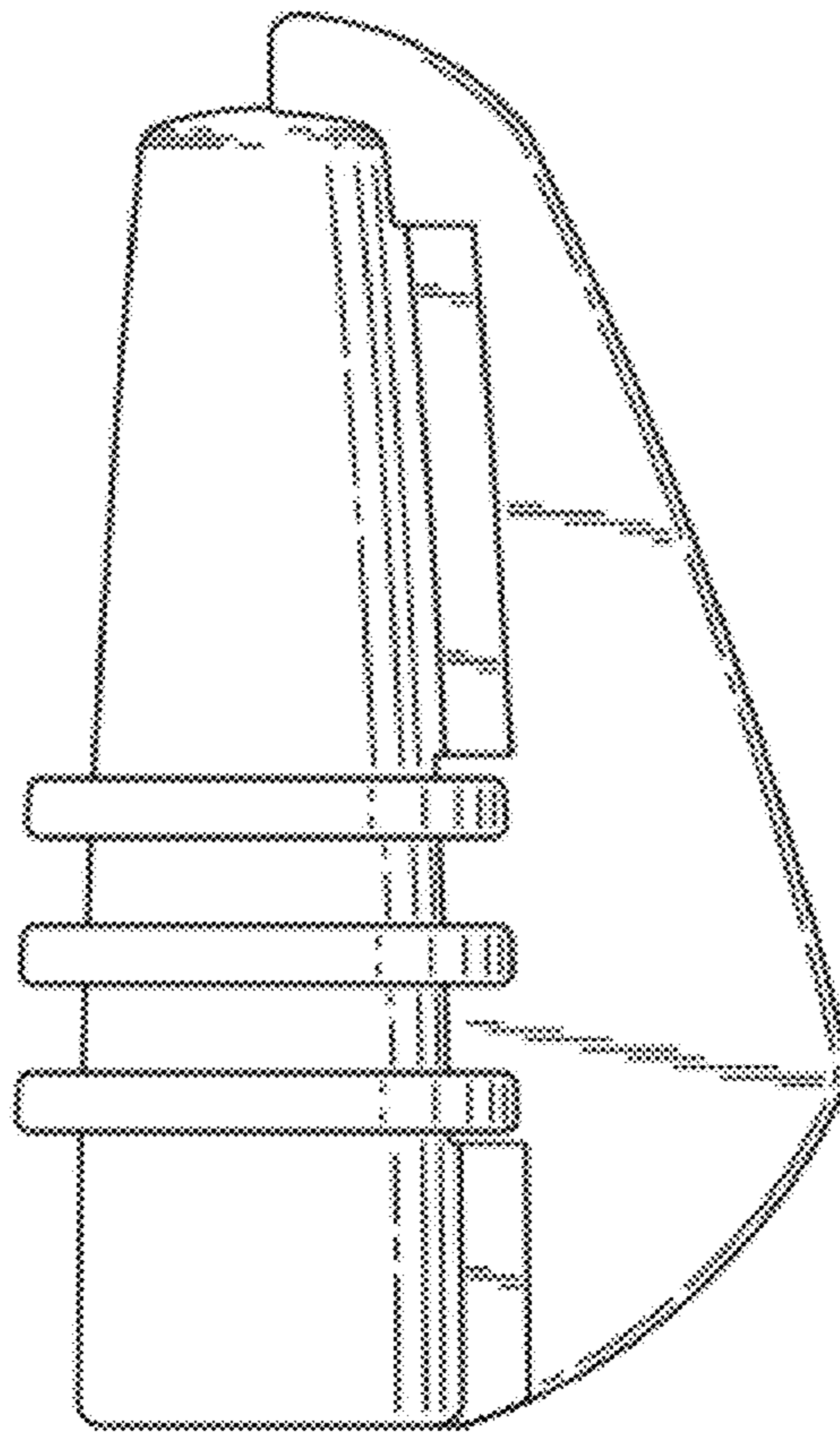


Fig. 4

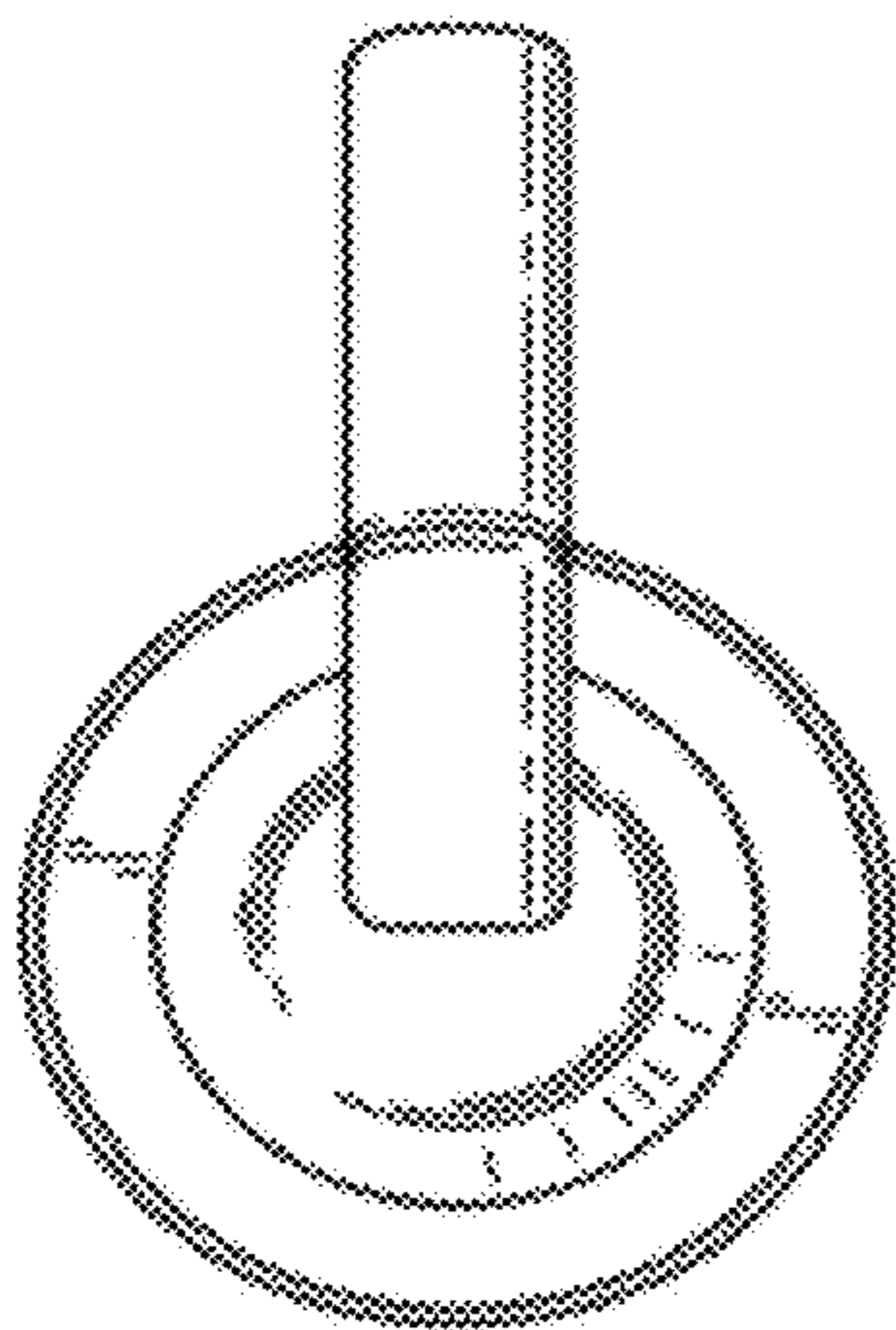


Fig. 5

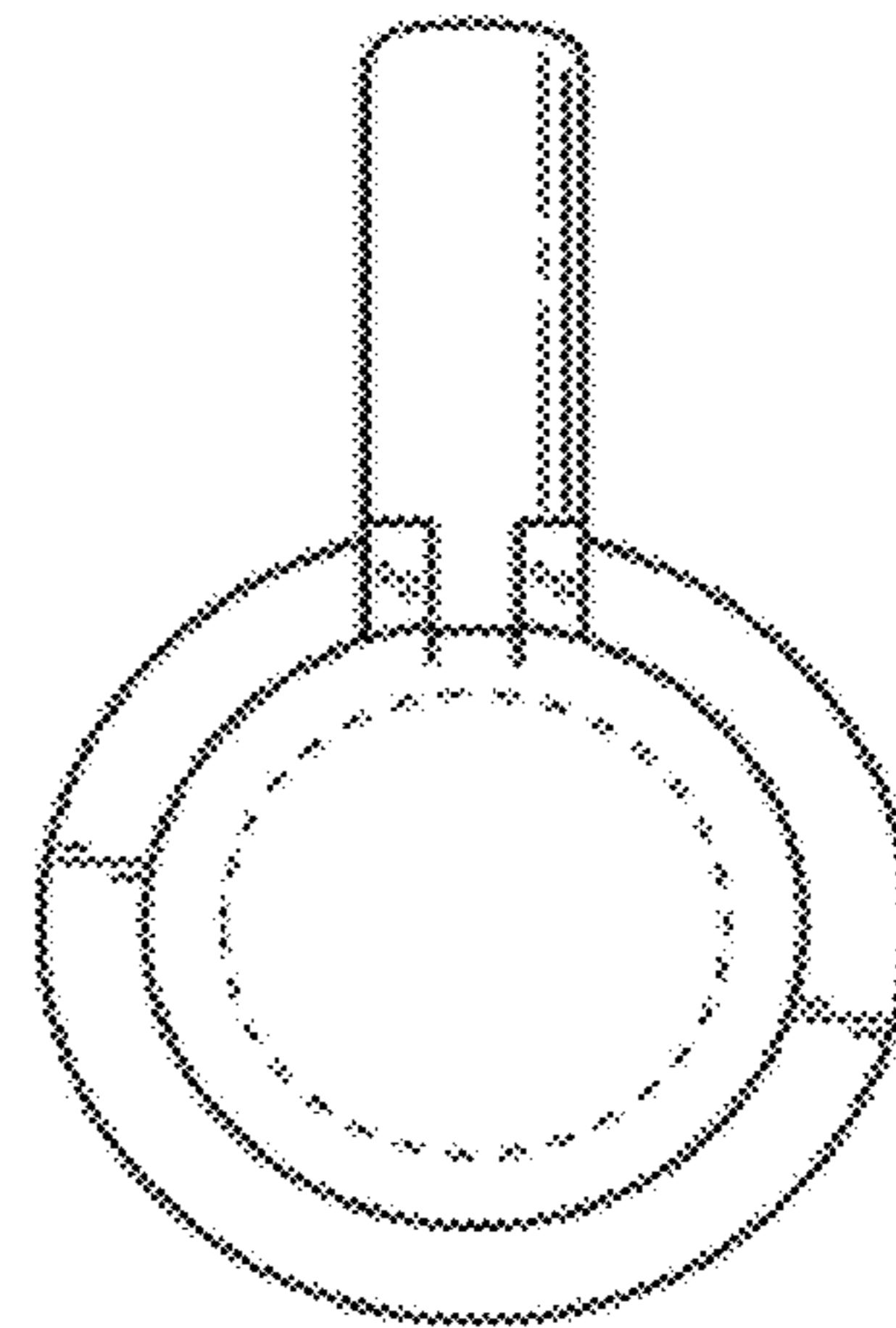


Fig. 6

UNITED STATES PATENT AND TRADEMARK OFFICE
CERTIFICATE OF CORRECTION

PATENT NO. : D658,986 S
APPLICATION NO. : 29/380768
DATED : May 8, 2012
INVENTOR(S) : Helmut Pauser

Page 1 of 1

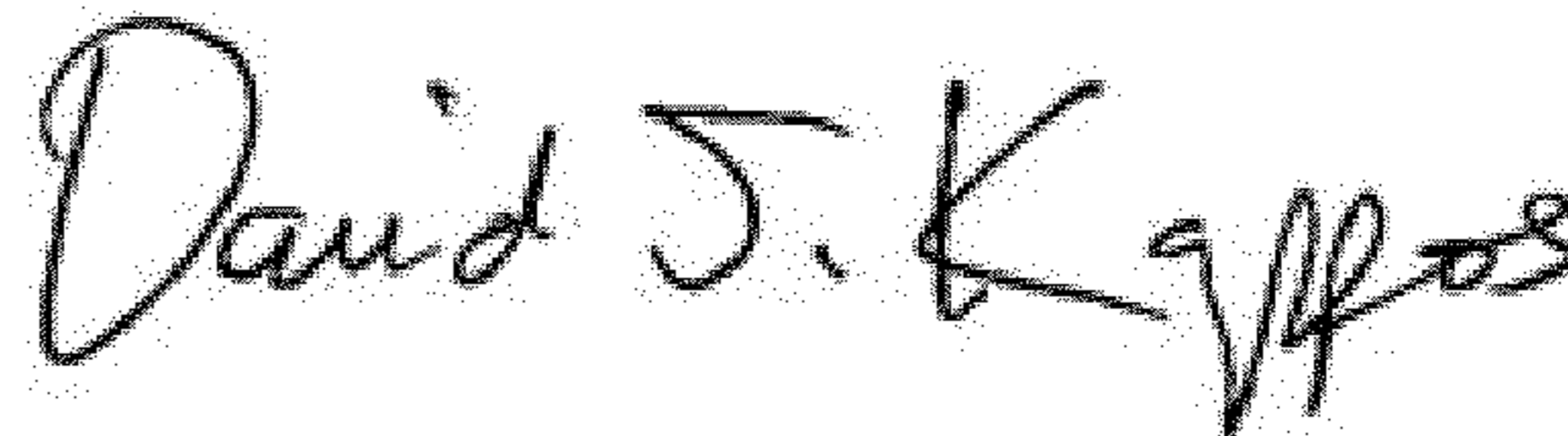
It is certified that error appears in the above-identified patent and that said Letters Patent is hereby corrected as shown below:

Title Page, Column 2 (Description)

Line 3

Delete "thereof" and insert -- thereof; --, therefor.

Signed and Sealed this
Fourth Day of September, 2012

A handwritten signature in black ink that reads "David J. Kappos". The signature is written in a cursive style with a large initial "D" and "K".

David J. Kappos
Director of the United States Patent and Trademark Office