



US00D658985S

(12) **United States Design Patent**
Sadykov et al.

(10) **Patent No.:** **US D658,985 S**
(45) **Date of Patent:** **** May 8, 2012**

(54) **WINE BOTTLE DÉCOR CAP**
(76) Inventors: **Gary Gennadiy Sadykov**, Forest Hills, NY (US); **Asya M. Almonte**, Forest Hills, NY (US)
(**) Term: **14 Years**
(21) Appl. No.: **29/383,502**
(22) Filed: **Jan. 19, 2011**
(51) **LOC (9) Cl.** **09-07**
(52) **U.S. Cl.** **D9/436; D9/454; D9/445**
(58) **Field of Classification Search** D9/695, D9/659, 529, 504, 503, 454, 452, 451, 445, D9/444, 443, 441, 439, 435; D8/310, 307, D8/7; D24/224, 222; D21/388, 389; 220/915, 220/376, 288, 212, 22; 215/329, 316, 228, 215/218, 200

D551,078 S 9/2007 Last
D553,498 S * 10/2007 Cooney D9/454
D561,585 S 2/2008 Philip et al.
D577,999 S 10/2008 Pivert
D587,581 S * 3/2009 DeMarco et al. D9/454
D604,162 S 11/2009 Navarro et al.
D615,417 S * 5/2010 Fallat et al. D9/695
D619,004 S * 7/2010 Fallat et al. D9/454
D622,142 S 8/2010 de France
D642,918 S * 8/2011 Taylor D9/453
D646,568 S * 10/2011 Heidel et al. D9/452

* cited by examiner

Primary Examiner — Susan Bennett Hattan
(74) *Attorney, Agent, or Firm* — QuickPatents, Inc.; Kevin Prince

See application file for complete search history.

(57) **CLAIM**
We claim the ornamental design for a wine bottle décor cap, as shown and described.

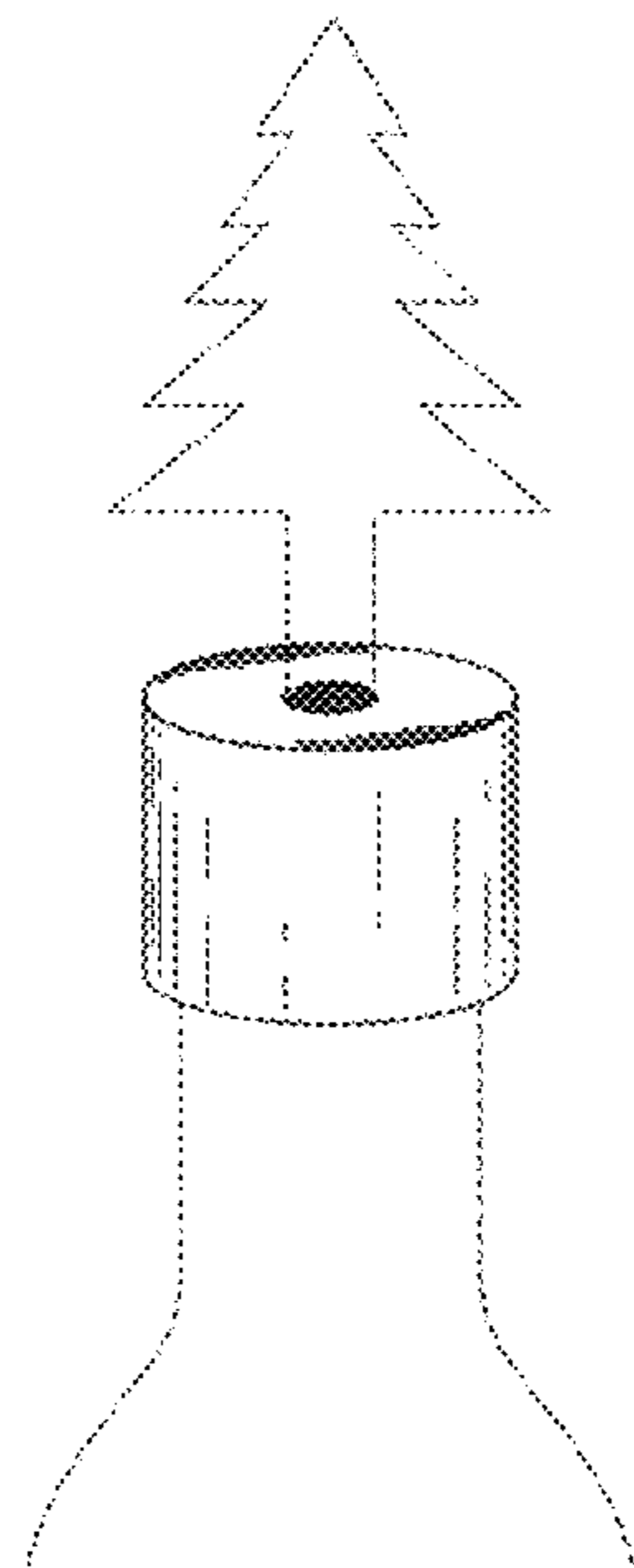
(56) **References Cited**

U.S. PATENT DOCUMENTS			
D1,258 S	6/1860	Pountney	
D128,935 S	6/1941	Derham et al.	
D128,934 S	8/1941	Derham	
D138,280 S	5/1944	Grunberg	
D141,003 S	4/1945	Derham	
D142,991 S	7/1945	Derham	
D145,028 S	6/1946	Morgenroth	
D257,230 S	10/1980	Plummer	
D333,639 S	3/1993	Matan	
D337,264 S	7/1993	Paglina	
D427,907 S	7/2000	Isbell	
D437,227 S	2/2001	Lee	
D513,986 S *	1/2006	Healy et al.	D9/445
D527,262 S *	8/2006	Cooney	D9/454
D536,968 S	2/2007	Keller	

DESCRIPTION

FIG. 1 is a perspective view of a wine bottle décor cap, showing the new design;
FIG. 2 is a front elevational view thereof, the rear elevational view, left-side elevational view, and right-side elevational view all being mirror images thereof;
FIG. 3 is a top plan view thereof;
FIG. 4 is a bottom plan view thereof; and,
FIG. 5 is a cross-sectional view thereof, taken generally along lines 5-5 of FIG. 3.
The broken lines showing a wine bottle and Christmas tree decoration in FIG. 1 are included for the purpose of illustrating the invention in use, and form no part of the claimed design.

1 Claim, 1 Drawing Sheet



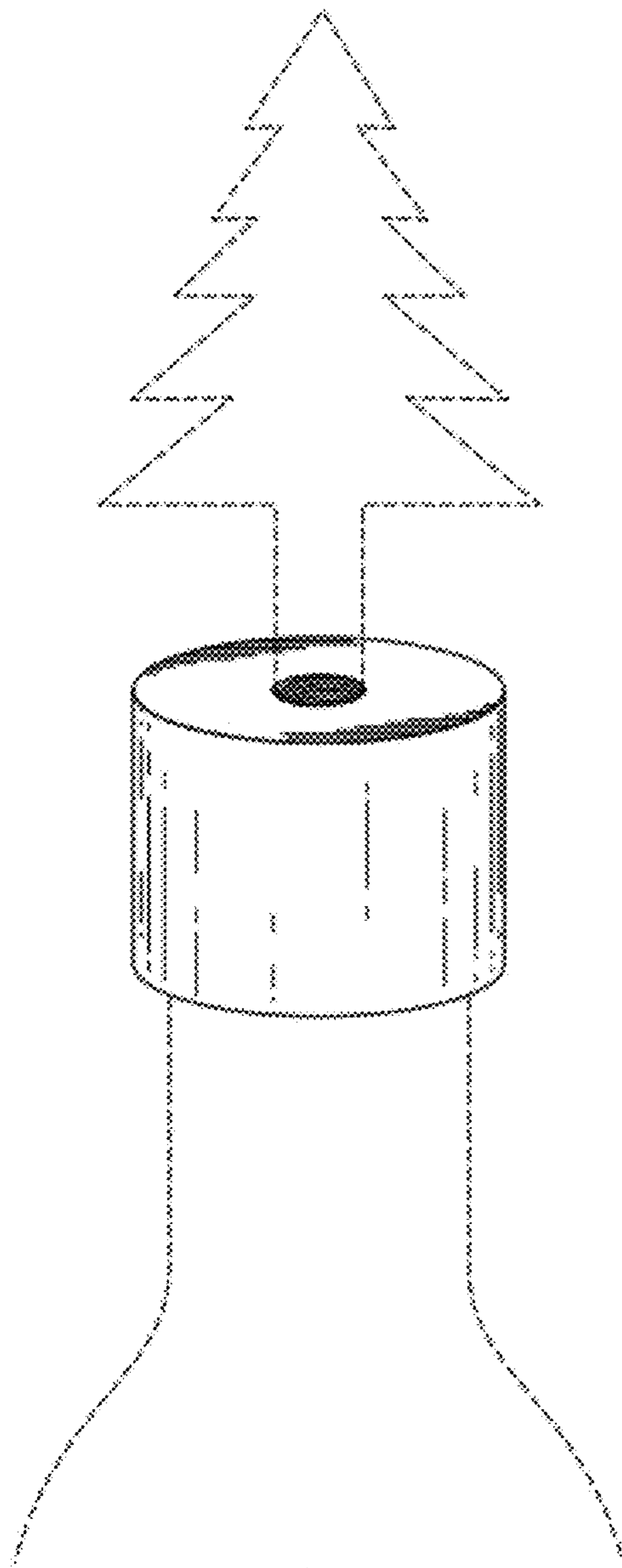


FIG. 1



FIG. 2

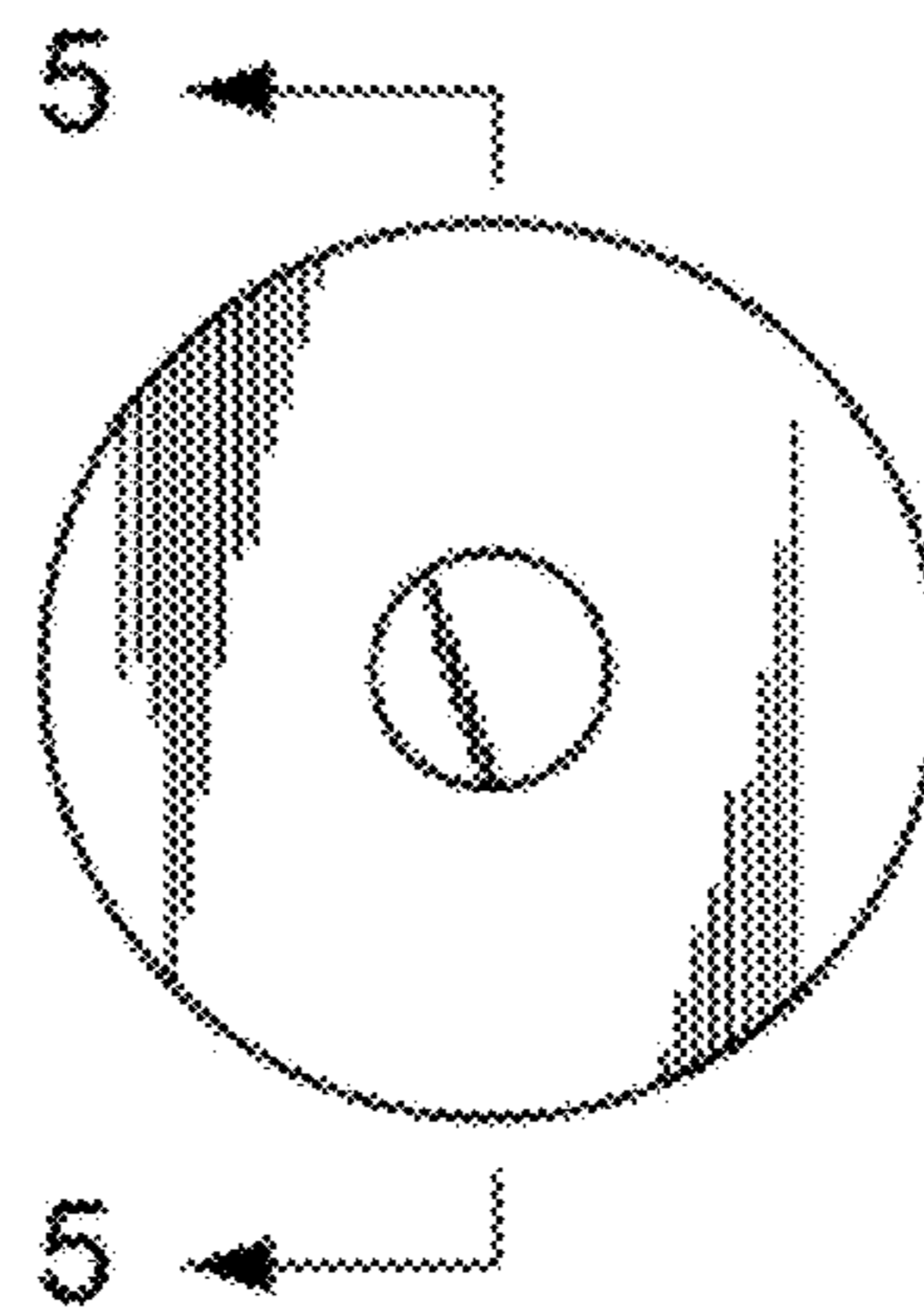


FIG. 3

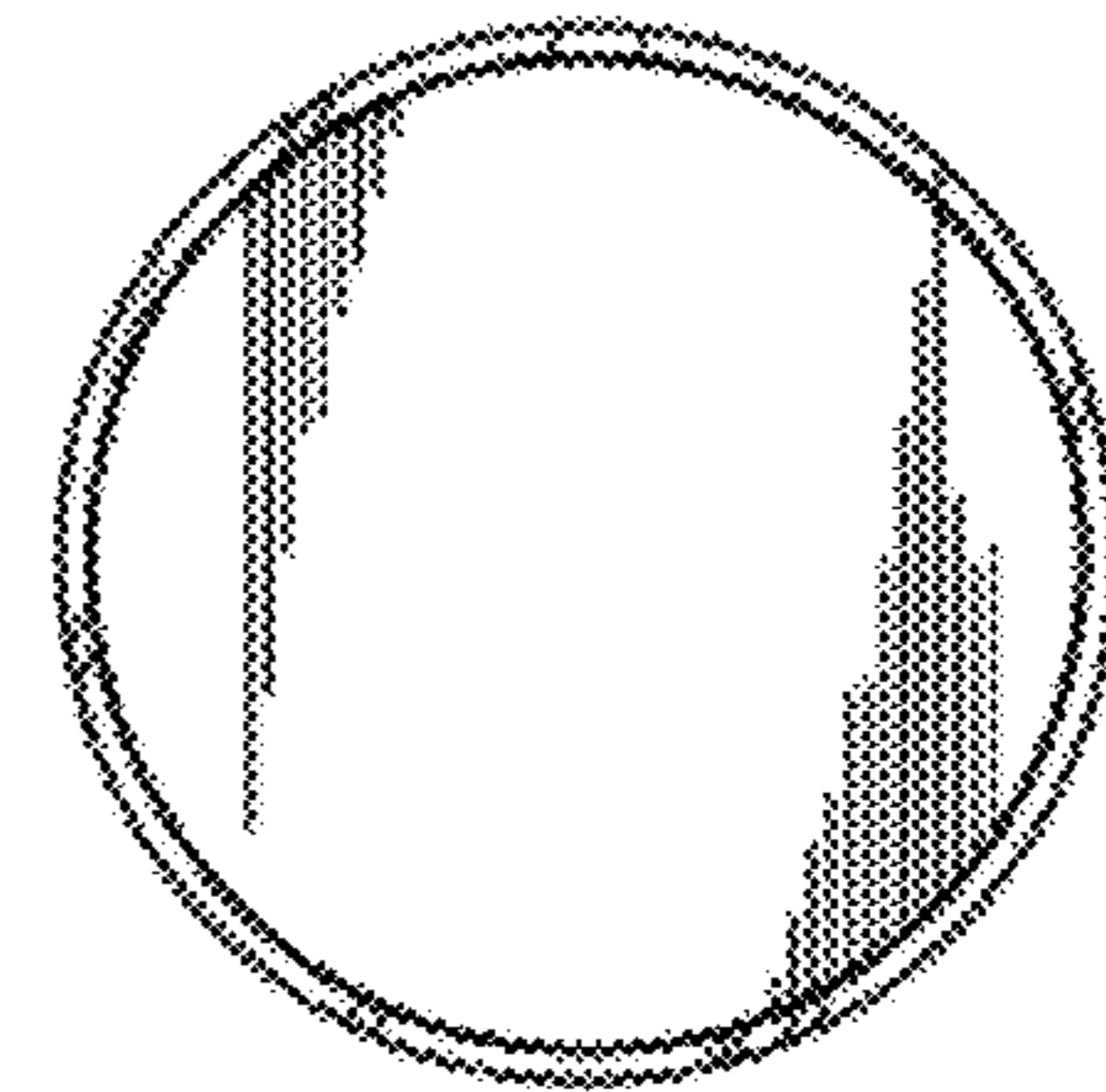


FIG. 4

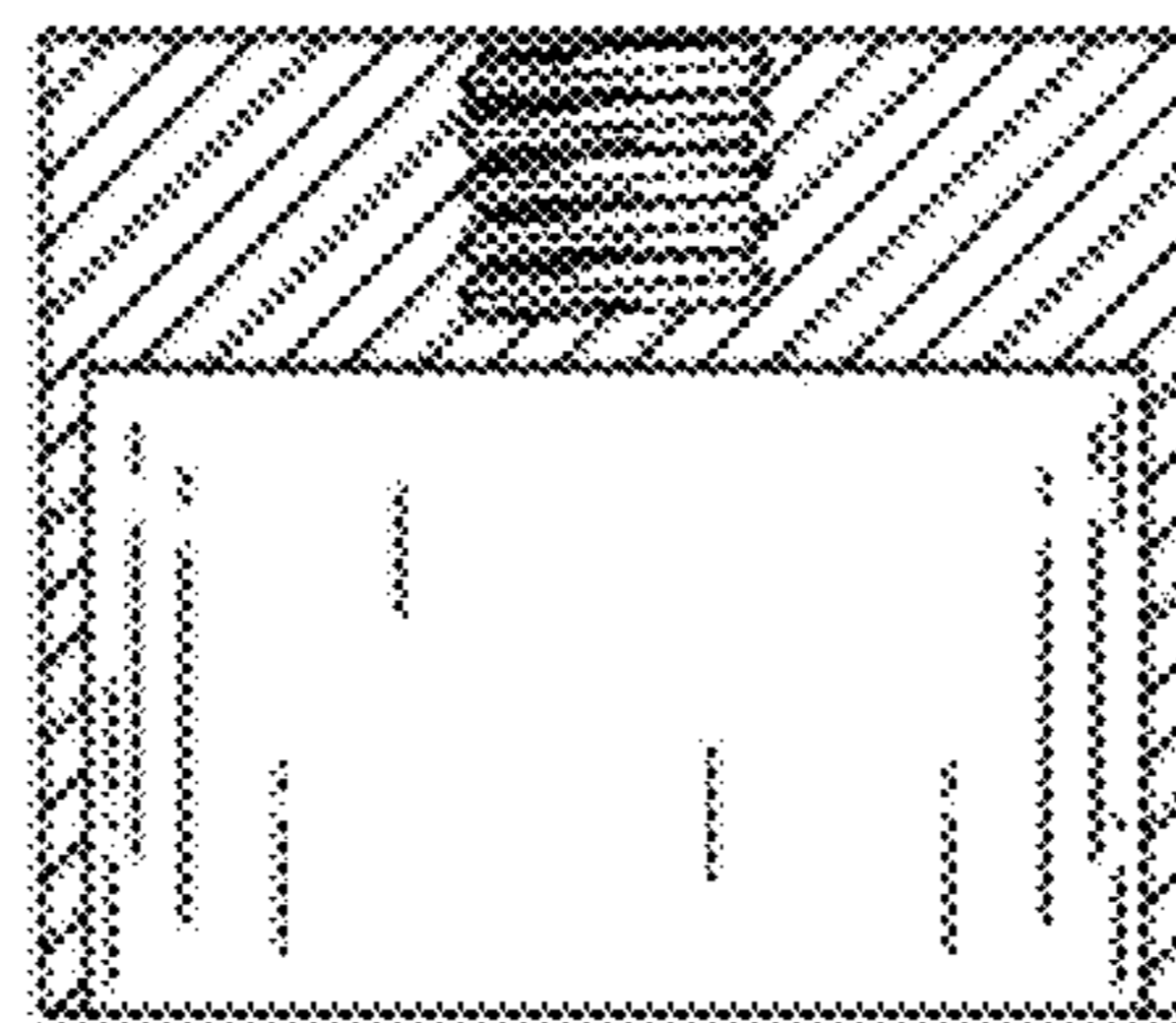


FIG. 5